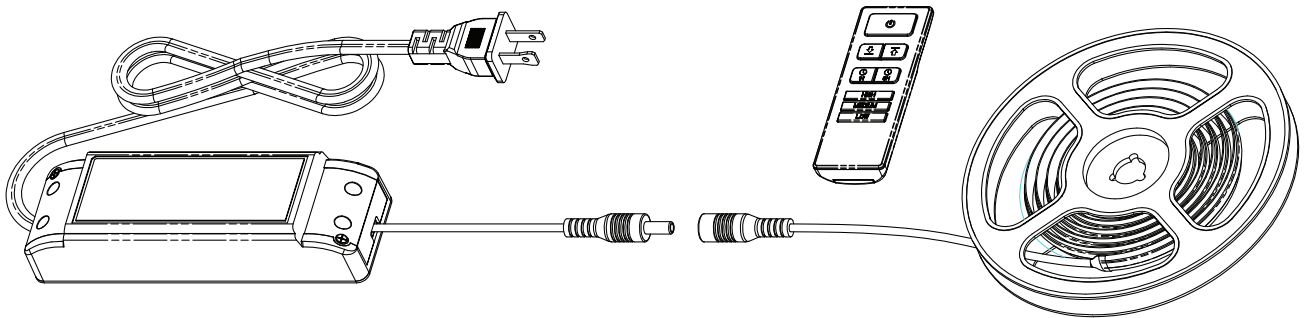


# USE AND CARE GUIDE

---

## 16FT LED SEAMLESS TAPE LIGHT WITH REMOTE



Questions, problems, missing parts? Before returning to the store,  
call Commercial Electric Customer Service  
8 a.m. - 7 p.m., EST, Monday - Friday,  
9 a.m. - 6 p.m., EST, Saturday

**1-877-527-0313**  
**HOMEDEPOT.COM**

---

**THANK YOU**

*We appreciate the trust and confidence you have placed in Commercial Electric through the purchase of this product. We strive to continually create quality products designed to enhance your home. Visit us online to see our full inventory of products available for your home improvement needs. Thank you for choosing Commercial Electric!*

# Table of Contents

Safety Information ..... 2  
 Warranty ..... 2  
 Pre-Installation ..... 3  
 Tool Required ..... 3  
 Hardware Included ..... 3  
 Tape Light Installation ..... 4-5  
 Remote Operation ..... 5-6  
 Care & Cleaning ..... 6  
 Troubleshooting ..... 6

# Safety Information

## For your safety, always remember to:

- Unplug from outlet before shortening, cutting or installing this product.
- Do not use an extension cord to supply power to the strip.
- Use indoors only.
- Do not stare directly at the light when illuminated.
- Always observe polarity for connections, positive (+) to positive and negative (-) to negative.
- This product is NOT a toy.
- To avoid damage, use only with the power supply provided.
- Do not open the product. Use only as intended.
- Do not roll up the product when using. Spread out to full length before connecting power supply.
- Do not operate if any component is damaged.

This fixture is designed for use in a circuit protected by a fuse or circuit breaker. It is also designed to be installed in accordance with local electrical codes. If you are unsure about your wiring, consult a qualified electrician or local electrical inspector, and check your local electrical code.


This portable luminaire has a polarized plug (one blade is wider than the other) as a feature to reduce the risk of electric shock. This plug will fit in a polarized outlet only one way. If the plug does not fit fully in the outlet, reverse the plug. If it still does not fit, contact a qualified electrician. Never use with an extension cord unless plug can be fully inserted. Do not alter the plug.

**Supplier's Declaration of Conformity:**  
 47 CFR § 2.1077 Compliance Information


**Responsible Party:**  
 Feit Electric Company  
 4901 Gregg Road,  
 Pico Rivera, CA 90660, USA  
 www.feit.com

**Unique Identifier:**  
 TAPE192/WCOB/HD

**FCC STATEMENT:** This device complies with part 15 of the FCC Rules. Operation is subject to the following two conditions: (1) This device may not cause harmful interference, and (2) this device must accept any interference received, including interference that may cause undesired operation. Note: This equipment has been tested and found to comply with the limits for a Class B digital device, pursuant to part 15 of the FCC Rules. These limits are designed to provide reasonable protection against harmful interference in a residential installation. This equipment generates, uses and can radiate radio frequency energy and, if not installed and used in accordance with the instructions, may cause harmful interference to radio communications. However, there is no guarantee that interference will not occur in a particular installation. If this equipment does cause harmful interference to radio or television reception, which can be determined by turning the equipment off and on, the user is encouraged to try to correct the interference by one or more of the following measures: Reorient or relocate the receiving antenna. Increase the separation between the equipment and receiver. Connect the equipment into an outlet on a circuit different from that to which the receiver is connected. Consult the dealer or an experienced radio/TV technician for help. Warning: Any changes or modifications not expressly approved by the manufacturer could void the user's authority to operate the equipment.



**WARNING: RISK OF SHOCK.** House electric current can cause painful shock or serious injury unless handled properly.



**WARNING: RISK OF FIRE.** Before installing your lighting fixture, thoroughly review enclosed installation manual. If you do not have sufficient electrical wiring experience, please refer to a do-it-yourself wiring handbook or have your fixture installed by a qualified licensed electrician. All electrical connections must be in accordance with Local and National Electrical Code (NEC) Standards. Reliable operating temperature is -13° F to 113° F (-25° C to 45° C).

# Radiation Exposure Statement

This device complies with FCC radiation exposure limits set forth for an uncontrolled environment.

# Limited Warranty

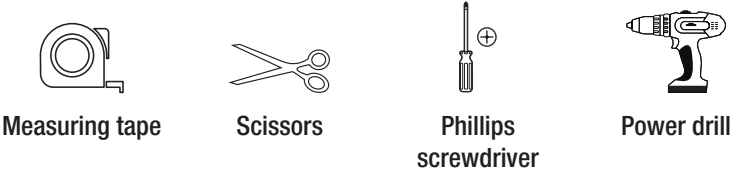
This product is warranted to be free from defects in workmanship and materials for up to 3 years from date of purchase. If it fails to do so, please contact the Customer Service Team at 1-877-527-0313 or visit [www.HomeDepot.com](http://www.HomeDepot.com).

# Pre-Installation

## PLANNING INSTALLATION

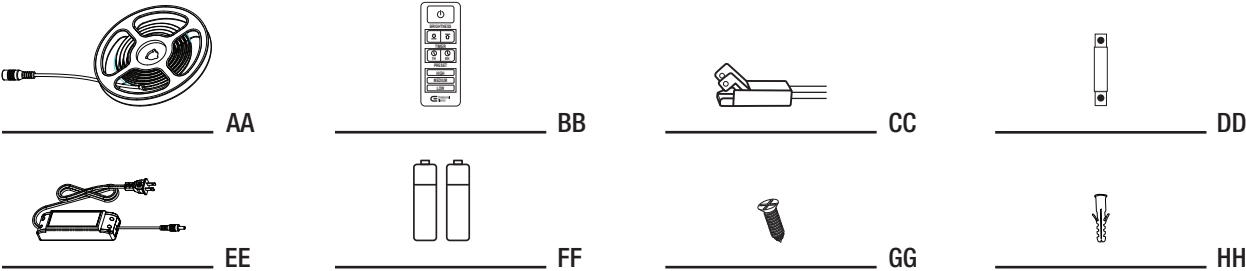
It is important to read these guidelines completely to understand how color changing LED tape lighting works. Ideal adhesive application temperature range is 60°F (15.6°C) to 100°F (38°C).

## TOOLS REQUIRED (NOT INCLUDED)



 **NOTE:** Hardware not shown to actual size.

## HARDWARE INCLUDED

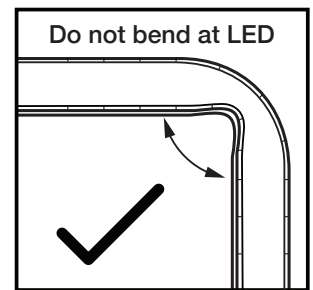


Part	Description	Quantity
AA	Tape Light	1
BB	Remote Control	1
CC	4in. Connectors	4
DD	Mounting Clips with Screws	9
EE	Power Adapter	1
FF	AAA batteries	2
GG	Power Supply Screw	2
HH	Wall Anchors	2

# Tape Light Installation

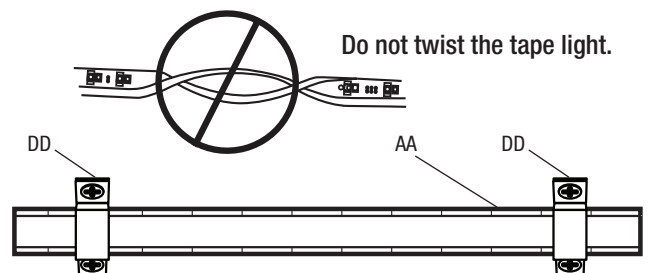
## 1 Prepare the Tape Light

- Measure the desired length before installation.
- Clean the mounting area thoroughly (surface must be free of dust, dirt or grease).
- Avoid bending the strip light which may damage the LEDs.
- Avoid removing and relaying the Strip Light multiple times as the adhesive may wear off.



## 2 Mount the Tape Light

- Peel adhesive tape from back of Strip Light to position and align strip light on mounting surface.
- Screw in mounting clips (DD) (required for all long term installations). Save two clips to use for installing the power supply (step 4).



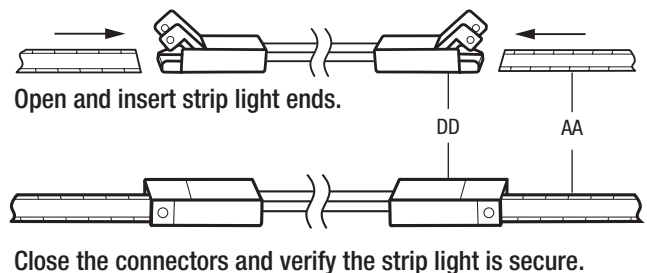
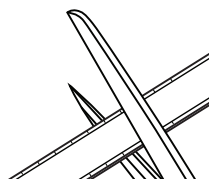
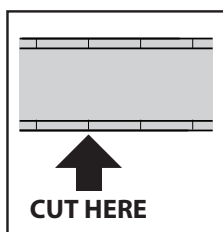
**NOTE:** Unroll strip light and place near mounting location. Ensure power supply and controller can reach the start of the strip light. Do not connect to power yet.



**IMPORTANT:** This strip light uses permanent tape and may cause surface damage if removed. Included attached adhesive tape not recommended for mounting on brick or concrete. For textured surfaces, other mounting tapes may be available. Please contact The Home Depot customer support.

## 3 Cutting the Tape Light

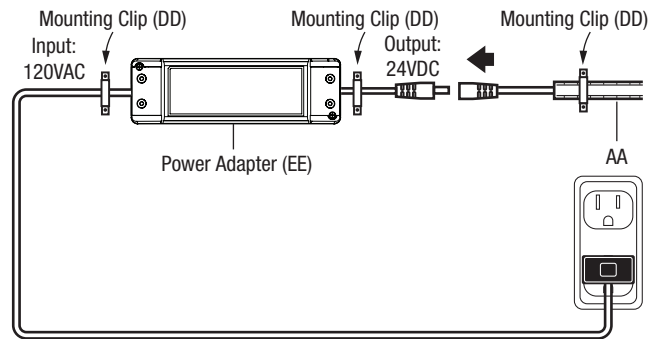
- Ensure the power supply is not plugged in at the wall outlet when mounting or cutting.
- Cut to length **ONLY** on the dashed line.
- Cutting at any other area will permanently damage the strip.
- Once cut, the portion of the strip light that will not connect to the controller can be disposed of in accordance with local recycling or waste regulations.
- Optional - Re-attach your LED strip light using the included connectors (CC).



## Tape Light Installation (continued)

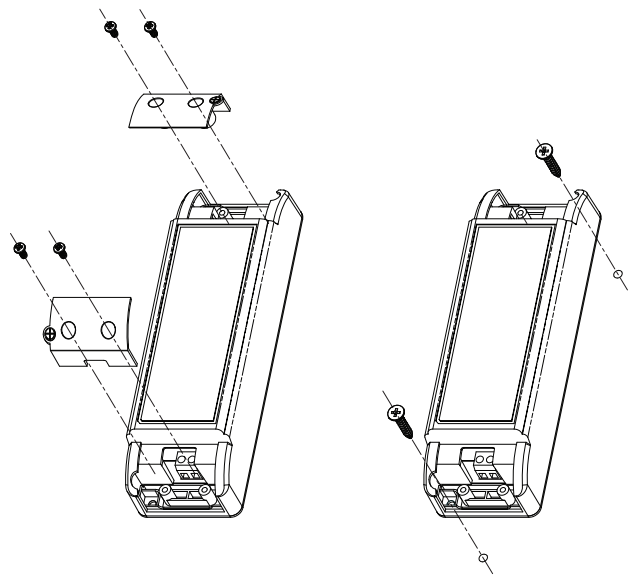
### 4 Installing the Power Supply

- Connect power supply to wall outlet.
- Always observe polarity for output connections, positive (+) to positive and negative (-) to negative.



### 5 Wall Mount Power Supply (Optional)

- Remove the top enclosure of power supply by removing the four screws.
- Use the Power supply screws (GG) for wall mount.
- If mounting on drywall, use the included anchors (HH).



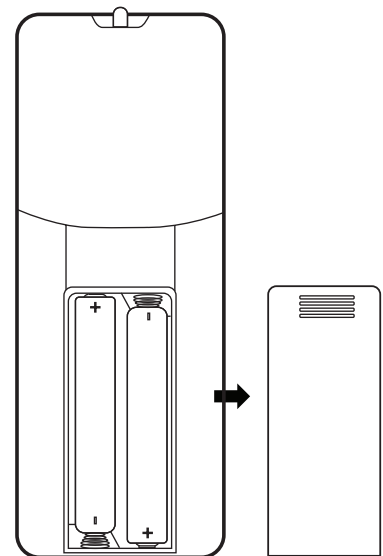
## Remote Operation

### 1 Installing the Batteries

- Remove the AAA batteries from the plastic wrap.
- Press the clip to release the battery cover.
- Place the AAA batteries into the compartment, aligning the positive end (+) with the corresponding symbol inside the compartment.
- Once the batteries are correctly installed, replace the battery compartment cover and test the remote.
- Do not mix old and new batteries.
- Do not mix alkaline, standard (carbon-zinc), or rechargeable (ni-cad, ni-mh, etc) batteries.



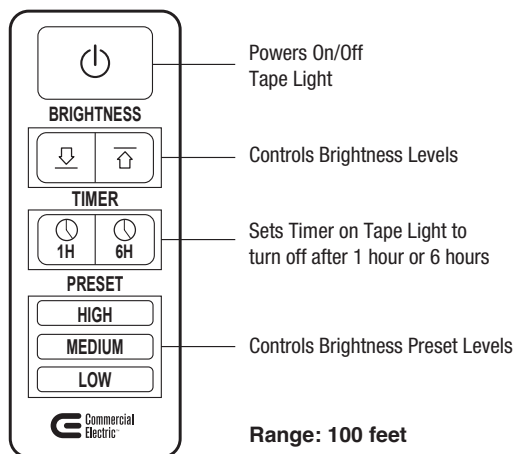
**NOTE:** Dispose of used (or excess) batteries in compliance with federal, state/provincial and local regulations. Do not accumulate large quantities of used batteries for disposal as accumulations could cause batteries to short circuit. Do not incinerate. Do not dispose of batteries in household trash.



## Remote Operation (continued)

### 2 Functions of the Remote

- The remote (CC) does not require line-of-sight to operate the lights.
- The remote can operate up to 100 feet in optimal conditions, but each installation has unique variables that may affect range.



### 3 Pairing the Tape Light

#### Pairing

- Unplug the power supply (AA) for the kit that is to be paired. Wait 5 seconds.
- Restore power to the power supply (AA), then within 10 seconds press and hold the power On button on the remote (CC).
- The lights will flash (3) times to indicate a successful pairing.
- This kit will now operate with the remote used in this procedure. Repeat as desired with other kits and remotes.

#### Unpairing

Each remote uniquely paired to a kit

- Unplug the power adapter (AA) for the kit that is to be paired. Wait 5 seconds.
- Restore power to the adapter (AA), then within 10 seconds press and hold the power On button on the remote (CC).
- The lights will flash six (6) times to indicate a successful unpairing.

## Care and Cleaning

- To clean the fixture, disconnect the power by unplugging the adapter. Use a dry or slightly dampened, clean cloth to wipe the exterior surface of the fixture.
- Do not use any cleaners with chemicals, harsh abrasives, or solvents. Use only a dry soft cloth to dust or wipe carefully.

## Troubleshooting

Problem	Possible Cause	Solution
The LED will not light.	The LED is burned out.	Discontinue use of the lamp.
	The power is off.	Ensure the power supply is turned on.
	The power cord is not plugged in.	Ensure the power cord is plugged into the outlet.
	The connector has faulty connections.	Check the connections of the connectors.
	The circuit breaker is turned off.	Ensure the circuit breaker is in the "ON" position.
The fuse blows or a circuit breaker trips when the light is turned on.	A wire is exposed.	<ul style="list-style-type: none"> <li>□ Discontinue use of the lamp.</li> <li>□ Unplug the unit vfrom the wall.</li> <li>□ Contact a qualified electrician or call the Customer Care Service Team at 1-877-527-0313, 8 a.m. - 7 p.m., EST, Monday - Friday, 9 a.m. - 6 p.m., EST, Saturday.</li> </ul>



Questions, problems, missing parts? Before returning to the store,  
call Commercial Electric Customer Service  
8 a.m. - 7 p.m., EST, Monday - Friday, 9 a.m. - 6 p.m., EST, Saturday

**1-877-527-0313**

**HOMEDEPOT.COM**

Retain this manual for future use.