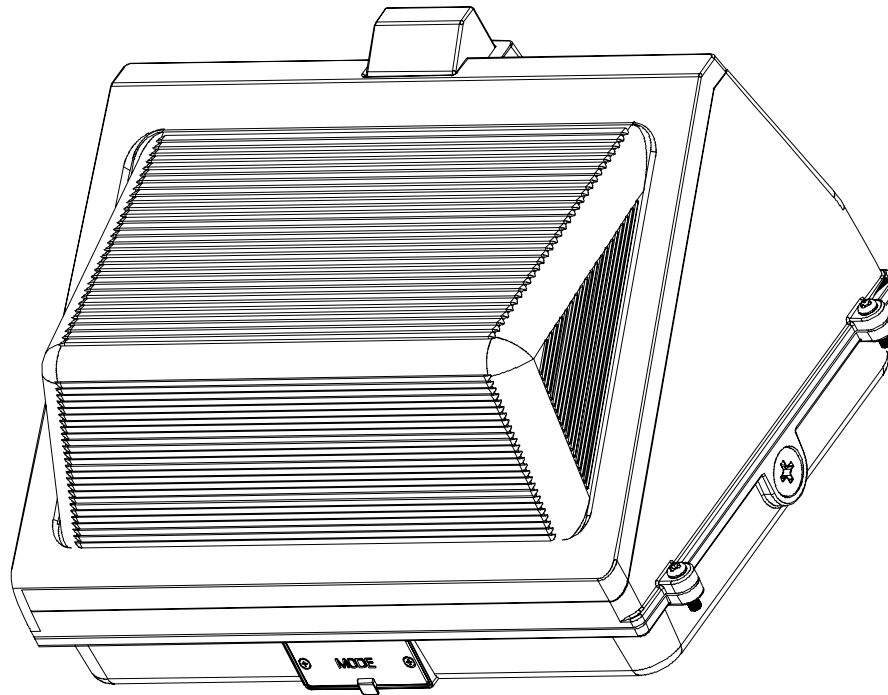


## USE AND CARE GUIDE

---

# OUTDOOR COMMERCIAL WALL LIGHT



**READ BEFORE INSTALLATION**  
**SAVE THESE INSTRUCTIONS**



---

**THANK YOU**

*We appreciate the trust and confidence you have placed in Feit Electric through the purchase of this LED yard light fixture. We strive to continually create quality products designed to enhance your home. Visit us online to see our full line of products available for your home improvement needs. Thank you for choosing Feit Electric!*

# Table of Contents

- Table of Contents ..... 2
- Safety Information ..... 2
- Care and Maintenance ..... 2
- Warranty ..... 2
- Pre-Installation ..... 3
  - Tools Required ..... 3
  - Hardware Included ..... 3
- Installation ..... 4-6
  - Wiring for a Standard Wall Switch ..... 7
  - Wiring for 0-10V Dimmer ..... 7
  - Lumen/Color Select Switch ..... 7
  - Troubleshooting ..... 8

**DUSK TO DAWN OPERATION:**

The light will turn on at dusk and remain on through the night until dawn. The light will remain off throughout the day, until dusk.

**NOTICE:** To make sure this function works properly, always keep the wall switch in the “ON” position (including daytime).

**NOTICE:** A sensor cover (GG) is provided which can be used to block out light and bypass the sensor. This will keep the light continuous on and fixture can be controlled to turn on/off through the wall switch or a master photocell.

# Safety Information

**For your safety, always remember to:**

- Turn off the power supply at the fuse or circuit breaker box before you install the fixture.
- Ground the fixture to avoid potential electric shock and to ensure reliable starting.
- Double-check all connections to be sure they are tight and correct.
- Wear rubber soled shoes and work on a sturdy wooden ladder.
- Account for small parts and destroy packing material, as these may be hazardous to children.

This fixture is designed for use in a circuit protected by a fuse or circuit breaker. It is also designed to be installed in accordance with local electrical codes. If you are unsure about your wiring, consult a qualified electrician or local electrical inspector, and check your local electrical code.

Account for small parts and destroy packing material, as these may be hazardous to children.

**NOTICE:** All electrical connections must be in accordance with local and National Electrical Code (N.E.C.) standards. If you are unfamiliar with proper electrical wiring connections obtain the services of a qualified electrician.


Remove the fixture and the mounting package from the box and make sure that no parts are missing by referencing the illustrations on the installation instructions.


**Product Specifications:**

- 120/277 VAC, 50/60Hz, 125W max
- Dimmable with 0-10V dimmer only
- Suitable for wet locations

 **WARNING: RISK OF SHOCK.** House electric current can cause painful shock or serious injury unless handled properly.

 **CAUTION:** Turn off the main power at the circuit breaker before installing the fixture, in order to prevent possible shock.

 **WARNING:** Changes or modifications to this unit not expressly approved by the party responsible for compliance could void the user’s authority to operate the equipment.

 **WARNING: RISK OF CUTS.** Some metal parts in the fixture may have sharp edges. To prevent cuts and scrapes, wear gloves when handling the parts.

**Supplier’s Declaration of Conformity:**  
47 CFR § 2.1077 Compliance Information  
**Responsible Party:**  
Feit Electric Company  
4901 Gregg Road,  
Pico Rivera, CA 90660, USA  
www.feit.com  
**Unique Identifier:**  
S13CWPK/MM/BZ

**FCC STATEMENT:** This device complies with part 15 of the FCC Rules. Operation is subject to the following two conditions: (1) This device may not cause harmful interference, and (2) this device must accept any interference received, including interference that may cause undesired operation. Note: This equipment has been tested and found to comply with the limits for a Class B digital device, pursuant to part 15 of the FCC Rules. These limits are designed to provide reasonable protection against harmful interference in a residential installation. This equipment generates, uses and can radiate radio frequency energy and, if not installed and used in accordance with the instructions, may cause harmful interference to radio communications. However, there is no guarantee that interference will not occur in a particular installation. If this equipment does cause harmful interference to radio or television reception, which can be determined by turning the equipment off and on, the user is encouraged to try to correct the interference by one or more of the following measures: Reorient or relocate the receiving antenna. Increase the separation between the equipment and receiver. Connect the equipment into an outlet on a circuit different from that to which the receiver is connected. Consult the dealer or an experienced radio/TV technician for help. Any changes or modifications not expressly approved by the manufacturer could void the user’s authority to operate the equipment. CAN ICES-005 (B)

This device complies with FCC radiation exposure limits set forth for an uncontrolled environment. This device should be installed and operated with a minimum distance of 20cm between the radiator and your body. Any changes or modifications not expressly approved by the manufacturer could void the user’s authority to operate the equipment.

# Care and Maintenance

Periodically clean the fixture and diffuser using a mild, non-abrasive cleaner and soft cloth. When cleaning the fixture, make sure the power is turned off. Do not spray cleaner directly onto any part of the fixture or LEDs.

# ISED STATEMENT

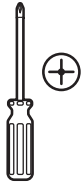
This device complies with Industry Canada’s license-exempt RSSs. Operation is subject to the following two conditions: (1) This device may not cause interference; and (2) This device must accept any interference, including interference that may cause undesired operation of the device.

# Limited Warranty

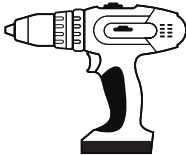
This product is warranted to be free from defects in workmanship and materials for up to 5 years from date of purchase. If the product fails within the warranty period, please contact Feit Electric at info@feit.com, visit [feit.com/contact-us](http://feit.com/contact-us) or call 1-866-326-BULB (2852) for instructions on replacement or refund. **REPLACEMENT OR REFUND IS YOUR SOLE REMEDY. EXCEPT TO THE EXTENT PROHIBITED BY APPLICABLE LAW, ANY IMPLIED WARRANTIES ARE LIMITED IN DURATION TO THE DURATION OF THIS WARRANTY. LIABILITY FOR INCIDENTAL OR CONSEQUENTIAL DAMAGES IS HEREBY EXPRESSLY EXCLUDED.** Some states and provinces do not allow the exclusion of incidental or consequential damages, so the above limitation or exclusion may not apply to you. This warranty gives you specific legal rights, and you may also have other rights which vary from state to state or province to province.

# Pre-Installation

## TOOLS REQUIRED (NOT INCLUDED)




Phillips screwdriver



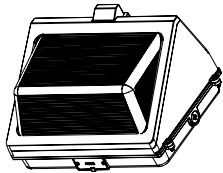
Drill



1/4 in. Drill bit

 **NOTE:** Hardware not shown to actual size.

## HARDWARE INCLUDED



AA



BB



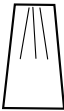
CC



DD



EE



FF



GG

Part	Description	Quantity
AA	Wall Light	1
BB	Front Cover Screws	2
CC	Wall Mounting Screws	4
DD	J-Box Mounting Screws	3
EE	Plastic Anchors	4
FF	Wire Connectors	5
GG	Sensor Cover	1

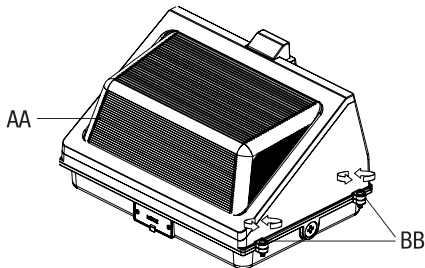
# Wall Mount Installation

## 1 Turning Off the Power

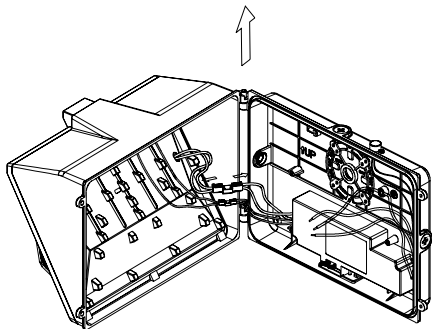
Turn the power OFF at the wall switch, fusebox or the circuit breaker.

## 2 Remove the Front Cover

Open the Wall Light (AA) by unscrewing the Front Cover Screws (BB) using a phillips screwdriver (not provided).

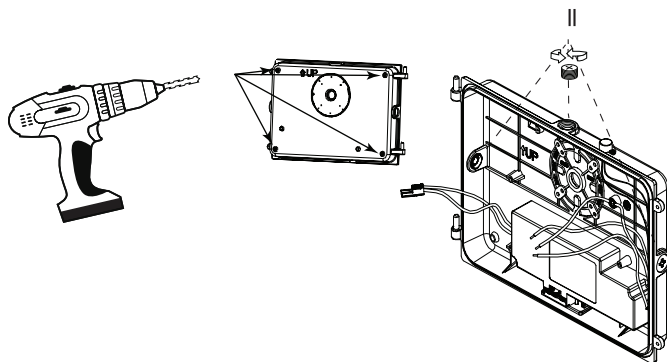


Remove the Front Cover from the Back Plate by disconnecting the quick connect wires and sliding the Front Cover in an upward direction.



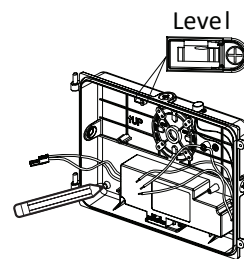
## 3 Prep the Back Plate

Drill 4 holes from the outside surface on the Back Plate using a 1/4 in. drill bit as indicated. Select the desired conduit location and remove the appropriate 1/2 inch plug (II).

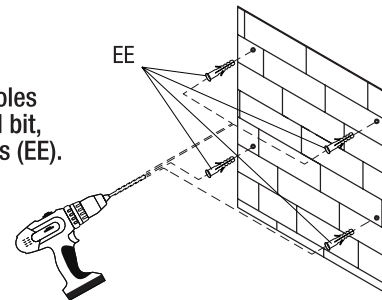


## 4 Affix Back Plate to Wall

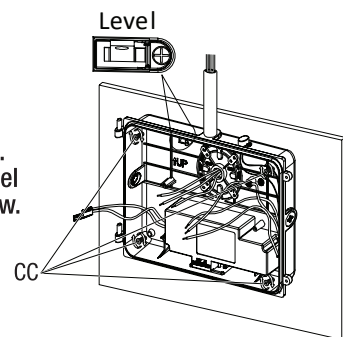
Using the Back Plate as a guide, mark the position on the wall where the Anchors will be placed. Before marking the screw position, straighten with the integrated horizontal level.



Drill the marked holes using a 1/4 in. drill bit, then insert Anchors (EE).



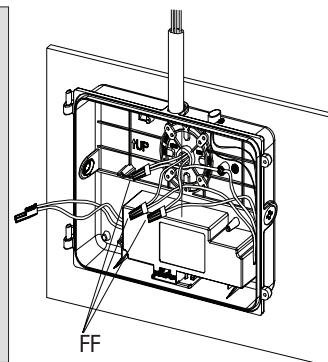
Affix Back Plate to Anchors using Wall Mounting Screws (CC). Observe horizontal level before tightening screw.



## 5 Connect the Power Supply Wires

Feed the power supply wires through the desired conduit inlet on the Back Plate. Using Wire Connectors (FF), connect wires coming from the LED driver on the Back Plate to the power supply wires: See wiring diagram A or diagram B on page 7.

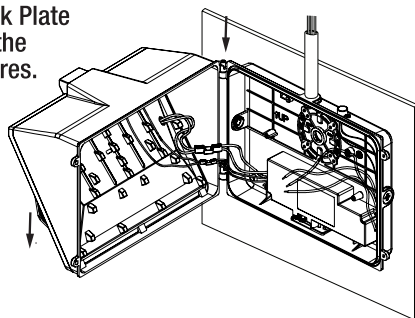
**NOTE:** Purple and Pink wires to be used with 0-10V dimmers only (purple +10V, pink -10V).  
Purple (+10V) - Purple from dimmer  
Pink (-10V) - Pink from dimmer.  
See wiring diagram B.



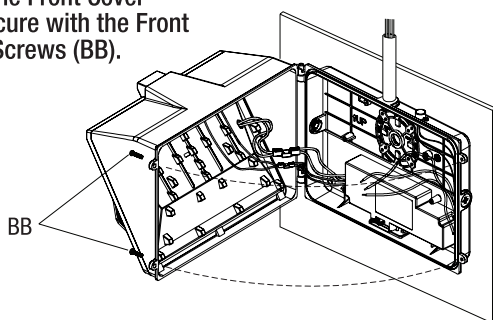
## Wall Mount Installation (continued)

### 6 Re-Attach the Front Cover

Re-attach the Front Cover to the Back Plate and re-connect the quick release wires.



Close the Front Cover and secure with the Front Cover Screws (BB).



### 7 Apply Sealant

Once the fixture is tightly secured to the wall, apply silicone sealant around the base of the fixture to prevent moisture from reaching the connections.

### 8 Turn Power On

Turn power back on at the wall switch, circuit breaker or fusebox.

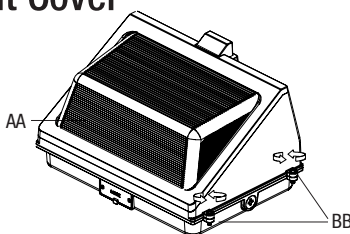
## Flush Mount Installation

### 1 Turning Off the Power

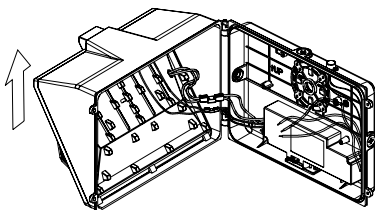
Turn the power OFF at the wall switch, fusebox or the circuit breaker.

### 2 Remove the Front Cover

Open the Wall Light (AA) by unscrewing the Front Cover Screws (BB) using a phillips screwdriver (not provided).

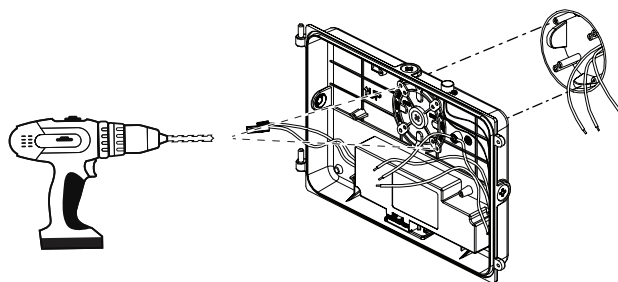


Remove the Front Cover from the Back Plate by disconnecting the quick connect wires and sliding the Front Cover in an upward direction.



### 3 Prep the Back Plate

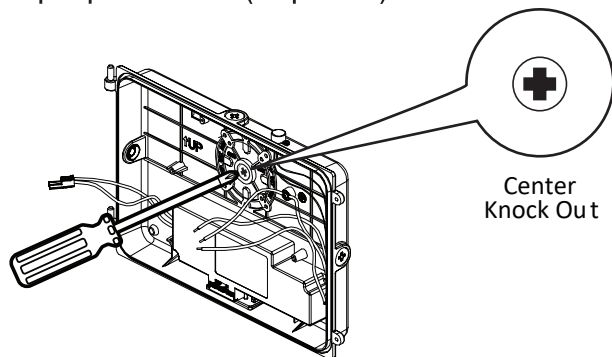
Drill 2 holes using a 1/4 in. drill bit on the universal knockouts on the Back Plate needed to install on your J-Box.



## Flush Mount Installation (continued)

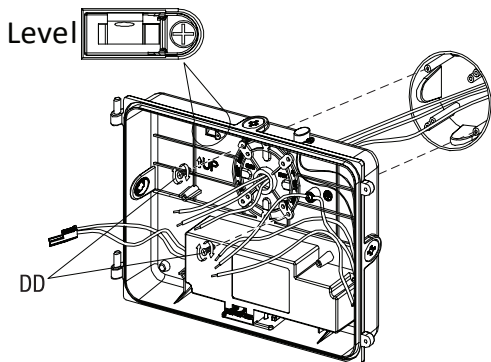
### 4 Remove the Center Knockout

Remove the knock out on the Back Plate by using a phillips screwdriver (not provided).



### 5 Connect the Power Supply Wires

Feed the power supply wires through the knockout hole and mount the Back Plate to the J-Box using the J-Box Mounting Screws (DD). Observe horizontal level before tightening screw.



Using Wire Connectors (FF), connect wires coming from the LED driver on the Back Plate to the power supply wires:  
See wiring diagram A or diagram B on page 7.

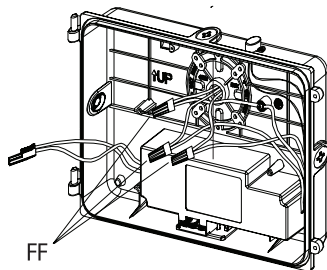


**NOTE:** Purple and Pink wires to be used with 0-10V dimmers only (purple +10V, pink -10V).

Purple (+10V) - Purple from dimmer

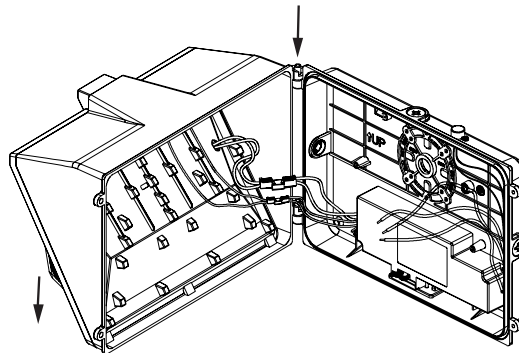
Pink (-10V) - Pink from dimmer.

See wiring diagram B.

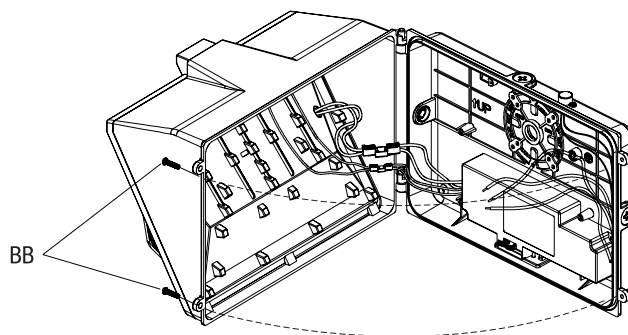


### 6 Re-Attach the Front Cover

Re-attach the Front Cover to the Back Plate and re-connect the quick release wires.



Close the Front Cover and secure with the Front Cover Screws (BB).



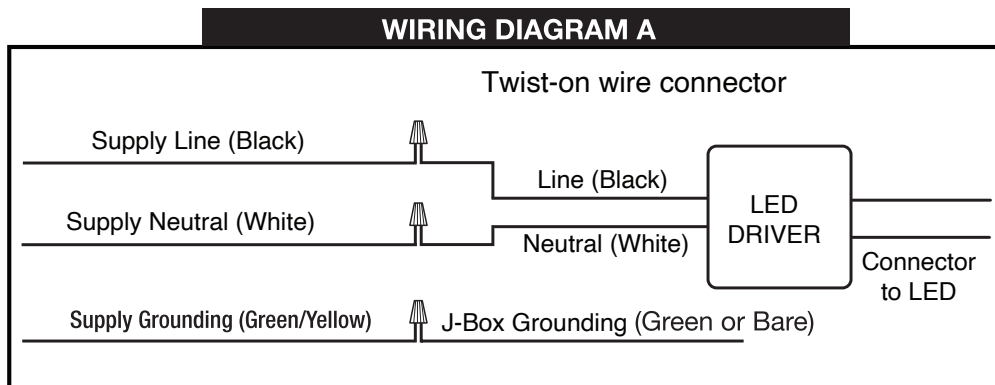
### 7 Apply Sealant

Once the fixture is tightly secured to the wall, apply silicone sealant around the base of the fixture to prevent moisture from reaching the connections.

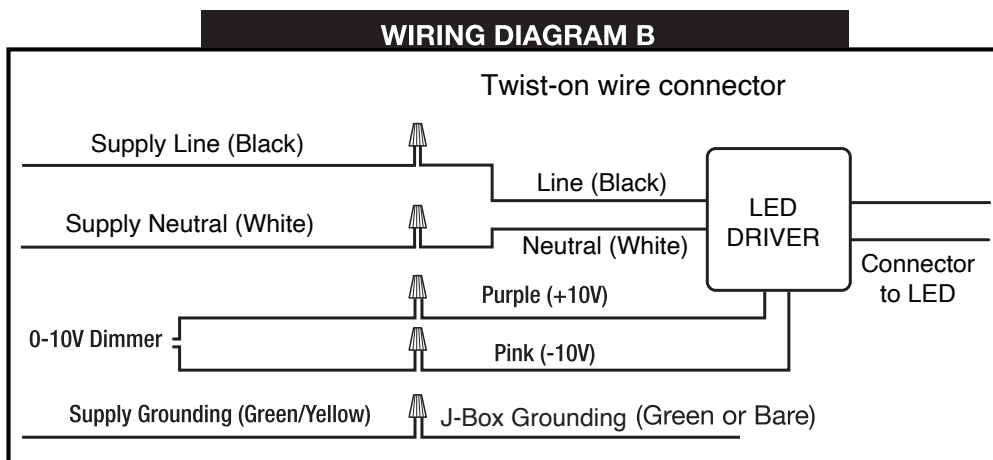
### 8 Turn Power On

Turn power back on at the wall switch, circuit breaker or fusebox.

# Wiring for a Standard Wall Switch



# Wiring for 0-10V Dimmer



# Operation

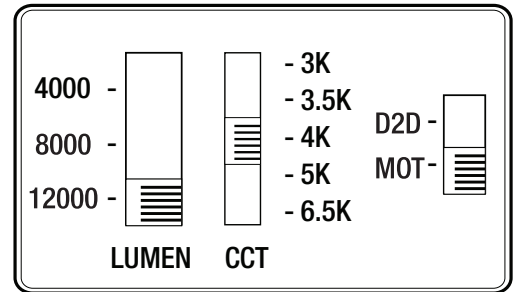
## Lumen Switch

Select the brightness: 4000, 8000 or 12000 lumens

## CCT Switch

Slide the Color Temperature switch to point to either 3K, 3.5K, 4K, 5K, 6.5K.

- 3K (3000K) – Soft White
- 3.5K (3500K) – Neutral White
- 4K (4000K) – Bright White
- 5K (5000K) – Daylight
- 6.5K (6500K) – Daylight Deluxe



## D2D/MOT Switch

D2D – Motion detection is disabled. Light will remain off during the day and automatically turn on at dusk.



**NOTE:** A Dust-To-Dawn Sensor Cover is provided to block out light and bypass the sensor. This will keep the light on continuously and the fixture can be controlled through the wall switch or a master photocell.

MOT – Motion sensor is activated. Light will turn on for 10 minutes when motion is detected. During this time, brightness will be at 100% and will drop to 30% of the selected lumen if no motion is detected.

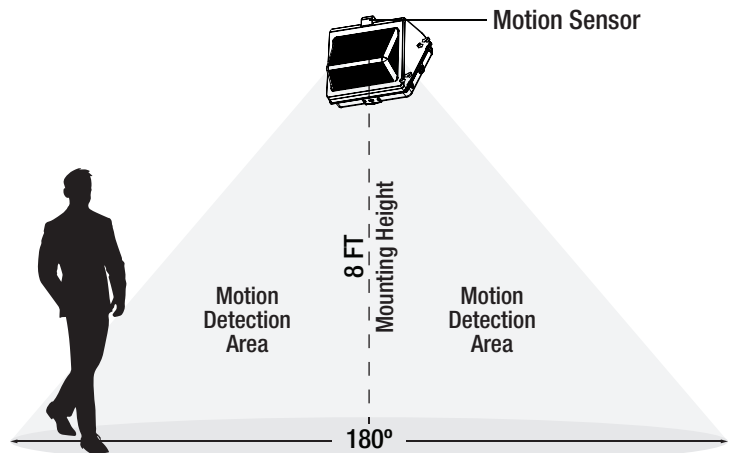


**NOTE:** There will be a warmup time for about 10 seconds when first powered up. Brightness will be at 100% and will then drop to 30% after the warmup time. Brightness will go to 100% once motion is detected.



**NOTE:** The 180-degree coverage of the motion sensor is measured side-to-side. The sensor will detect motion across the field of view (see below image). The motion sensor maximum detection range is up to 60 ft.

Motion Detection Distance at Mounting Heights:  
8ft: Maximum detection range is up to 60ft.  
15ft: Maximum detection range is up to 52ft.  
20ft: Maximum detection range is up to 40ft





## Troubleshooting

<b>Problem</b>	<b>Possible Cause</b>	<b>Solution</b>
The light will not illuminate.	The power is off.	Make sure the power supply is on.
	There is a faulty wire connection.	Check the wiring. Contact a qualified and licensed electrician if you are not comfortable troubleshooting wiring problems.
	There is a faulty wire switch.	Test or replace the switch.
The light does not automatically turn off during daylight hours.	The photocell is covered.	<ol style="list-style-type: none"><li>1. Remove any debris and clean the photosensor.</li><li>2. Remove sensor cover</li></ol>
Security light cycles ON and OFF continuously	Dusk-to-Dawn sensor is sensing reflected light from the security light or other surrounding light source.	<ol style="list-style-type: none"><li>1. Ensure no reflective materials are near to the wall pack.</li><li>2. Relocate the LED Wall Pack to a different location where it no longer causes reflected light.</li></ol>
Light will not dim to 30%	Switch is positioned in the D2D mode.	Position switch to the MOT mode