

Feit Electric company Inc.

## Declaration of Product Modifications

Date: 2024-9-26

This is to request a Class II permissive change for FCC ID: SYW-S135FLMM originally granted on 05/15/2024.

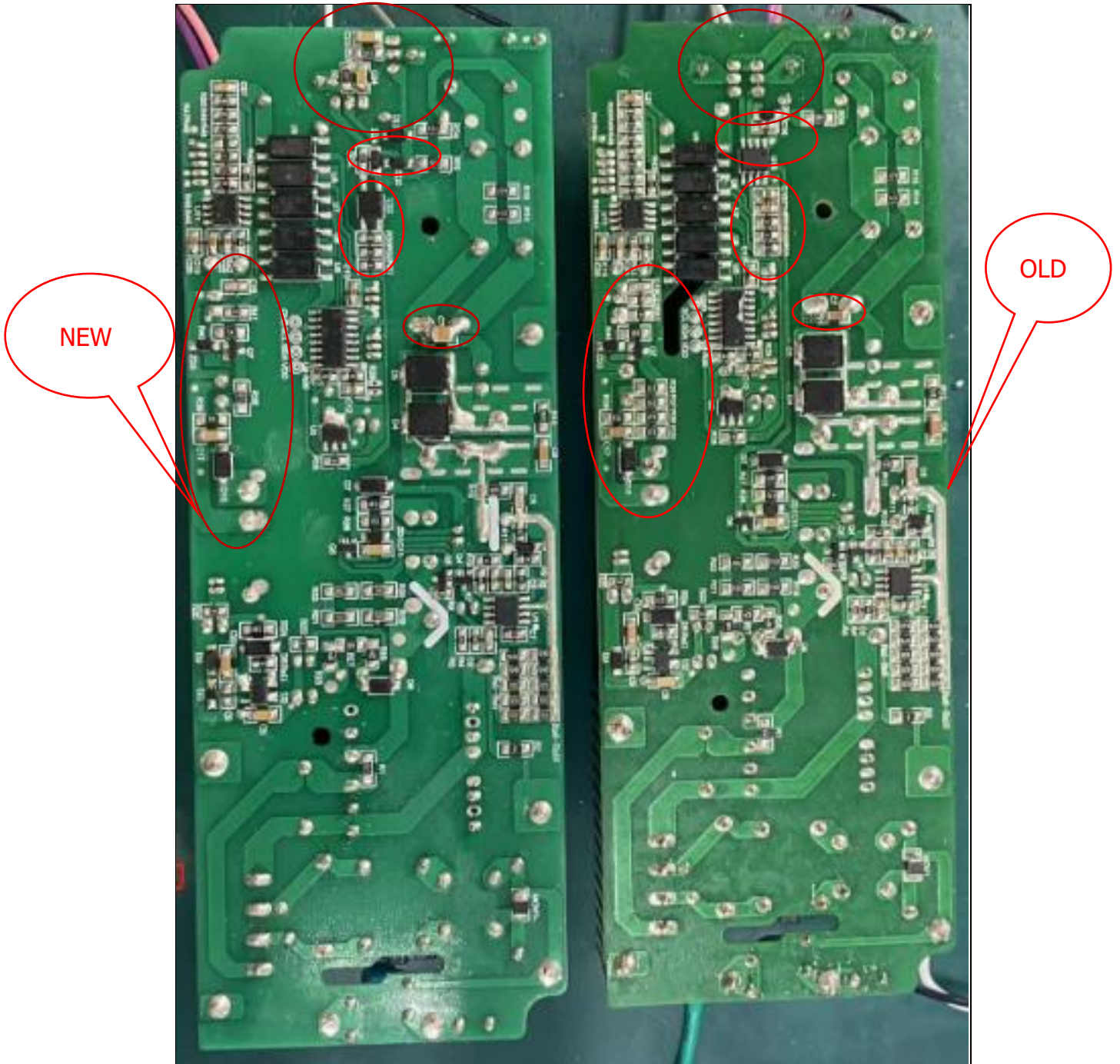
The major change filed under this application is:

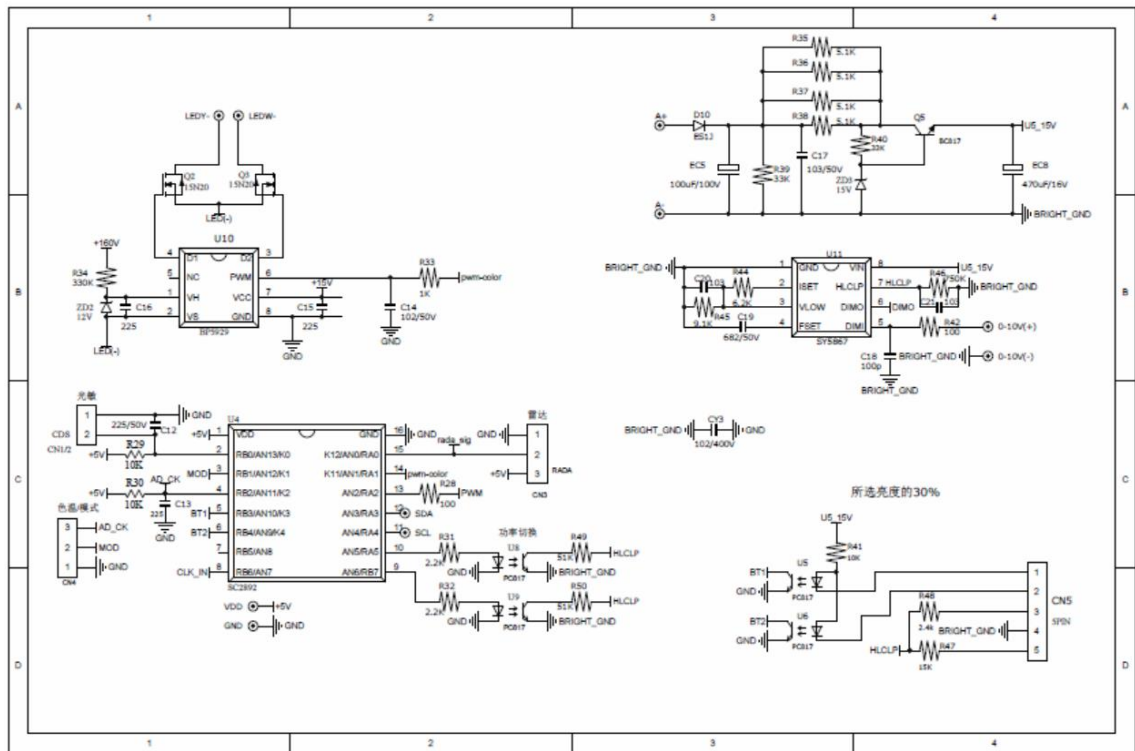
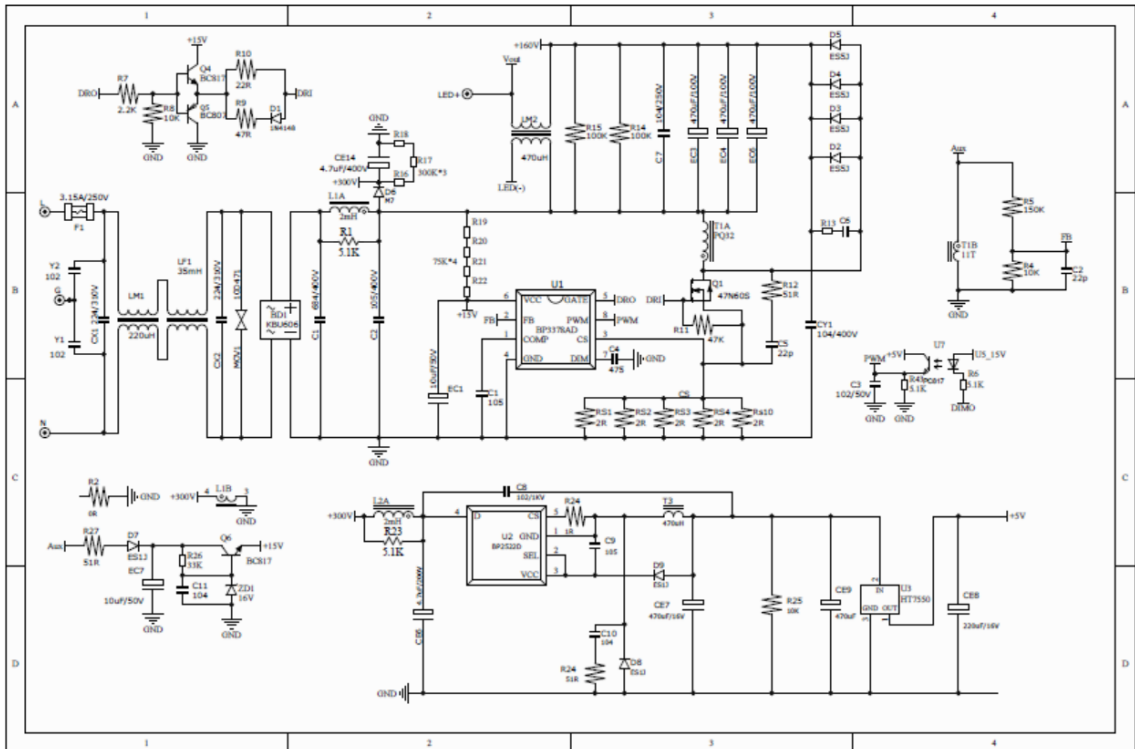
Change #1: Add Model No:

Original Model No: S13.5FLMMBKHDCAN, S13.5FL/MM/BZ,  
TF1180/15000DM/83065LEDC/P180MW/5WY-DTZ

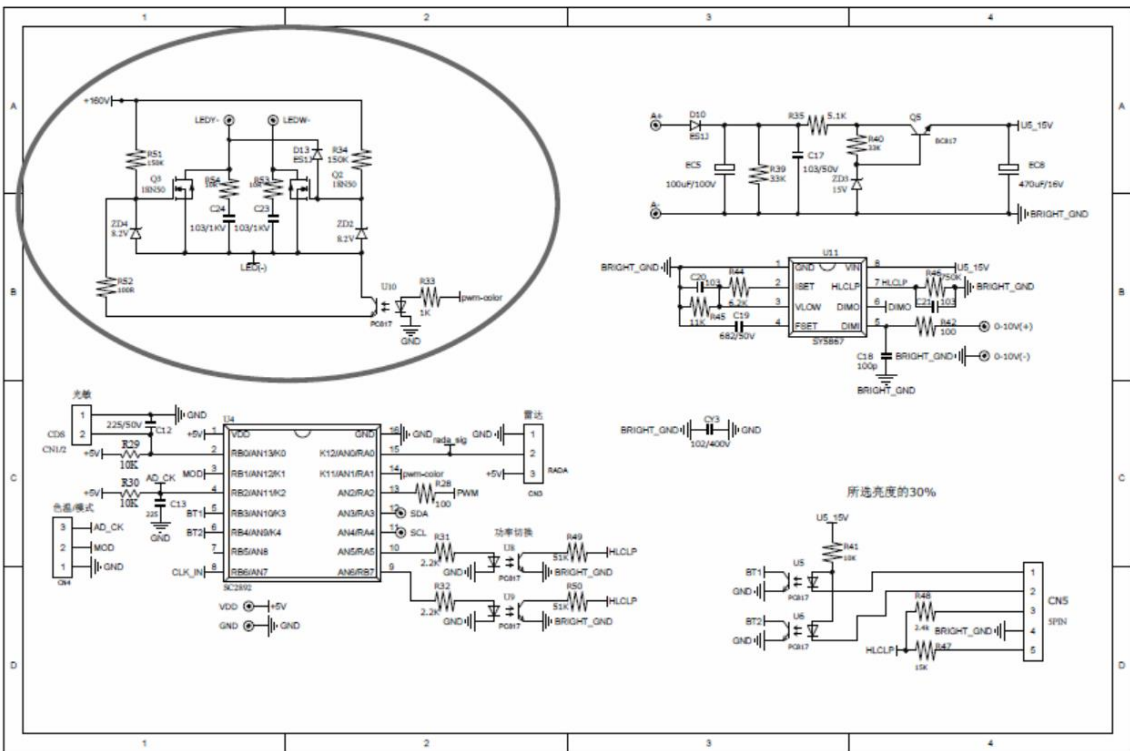
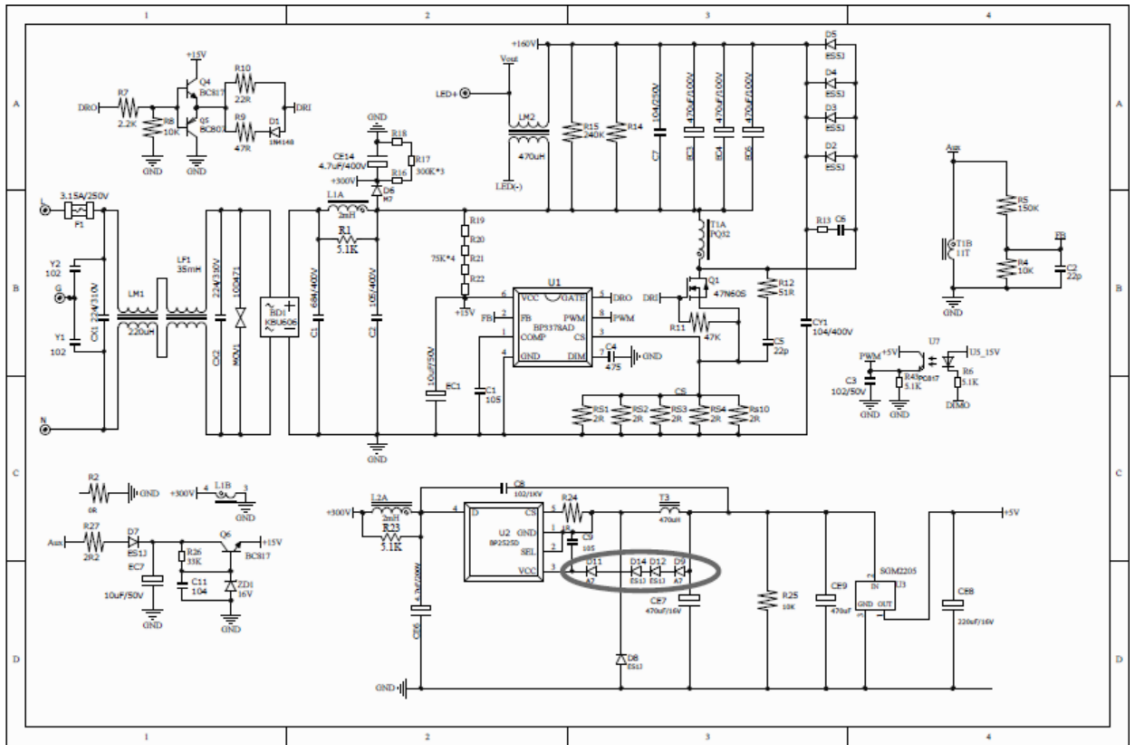
New Model No: S13.5FLMMBKHDCAN, S13.5FL/MM/BZ,  
TF1180/15000DM/83065LEDC/P180MW/5WY-DTZ  
TF1180/15000DM/83065LEDC/P180MW/5WYG2-DTB;  
TF1180/15000DM/83065LEDC/P180MW/5WYG2-DTZ

#2: The difference between the new and old power supply boards: the patch resistance of 100r is more than r52, the patch resistance of 10r is more, the Bp5929 is changed to a photocouple, and a diode is added, RF parameters are not affected.





OLD SCH



NEW SCH:

Sincerely,

*(Signature)*

A handwritten signature in black ink that appears to read "Aaron".

Name Surname: Aaron Feit

Position: President

Company: Feit Electric company Inc.

Postal Address: 4901 Gregg Road Pico Rivera, Ca 90660