



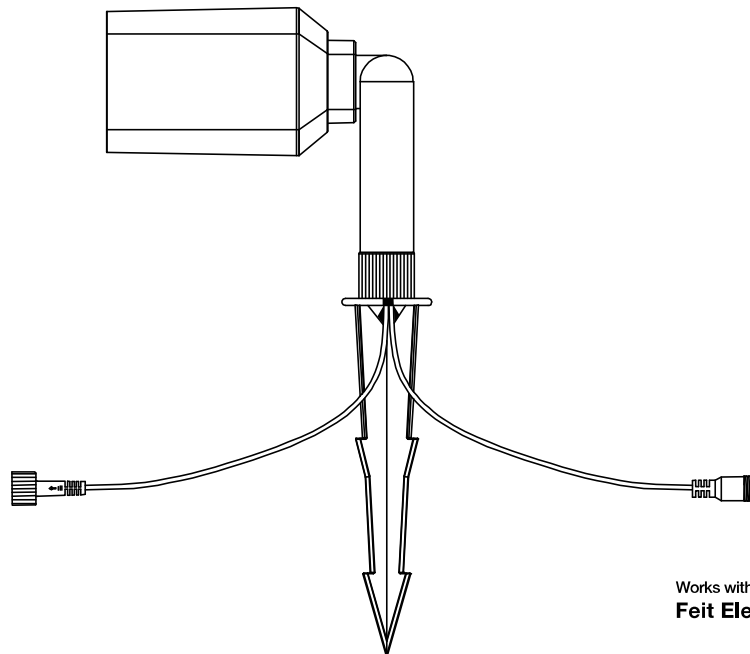
Model: LV/LANDSCAPE/RGBW/AG



Thank you for your purchase. Questions, comments or feedback? We'd love to hear from you. Visit [feit.com/help](http://feit.com/help) for support.

## SMART LANDSCAPE LIGHTING

### IMPORTANT SAFETY INSTRUCTIONS AND INSTALLATION GUIDE



Works with   
Feit Electric app



Only supports  
2.4GHz Wi-Fi  
Networks

**READ BEFORE INSTALLATION.  
SAVE THESE INSTRUCTIONS.**

Questions, problems, missing parts?  
Before returning to store, visit [feit.com/help](http://feit.com/help) for further assistance.



REV004

We appreciate the trust and confidence you have placed in Feit Electric through the purchase of this product. We strive to continually create quality products designed to enhance your home. Visit us online to see our full line of products available for your home improvement needs. Thank you for choosing Feit Electric.

## Table of Contents

Safety Information .....	2
FCC Statement .....	2
Limited Warranty .....	2
Pre-Installation .....	3
Description .....	3
Installation .....	4-5
App Setup .....	6
Connect Your Device .....	6
Troubleshooting Tips .....	6

## Safety Information

### IMPORTANT SAFEGUARDS:

ALWAYS FOLLOW BASIC SAFETY PRECAUTIONS WHEN USING ELECTRICAL PRODUCTS, ESPECIALLY WHEN CHILDREN ARE PRESENT.



**CAUTION:** Please read all information carefully before installation.



**CAUTION:** Use on 12VDC or 12VAC (power adapter included) circuit. This product is not user-serviceable. Do not attempt to open the product enclosure for any reason. Reliable operating temperature is -4°F to 113°F (-20°C to 45°C).



**CAUTION:** Do not use with dimmers.



**CAUTION:** Make sure all connectors are tightly secured to prevent water entry.



**CAUTION:** Do not use within 10 feet of a pool, spa or fountain.



**CAUTION:** Suitable for wet locations. Intended for outdoor use.



**WARNING:** This product may represent a possible shock or hazard if improperly installed or attached in any way. Product should be installed in accordance with the owner's manual, current electrical codes and/or the current National Electric Code (NEC).

**RISK OF ELECTRIC SHOCK:** Turn off the main power at the circuit breaker before installing.



**WARNING:** Do not exceed the total wattage of power adapter or transformer rating.



**CAUTION:** The instructions in this manual are not intended to cover every possible installation, operation, maintenance, or mounting situation.

**Supplier's Declaration of Conformity:**  
47 CFR § 2.1077 Compliance Information

#### Responsible Party:

Feit Electric Company 4901 Gregg Road, Pico Rivera,  
CA 90660, USA 562-463-2852

#### Unique Identifier:

LV/LANDSCAPE/RGBW/AG

This device complies with part 15 of the FCC Rules. Operation is subject to the following two conditions: (1) This device may not cause harmful interference, and (2) this device must accept any interference received, including interference that may cause undesired operation. Note: This equipment has been tested and found to comply with the limits for a Class B digital device, pursuant to part 15 of the FCC Rules. These limits are designed to provide reasonable protection against harmful interference in a residential installation. This equipment generates, uses and can radiate radio frequency energy and, if not installed and used in accordance with the instructions, may cause harmful interference to radio communications. However, there is no guarantee that interference will not occur in a particular installation. If this equipment does cause harmful interference to radio or television reception, which can be determined by turning the equipment off and on, the user is encouraged to try to correct the interference by one or more of the following measures: Reorient or relocate the receiving antenna. Increase the separation between the equipment and receiver. Connect the equipment into an outlet on a circuit different from that to which the receiver is connected. Consult the dealer or an experienced radio/TV technician for help. Any changes or modifications not expressly approved by the manufacturer could void the user's authority to operate the equipment. CANICES-005 (B).

The device has been evaluated to meet general RF exposure requirement.

The device can be used in mobile (min 7.87 in.) exposure condition without restriction.

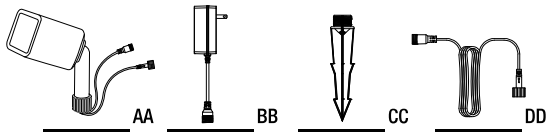
## Limited Warranty

This product is warranted to be free from defects in workmanship and materials for up to 1 year from date of purchase. If the product fails within the warranty period, please visit [feit.com/help](http://feit.com/help) for instructions on replacement/refund or call 866.326.BULB. REPLACEMENT OR REFUND IS YOUR SOLE REMEDY. EXCEPT TO THE EXTENT PROHIBITED BY APPLICABLE LAW, ANY IMPLIED WARRANTIES ARE LIMITED IN DURATION TO THE DURATION OF THIS WARRANTY. LIABILITY FOR INCIDENTAL OR CONSEQUENTIAL DAMAGES IS HEREBY EXPRESSLY EXCLUDED. Some states and provinces do not allow the exclusion of incidental or consequential damages, so the above limitation or exclusion may not apply to you. This warranty gives you specific legal rights, and you may also have other rights which vary from state to state or province to province.

## Pre-Installation

### HARDWARE INCLUDED

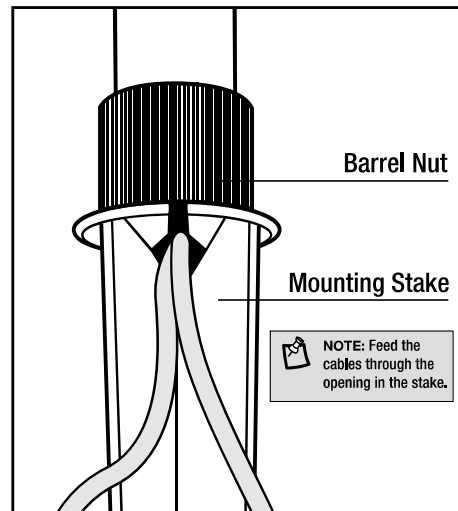
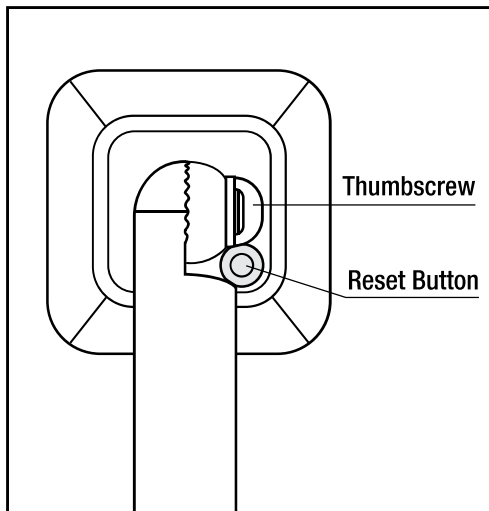
 **NOTE:** Hardware not shown to actual size.



Part	Description	Quantity
AA	Smart Landscape Light	1
BB	Power Adapter	1
CC	Mounting Stake	1
DD	15 ft. Extension Cable	1

## Description


ITEM	DESCRIPTION
<b>Reset Button</b>	Press and hold the Reset Button for five seconds to enter pairing mode.

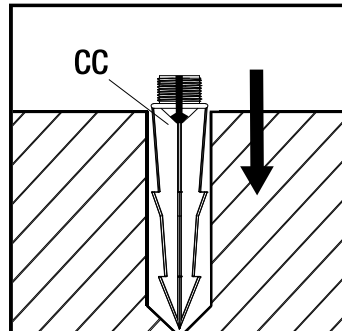


## Installation

### 1 Planting the Mounting Stake in the Ground

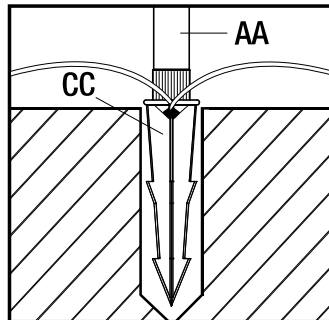
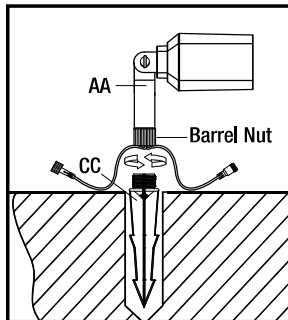
- Find the desired location. Plant the mounting stake (CC) by firmly pressing it into the soil, use a rubber mallet (not included) if necessary, until the entire stake is in the ground.


 **NOTE:** If the soil is hard, dig or wet the ground, to make it easier to plant the stake.



### 2 Attach Smart Landscape Light to Mounting Stake

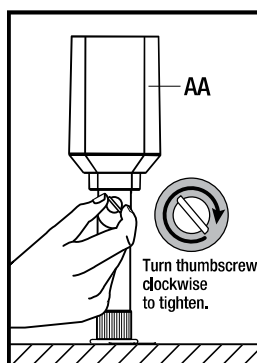
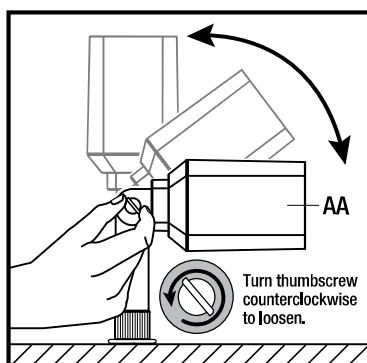
- Make sure to clear out the debris on top of the stake. The cables can go through the base slot of the mounting stake (CC). Attach the Smart Landscape Light (AA) to mounting stake (CC), Rotate to the desired position before fastening the barrel nut clockwise until it is fully secure.



 **NOTE:** Cables can be buried at a maximum depth of six inches. Make sure all connectors are tightly secured.

### 3 Adjust the Head Angle

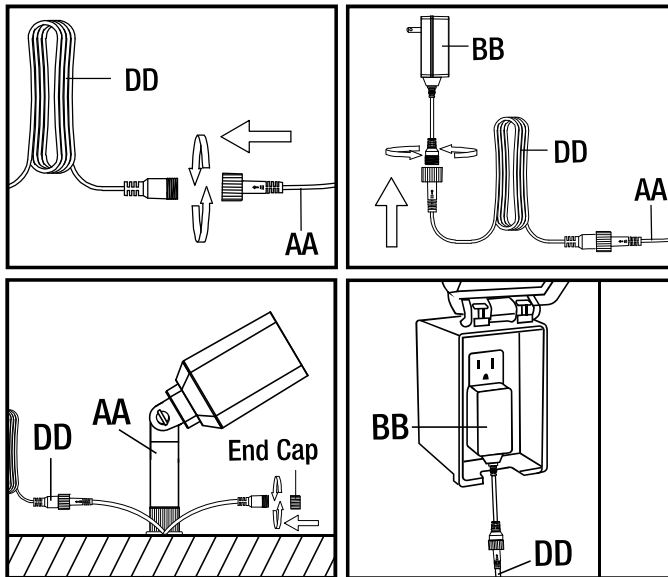
- Loosen the thumbscrew by turning counter-clockwise. Adjust the Smart Landscape Lights (AA) to the desired angle.
- Fasten the thumbscrew by turning clockwise until it is fully secure.



## Installation (Continued)

### 4 Attach the Power Adapter to the Smart Landscape Light

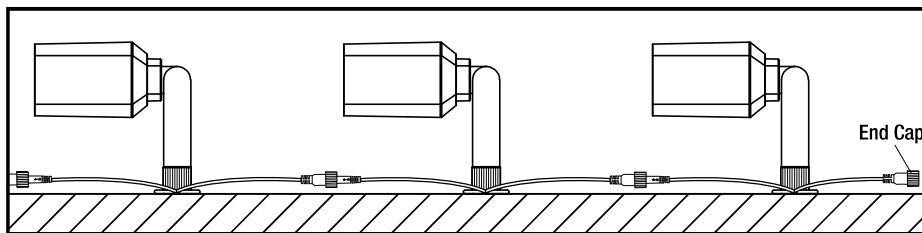
- Once the Smart Landscape Light (AA) is planted in the ground, connect the 15 ft. extension cable (DD) to the Smart Landscape Light (AA). The connectors are designed to only connect one way.
- Connect the power adapter (BB) to the 15 ft. extension cable (DD).
- Securely attach an end cap on the remaining connector of the Smart Landscape Light (AA) if you are not connecting to additional Smart Landscape Lights (sold separately).
- Plug the power adapter (BB) into an outdoor-rated GFCI receptacle with an appropriate outdoor cover.



### 5 (Optional) Connect additional Smart Landscape Lights

- Connecting additional Smart Landscape Lights will require a power adapter or transformer with a higher wattage rating. Make sure the load does not exceed it.
- The voltage provided to each Smart Landscape Light (AA) must be within the input voltage range.
- Securely attach an end cap at the end of the remaining connector of the Smart Landscape Light (AA).


**NOTE:** The supplied power adapter (BB) can only be used with one Smart Landscape Light (AA).



## APP Setup

### Download and install the Feit Electric app

- Search for the Feit Electric app in the App Store or Google Play Store.
- Download and install the Feit Electric app on your smart device.

 **NOTE:** Be sure to connect to a 2.4GHz Wi-Fi network that covers your installation location.



Feit Electric App



## Need Help?

Thank you for your purchase. Questions, comments or feedback? We'd love to hear from you. Visit [feit.com/help](https://feit.com/help) for support or connect with us:



@FeitElectric



@FeitElectricInc




feitelectriclighting

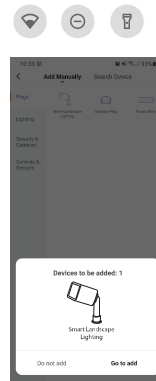


## Connect Your Device

### Open the Feit Electric app to complete the set up

- Tap Add Device or the + sign.

 **NOTE:** The device must be rapidly blinking to connect. If not already blinking, press and hold the Reset Button for five seconds to enter pairing mode.



## Troubleshooting Tips

### If you are having difficulty connecting:

- Make sure the Wi-Fi network is a 2.4GHz network. Feit Electric smart device will not connect to a 5GHz network.
- Test your Wi-Fi network with other devices such as your phone to make sure it is operating properly.
- The Wi-Fi connection may not have good coverage during set up, Try moving the device closer to your Wi-Fi router.
- Your Wi-Fi network password is case sensitive, make sure you are entering it correctly.

### RF exposure statement

This equipment complies with the FCC RF radiation exposure limits set forth for an uncontrolled environment. This equipment should be installed and operated with a minimum distance of 20cm between the radiator and any part of your body.

This equipment meets the exemption from the routine evaluation limits in section 2.5 of RSS-102. It should be installed and operated with a minimum distance of 20cm between the radiator and any part of your body.

Cet équipement est conforme à l'exemption des limites d'évaluation habituelle de la section 2.5 de la norme RSS-102. Il doit être installé et utilisé à une distance minimale de 20 cm entre le radiateur et toute partie de votre corps.

### IC WARNING

This device contains licence-exempt transmitter(s) that comply with Innovation, Science and Economic Development Canada's licence-exempt RSS(s). Operation is subject to the following two conditions:

- (1) This device may not cause interference.
  - (2) This device must accept any interference, including interference that may cause undesired operation of the device.
- L'émetteur/récepteur exempt de licence contenu dans le présent appareil est conforme aux CNR d'Innovation, Sciences et Développement économique Canada applicables aux appareils radio exempts de licence. L'exploitation est autorisée aux deux conditions suivantes:
1. L'appareil ne doit pas produire de brouillage;
  2. L'appareil doit accepter tout brouillage radioélectrique subi, même si le brouillage est susceptible d'en compromettre le fonctionnement.