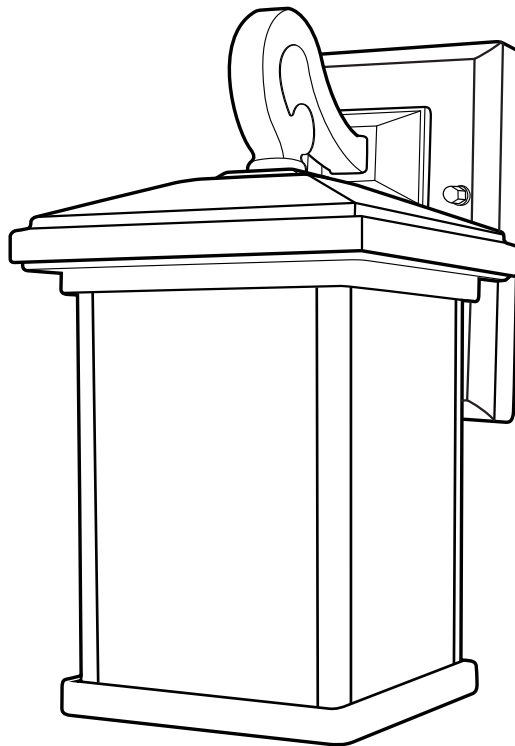




Model: LAN11SQ/SYNC/BZ

USE AND CARE GUIDE

LED SQUARE WALL LANTERN



Questions, problems, missing parts?

Before returning to store, visit feit.com/help for further assistance.



Table of Contents

| | |
|-----------------------------------|-----|
| Table of Contents | 2 |
| Safety Information | 2 |
| Warranty | 2 |
| Pre-Installation | 3 |
| Tools Required | 3 |
| Hardware Included | 3 |
| Installation | 4-5 |
| Operation without Remote | 6 |
| Operation with Remote | 7 |
| Operation with Smart Bridge | 7 |

Safety Information

For your safety, always remember to:

- Turn off the power supply at the fuse or circuit breaker box before you install the fixture.
- Ground the fixture to avoid potential electric shock and to ensure reliable starting.
- Double-check all connections to be sure they are tight and correct.
- Wear rubber soled shoes and work on a sturdy wooden ladder.
- Account for small parts and destroy packing material, as these may be hazardous to children.

This fixture is designed for use in a circuit protected by a fuse or circuit breaker. It is also designed to be installed in accordance with local electrical codes. If you are unsure about your wiring, check your local electrical code or consult a qualified electrician.

PRODUCT SPECIFICATIONS:

- 120 VAC, 60 Hz, 12.5 Watts
- Not for use with dimmer
- Wet Location



WARNING: RISK OF SHOCK. House electric current can cause painful shock or serious injury unless handled properly.



CAUTION: Turn off the main power at the circuit breaker before installing the fixture, in order to prevent possible shock.

NOTICE: All electrical connections must be in accordance with local and national standards, National Electric Code (N.E.C.) in the US and Canadian Electrical Code (C.E.C.) in Canada. If you are unfamiliar with proper electrical wiring connections obtain the services of a qualified electrician.

Remove the fixture and the mounting package from the box and make sure that no parts are missing by referencing the illustrations on the installation instructions.

DUSK TO DAWN OPERATION:

The light will turn on at dusk and remain on through the night until dawn. The light will remain off throughout the day, until dusk.

NOTE: To make sure this function works properly, always have the switch in the 'ON' position (including daytime).

NOTE: A convenience cover is provided which can be used to block out light and bypass the sensor. This will keep the light continuous on and fixture can be controlled to turn on/off through the wall switch or a master photocell.

FCC STATEMENT

This device complies with part 15 of the FCC Rules. Operation is subject to the following two conditions: (1) This device may not cause harmful interference, and (2) this device must accept any interference received, including interference that may cause undesired operation. Note: This equipment has been tested and found to comply with the limits for a Class B digital device, pursuant to part 15 of the FCC Rules. These limits are designed to provide reasonable protection against harmful interference in a residential installation. This equipment generates, uses and can radiate radio frequency energy and, if not installed and used in accordance with the instructions, may cause harmful interference to radio communications. However, there is no guarantee that interference will not occur in a particular installation. If this equipment does cause harmful interference to radio or television reception, which can be determined by turning the equipment off and on, the user is encouraged to try to correct the interference by one or more of the following measures: Reorient or relocate the receiving antenna. Increase the separation between the equipment and receiver. Connect the equipment into an outlet on a circuit different from that to which the receiver is connected. Consult the dealer or an experienced radio/TV technician for help. Any changes or modifications not expressly approved by the manufacturer could void the user's authority to operate the equipment. CAN ICES-005 (B). RF Exposure. The equipment complies with FCC radiation exposure limits set forth for an uncontrolled environment. This device should be installed and operated with minimum distance 20cm between the radiator & your body.

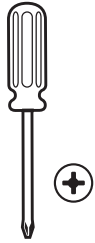
Supplier's Declaration of Conformity:
47 CFR § 2.1077 Compliance Information
Responsible Party:
Feit Electric Company
4901 Gregg Road,
Pico Rivera, CA 90660, USA
Unique Identifier:
LAN11SQ/SYNC/BZ

Limited Warranty

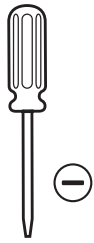
This product is warranted to be free from defects in workmanship and materials for up to 3 years from date of purchase. If the product fails within the warranty period, please contact feit electric at info@feit.Com, visit feit.Com/contact-us for instructions on replacement or refund. Replacement or refund is your sole remedy. Except to the extent prohibited by applicable law, any implied warranties are limited in duration to the duration of this warranty. Liability for incidental or consequential damages is hereby expressly excluded. Some states and provinces do not allow the exclusion of incidental or consequential damages, so the above limitation or exclusion may not apply to you. This warranty gives you specific legal rights, and you may also have other rights which vary from state to state or province to province.

Pre-Installation

TOOLS REQUIRED



Phillips
screwdriver

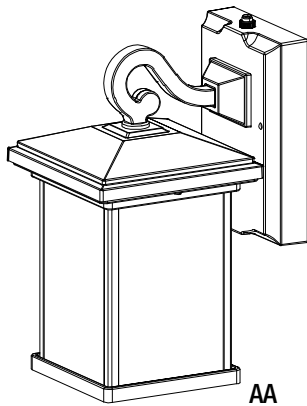


Flathead
screwdriver

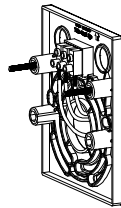
HARDWARE INCLUDED



NOTE: Hardware not shown to actual size.



AA



BB



CC



DD



EE

| Part | Description | Quantity |
|------|---------------------|----------|
| AA | Fixture | 1 |
| BB | Mounting Plate | 1 |
| CC | Junction Box Screws | 2 |
| DD | Washers | 2 |
| EE | Decorative Nuts | 2 |

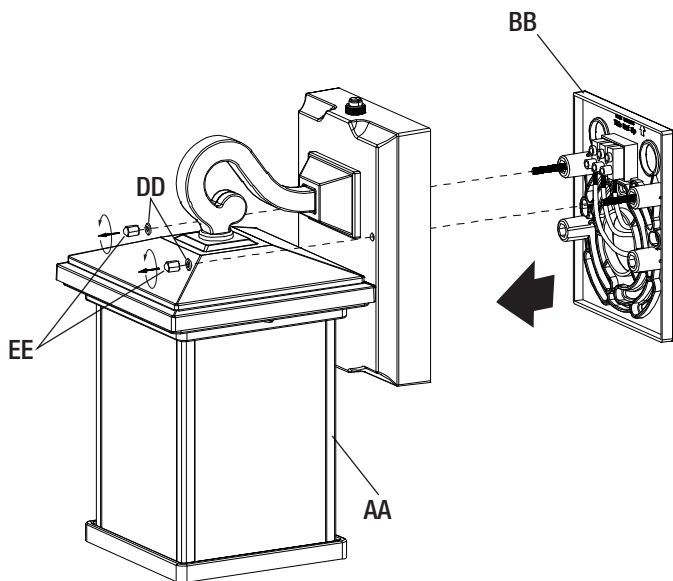
Installation

1 Turning off the power

- Turn the power OFF at the switch and fusebox or the circuit breaker.

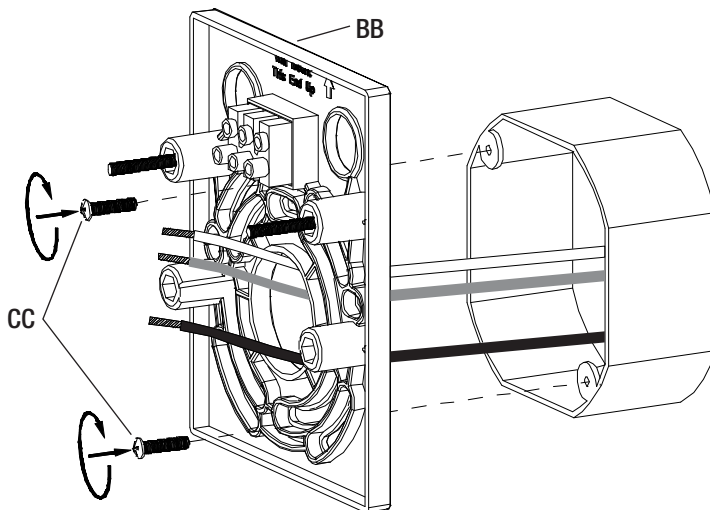
2 Removing the mounting plate

- Unscrew the decorative nuts (EE), remove the washers (DD) and keep them for Step 7.
- Remove the mounting plate (BB).



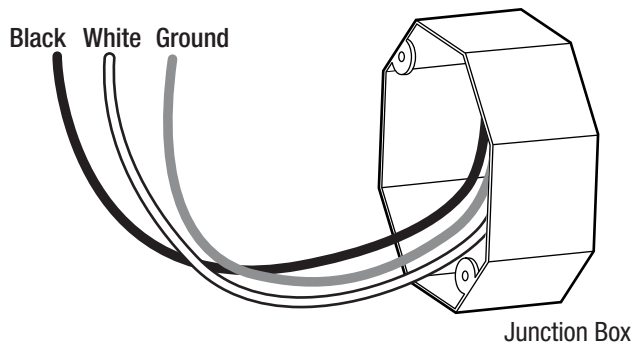
4 Installing the mounting plate

- Attach the mounting plate (BB) to the outlet box using the provided junction box screws (CC).
- Make sure to run the house wires through the center hole on the mounting plate (BB).



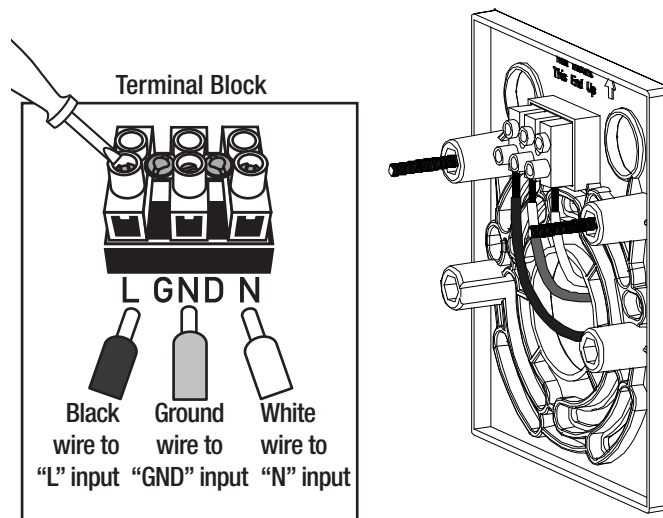
3 Identifying the wires

- Identify the wires at the junction box.
- (Black-line voltage, White-neutral, Green-ground).
- Make them accessible for easy connection.



5 Connecting the wires

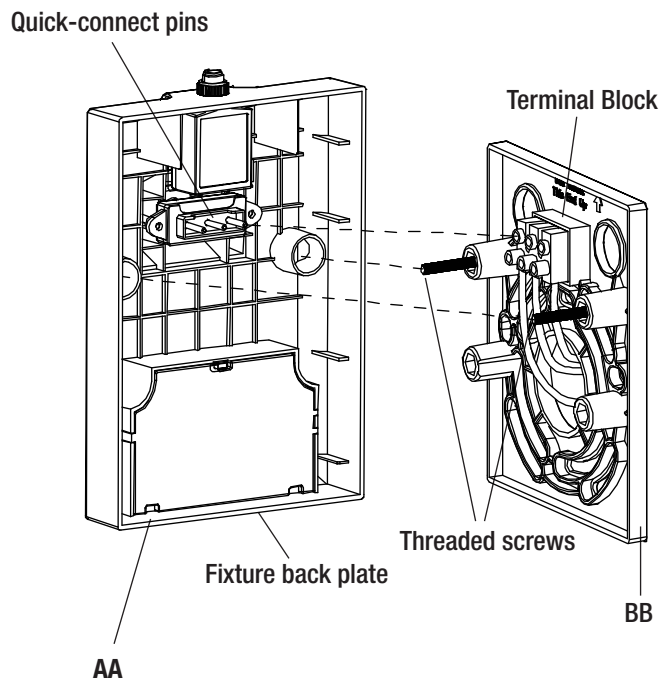
- Connect the house wires directly to the terminal block.
- Tighten the screws on the terminal block using a screw driver to secure the wire connections. See below



Installation (continued)

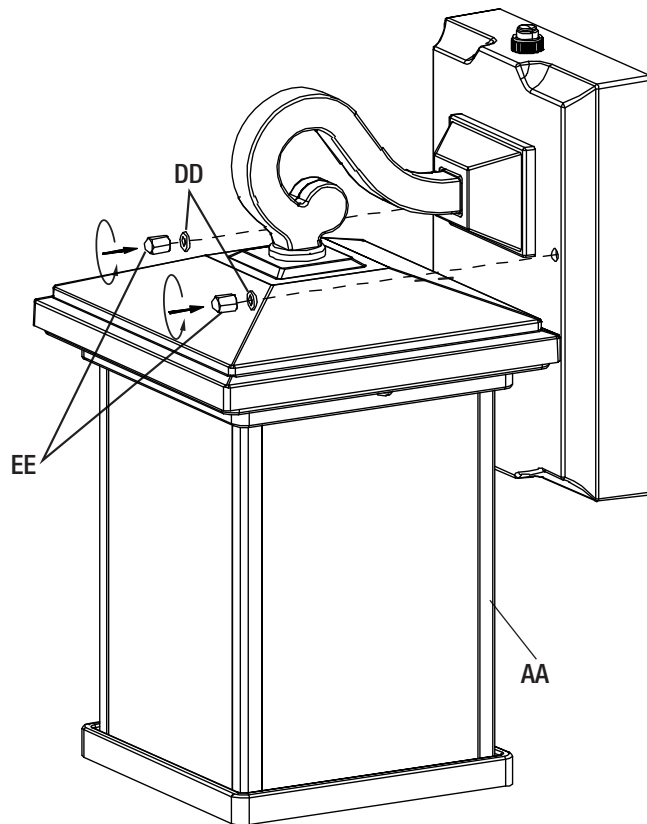
6 Installing the fixture

- Gently align the quick-connect pins to the top holes on the terminal block.
- Make sure the screws on the mounting plate (BB) are also aligned.
- Push the fixture back plate to the mounting plate (BB). Make sure that the threaded screw ends are coming out through the front side of the fixture back plate.



7 Securing the fixture

- Install the rubber washers (DD) and secure the fixture to the mounting plate (BB) by tightening decorative nuts (EE).
- Caulk around the junction between the fixture and wall to prevent water or moisture from entering the wiring compartment.



8 Turning the power on

- Turn the power on at the circuit breaker or replace fuse.

Operation without Remote

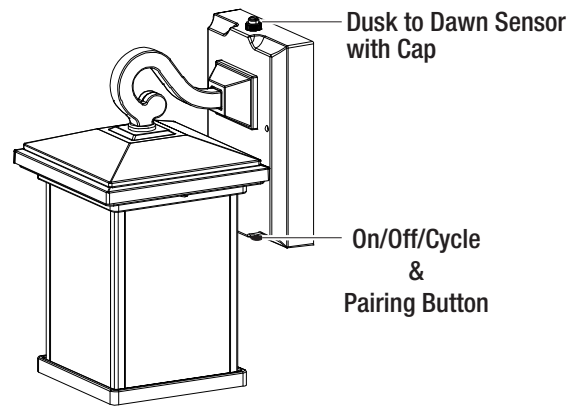
This OneSync fixture works on its own or with a OneSync Remote or Smart Bridge for grouping and expanded control (sold separately).

1 Turning on the fixture

- Turn the fixture on by pressing the button on the bottom of the fixture.

2 Selecting a Color

- To cycle through the colors, push the button. Colors are: Soft White, Bright White, Cool White, Daylight, Deluxe Daylight, Red, Blue, Green, Yellow, Orange, Purple, Teal, Pink. The lantern will remember the color setting when next turned on.



3 Using Dusk to Dawn Function

- To operate using the Dusk to Dawn Function, the CAP MUST BE REMOVED.

Operation with Remote (sold separately)

Operating with a OneSync remote allows for expanded control. Modify settings of individual OneSync fixtures or multiple fixtures in groups. The OneSync Remote has a 100ft control range and will command all paired fixtures within 100ft of the remote.

All OneSync fixtures are equipped with a signal repeater that will repeat any remote commands to all other fixtures within 100ft. Placing fixtures within 100ft of at least one other fixture creates a control network and allows for unlimited remote control range, as long as there is a functioning OneSync fixture within 100ft to relay the command.

Example: You can install a OneSync fixture, then another OneSync fixture 100ft away from the first unit. Continue to install 3 more OneSync fixtures in this way so that the last fixture is 500ft away. Using this relay technology, the remote will control the farthest fixture that is 500ft away.

1 Entering pairing mode

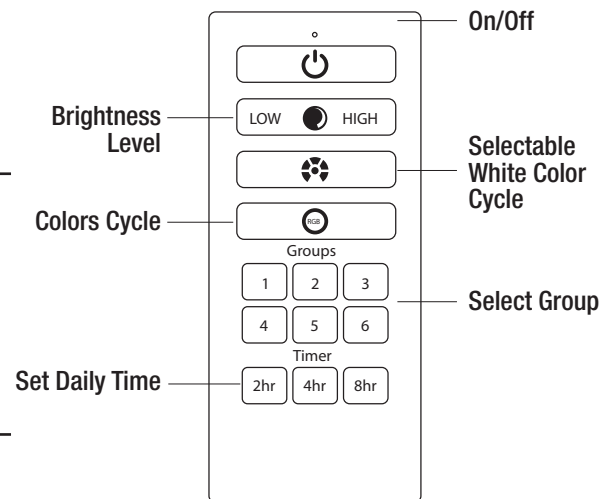
- Hold down the pairing button for 3 seconds. Once the lantern starts to blink slowly, it will be in pairing mode for 3 minutes before timing out or accepting a remote command.

2 Pairing the remote to the fixture

- While the lantern is in pairing mode press and hold the desired Groups button (1, 2, 3, 4, 5 or 6) for 3 seconds to pair the Remote to the selected group.
The light will flash once and the fixture will exit pairing mode.

3 Unpairing the fixture from the remote

- To unpair, first follow step 1 so that the fixture is in pairing mode. Once the fixture is in pairing mode, on the OneSync Remote, press the pairing group button and hold the power button for 3 seconds. The light will flash once and the fixture will exit pairing mode.
- To unpair from all groups at once, hold down the button on the OneSync fixture for 10 seconds. It will flash three times rapidly to indicate that that all groups have been unpaired from the fixture.



NOTE: The remote is equipped with a universal Group #1. To create unique groups, pair using Groups #2-6. All fixtures are pre-paired to the universal Group #1 so that they will immediately respond with any remote Group #1 command. To not operate on this universal group, follow the unpairing instructions in Step 3.

Operation with Smart Bridge

1 Downloading and installing the Feit Electric app

- Search for the Feit Electric app in the App Store or Google Play Store.
- Download and Install the Feit Electric app on your smart device.
- Connect to a 2.4GHz Wi-Fi network that covers your installation location.
- Follow the instructions in the Feit Electric app & Smart Bridge manual to pair your OneSync lights.



Feit Electric App



Only supports
2.4GHz Wi-Fi
Networks



Questions, problems, missing parts?

Before returning to store, visit feit.com/help for further assistance.

