

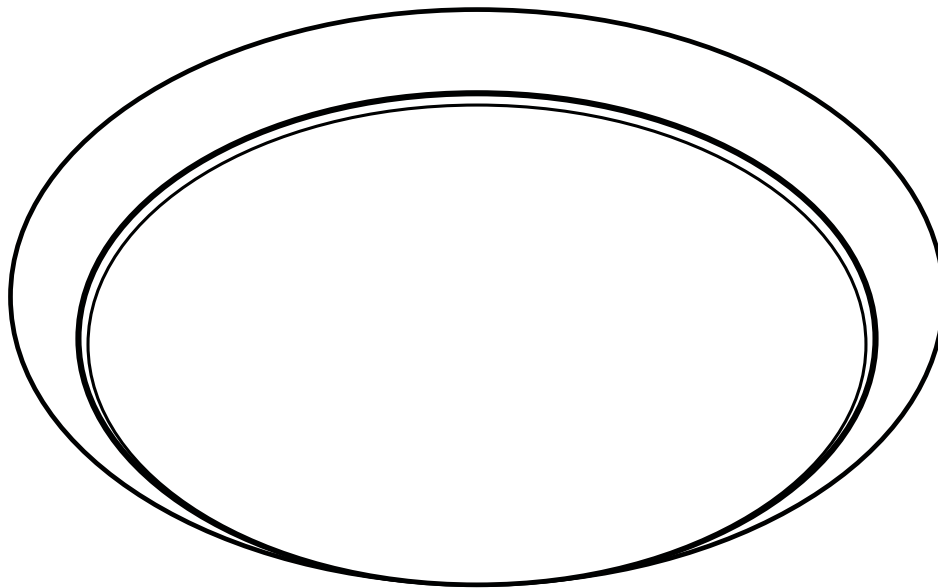


SKU #1009 812 749
Model #FM11LP6WYMMNKHD
SKU #1009 812 751
Model #FM15LP6WYMMNKHD

SKU #1009 812 748
Model #FM11LP6WYMMBKHD
SKU #1009 812 750
Model #FM15LP6WYMMBKHD

USE AND CARE GUIDE

ROUND LED FLUSH MOUNT CEILING LIGHT WITH OPTIONAL MOTION FEATURE



**Questions, problems, missing parts? Before returning to the store,
call Commercial Electric Customer Service
8 a.m. - 7 p.m., EST, Monday - Friday, 9 a.m. - 6 p.m., EST, Saturday
1-877-527-0313
HOMEDEPOT.COM**

THANK YOU

We appreciate the trust and confidence you have placed in Commercial Electric through the purchase of this LED round ceiling light. We strive to continually create quality products designed to enhance your home. Visit us online to see our full line of products available for your home improvement needs. Thank you for choosing Commercial Electric!

Table of Contents

Table of Contents	2
Safety Information	2
Warranty	2
Pre-Installation	3
Tools Required	3
Hardware Included	3
Installation	4
Changing the Color Settings	5
Motion Sensor	6
Troubleshooting	7
Color Chart	7

Safety Information

For your safety, always remember to:

- Turn off the power supply at the fuse or circuit breaker box before you install the fixture.
- Double-check all connections to be sure they are tight and correct.
- Wear rubber soled shoes and work on a sturdy wooden ladder.
- Account for small parts and destroy packing material, as these may be hazardous to children.

This fixture is designed for use in a circuit protected by a fuse or circuit breaker. It is also designed to be installed in accordance with local electrical codes. If you are unsure about your wiring, consult a qualified electrician or local electrical inspector, and check your local electrical code.

FCC STATEMENT

This device complies with part 15 of the FCC Rules. Operation is subject to the following two conditions:

(1) This device may not cause harmful interference, and (2) this device must accept any interference received, including interference that may cause undesired operation. Note: This equipment has been tested and found to comply with the limits for a Class B digital device, pursuant to part 15 of the FCC Rules. These limits are designed to provide reasonable protection against harmful interference in a residential installation. This equipment generates, uses and can radiate radio frequency energy and, if not installed and used in accordance with the instructions, may cause harmful interference to radio communications. However, there is no guarantee that interference will not occur in a particular installation. If this equipment does cause harmful interference to radio or television reception, which can be determined by turning the equipment off and on, the user is encouraged to try to correct the interference by one or more of the following measures: Reorient or relocate the receiving antenna. Increase the separation between the equipment and receiver. Connect the equipment into an outlet on a circuit different from that to which the receiver is connected. Consult the dealer or an experienced radio/TV technician for help. **Warning:** Any changes or modifications not expressly approved by the manufacturer could void the user's authority to operate the equipment.

RADIATION EXPOSURE STATEMENT

This device complies with FCC radiation exposure limits set forth for an uncontrolled environment.

Warranty

This product is warranted to be free from defects in workmanship and materials for up to 5 years from date of purchase. If it fails to do so, please contact the Customer Service Team at 1-877-527-0313 or visit www.HomeDepot.com.

PRODUCT SPECIFICATIONS:

- 120VAC, 60Hz
- Dimmable
- Suitable for damp locations



WARNING: RISK OF SHOCK. House electric current can cause painful shock or serious injury unless handled properly.

NOTICE: All electrical connections must be in accordance with local and National Electrical Code (N.E.C.) standards. If you are unfamiliar with proper electrical wiring connections obtain the services of a qualified electrician.

Remove the fixture and the mounting package from the box and make sure that no parts are missing by referencing the illustrations on the installation instructions.



WARNING: Risk of fire. Before installing your lighting fixture, thoroughly review enclosed installation manual. If you do not have sufficient electrical wiring experience, please refer to a do-it-yourself wiring handbook or have your fixture installed by a qualified licensed electrician. All electrical connections must be in accordance with Local and National Electrical Code (NEC) Standards. Reliable operating temperature is -13° F to 113° F (-25° C to 45° C). If flickering occurs in low level dimming, increase light level.

Supplier's Declaration of Conformity:

47 CFR § 2.1077 Compliance Information

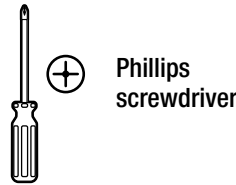
Responsible Party: Feit Electric Company

4901 Gregg Road, Pico Rivera, CA 90660, USA 562-463-2852

Unique Identifier: Commercial Electric Round Led Flush Mount Ceiling Light

Pre-Installation

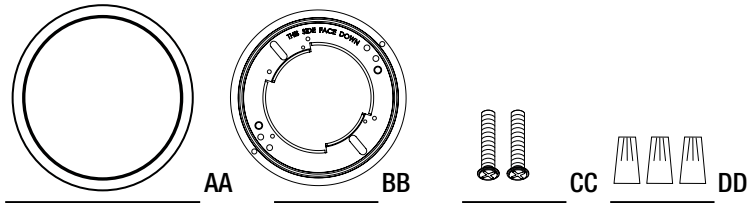
TOOLS REQUIRED



Phillips
screwdriver

HARDWARE INCLUDED

 **NOTE:** Hardware not shown to actual size.



Part	Description	Quantity
AA	Fixture	1
BB	Mounting Bracket	1
CC	Junction Box Mounting Screws	2
DD	Wire Nuts	3

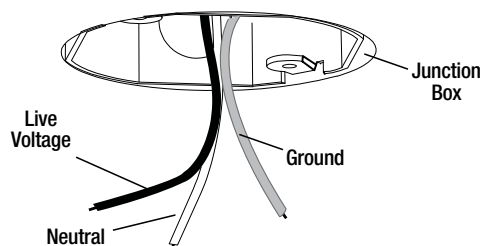
J-Box Installation

1 Turning Off the Power

- Turn the power OFF at the switch and fusebox or the circuit breaker.
- Remove the existing trim if present.

2 Identifying the wires

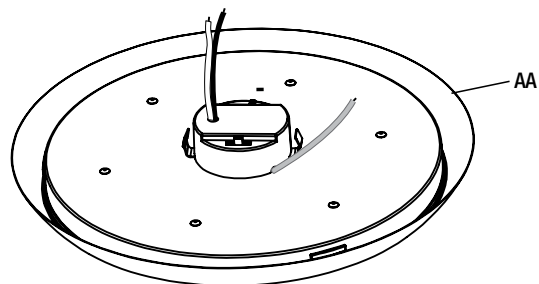
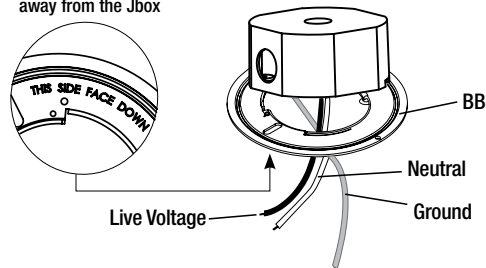
- Live voltage - Black, Neutral - White, Ground - Bare, Copper.



3 Installing the Mounting Bracket to the Junction Box

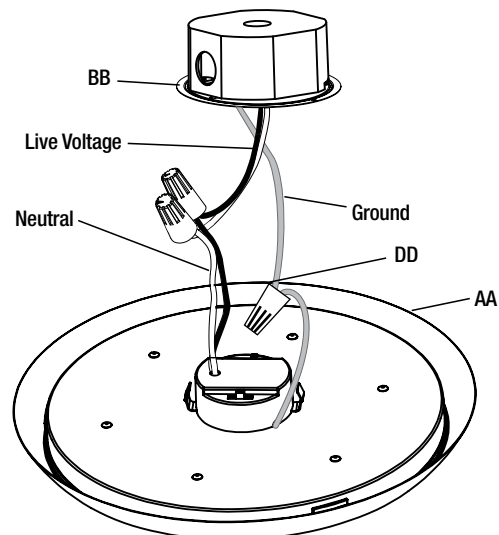
- Feed the junction box wires through the center of the mounting bracket (BB).
- Attach the mounting bracket (BB) to the junction box using the two junction box mounting screws (CC).

Be sure this label faces downward, away from the Jbox



4 Connecting the wires

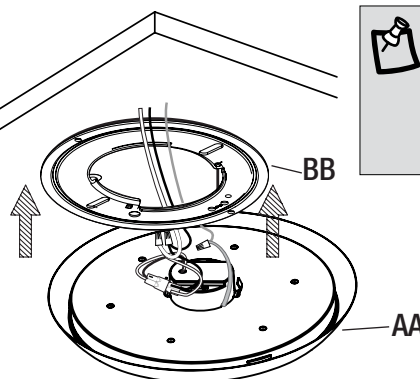
- Use the wire nuts (DD) to connect the ground wire (green) coming out of the fixture (BB) to the house ground wire (usually green).
- Use the wire nuts (DD) to connect the black line wire coming out of the fixture to the line wire (usually black) coming from the junction box.
- Use the wire nuts (DD) to connect the white neutral wire coming out of the fixture to the neutral wire (usually white) coming from the junction box.



NOTE: Before installation check the back of the fixture and select desired CCT and motion option. See pages 5 and 6 for additional information.

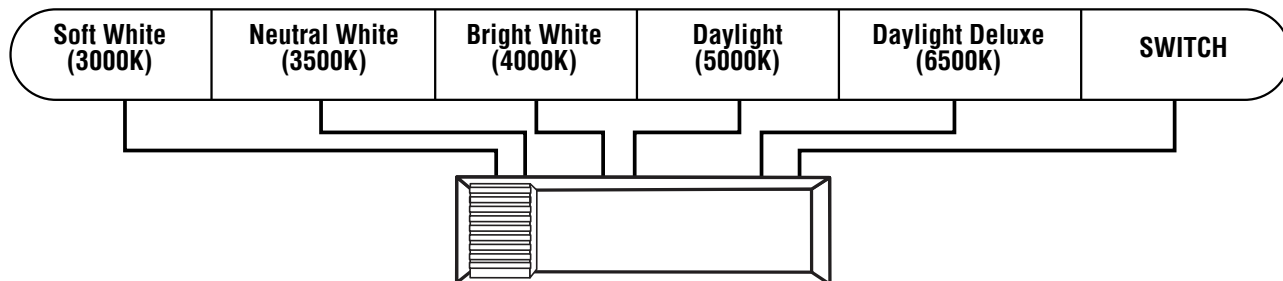
5 Installing the fixture

- Secure the fixture (AA) to the mounting bracket (BB) by pressing the fixture into the mounting bracket until the clips on the fixture engage together. Make sure the fixture is firmly locked into place.




NOTE: Tuck the wires into the junction box neatly to create enough space for the wire enclosure to fit in without obstruction.

Changing Color Settings




1. When the slide switch is set to 3000K, the color temperature is set to Soft White.
2. When the slide switch is set to 3500K, the color temperature is set to Neutral White.
3. When the slide switch is set to 4000K, the color temperature is set to Bright White.
4. When the slide switch is set to 5000K, the color temperature is set to Daylight.
5. When the slide switch is set to 6500K, the color temperature is set to Daylight Deluxe.
6. When the slide switch is set to SWITCH, the color temperature can be changed from 3000K, 3500K, 4000K, 5000K and 6500K with your existing light switch.
7. To change color temperatures using your existing light switch:
 - A. Set the slide switch on the back of the fixture to SWITCH.
 - B. Toggle your light switch ON and OFF within 0.5-3 seconds to cycle through the 5 different color temperatures.
 - C. The fixture will remember the last color temperature selected after the fixture has been on a selected color temperature for 10 seconds and eventually turned off. To maintain selected color, do not toggle switch as detailed in the prior step, but leave off for 10 seconds. The next time the fixture is turned on, the fixture will emit the last color temperature selected.
8. The reset function is used when using multiple Color Selectable lighting products operating from the same light switch. In the event multiple fixtures are not displaying the same color at the same time, fixtures must be RESET using your existing light switch. Simply toggle the wall switch ON and OFF 7 times quickly. For best results, cycle ON/OFF 7 times within 5-10 seconds.

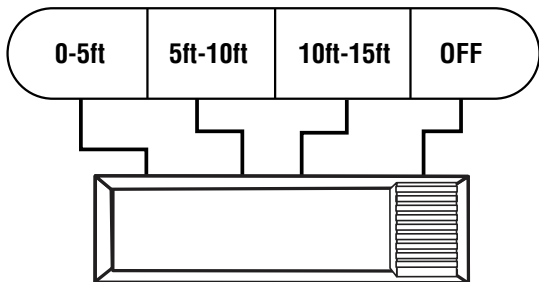
Motion Sensor

 **NOTE:** All distances are measured from the motion sensor located in the center of the fixture.

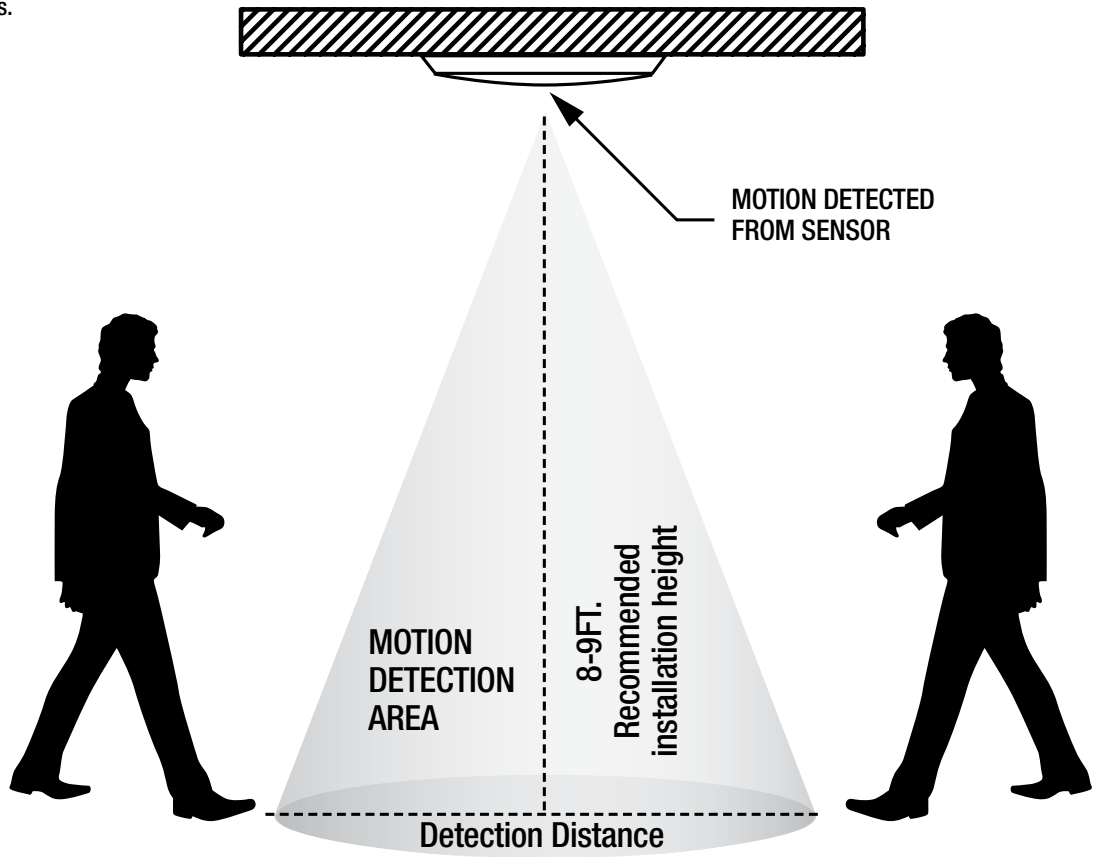
 **NOTE:** Recommended installation height is 8-9 ft.

 **NOTE:** The fixture uses microwave motion sensor, do not install within 5ft of router or other wifi source.

Range Selector Switch Settings



SENSOR DETECTION
Motion is off by default; if motion detection is desired, select range via range selector switch which can be adjusted to multiple ranges to fit users need by using the switch on the back of the fixture. Once the sensor detects motion, the light will remain on and will automatically turn off if no motion is detected after 5 minutes.



Approximate radius determined by the switch on the back of the fixture

Troubleshooting

Problem	Possible Causes	Solution
Light is not coming out of the fixture	Motion range is selected but no motion has been detected	Select a larger detection distance
Light turns on without obvious movement	Motion detector triggered	Use range switch to select a smaller detection radius (microwave motion detectors can trigger through walls and doors)
Light stays off despite movement	Detection radius is too small	Use range switch to select a larger detection radius
Light does not go off	Motion detector is being constantly triggered	Use range switch to select a smaller detection radius (microwave motion detectors can trigger through walls and doors)
	Motion detection setting is turned off	Use range switch on the back of the fixture to select a motion range, then turn off the fixture for 5s before turning it back on

Color Chart

Color	Size	Model #	SKU #
Brushed Nickel	11 Inch Diameter	FM11LP6WYMMNKHD	1009 812 749
Brushed Nickel	15 Inch Diameter	FM15LP6WYMMNKHD	1009 812 751
Matte Black	11 Inch Diameter	FM11LP6WYMMBKHD	1009 812 748
Matte Black	15 Inch Diameter	FM15LP6WYMMBKHD	1009 812 750