

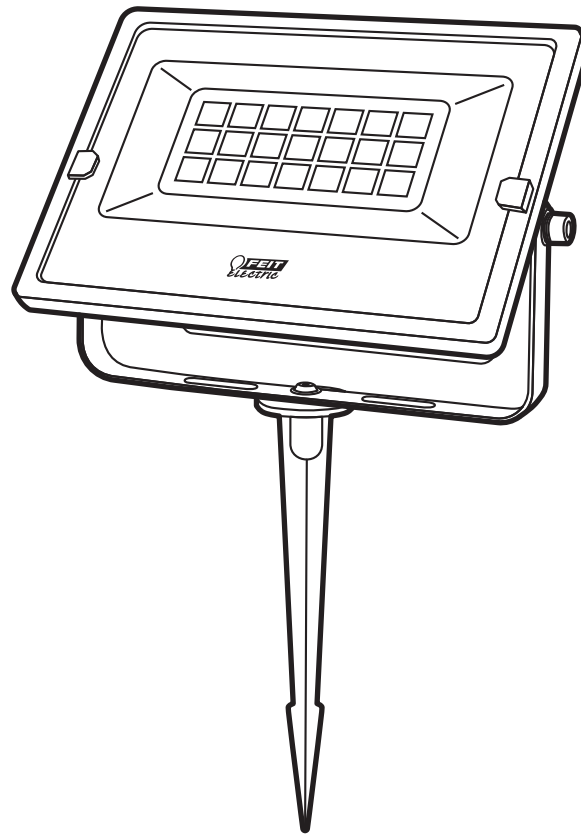


Thank you for your purchase. Questions, comments or feedback? We'd love to hear from you. Visit [feit.com/help](http://feit.com/help) for support.

ITM. / ART. 1624479

# MULTI-COLOR LED FLOOD LIGHT WITH RF REMOTE CONTROL

## IMPORTANT SAFETY INSTRUCTIONS AND INSTALLATION GUIDE



IMPORTANT, RETAIN FOR FUTURE REFERENCE: READ CAREFULLY

**SAVE THESE INSTRUCTIONS**

# Table of Contents

Safety Information .....	2
Maintenance and Care .....	2
FCC Statement .....	2
Limited Warranty.....	2
Pre-Installation .....	3
Description .....	3
Installation.....	4
Remote Control Instructions.....	4

## Safety Information

### READ ALL INSTRUCTIONS

- All safety and operating instructions in this manual must be followed before using this product.
- Follow all safe guards stated in the manual, in addition to normal safety precautions in working with electrical devices. Always follow basic safety precautions to reduce the risk of fire, electric shock and personal injury.
- Ground Fault Circuit Interrupter (GFCI) protection is to be provided on the circuit(s) or for the wet location portable luminaire. Receptacles are available having built-in GFCI protection and are able to be used for this measure of safety.
- Use only with an extension cord for outdoor use, such as an extension cord of cord type SEW, SEOW, SE00W, SOW, SOOW, STW, STOW, STOOW, SJEW, SJEOW, SJE00W, SJW, SJOW, SJOOW, SJTW, SJTOW, or SJTOOW.
- To disconnect, turn off the unit, then remove the plug from the outlet. Do not turn off by pulling on the cord.
- To reduce the risk of fire, keep away from combustible materials while in operation.
- To reduce the risk of injury, close supervision is necessary when this product is used near children.
- Suitable for Wet Locations.
- Must not be connected to a dimmer.
- Operating Temperature: -4°F to 113°F (-20°C to 45°C).
- This product is not user-serviceable. Do not attempt to open the product enclosure for any reason.
- Unplug from outlet before installing this product.

### SAVE THESE INSTRUCTIONS

## Maintenance and Care

Regularly clean the lens with a non-abrasive cleaning cloth. The same care should be provided for the bracket.

## FCC Statement

**Supplier's Declaration of Conformity:** 47 CFR § 2.1077 Compliance Information  
**Responsible Party:** Feit Electric Company 4901 Gregg Road, Pico Rivera, CA 90660, USA 562-463-2852 **Unique Identifier:** FLD30/RGB, ITM. / ART. 1624479

This device complies with part 15 of the FCC Rules. Operation is subject to the following two conditions: (1) This device may not cause harmful interference, and (2) this device must accept any interference received, including interference that may cause undesired operation. Note: This equipment has been tested and found to comply with the limits for a Class B digital device, pursuant to part 15 of the FCC Rules. These limits are designed to provide reasonable protection against harmful interference in a residential installation. This equipment generates, uses and can radiate radio frequency energy and, if not installed and used in accordance with the instructions, may cause harmful interference to radio communications. However, there is no guarantee that interference will not occur in a particular installation. If this equipment does cause harmful interference to radio or television reception, which can be determined by turning the equipment off and on, the user is encouraged to try to correct the interference by one or more of the following measures: Reorient or relocate the receiving antenna. Increase the separation between the equipment and receiver. Connect the equipment into an outlet on a circuit different from that to which the receiver is connected. Consult the dealer or an experienced radio/TV technician for help. Any changes or modifications not expressly approved by the manufacturer could void the user's authority to operate the equipment.

## Limited Warranty

This product is warranted to be free from defects in workmanship and materials for up to 1 year from date of purchase. If the product fails within the warranty period, please contact Feit Electric at info@feit.com, visit feit.com/contact-us or call 1-866 326-BULB (2852) for instructions on replacement or refund. REPLACEMENT OR REFUND IS YOUR SOLE REMEDY. EXCEPT TO THE EXTENT PROHIBITED BY APPLICABLE LAW, ANY IMPLIED WARRANTIES ARE LIMITED IN DURATION TO THE DURATION OF THIS WARRANTY. LIABILITY FOR INCIDENTAL OR CONSEQUENTIAL DAMAGES IS HEREBY EXPRESSLY EXCLUDED. Some states and provinces do not allow the exclusion of incidental or consequential damages, so the above limitation or exclusion may not apply to you. This warranty gives you specific legal rights, and you may also have other rights which vary from state to state or province to province.



**WARNING: RISK OF SHOCK.** House electric current can cause painful shock or serious injury unless handled properly.



**WARNING:** When using outdoor use portable luminaires, basic safety precautions should always be followed to reduce the risk of fire, electric shock, and personal injury.



**WARNING:** Use only three-wire outdoor extension cords that have three-prong grounding plugs and grounding receptacles that accept the appliance's plug. Do not use an extension cord near water or in areas where water may accumulate. Keep away from pools or spas. Keep plugs dry.



**WARNING:** Eye damage caused by high light intensity. Never look directly into the light source.

## BATTERY WARNING:

Risk of fire, explosion, and burns. Do not disassemble, crush, heat above 100° C / 212° F or incinerate. REPLACE ONLY WITH one CR2025 / CR2032 battery. DISPOSE OF USED BATTERY PROMPTLY KEEP AWAY FROM CHILDREN DO NOT DISASSEMBLE AND DO NOT DISPOSE OF IN FIRE. When replacing battery, ensure the new battery is installed correctly with regard to polarity (+ and -) as shown on remote.v

## CAUTION:

Dispose of used battery promptly according to local recycling or waste regulations. Clean battery contacts and also device contacts prior to installing battery. Ensure the battery is installed correctly with regard to polarity (+ and -). Remove battery from remote when not being used for an extended period of time. Remove used battery promptly.

## WARNING:

- WARNING - KEEP BATTERIES OUT OF REACH OF CHILDREN
- Swallowing may lead to serious injury in as little as 2 hours or death, due to chemical burns and potential perforation of the esophagus.
- If you suspect your child has swallowed or inserted a button battery, immediately seek urgent medical assistance.
- Examine devices and make sure the battery compartment is correctly secured, e.g. that the screw or other mechanical fastener is tightened. Do not use if compartment is not secure.
- Dispose of used button battery immediately and safely. Flat battery can still be dangerous.

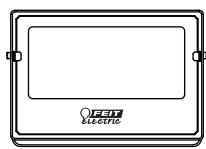
This product contains a button battery. If swallowed, it could cause severe injury or death in just 2 hours. Seek medical attention immediately.

# Pre-Installation

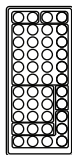
## HARDWARE INCLUDED



NOTE: Parts not shown to actual size.



A



B



C



D



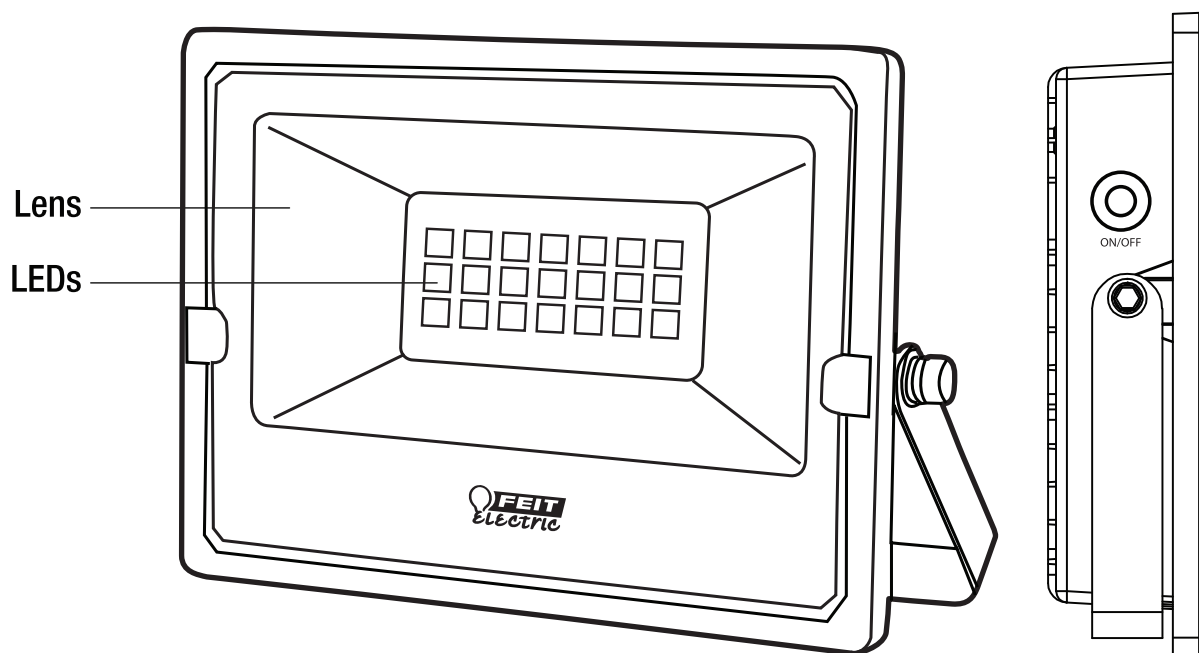
E

Part	Description	Quantity
A	Multi-Color LED Flood Light	1
B	Remote Control	1
C	Mounting Stake	1
D	Mounting Screw	1
E	L-Shaped Tool	1

## Description

### Flood Light with Color Memory Function

- 100-240VAC 60Hz, 30W
- 110° Beam Angle
- IP66 Water Resistant



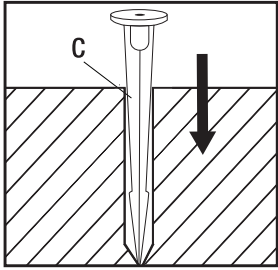
### ON/OFF Button Instruction

- **ON:** Press once to turn On the Flood Light.
- **OFF:** Press and hold for 2 seconds to turn Off the Flood Light.
- **CYCLE:** Press when the Flood Light is On to cycle through the colors, fade mode, then Off.

## Mounting with Ground Stake

### 1 Insert Ground Stake

Find the desired location. Plant the Mounting Stake (C) by firmly pressing it into the soil, use a rubber mallet (not included) if necessary, until the entire stake is in the ground.



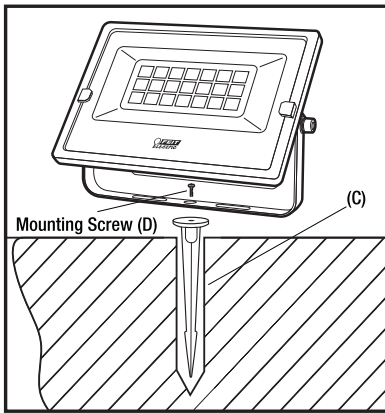
**NOTE:** If the soil is hard, dig or wet the ground, to make it easier to plant the stake.

### WARNING:

These products may represent a possible shock or fire hazard if improperly installed or attached in any way. Products should be installed in accordance with this install guide, current electrical codes and/or the current National Electric Code (NEC).

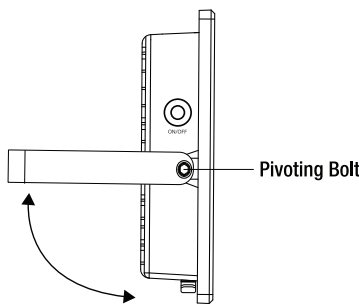
### 2 Attach LED Flood Light to Mounting Stake

Install LED Flood Light to Mounting Stake (C) by inserting Mounting Screw (D) through the middle slot of the Mounting Stake. Tighten screw with L-Shape Tool (E).

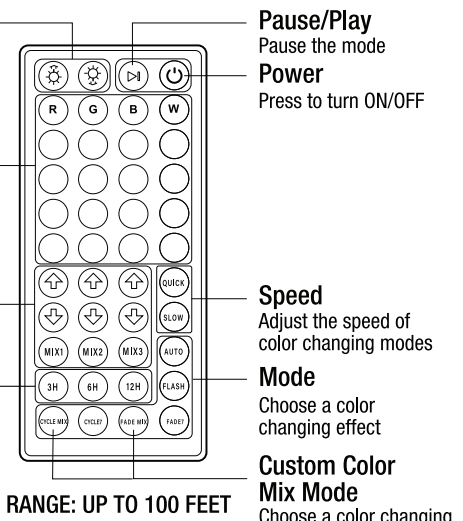


### 3 Adjust the LED Flood Light Angle

Pivot the Flood Light vertically into your desired position/angle. Once set, tighten the Pivoting Bolt using the L-Shape Tool (E).



**NOTE:** Device can be mounted on the wall, ceiling or floor.



RANGE: UP TO 100 FEET

#### Set Timer

1. Choose a 3, 6, or 12 hour interval using the timer buttons.
2. The light will turn on once every day for the selected interval until the timer is canceled or the device is unplugged.
3. To cancel the timer, press one of the timer buttons rapidly three times until the Flood Light flashes twice indicating the timer has been canceled.

#### Create a Custom Color

1. Press the MIX1, MIX2, or MIX3 button
2. Create a custom color by adjusting Red, Green, and Blue using the up or down arrows.

#### Mode Description

- Auto: Rotate through different modes.
- Flash: Turns color On and Off.
- FadeMix: Smoothly transitions through custom colors.
- Fade7: Smoothly transitions through 7 preset colors.
- CycleMix: Rotates through custom colors.
- Cycle7: Rotates through 7 preset colors.

#### Control Multiple Flood Lights with One Remote

Multiple Flood Lights can be controlled together by pairing them to one remote.

#### How to Pair to a New Remote

Plug in the Flood Light you would like to pair. Within 3 seconds, press and hold the power button on the new remote. The Flood Light will blink 3 times and be controlled by that remote. It will no longer be controlled by the original remote.

#### How to Unpair

To make it so no remote controls the Flood Light, plug in your Flood Light. Within 3 seconds press and hold the power button on the remote it is currently paired with. The Flood Light will flash 6 times to show it is unpaired. The Flood Light can be controlled by the On/Off button on the unit or later paired with another remote.

**NOTE:** Obstructions can reduce the range of the remote. Test the remote performance before installation.