



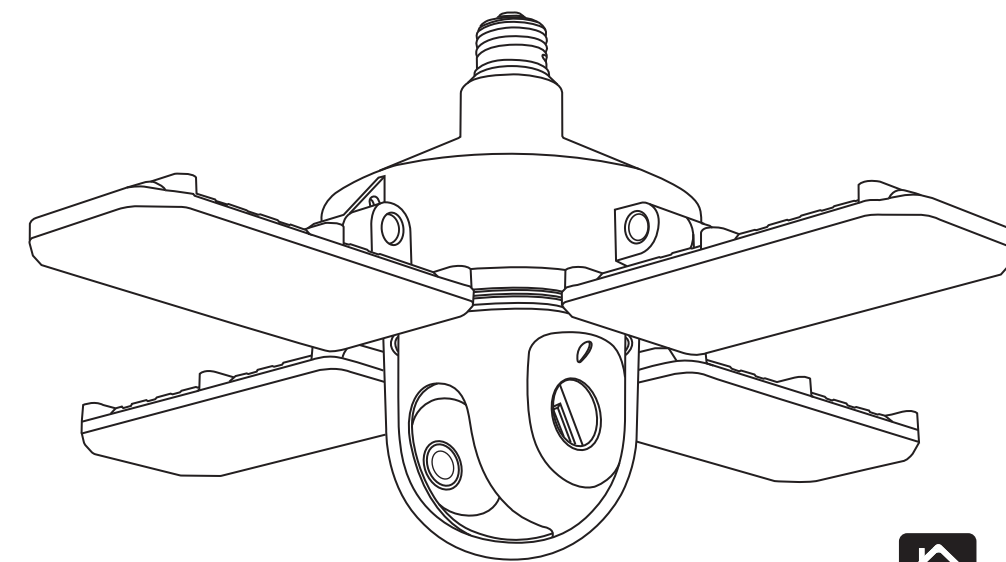
Model: ADJ/CAM/PAN/WIFI/LED



Thank you for your purchase. Questions, comments or feedback? We'd love to hear from you. Visit feit.com/help for support.

SMART CAMERA PANEL LIGHT WITH PAN & TILT

IMPORTANT SAFETY INSTRUCTIONS AND INSTALLATION GUIDE



Only supports 2.4GHz Wi-Fi Networks

READ BEFORE INSTALLATION. SAVE THESE INSTRUCTIONS.

Questions, problems, missing parts? Before returning to store, visit feit.com/help for further assistance.



REV012

We appreciate the trust and confidence you have placed in Feit Electric through the purchase of this product. We strive to continually create quality products designed to enhance your home. Visit us online to see our full line of products available for your home improvement needs. Thank you for choosing Feit Electric.

Table of Contents

Safety Information	2
FCC Statement	2
Limited Warranty	2
Pre-Assembly	3
Description	3
Installation	4
App Setup	5
Need Help?	5
Troubleshooting	6

Safety Information

IMPORTANT SAFEGUARDS: ALWAYS FOLLOW BASIC SAFETY PRECAUTIONS WHEN USING ELECTRICAL PRODUCTS, ESPECIALLY WHEN CHILDREN ARE PRESENT.

CAUTION: Please read all information carefully before installation.

CAUTION: Suitable for Damp Locations.

CAUTION: Use only on 120VAC 60Hz circuit. This product is not user-serviceable. Do not attempt to open the product enclosure for any reason. Reliable operating temperature is -4°F to 113°F (-20°C to 45°C).

CAUTION: This device is not intended for use with emergency exits.

CAUTION: Do not use with dimmers.

Supplier's Declaration of Conformity:
47 CFR § 2.1077 Compliance Information
Responsible Party:
Feit Electric Company
4901 Gregg Road,
Pico Rivera, CA 90660, USA
562-463-2852
Unique Identifier:
ADJ/CAM/PAN/WIFI/LED

This device complies with part 15 of the FCC Rules. Operation is subject to the following two conditions: (1) This device may not cause harmful interference, and (2) this device must accept any interference received, including interference that may cause undesired operation. Note: This equipment has been tested and found to comply with the limits for a Class B digital device, pursuant to part 15 of the FCC Rules. These limits are designed to provide reasonable protection against harmful interference in a residential installation. This equipment generates, uses and can radiate radio frequency energy and, if not installed and used in accordance with the instructions, may cause harmful interference to radio communications. However, there is no guarantee that interference will not occur in a particular installation. If this equipment does cause harmful interference to radio or television reception, which can be determined by turning the equipment off and on, the user is encouraged to try to correct the interference by one or more of the following measures: Reorient or relocate the receiving antenna, increase the separation between the equipment and receiver, connect the equipment into an outlet on a circuit different from that to which the receiver is connected. Consult the dealer or an experienced radio/TV technician for help. Any changes or modifications not expressly approved by the manufacturer could void the user's authority to operate the equipment.

The device has been evaluated to meet general RF exposure requirement.

The device can be used in mobile (min 7.87 in.) exposure condition without restriction.

Limited Warranty

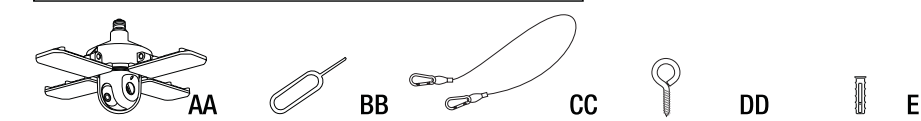
This product is warranted to be free from defects in workmanship and materials for up to 1 year from date of purchase. If the product fails within the warranty period, please visit feit.com/help for instructions on replacement/refund or call 866-326-BULB. REPLACEMENT OR REFUND IS YOUR SOLE REMEDY. EXCEPT TO THE EXTENT PROHIBITED BY APPLICABLE LAW, ANY IMPLIED WARRANTIES ARE LIMITED IN DURATION TO THE DURATION OF THIS WARRANTY. LIABILITY FOR INCIDENTAL OR CONSEQUENTIAL DAMAGES IS HEREBY EXPRESSLY EXCLUDED. Some states and provinces do not allow the exclusion of incidental or consequential damages, so the above limitation or exclusion may not apply to you. This warranty gives you specific legal rights, and you may also have other rights which vary from state to state or province to province.

2 FEIT ELECTRIC COMPANY | PICO RIVERA, CA | www.feit.com

Pre-Assembly

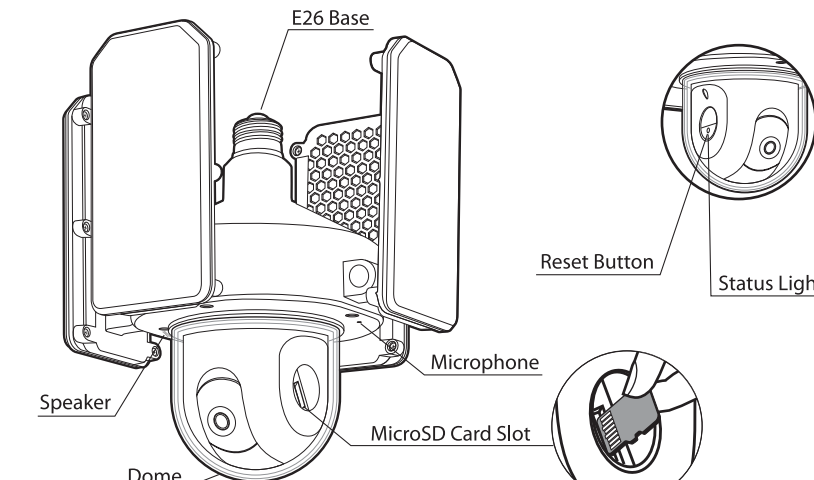
HARDWARE INCLUDED

NOTE: Hardware not shown to actual size.



Part	Description	Quantity
AA	Smart Camera Panel Light	1
BB	Reset Pin	1
CC	Safety Cable	1
DD	Mounting Screw Eye Hook	1
EE	Mounting Anchor	1

Description



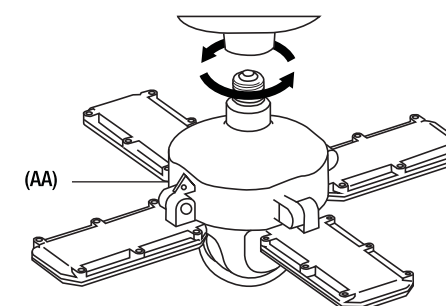
Input Power: 120VAC 60Hz, 125W			
Status Light	Blinking RED = Pairing Mode	MicroSD Card Slot	Add a maximum 128GB MicroSD card (sold separately) to enable recording. Only supports MicroSD card with FAT32 format.
	Solid RED = Rebooting		
	Blinking BLUE = No Wi-Fi Connection	Reset Button	Press and hold for five seconds with the Reset Pin (BB) to reset the camera.
	Solid BLUE = Connected to Wi-Fi		

3 FEIT ELECTRIC COMPANY | PICO RIVERA, CA | www.feit.com

Installation

1 Installing the smart camera panel light

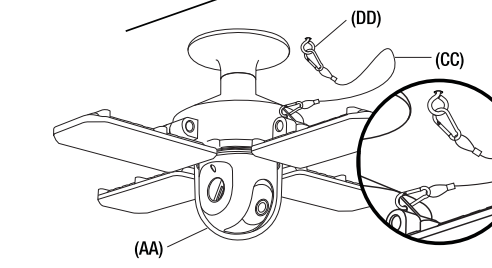
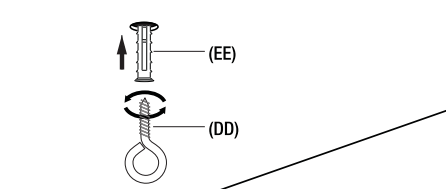
Turn off the light switch before installing. Screw in the Smart Camera Panel Light (AA) clockwise into an E26 socket until it is fully secure.



2 Mounting the safety cable

Drill a hole if installing on a surface such as drywall or concrete. Insert the Mounting Anchor (EE) into the hole. Screw in the Mounting Screw Eye Hook (DD) to the Mounting Anchor (EE). Secure the carabiner clips from the Safety Cable (CC) to the Mounting Screw Eye Hook (DD) and Smart Camera Panel Light (AA).

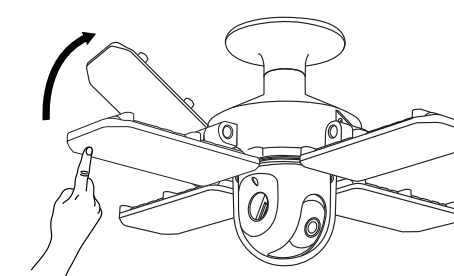
NOTE: The screw eye hook can be installed directly into the wood surface.



4 FEIT ELECTRIC COMPANY | PICO RIVERA, CA | www.feit.com

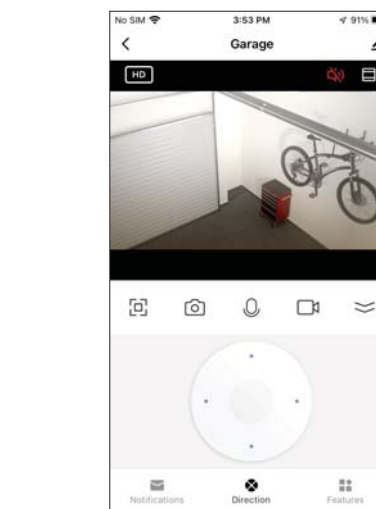
3 Adjusting the panel lights

Carefully push each individual light panel upwards until desired lighting angle is achieved.



4 Adjusting the camera in app

Turn ON the light switch. Add the device to the Feit Electric app (see the App Setup section). In the app, use the **Direction** pad or move the screen with your finger(s) to pan(s) or tilt the camera until the desired viewing angle is achieved.



APP Setup

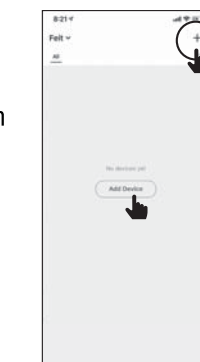
Downloading and installing the Feit Electric app

- Search for the Feit Electric app in the App Store or Google Play Store.
- Download and install the Feit Electric app on your smart device.
- Connect to a 2.4GHz Wi-Fi network that covers your installation location.

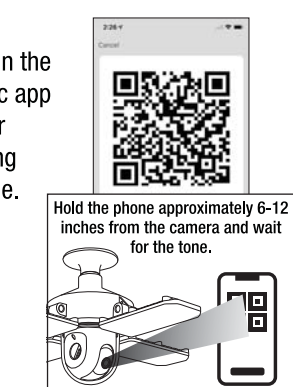


Setting Up the Smart Camera Panel Light using the Feit Electric App

- Check to be sure the camera is in pairing mode. The RED status light must be blinking rapidly to connect. If the light is not already blinking, press and hold the Reset Button until you hear an audible tone. Use the Feit Electric app to complete the setup.
- Tap Add Device or the + sign. Tap Security & Camera and then select Camera. You will be prompted to enter your Wi-Fi network and password.



- Follow the directions in the Feit Electric app to pair your device using the QR code.



- You can find more pairing methods in the dropdown menu on the device set-up page.



Need Help?

Thank you for your purchase. Questions, comments or feedback? We'd love to hear from you. Visit feit.com/help for support or connect with us:



5 FEIT ELECTRIC COMPANY | PICO RIVERA, CA | www.feit.com

Troubleshooting

PROBLEM	CORRECTIVE ACTION
Camera will not connect to my Wi-Fi network	<ul style="list-style-type: none"> Make sure the LED is blinking red. If the LED is not blinking red, press and hold Reset Button until for 5 seconds or until you hear an audible tone. Make sure the Wi-Fi network is a 2.4GHz network. Device will not connect to a 5GHz network. Test your Wi-Fi network with other devices such as your phone or computer to make sure it is operating properly. The Wi-Fi connection may be out of pairing range. Use your phone to check the Wi-Fi signal strength: it is recommended to have at least 2 signal bars showing for proper connection. Your Wi-Fi network password is case sensitive, make sure you are entering it correctly.
The camera is offline	<ul style="list-style-type: none"> There could be a temporary issue with your internet connection (e.g., service disruption). Please try again in a few minutes. Make sure your Wi-Fi router is turned On. The camera may not have power to it. Make sure the wall switch and breaker are in the On position. Make sure the camera is getting a good signal from your Wi-Fi router. Use your phone to check Wi-Fi signal strength: it is recommended to have at least 2 signal bars showing for proper connection. The camera may have been disconnected from your Wi-Fi network. Press and hold the Reset Button until you see a blinking red LED and hear an audible tone. Follow directions in the App Setup section of the manual to re-connect the camera to your Wi-Fi network.
What do the blinking LEDs mean?	<ul style="list-style-type: none"> Blinking RED = Pairing Mode Solid RED = Rebooting Blinking BLUE = No Wi-Fi Connection Solid BLUE = Connected to Wi-Fi <p>Camera streaming issues may be caused by any of the following:</p> <ul style="list-style-type: none"> Your phone's cellular connection, which relies on mobile coverage. Limited internet bandwidth at home. For example, other video streaming services running at the same time on your network can cause congestion slowing down the internet upload and download speeds. Wi-Fi reception may not be stable or work reliably if the camera's Wi-Fi signal strength is less than 2 signal bars. You may need to install a Wi-Fi repeater or extender to boost the Wi-Fi signal.
Live video stream is slow to load	
How do I reset the camera to reenter pairing mode?	<ul style="list-style-type: none"> Press and hold Reset Button until you see a blinking red LED and hear an audible tone.
The camera is not recording	<ul style="list-style-type: none"> Under the SD Card and Record Settings in the Feit Electric app, make sure the Record Switch is turned On. Make sure that the MicroSD Card (sold separately) is installed correctly. To confirm that the camera is recognizing the MicroSD Card, go to the Settings menu in the Feit Electric app. Then, go to the SD Card and Record Settings menu and make sure the MicroSD Card capacity menu shows, used, and free space. If this does not appear, consider reformatting the MicroSD Card. WARNING: Reformatting MicroSD Card will delete all videos stored on card. Please go through the troubleshooting section before doing so or contact our Customer Support Team.
How do I set the camera to Event or Continuous Recording?	<ul style="list-style-type: none"> In the Settings menu under SD Card and Record Settings, make sure Record Switch is turned On, and then select Event Recording or Continuous Recording.
How can I check the available space on the MicroSD Card?	<ul style="list-style-type: none"> In the Settings menu under SD Card and Record Settings, you will see Used Space and Free Space. Note: Camera only supports 128GB or less MicroSD Cards with FAT32 format.
What happens when the MicroSD Card reaches full capacity?	<ul style="list-style-type: none"> Once the MicroSD Card reaches full capacity, new videos will start rewriting (deleting) over the oldest videos.
Can I use a new MicroSD Card if I do not want to record over existing videos?	<ul style="list-style-type: none"> Yes, you can use a new MicroSD Card if you do not want to record over existing videos. Remove the existing MicroSD Card from the side of the camera and replace a new one not exceeding 128GB capacity. Once this is completed, format the new MicroSD Card by going to the SD Card and Record Settings and pressing Format SD Card, then Confirm. WARNING: Reformatting MicroSD Card will delete all videos stored on card. Please go through the troubleshooting section before doing so or contact our Customer Support Team.

SD™, microSD™, and SDHC™ are trademarks or registered trademarks of SD-3C, LLC in the United States, other countries, or both.

6 FEIT ELECTRIC COMPANY | PICO RIVERA, CA | www.feit.com

RF exposure statement

This equipment meets the exemption from the routine evaluation limits in section 2.5 of RSS-102. It should be installed and operated with a minimum distance of 20cm between the radiator and any part of your body.

Cet équipement est conforme à l'exemption des limites d'évaluation habituelle de la section 2.5 de la norme RSS-102. Il doit être installé et utilisé à une distance minimale de 20 cm entre le radiateur et toute partie de votre corps.

IC WARNING

This device contains licence-exempt transmitter(s) that comply with Innovation, Science and Economic Development Canada's licence-exempt RSS(s). Operation is subject to the following two conditions:

- (1) This device may not cause interference.
- (2) This device must accept any interference, including interference that may cause undesired operation of the device.

L'émetteur/récepteur exempt de licence contenu dans le présent appareil est conforme aux CNR d'Innovation, Sciences et Développement économique Canada applicables aux appareils radio exempts de licence. L'exploitation est autorisée aux deux conditions suivantes:

1. L'appareil ne doit pas produire de brouillage;
2. L'appareil doit accepter tout brouillage radioélectrique subi, même si le brouillage est susceptible d'en compromettre le fonctionnement.