

Document : **User Manual for TOKEN Fob**

Model : **SVI-QXFGE03**

Project Code :

Version: 1.0

Date: May. 02. '18

Engineering change order-No.:

Design Freeze No.:

Number of pages: 7

Filename:

Contents list

Page

1.	System configuration	3
1.1	Scope of SMART KEY SYSTEM	3
1.2	Short description of the SYSTEM	3
1.2.1	General Definition of SMART KEY	3
1.2.2	Wireless Communication	3
1.2.3	Concept Description	3
1.3	System Overview / Block Diagram	4
2	Smart Key Fob button operation	6
2.1	Button operation	7
3	FCC/IC Compliance Statement	

Proprietary data, company confidential. All rights reserved.
Contitè a titre de secret d'entreprise. Tous droits réservés.
Comunicado como secreto empresarial. Reservados todos los derechos.
Confidado como secreto industrial. Nos reservamos todos los derechos.

Weitergabe sowie Vervielfältigung dieser Unterlage, Verwertung und Mitteilung ihres Inhalts nicht gestattet, soweit nicht ausdrücklich zugestanden. Zuwiderhandlungen verpflichten zu Schadenersatz. Alle Rechte vorbehalten, insbesondere für den Fall der Patenterteilung oder GM-Entragung

Editor : DM.Son	Document name	Project code
Version: 1.0 May. 02. 2018 ECO / DF No.	Identification No. : Document No.	Page 2 / 7
File:		

1. System configuration

1.1 Scope of SMART KEY SYSTEM

The System offers the following features:

- passive access for two doors, driver side and passenger side as well as trunk/tailgate
- passive start after interior detection of the SMART KEY FOB (without interior trunk and hat shelf detection)
- LF-RF communication
- passive access trunk/tailgate via the trunk lid switch at the trunk
- max. 3 SMART KEY FOBs can be handled by the system
- communication to the engine management system via a single line interface
- communication to the ESCL via a single line interface

1.2 Short description of the SYSTEM

1.2.1 General Definition of SMART KEY

The SMART KEY system is a system that allows the user to access and operate a vehicle in a very convenient way. To access the vehicle no traditional key or remote control unit is needed.

The user carries a SMART KEY FOB which itself does not require any conscious actions by the user (e.g. operate a button).

After being triggered the vehicle sends out a request in a limited range. If the SMART KEY FOB receives this request, it automatically sends a response to the vehicle. Then the system decides whether to perform a particular action (unlocking, locking...) or remain inactive.

1.2.2 Wireless Communication

Electromagnetic waves are used to exchange information between the vehicle and the SMART KEY FOB. Both, vehicle and SMART KEY FOB are equipped with a transmitter, a receiver and several antennas.

1.2.3 Concept Description

With this concept it is possible to have a set of interior antennas that covers the vehicle's interior and a set of exterior antennas that covers the vehicle's exterior.

For an unambiguous separation between the vehicle's interior and exterior it is sufficient that at least one area is covered exactly by the corresponding operating ranges of the antennas.

The functions of the SMART KEY system have to be provided in a clearly defined and limited range. For the up-link from the vehicle to the SMART KEY FOB, a magnetic field with a frequency of 125 kHz and ASK modulation is used. Inductive antennas in and at the vehicle radiate the electromagnetic energy.

Editor : DM.Son	Document name	Project code
Version: 1.0 May. 02. 2018 ECO / DF No.	Identification No. : Document No.	
File:		Page 3 / 7

Technical aspects of 125 kHz – magnetic field:

- virtually no reflections,
- cubical decrease of field strength → allows good range control,
- released frequency band (ISM),
- high penetration,
- low quiescent current demand due to 125 kHz input stage (SMART KEY FOB),
- less sensitive for detuning compared to higher frequency.

For the down-link from the SMART KEY FOB to the vehicle, the standard radio frequency (RF) is used (similar to the classic remote control functions) with FSK modulation.

1.3 System Overview / Block Diagram

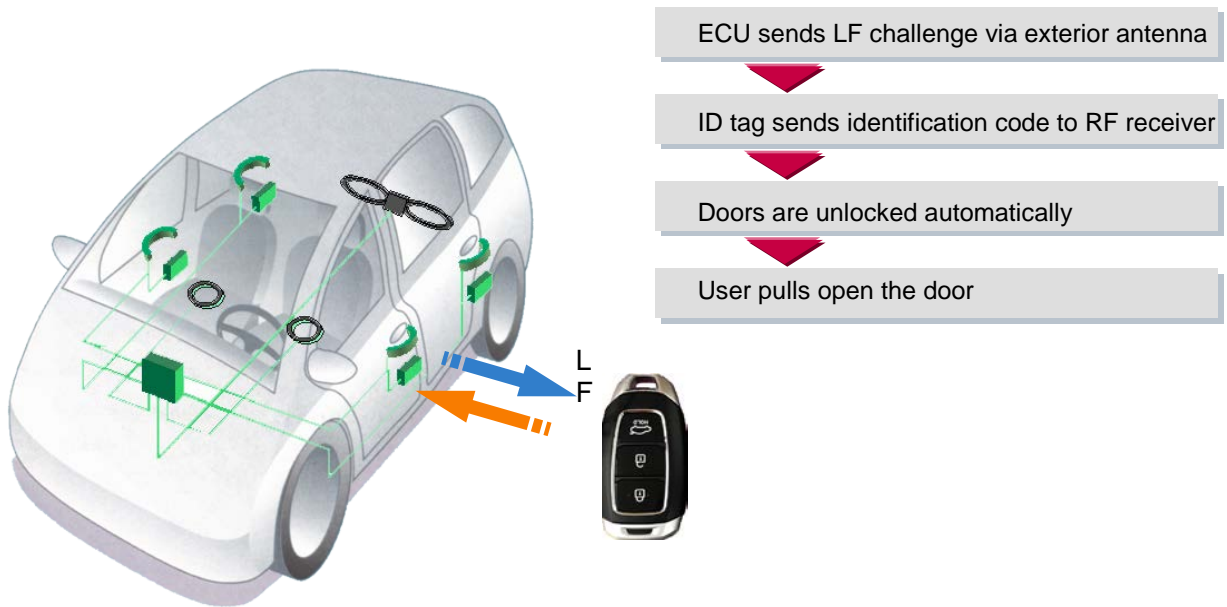


Figure 1: Principle of Communication

Editor : DM.Son	Document name	Project code
Version: 1.0 May. 02. 2018 ECO / DF No.	Identification No. : Document No.	
File:		Page 4 / 7

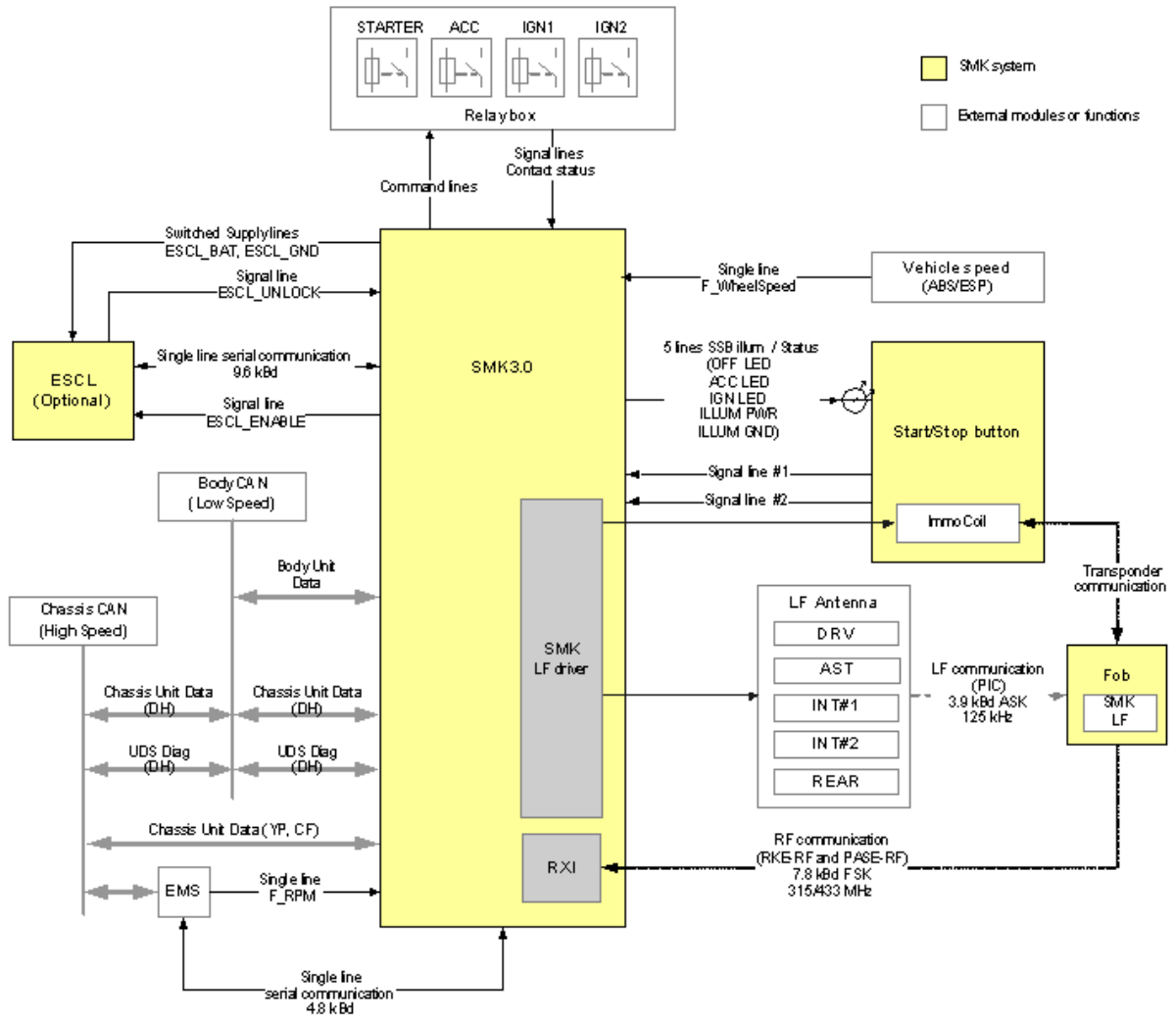
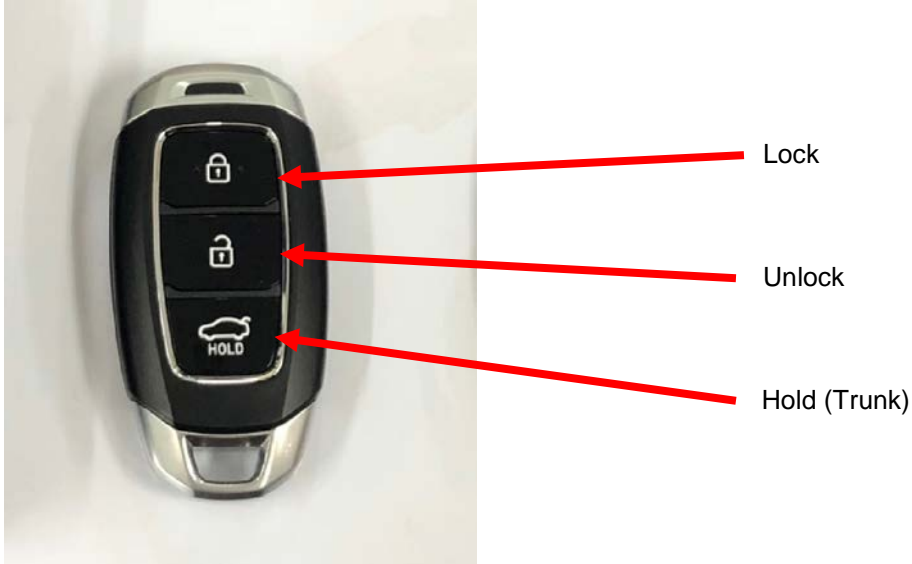


Figure 2: System Block Diagram

Editor : DM.Son	Document name	Project code
Version: 1.0 May. 02. 2018	ECO / DF No.	
File:	Identification No. : Document No.	Page 5 / 7

2 Smart Key Fob button operation

2.1 Button operation



You can lock, unlock, trunk and hold your vehicle with this remote transmitter.

Lock

- When you push this button, all the doors will be locked.
- You can not lock any of the doors with this remote transmitter if any door is open or the key is in the fob holder.

Unlock

- When you push this button, all the doors will be unlocked.
- You can not unlock any of the doors with this remote transmitter if any door is open or the key is in the fob holder.

HOLD(Trunk)

- When you push this button and hold more than 1 second, the trunk will be opened.

Editor : DM.Son	Document name	Project code
Version: 1.0 May. 02. 2018 ECO / DF No.	Identification No. : Document No.	Page 6 / 7
File:		

3 FCC/IC Compliance Statement

FCC Compliance Statement.

**This device complies with part 15 of the FCC Rules.
 Operation is subject to the following two conditions :**

- (1) This device may not cause harmful interference, and**
- (2) This device must accept any interference received, including interference that may cause undesired operation.**

Do Not



Any changes or modifications to the equipment not expressly approved by the party responsible for compliance could void user's authority to operate the equipment.

IC Compliance Statement.

**This device complies with Industry Canada licence-exempt RSS standard(s).
 Operation is subject to the following two conditions:**

- (1) This device may not cause interference, and**
- (2) This device must accept any interference, including interference that may cause undesired operation of the device.**

Le present appareil est conforme aux CNR d'Industrie Canada applicables aux appareils radio exempts de licence. L'exploitation est autorisée aux deux conditions suivantes :

- (1) l'appareil ne doit pas produire de brouillage, et
- (2) l'utilisateur de l'appareil doit accepter tout brouillage radioélectrique subi, même si le brouillage est susceptible d'en compromettre le fonctionnement.

**Model: SVI-QXFGE03
 FCC ID: SY5QXFGE03
 IC: 8325A-QXFGE03**

Editor : DM.Son	Document name	Project code
Version: 1.0 May. 02. 2018 ECO / DF No.	Identification No. : Document No.	Page 7 / 7
File:		