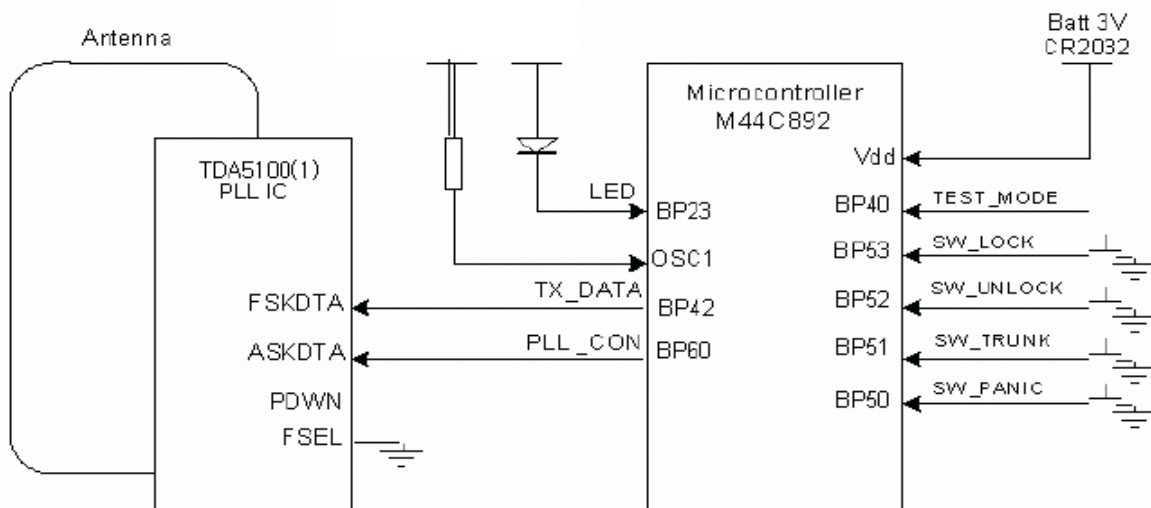


Operating Description

1. Device concept

This device is a radio transmitter that control the central doors locking / unlocking, trunk release and panic activity of an automotive vehicle. This system will be a part of the equipment of the KMC GH F/L vehicle

2. Block Diagram



3. Data Encoding Part

The MCU(M44C892) transmits data telegram to the PLL IC when the switch is pressed. And the each function(Lock,Unlock,Trunk,Panic) is divided by the action byte that is included in the data telegram.

4. Modulation, Antenna and Power source

Modulation : FSK (1KHz Baud rates)

Antenna : Radio transmission is carried out through PCB pattern antenna.

Power source : Panasonic CR2032 3V Coin Type Battery