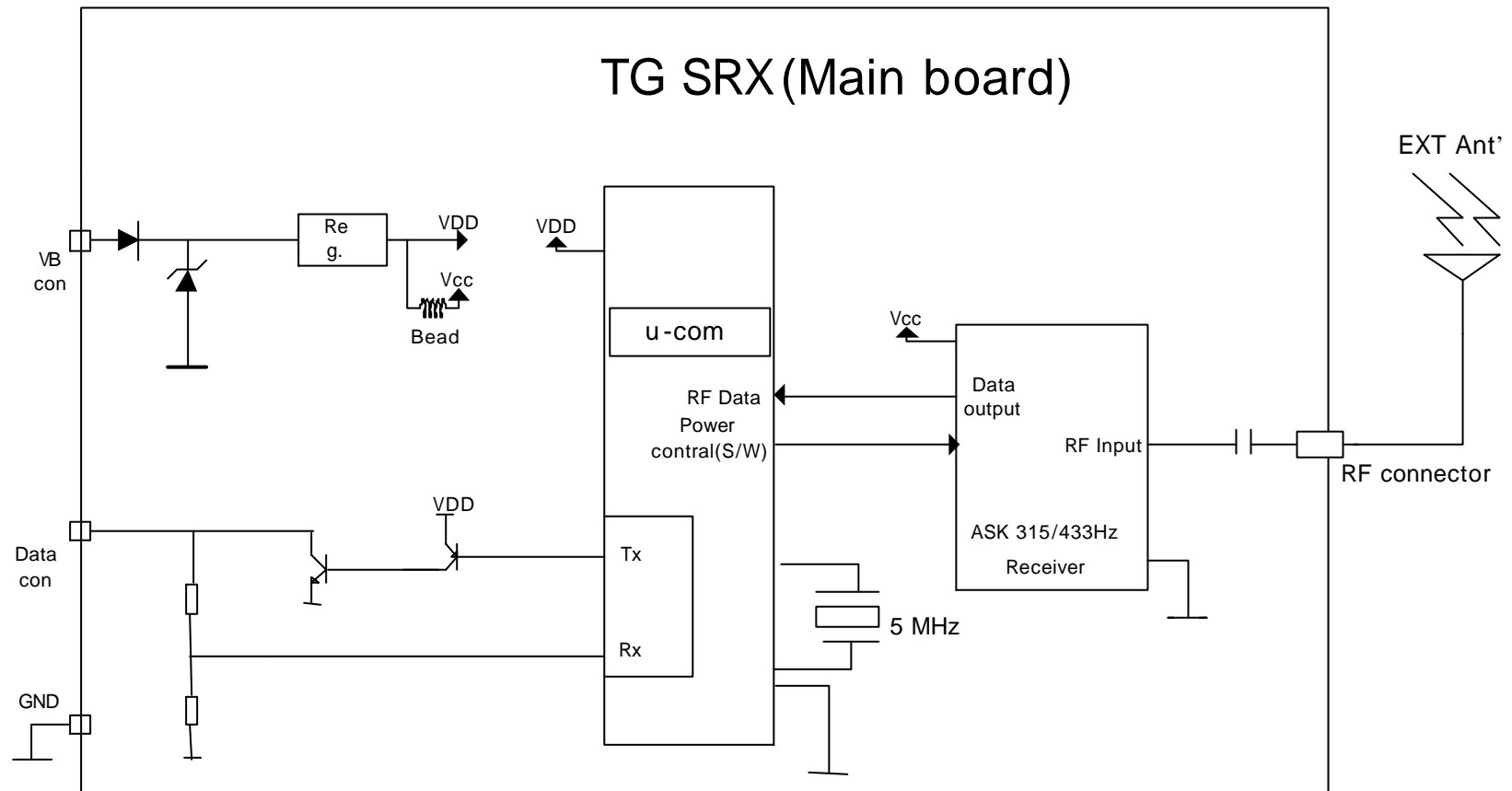


# TG SRX (Main board)



**6. Schematic Block diagram (RF Module)**

- 5WY8230

