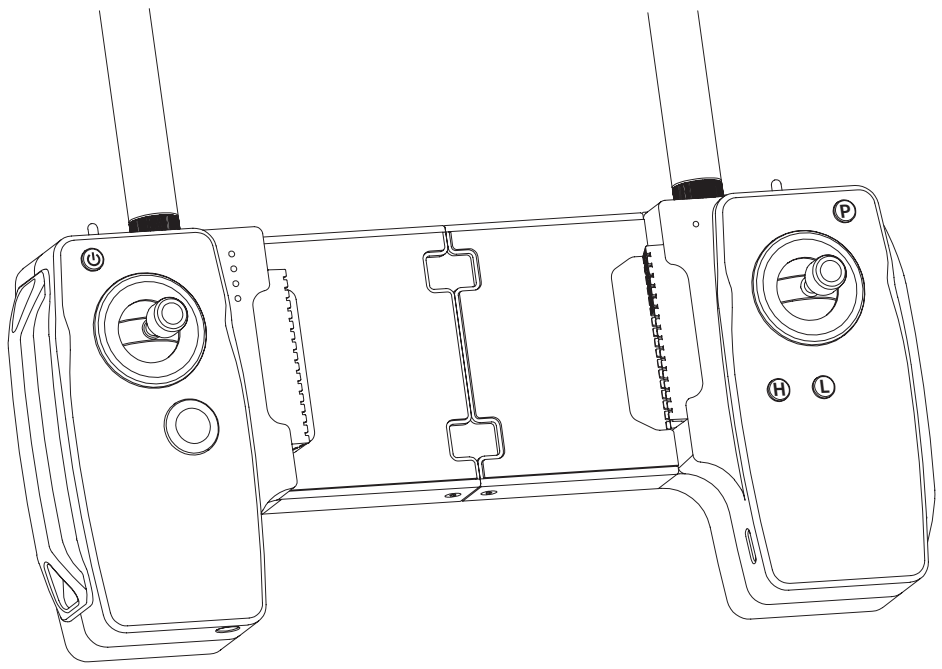


V2.0

2021.6



Product description

Introduction

M12 Pro remote control adopts high-definition low-latency digital transmission technology to provide high-definition, low-latency integrated image and data transmission solutions for industrial applications. It supports up to 15Mbps bit stream image transmission, and the transmission distance can reach 17km.

M12 Pro Parameters Table

Project		Parameters
Parameters	Battery	18650 (5200mAh@7.4V)
	Charging	12V/2A
	Rated power	15W
	Charging time	about 5 hours
	Battery life	about 5 hours
	Operating temperature	-20° C~40° C
	Storage temperature	-30°C ~60°C (Within a month)
		-30°C ~45°C (One month to three months)
		-30°C ~35°C (Three months to six months)
-30°C ~25°C (More than six months)		
Charging temperature	5° C~40° C	
Size	250 x 148 x 63mm (The antenna is folded, and the remote control is not unfolded to the left and right)	
	360 x 304 x 63mm (The antenna is unfolded, and the remote control is unfolded to the left and right to the maximum)	

This equipment has been tested and found to comply with the limits for a Class B digital device, pursuant to part 15 of the FCC Rules. These limits are designed to provide reasonable protection against harmful interference in a residential installation. This equipment generates, uses and can radiate radio frequency energy and, if not installed and used in accordance with the instructions, may cause harmful interference to radio communications. However, there is no guarantee that interference will not occur in a particular installation. If this equipment does cause harmful interference to radio or television reception, which can be determined by turning the equipment off and on, the user is encouraged to try to correct the interference by one or more of the following measures:

- Reorient or relocate the receiving antenna.
- Increase the separation between the equipment and receiver.
- Connect the equipment into an outlet on a circuit different from that to which the receiver is connected.
- Consult the dealer or an experienced radio/TV technician for help.

Caution: Any changes or modifications to this device not explicitly approved by manufacturer could void your authority to operate this equipment.

This device complies with part 15 of the FCC Rules. Operation is subject to the following two conditions: (1) This device may not cause harmful interference, and (2) this device must accept any interference received, including interference that may cause undesired operation.

The device has been evaluated to meet general RF exposure requirement.