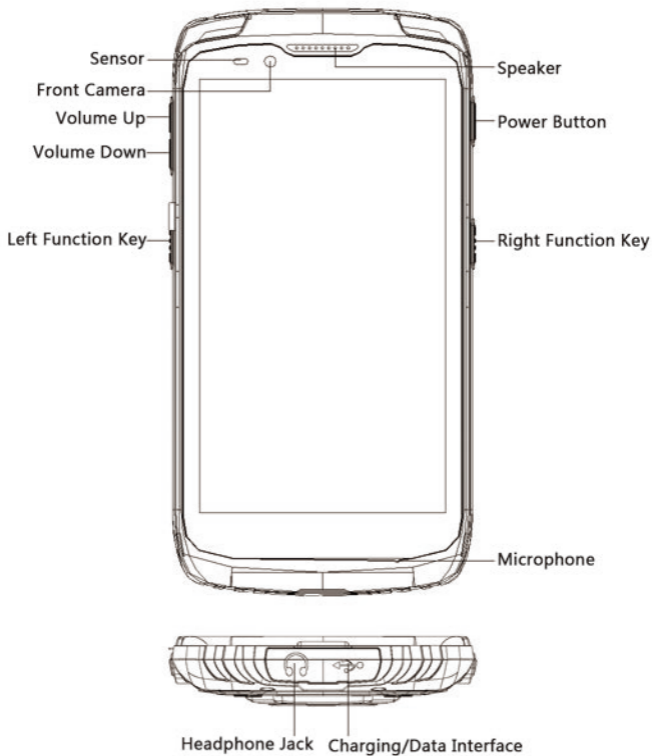


# LT40 Series Quick Guide

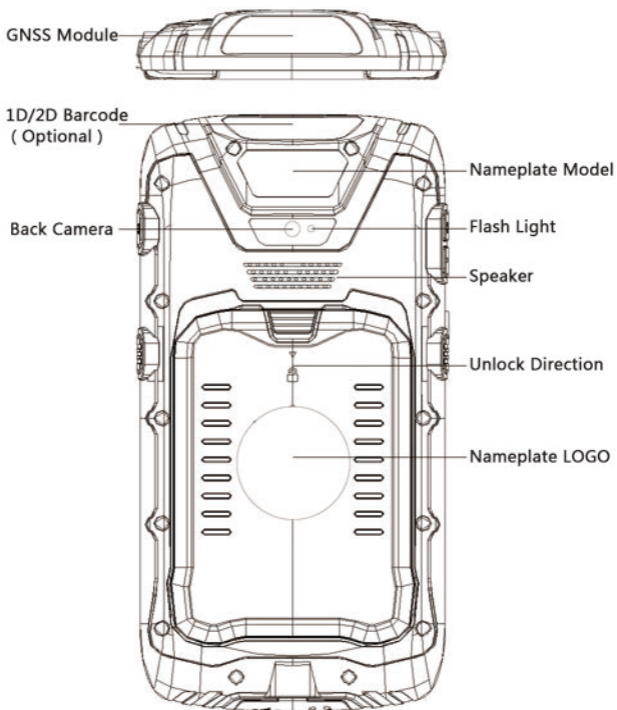
Thanks For Using CHC Product



# LT40 Front View



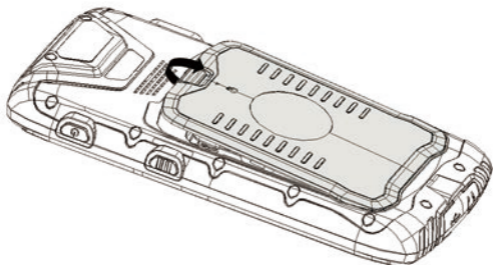
# LT40 Back View



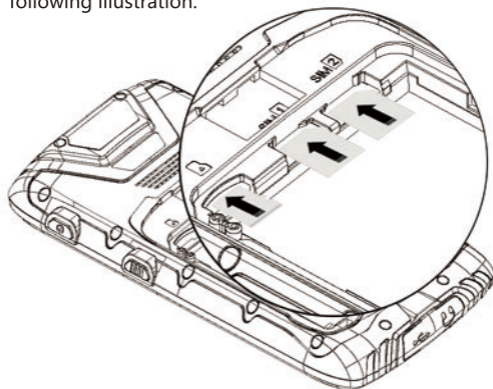
# LT40 Installation

Please follow the instructions below to install correctly. After installation, long press the power button to turn it on.

1. Power off LT40, unlock it and pull out the back cover.



2. Please insert SIM card and Micro CD card as shown in the following illustration.



## **RF Exposure Information (SAR) :**

The SAR limit of USA (FCC) is 1.6W/Kg averaged over one gram of tissue. Product, model number:LT-40(FCC ID:SY4-B01007) has also been tested against this SAR limit. The highest SAR value reported under this standard during product certification for use at the head is 1.05 W/Kg and when properly worn on the body is 1.18 W/Kg. The device was tested for typical body-worn operations with the back of headset kept 0mm from the body. To maintain compliance with FCC RF exposure requirements, use hotspot mode that maintain a 10mm separation distance between the user body

This device complies with part 15 of the FCC Rules. Operation is subject to the following Two conditions:(1) This device may not cause harmful interference , and (2)this device must accept any interference received, including interference that may cause undesired operation.

Any changes or modifications not expressly approved by the party responsible for compliance could void the user's authority to operate the equipment.

Note: This equipment has been tested and found to comply with the limits for a Class B digital device, pursuant to part 15 of the FCC Rules. These limits are designed to provide reasonable protection against harmful interference in a residential installation. This equipment generates, uses and can radiate radio frequency energy and, if not installed and used in accordance with the instructions, may cause harmful interference to radio communications. However, there is no guarantee that interference will not occur in a particular installation. If this equipment does cause harmful interference to radio or television reception, which can be determined by turning the equipment off and on, the user is encouraged to try to correct the interference by one or more of the following measures:

- Reorient or relocate the receiving antenna.
- Increase the separation between the equipment and receiver.
- Connect the equipment into an outlet on a circuit different from that to which the receiver is connected.
- Consult the dealer or an experienced radio/TV technician for help.