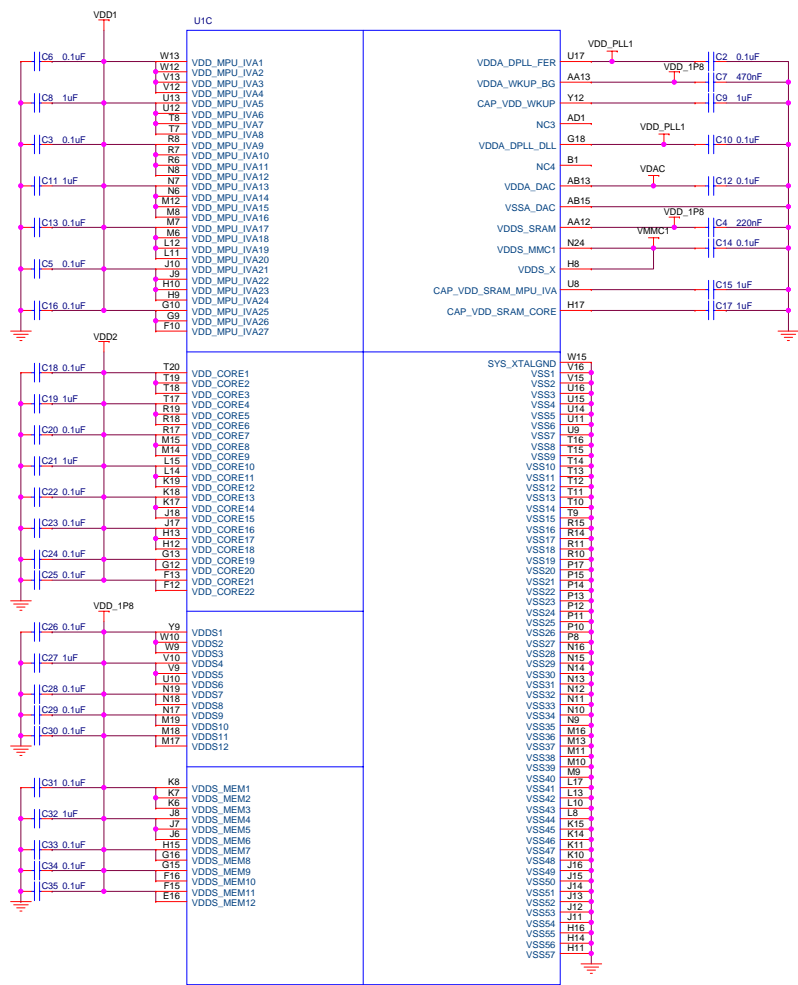
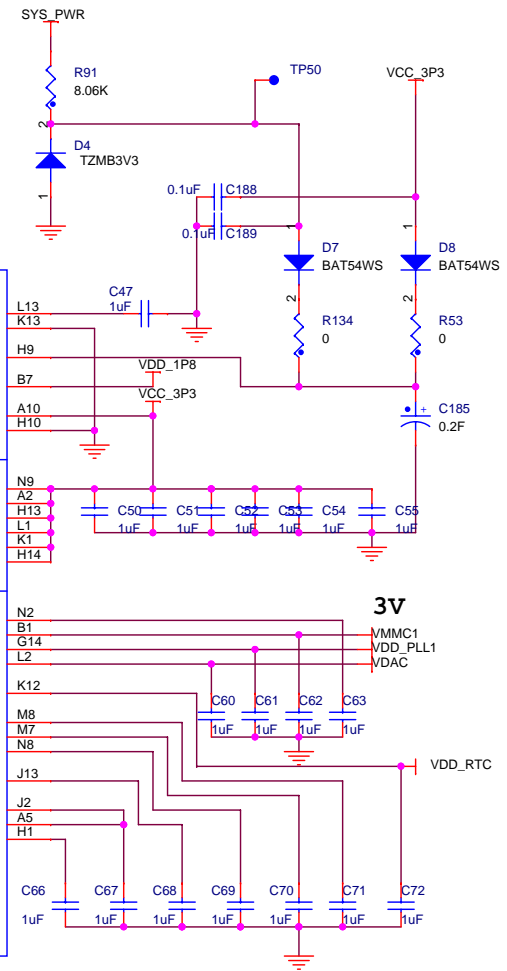
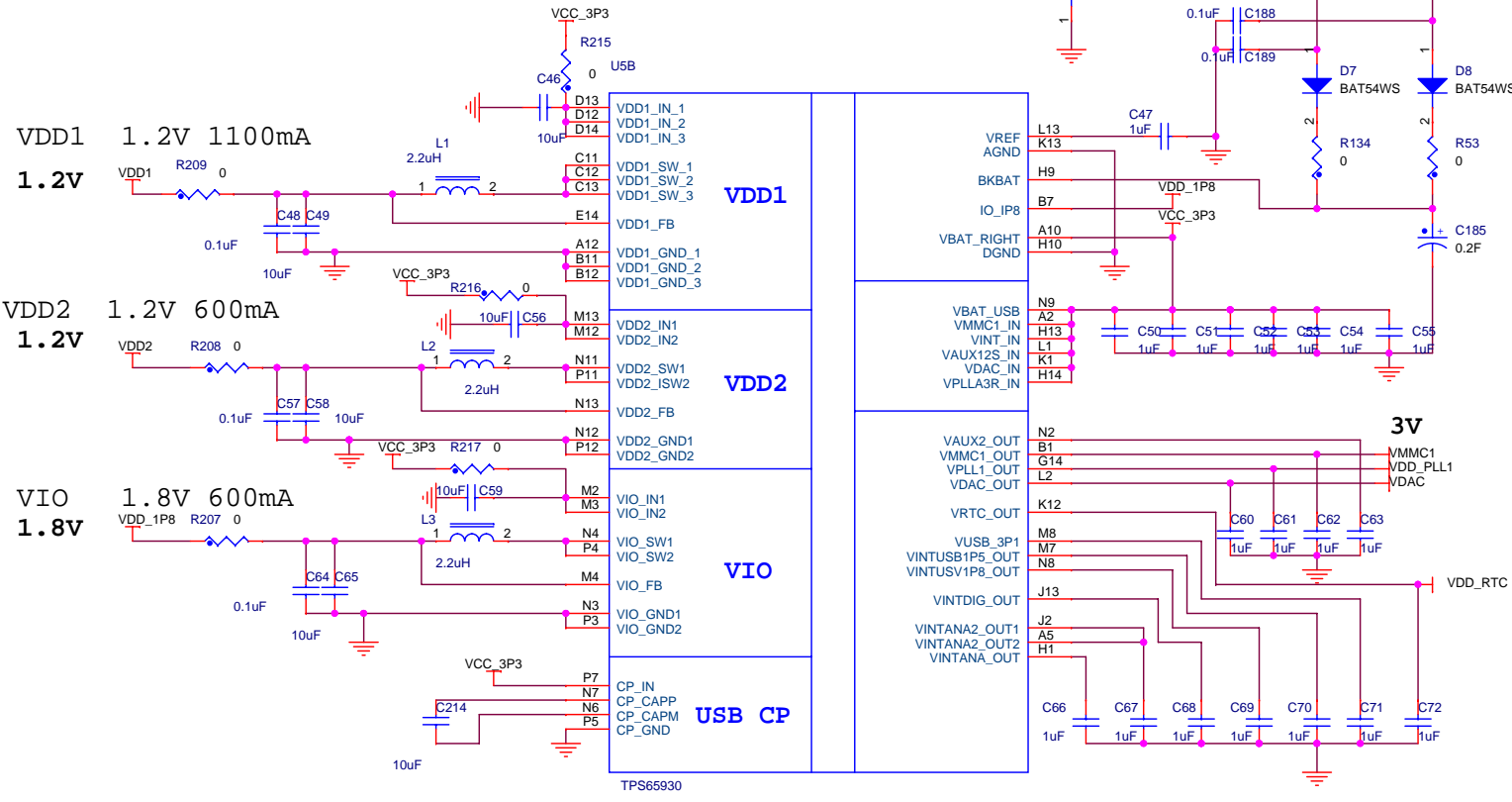
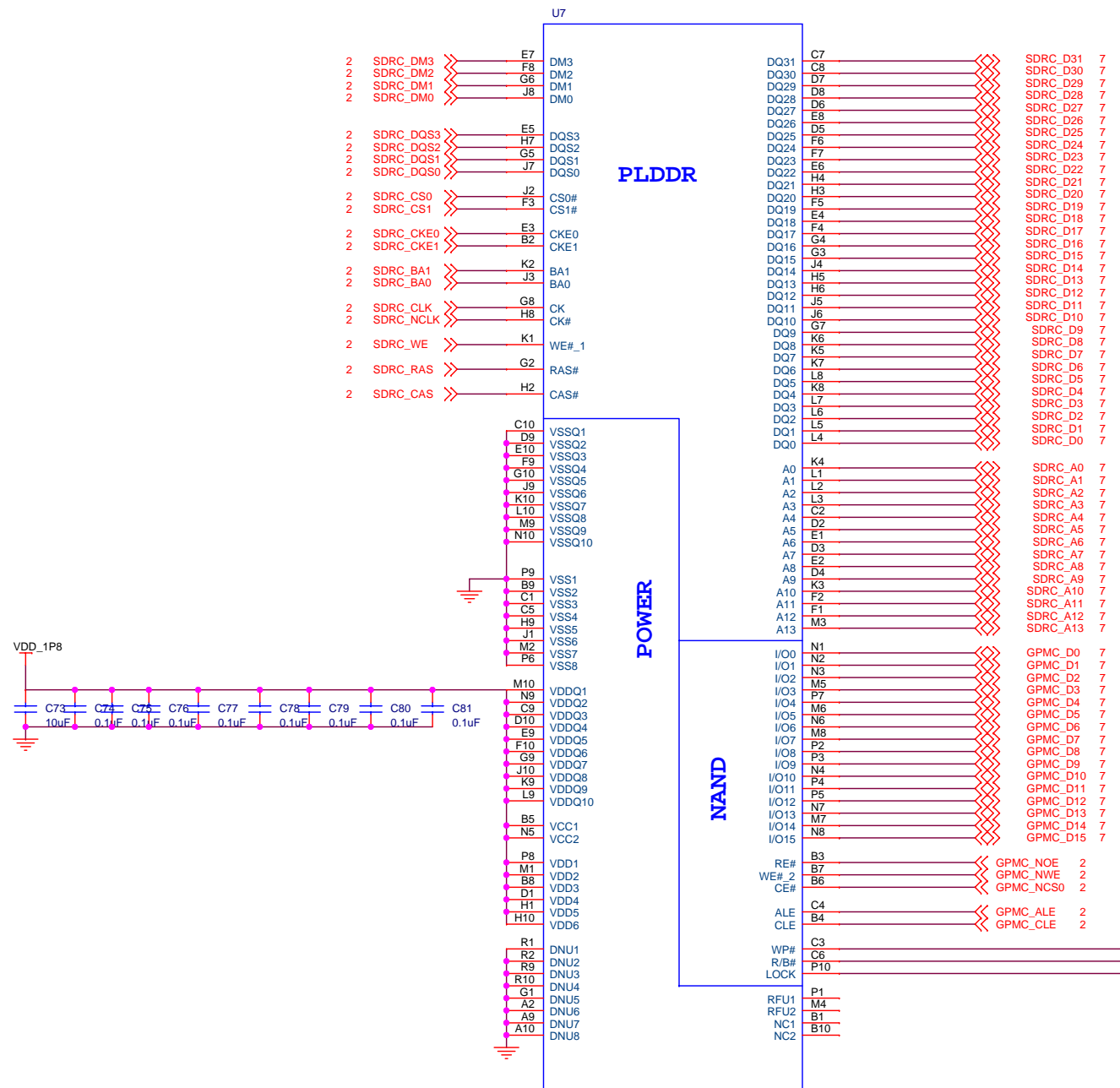


Title		<Title>
Size	Document Number	Rev
B	<Doc>	<RevCode>
Date:	Monday, August 25, 2014	Sheet 2 of 17

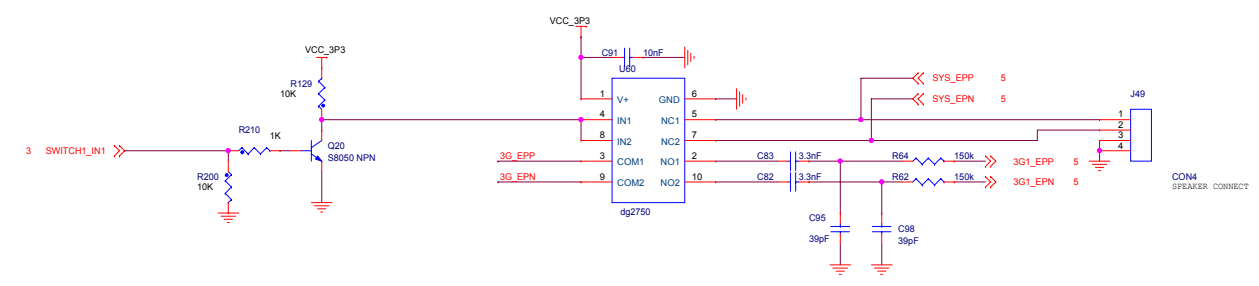
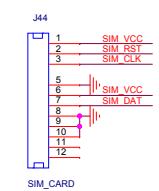
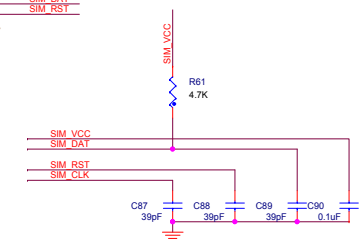
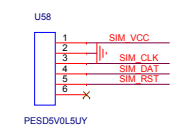
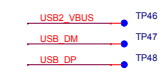
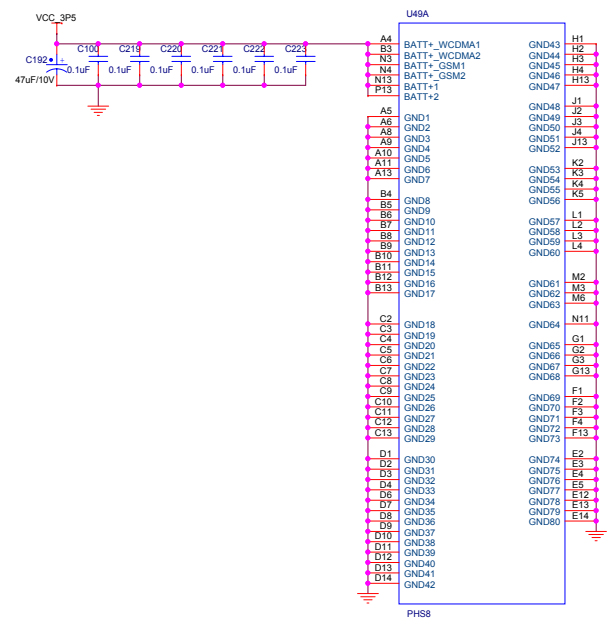




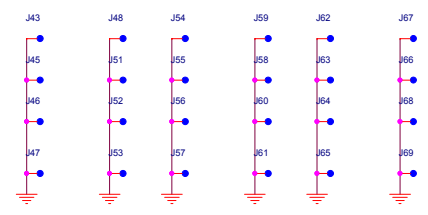
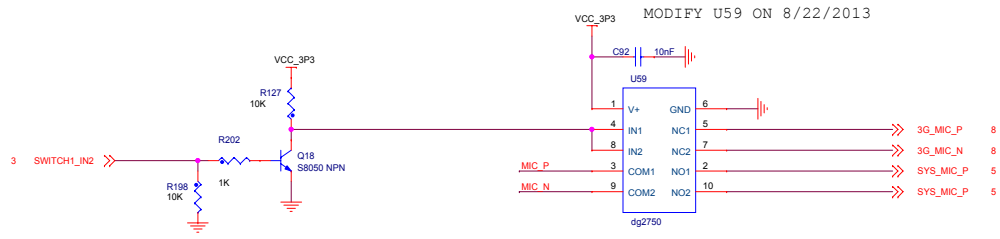
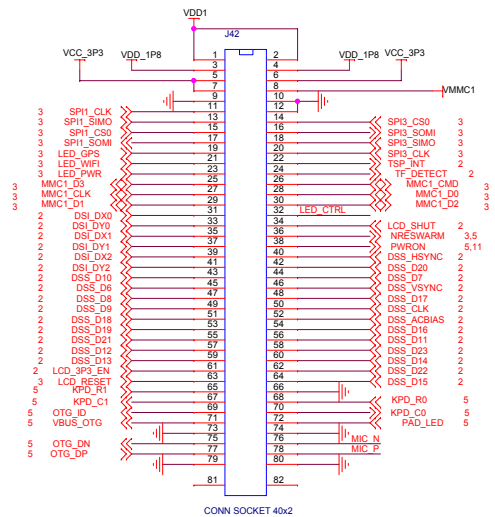
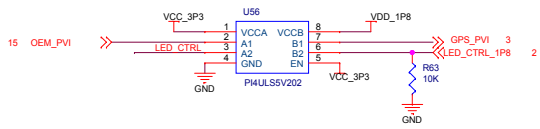
Title		<Title>
Size	Document Number	Rev
B	<Doc>	<RevCode>
Date:	Monday, August 25, 2014	Sheet 6 of 17

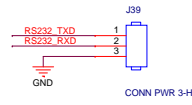
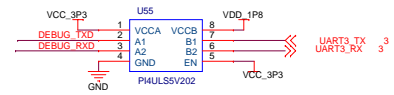
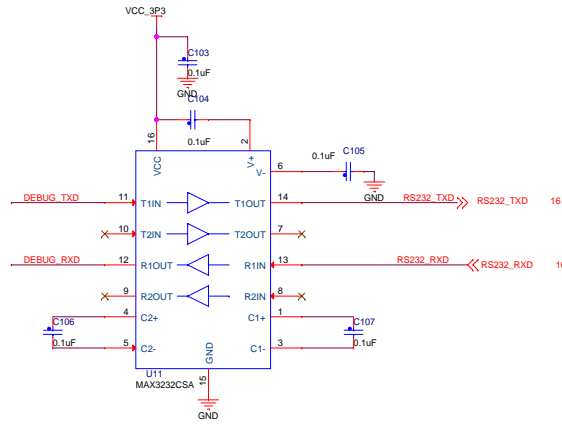


Title		<Title>
Size	Document Number	Rev
B	<Doc>	<RevCode>
Date:	Monday, August 25, 2014	Sheet 7 of 17

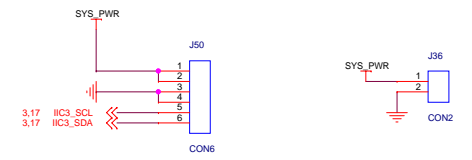
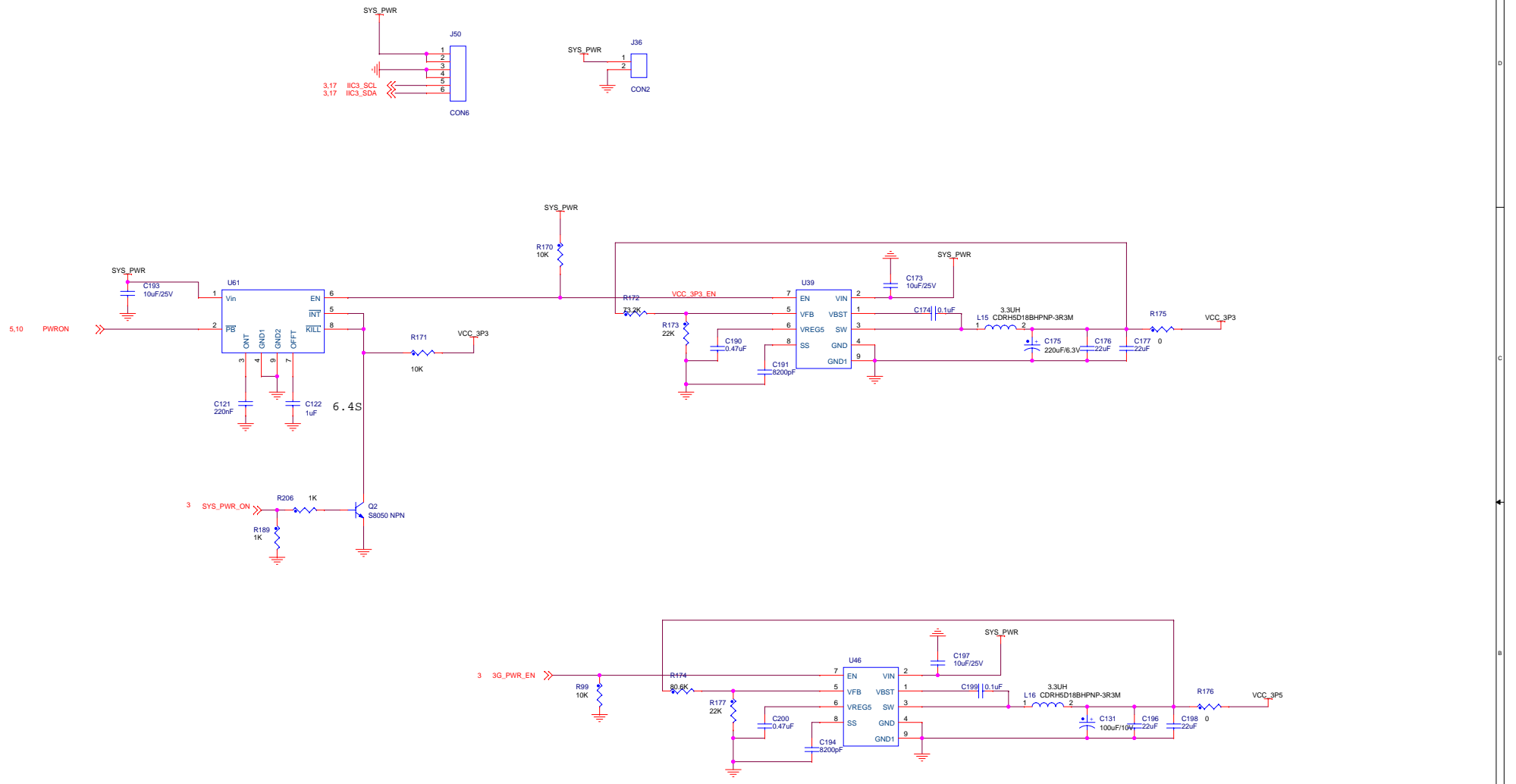


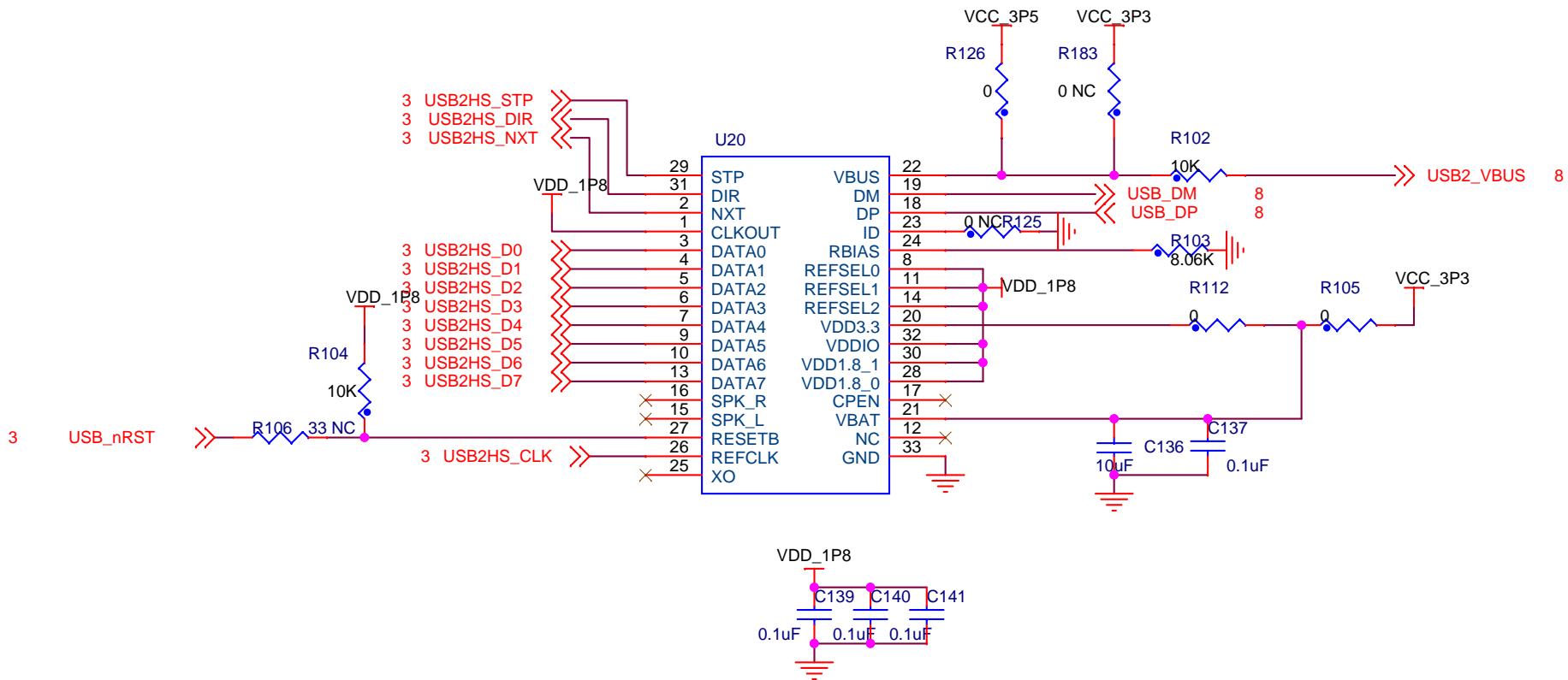
File	<Title>	Rev	<RevCode>
Size	Document Number		
C	<Doc>		
Date:	Monday, August 25, 2014	Sheet	8 of 17



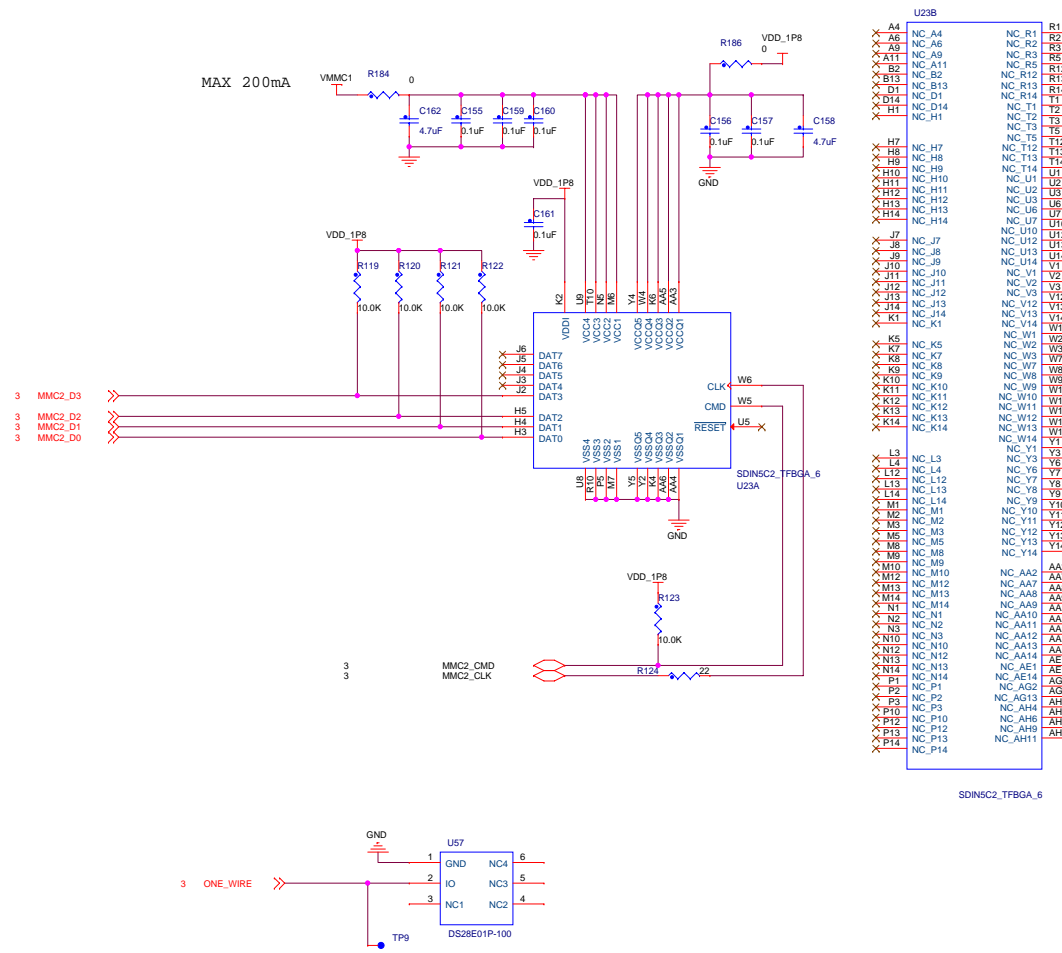


File		<Title>
Size	Document Number	Rev
C	<Doc>	<Rev>
Date:	Monday, August 25, 2014	Sheet 10 of 17





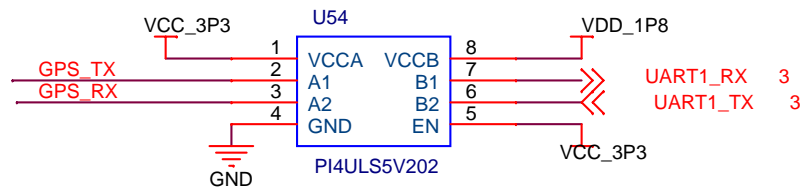
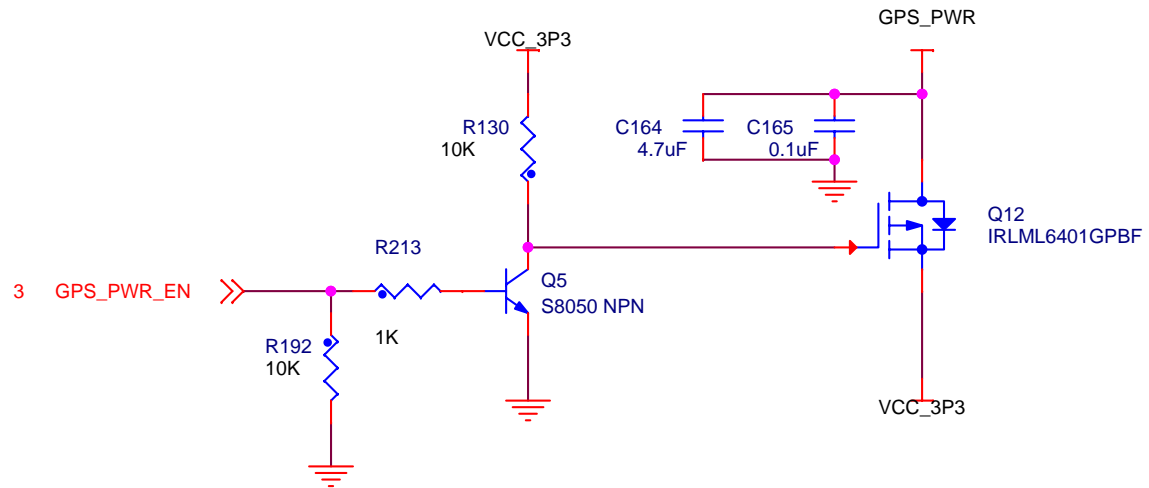
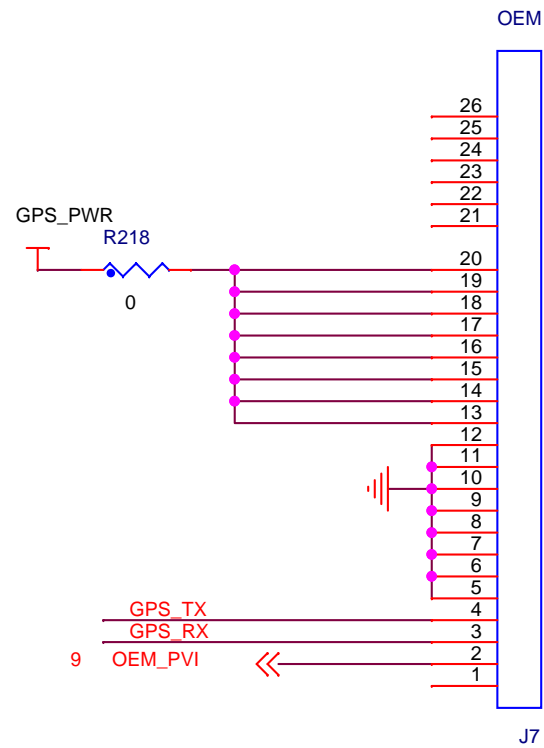
Title		
<Title>		
Size	Document Number	Rev
A	<Doc>	<RevCode>
Date:	Monday, August 25, 2014	Sheet 12 of 17



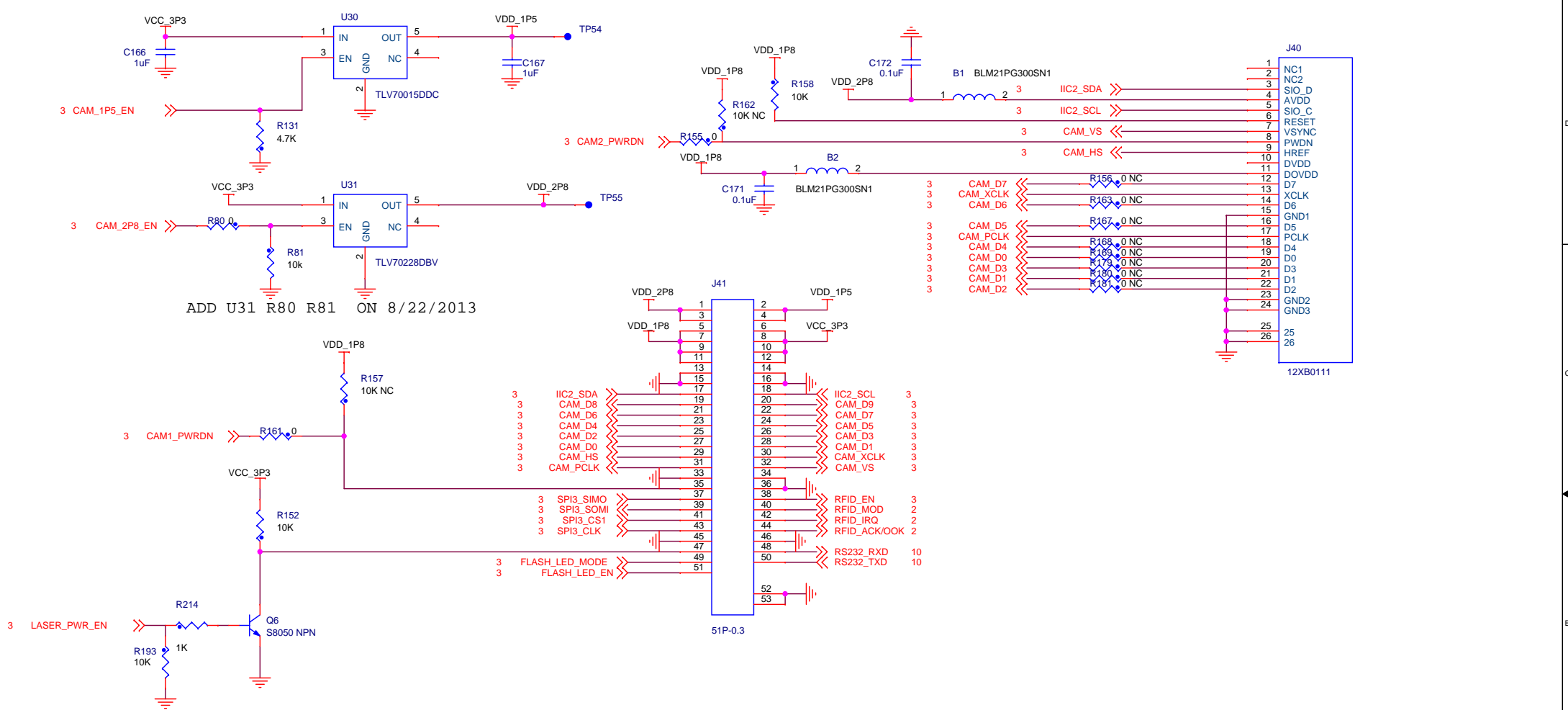
U23B

A4	NC_A4	NC_R1	R2
A6	NC_A6	NC_R2	R3
A9	NC_A9	NC_R3	R5
A11	NC_A11	NC_R5	R7
B2	NC_B2	NC_R12	R13
B3	NC_B3	NC_R13	R14
D1	NC_D1	NC_R14	T1
D14	NC_D14	NC_T1	T2
H1	NC_H1	NC_T2	T3
		NC_T3	T5
H7	NC_H7	NC_T5	T12
H8	NC_H8	NC_T12	T13
H9	NC_H9	NC_T13	T14
H10	NC_H10	NC_T14	U1
H11	NC_H11	NC_U1	U2
H12	NC_H12	NC_U2	U3
H13	NC_H13	NC_U3	U6
H14	NC_H14	NC_U6	U7
		NC_U7	U10
J7	NC_J7	NC_U10	U12
J8	NC_J8	NC_U12	U13
J9	NC_J9	NC_U13	U14
J10	NC_J10	NC_U14	V1
J11	NC_J11	NC_V1	V2
J12	NC_J12	NC_V2	V3
J13	NC_J13	NC_V3	V12
J14	NC_J14	NC_V12	V13
K1	NC_K1	NC_V13	V14
		NC_V14	W1
K5	NC_K5	NC_W1	W2
K7	NC_K7	NC_W2	W3
K8	NC_K8	NC_W3	W7
K9	NC_K9	NC_W7	W8
K10	NC_K10	NC_W8	W9
K11	NC_K11	NC_W9	W10
K12	NC_K12	NC_W10	W11
K13	NC_K13	NC_W11	W12
K14	NC_K14	NC_W12	W13
		NC_W13	W14
		NC_W14	Y1
L3	NC_L3	NC_Y1	Y3
L4	NC_L4	NC_Y3	Y6
L12	NC_L12	NC_Y6	Y7
L13	NC_L13	NC_Y7	Y8
L14	NC_L14	NC_Y8	Y9
M1	NC_M1	NC_Y9	Y10
M2	NC_M2	NC_Y10	Y11
M3	NC_M3	NC_Y11	Y12
M5	NC_M5	NC_Y12	Y13
M8	NC_M8	NC_Y13	Y14
M9	NC_M9	NC_Y14	AA2
M10	NC_M10	NC_AA2	AA3
M12	NC_M12	NC_AA3	AA7
M13	NC_M13	NC_AA7	AA8
M14	NC_M14	NC_AA8	AA9
N1	NC_N1	NC_AA9	AA10
N2	NC_N2	NC_AA10	AA11
N3	NC_N3	NC_AA11	AA12
N10	NC_N10	NC_AA12	AA13
N12	NC_N12	NC_AA13	AA14
N13	NC_N13	NC_AA14	AE1
N14	NC_N14	NC_AE1	AE14
P1	NC_P1	NC_AE14	AG2
P2	NC_P2	NC_AE14	AG13
P3	NC_P3	NC_AE14	AH1
P10	NC_P10	NC_AE14	AH6
P12	NC_P12	NC_AE14	AH9
P13	NC_P13	NC_AE14	AH11
P14	NC_P14	NC_AE14	AH11

SDIN5C2_TFBGA_6



Title			
<Title>			
Size	Document Number	<RevCode>	Rev
A	<Doc>		
Date:	Monday, August 25, 2014	Sheet	15 of 17



ADD U31 R80 R81 ON 8/22/2013

ADD R214 ON 8/22/2013

Title		<Title>
Size	Document Number	Rev
B	<Doc>	<RevCode>
Date:	Monday, August 25, 2014	Sheet 16 of 17