

Antenna specification

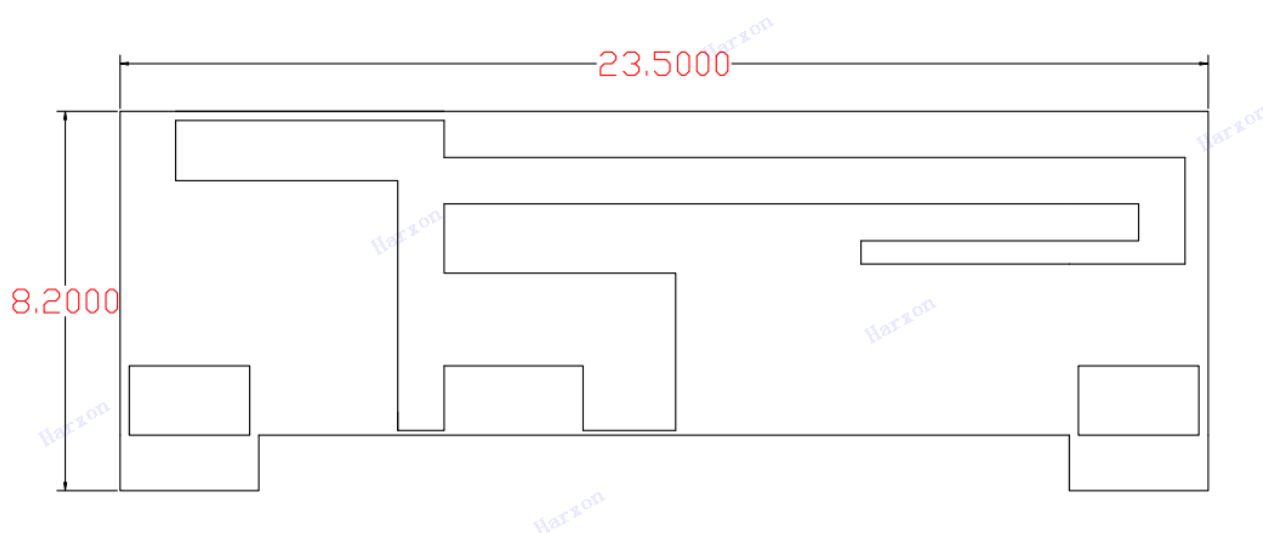
Antenna model: MARB AT V1.0

APPLications

※WIFI/Bluetooth Home RF

※ISM band 2.4GHz/5.5GHz applications

1. Dimensions



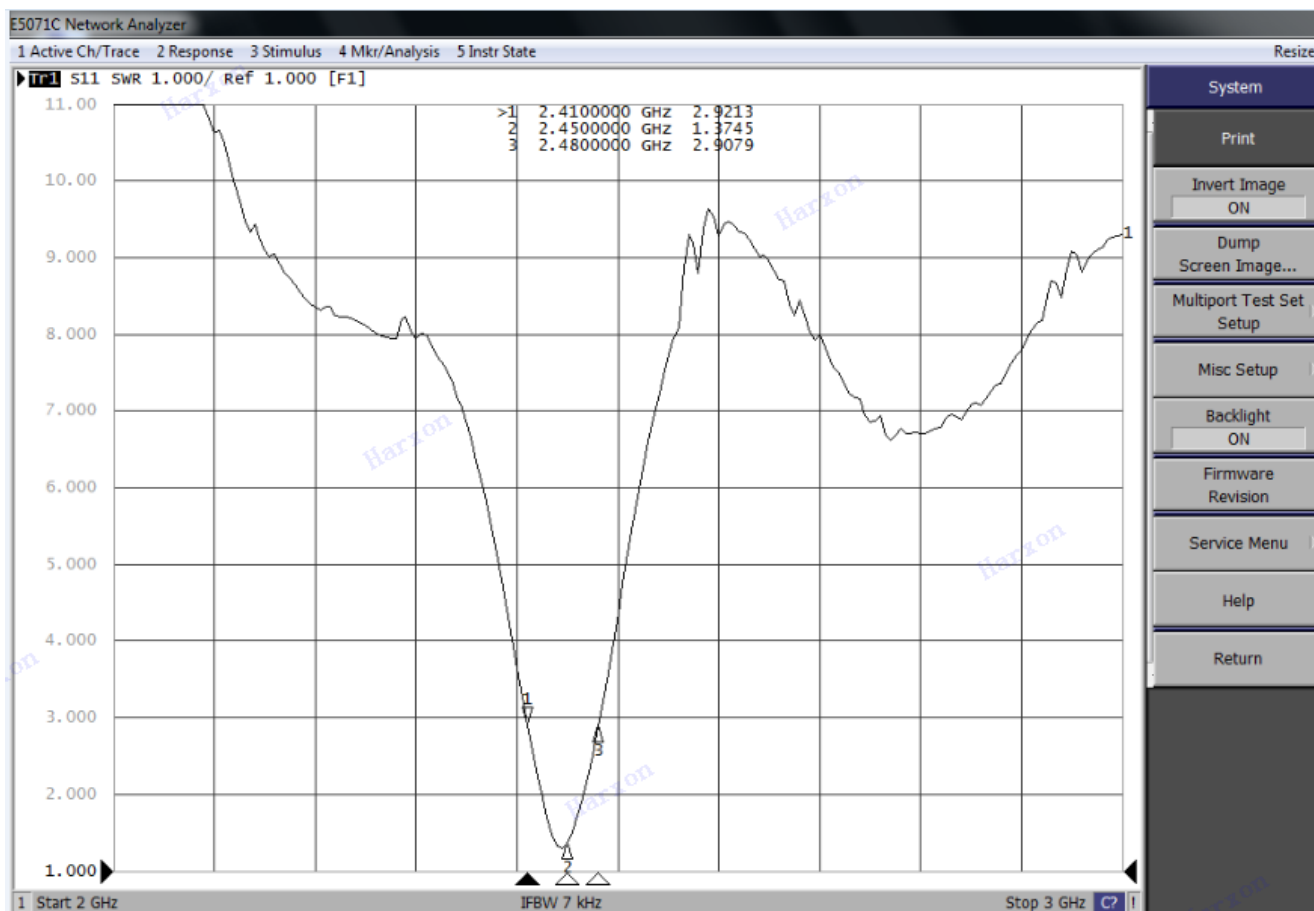
2. Specifications

number	Item	Specifications
1	Working Central Frequency	2441 MHz/5560MHz
2	Band Width	(2402-2480)MHz (5180-5825)MHz
3	Gain	0dBi
4	VSWR	Resonance point ≤ 2.0
5	Antenna type	PCB antenna
6	Azimuth Beam width	Omni - directional
7	Impedance	50ohm
8	Modulation mode	GFSK

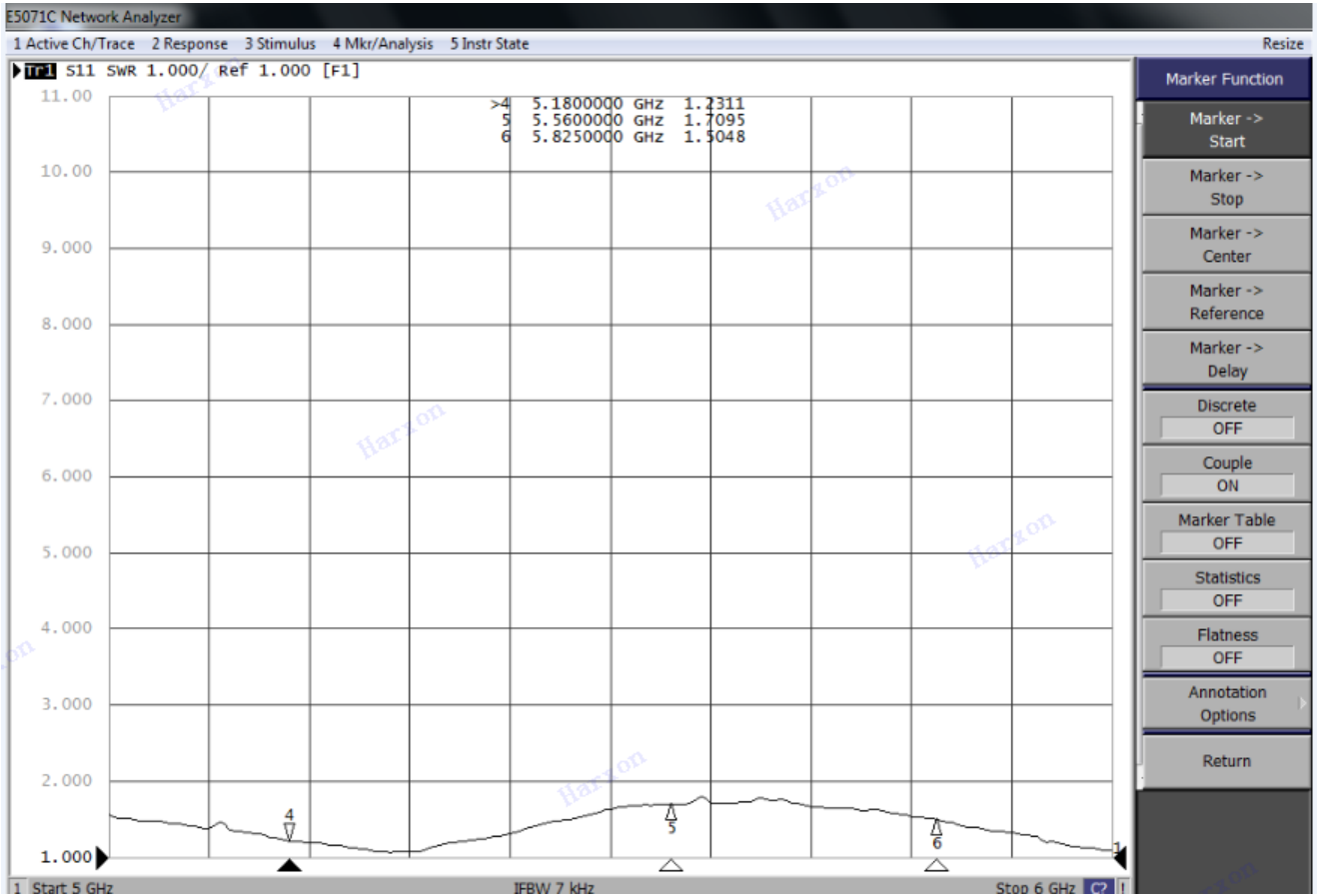
3. simulation parameter

① VSWR

Mkr1: 2410MHz 2.92 Mkr2: 2450MHz 1.37 Mkr3: 2480 MHz 2.90

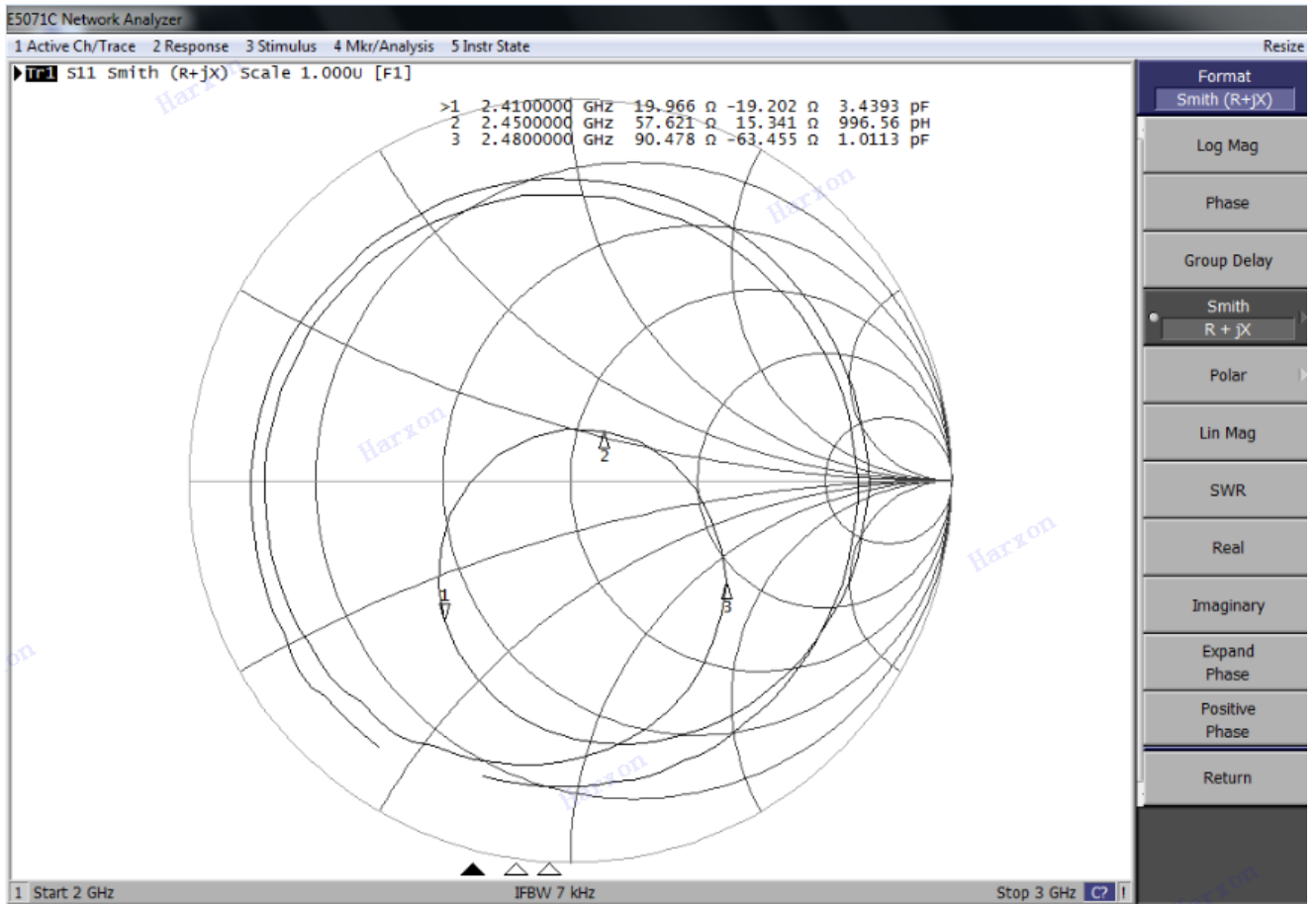


Mkr1: 5180MHz 1.23 Mkr2: 5560MHz 1.71 Mkr3: 5825 MHz 1.51

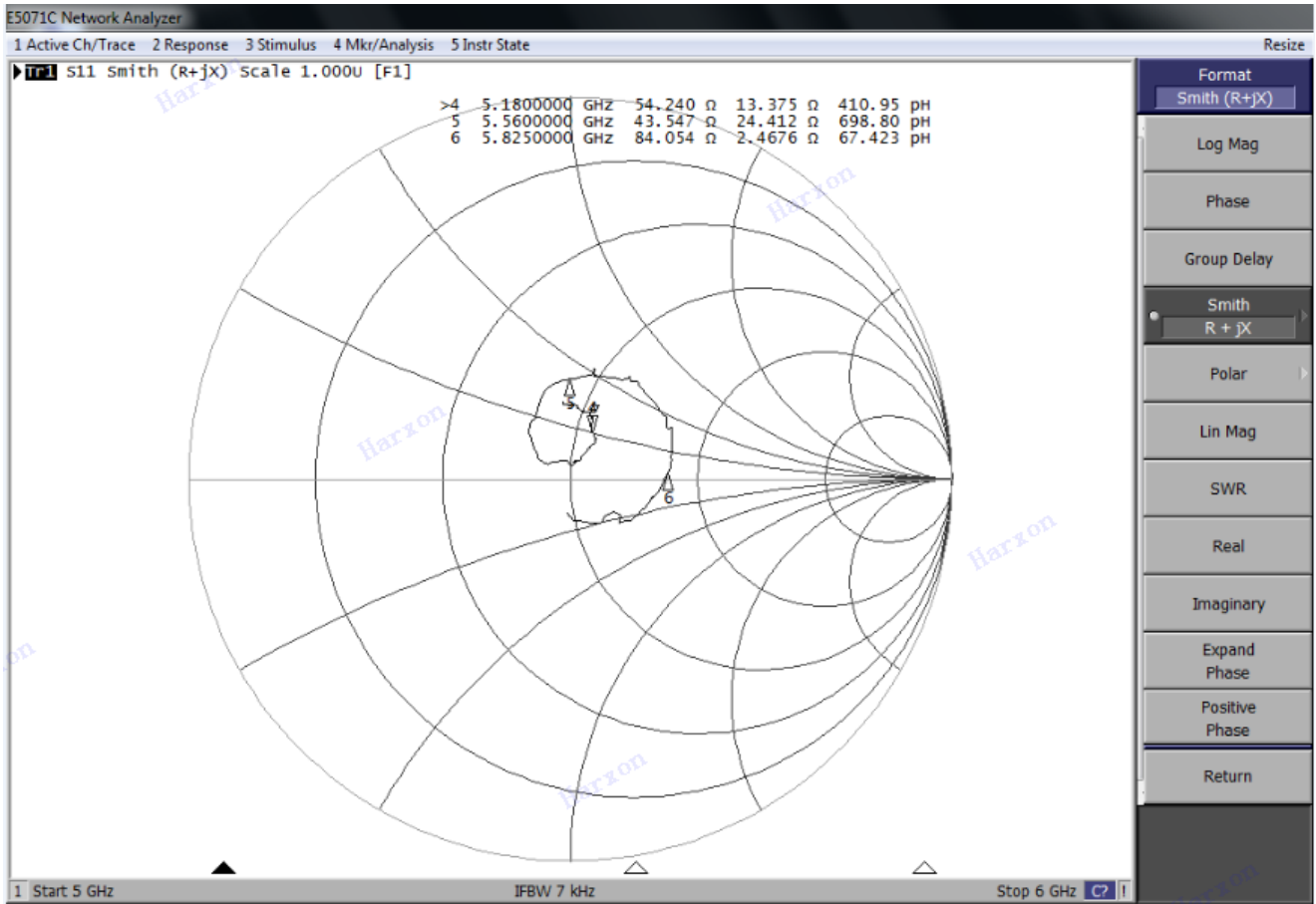


②Smith Char

Mkr1: 2410MHz 19.2 Mkr2: 2450MHz 57.6 Mkr3: 2480MHz 90.4

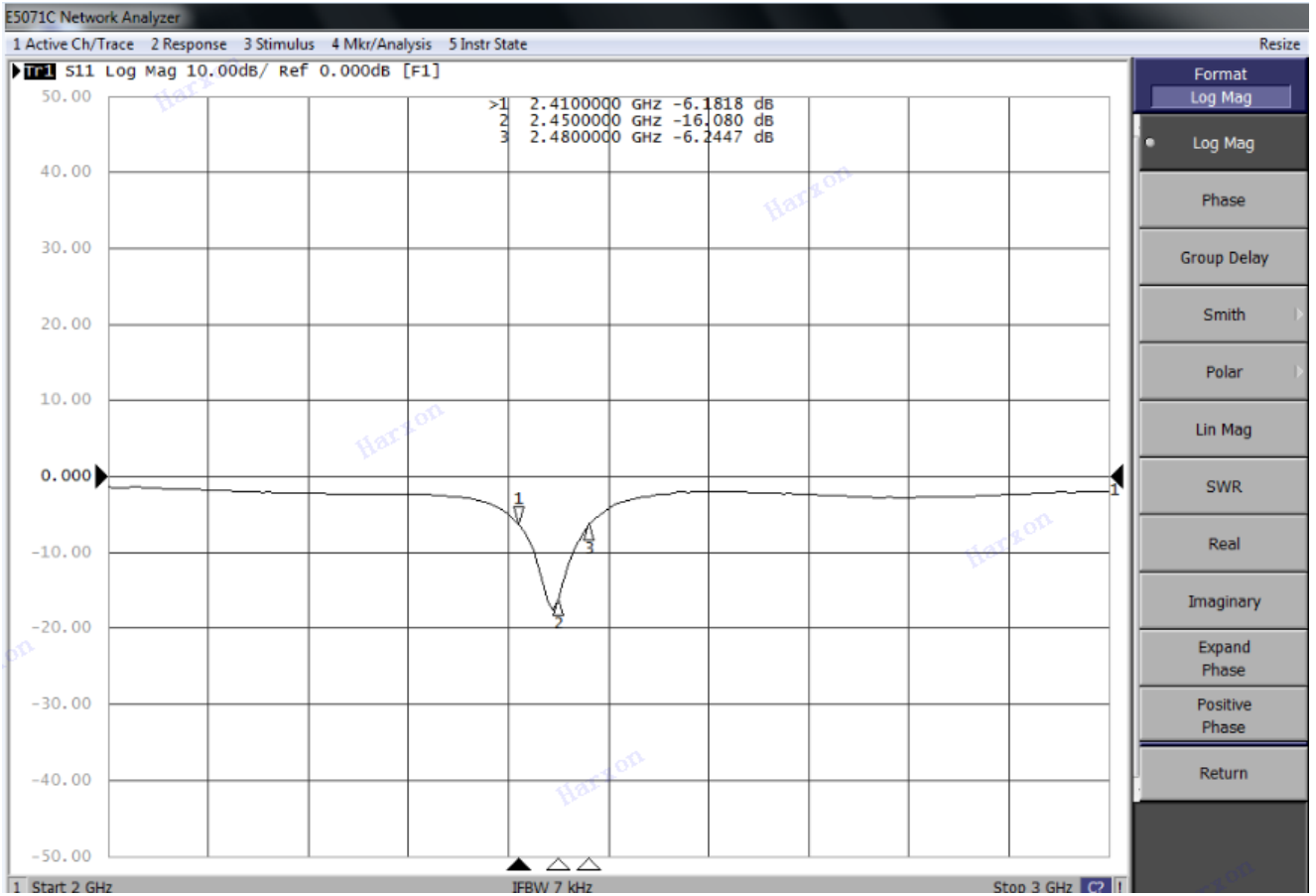


Mkr1: 5180MHz 54.2 Mkr2: 5560MHz 43.5 Mkr3: 5825 MHz 84.0

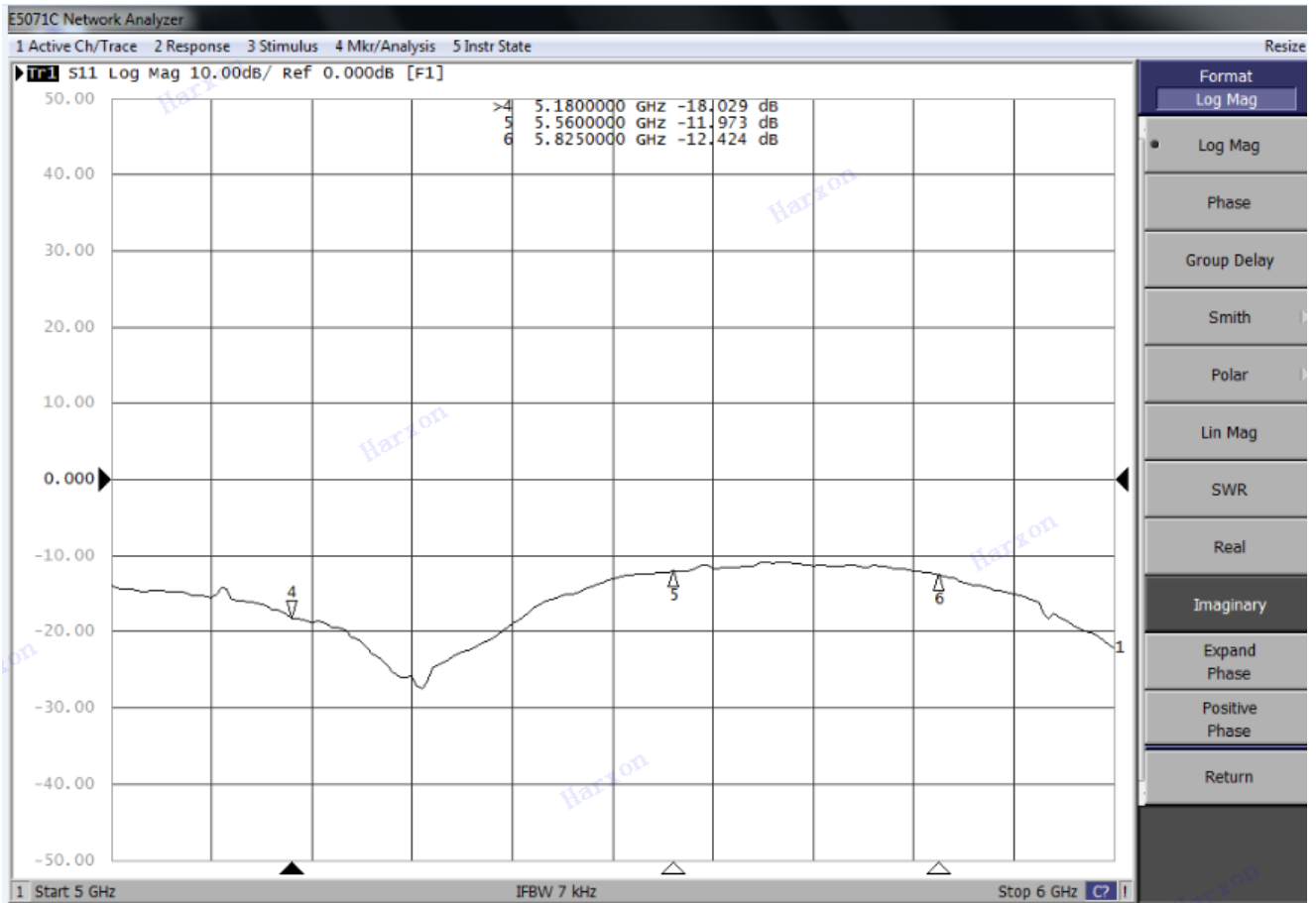


③Return Loss

Mkr1: 2410MHz -6.2 Mkr2: 2450MHz -16.1 Mkr3: 2480 MHz -6.2

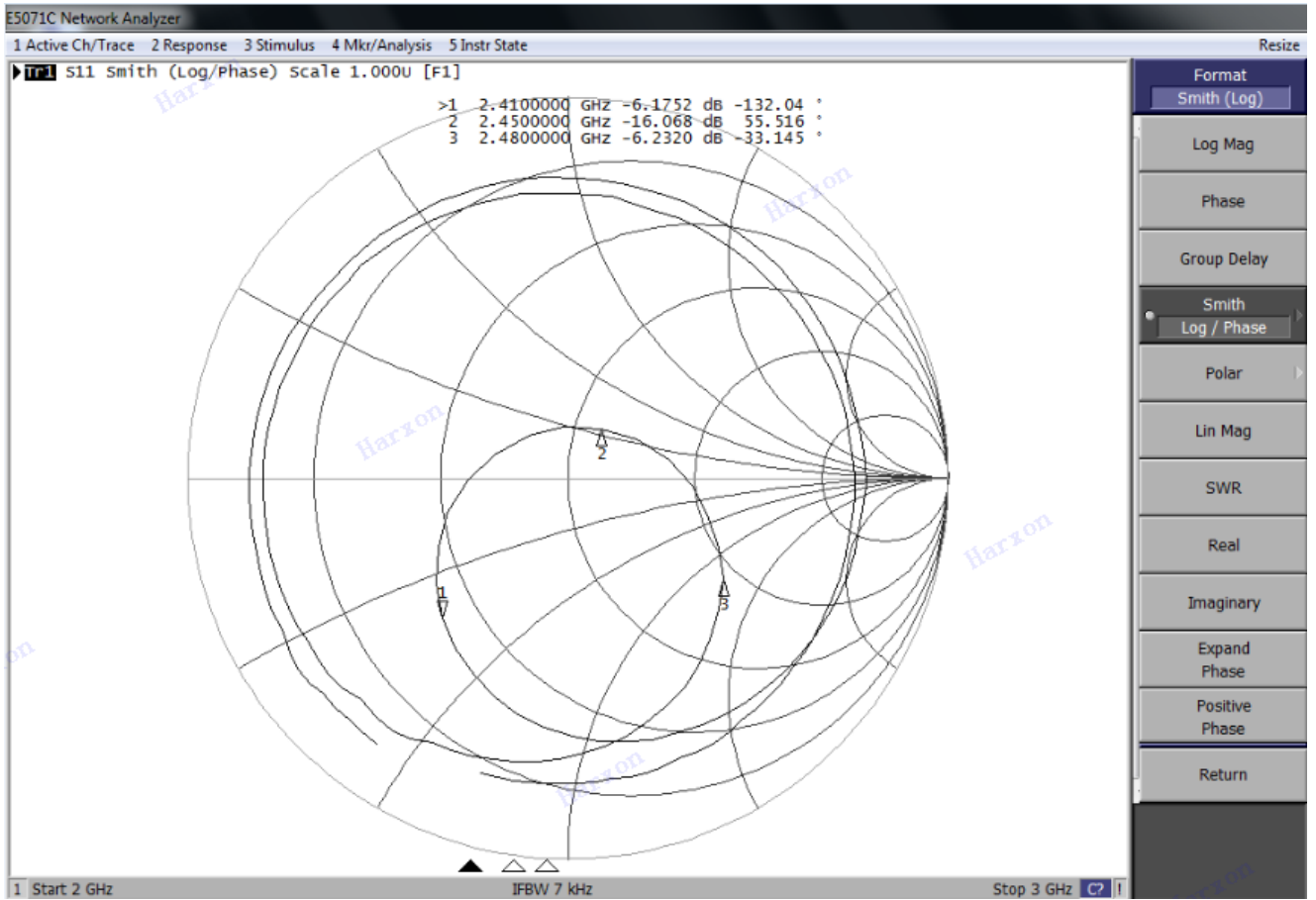


Mkr1: 5180MHz -18.0 Mkr2: 5560MHz -11.9 Mkr3: 5825 MHz -12.4

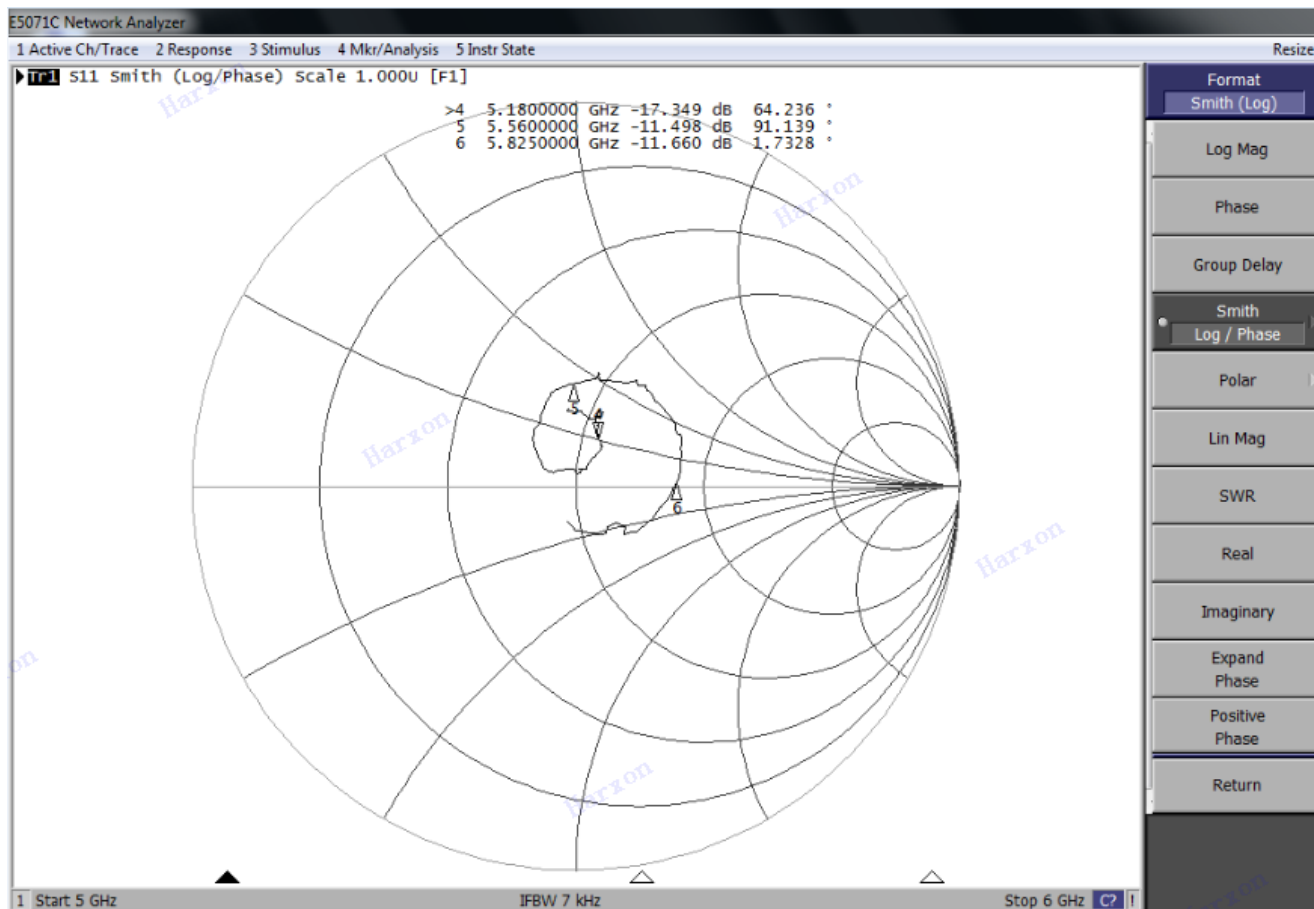


④Smith Char

Mkr1: 2410MHz -6.2 Mkr2: 2450MHz -16.1 Mkr3: 2480 MHz -6.2

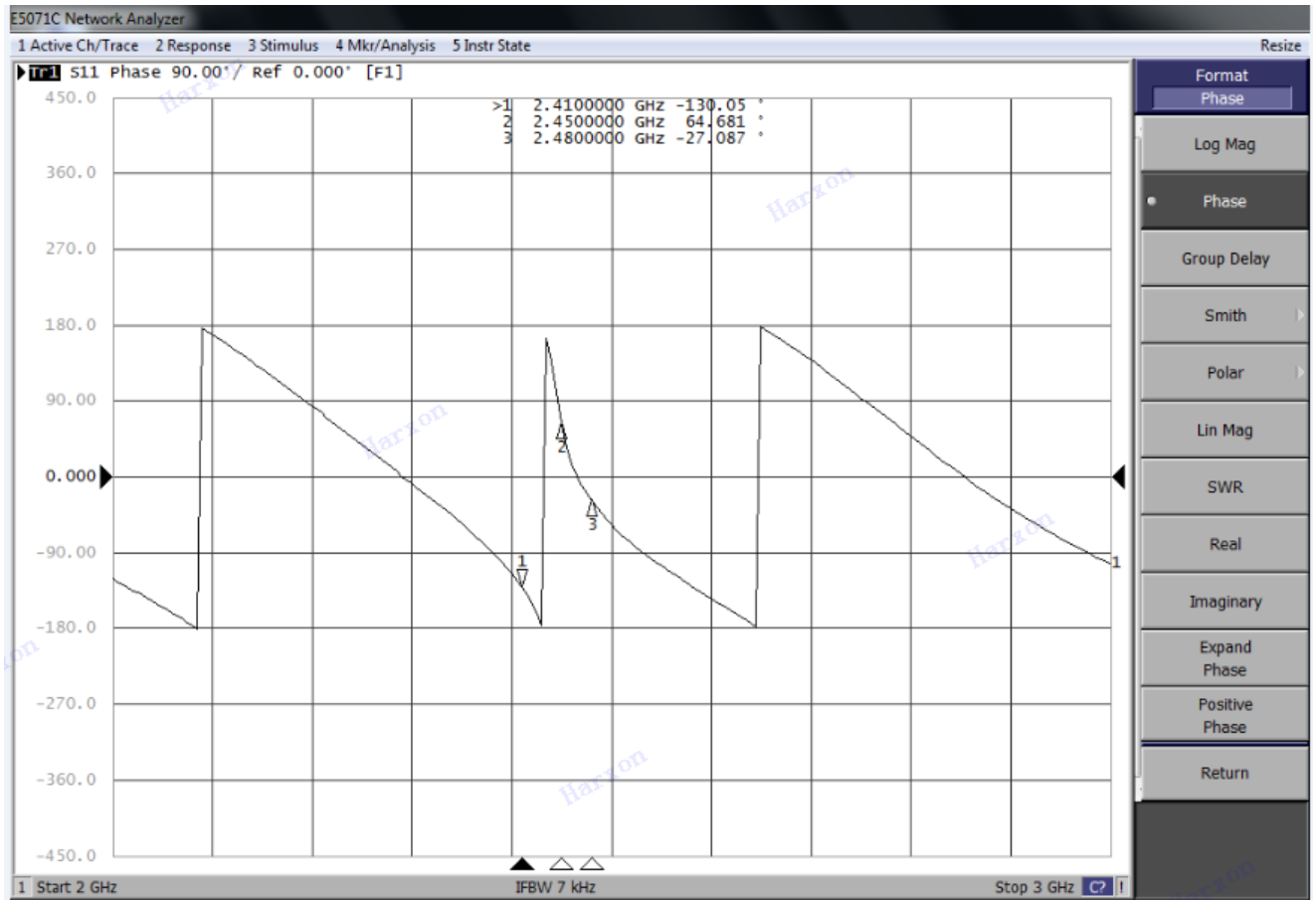


Mkr1: 5180MHz -17.3 Mkr2: 5560MHz -11.4 Mkr3: 5825 MHz -11.6

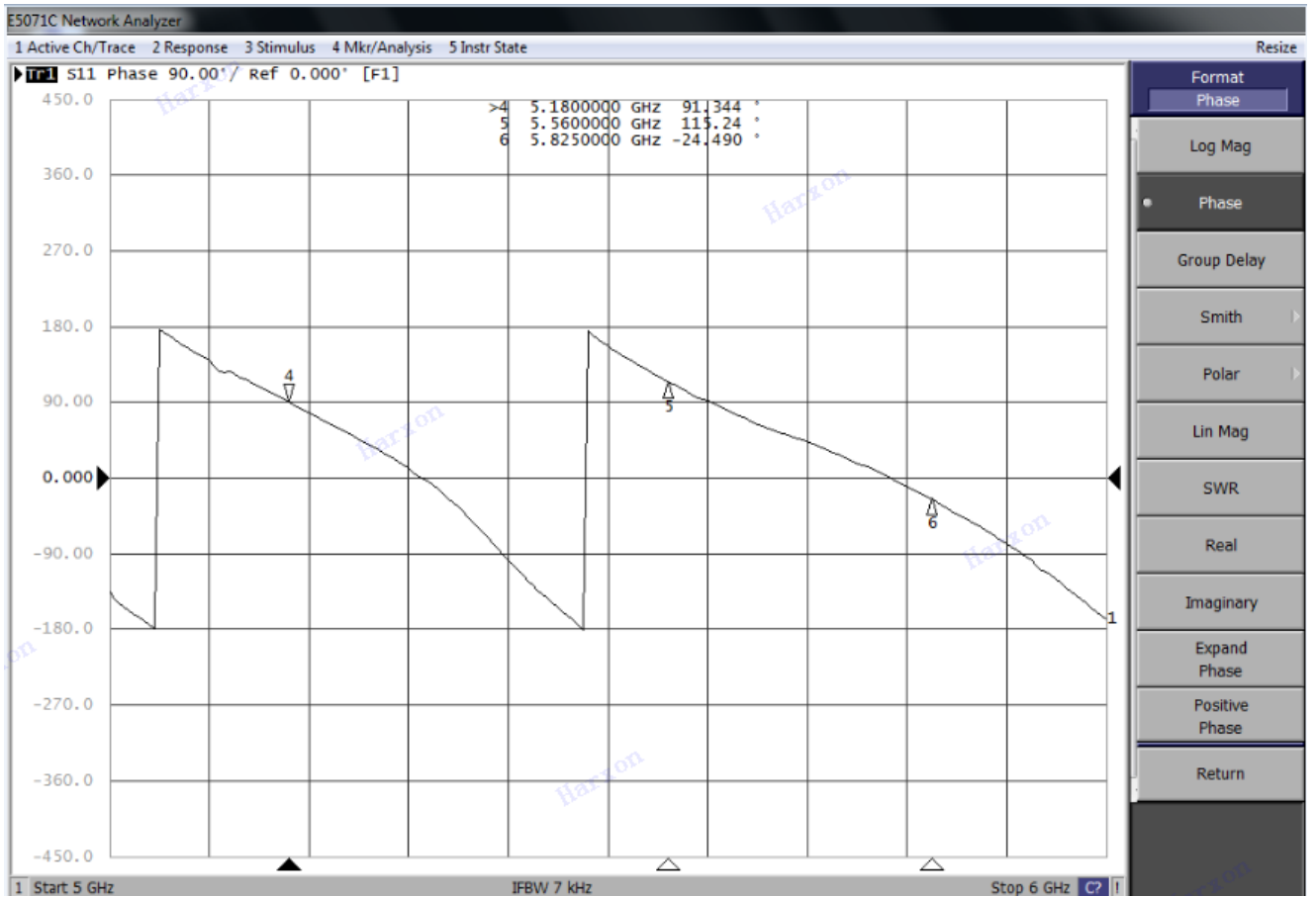


⑤Phase

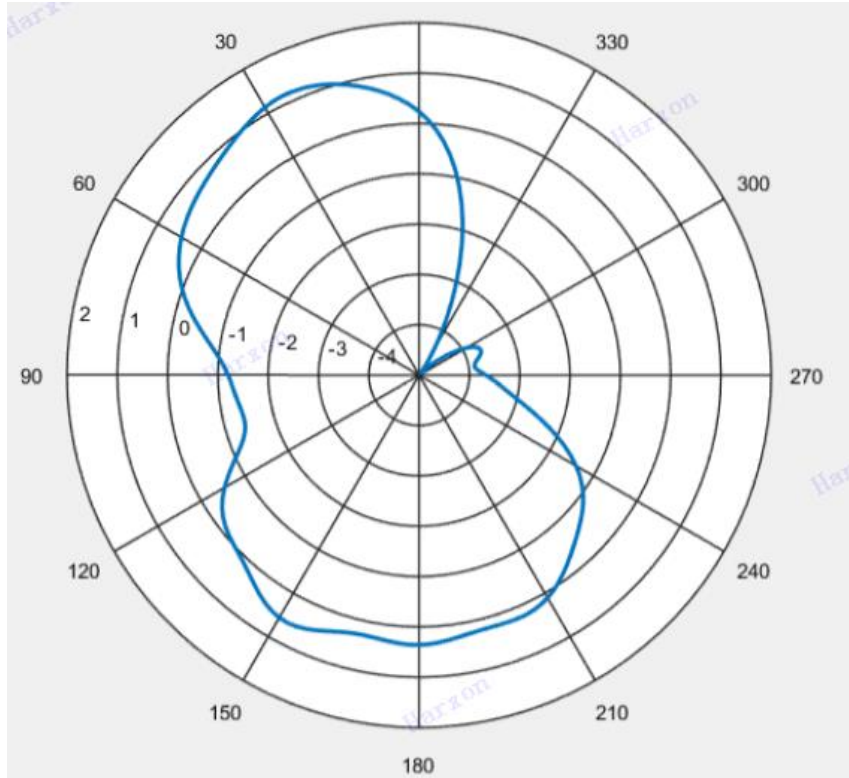
7Mkr1: 2410MHz -130 Mkr2: 2450MHz 64 Mkr3: 2480MHz -27



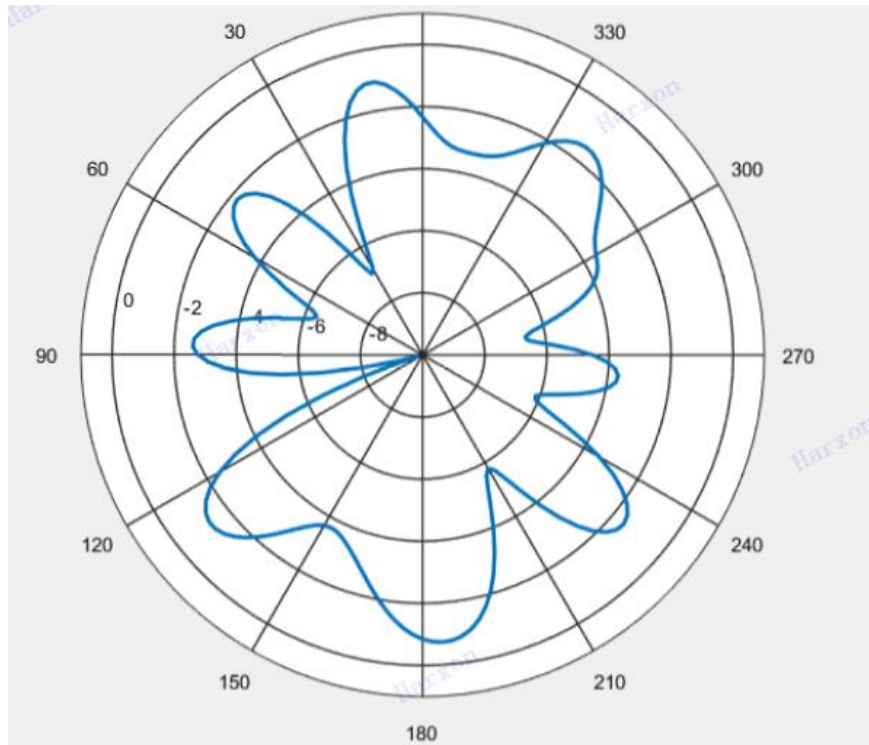
Mkr1: 5180MHz 91 Mkr2: 5560MHz 115 Mkr3: 5825 MHz -24



4. Radiation Patterns

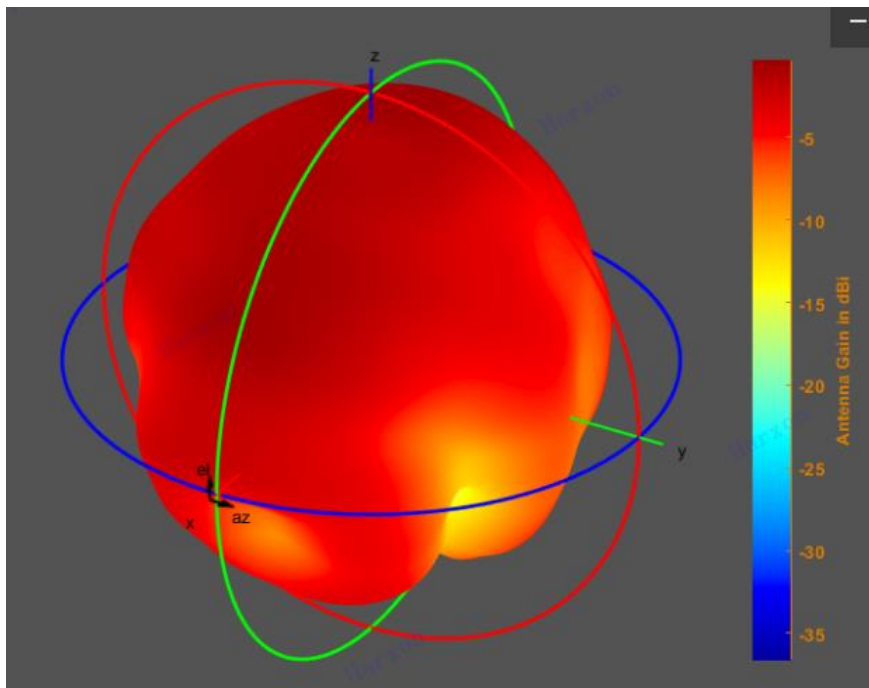


2450MHz

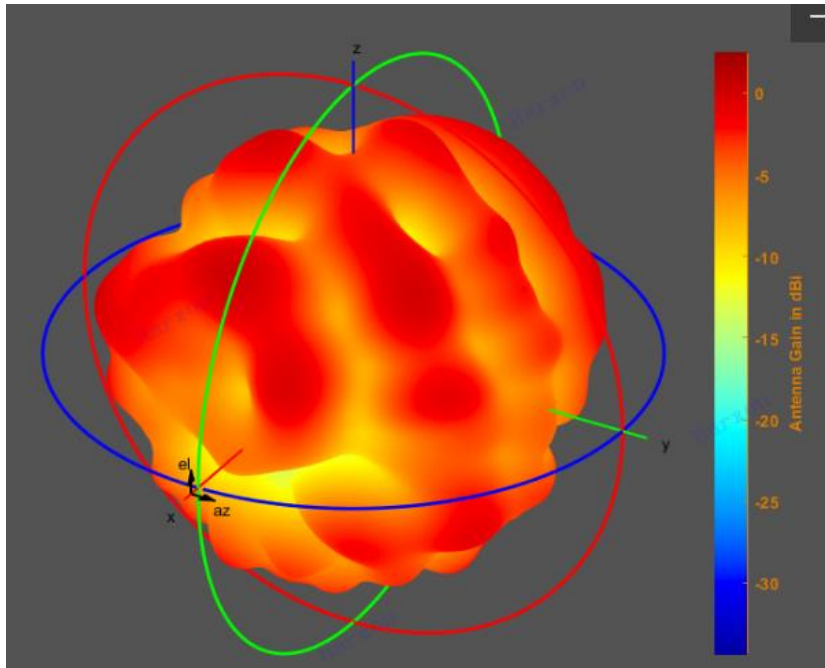


5600MHz

• 3DRadiation pattern



2450MHz



5600MHz