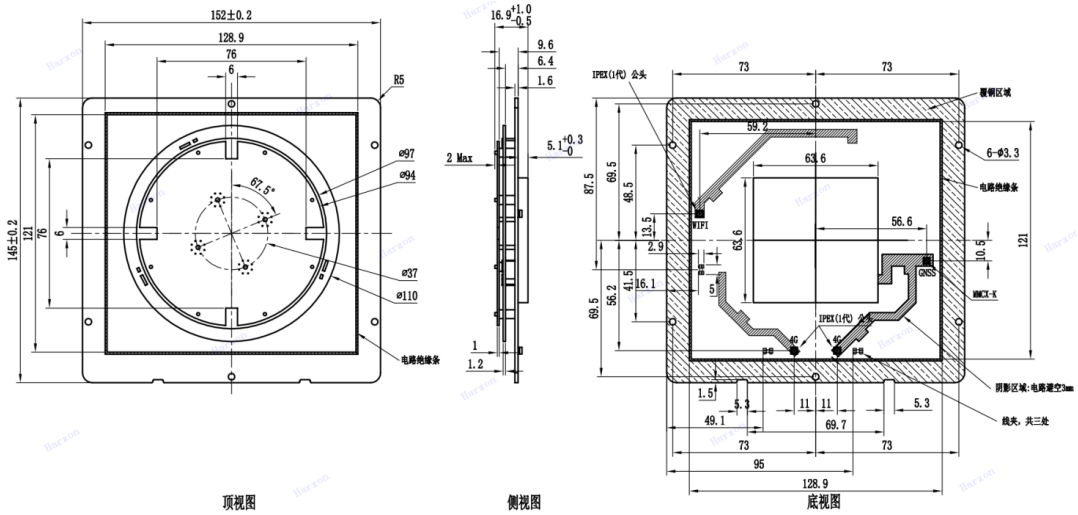


Manufacturer: Shanghai Huace Navigation Technology Ltd.  
 Add: 577 Songying Road, Qingpu District, 201706 Shanghai, China

**Model:HX-CSX159A**

**1. SIZE OF ANTENNA**



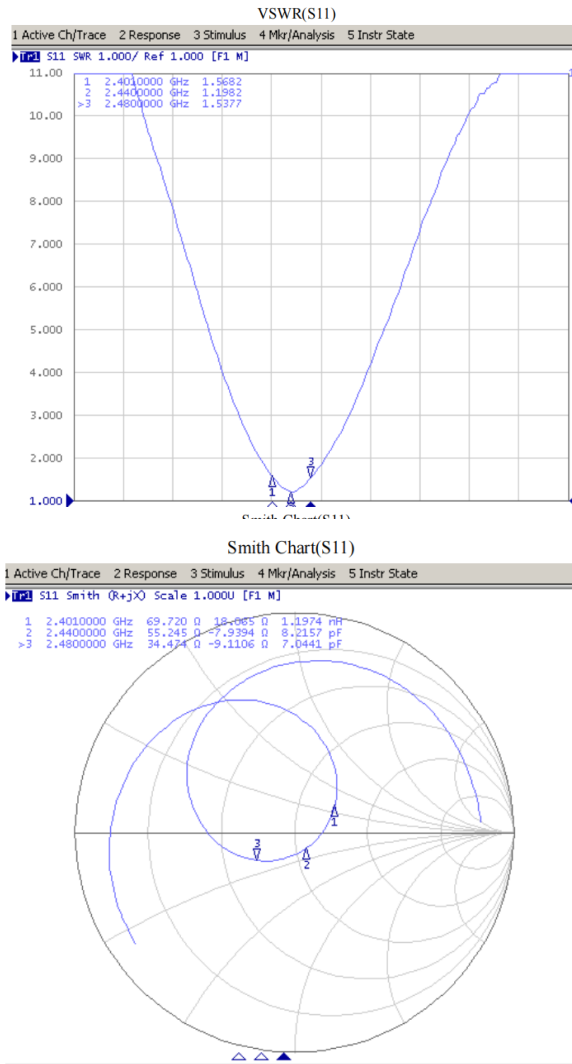
**2. WIFI ANTENNA SAMPLE SPECIFICATION**

| ITEM                        | SPEC             |
|-----------------------------|------------------|
| Band Width                  | 2400MHz-2500MHz  |
| Working Central Frequency   | 2441 MHz         |
| Impedance 50 Ω              | 50               |
| Gain at Zenith              | 0.5 dBi@2450MHz  |
| Operation Temperature Range | -40~85°C         |
| Polarization                | R.H.C.P          |
| Antenna type                | Internal Antenna |

**2.1 WIFI ANTENNA GAIN:**

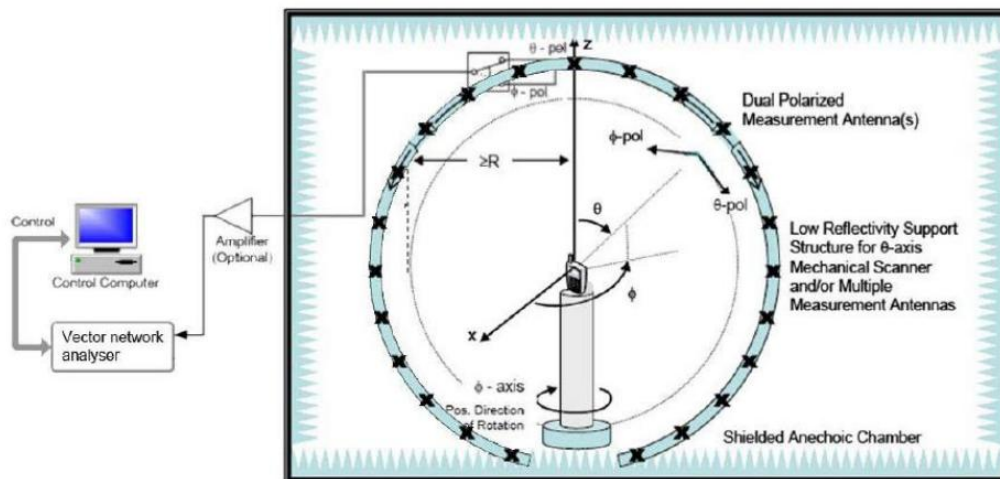
| 2400MHz | 2450MHz | 2500MHz |
|---------|---------|---------|
| 0.3dBi  | 0.5dBi  | 0.3dBi  |

**2.2 Return Loss & VSWR**

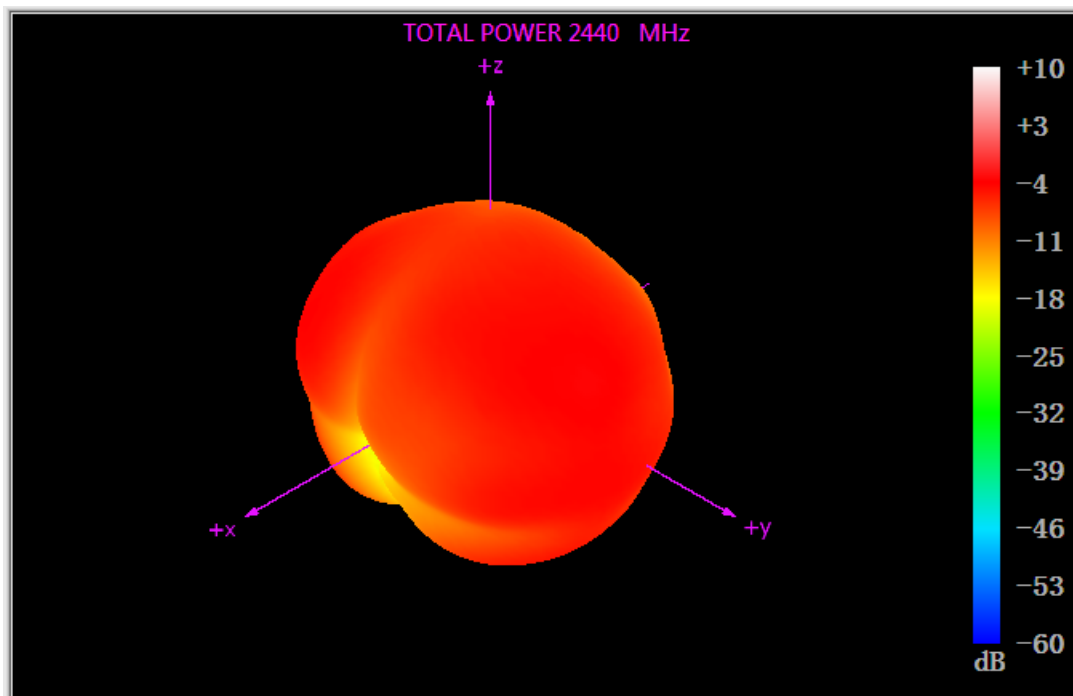


## 2.3 Radiation Pattern(40\*40mm<sup>2</sup> ground plane)

### 2.3.1 Efficiency and Gain



### 2.3.2 3D



### 2.3.3 Antenna polarization direction

