

User Manual

PACKAGE CONTENTS

- RCL-TX58 (Wireless Transmitter)+ RCL-RX58 (Wireless Receiver)

1. Transmitter × 1
2. Receiver × 1
3. 3dBi Antenna × 2
4. USB Charging Cable × 1 (1 Meter)
5. AV Cable×1 (2.5mm Phone Jack to RCA, 1.5 Meter)
6. 3-Pin Futaba cable × 1 (For TX, 0.2 Meter)
7. 2.5mm Phone Jack to 4pin 2.0mm I2C Cable ×1 (0.2 Meter)
8. User Manual×1

- AW-B02R Monitor

1. Monitor with 3.5" LCD ×1
2. USB Charging Cable × 1 (1 Meter)
3. 2.5mm Phone jack to Phone jack cable x 1 (0.2 Meter, 90° angle Phone jack to straight Phone jack)
5. User Manual×1

1. Transmitter



2. Receiver



3. 3dBi Antenna with RP-SMA connector



4. 1m USB Cable



5. 1.5m AV Cable



6. 30cm 3pin TX Futaba cable



7. 20cm Phone Jack to 4pin I2C Cable



8 20cm Φ 2.5mm 3-pin Phone jack (90° angle)
to Φ 2.5mm 4-pin Phone jack (straight)

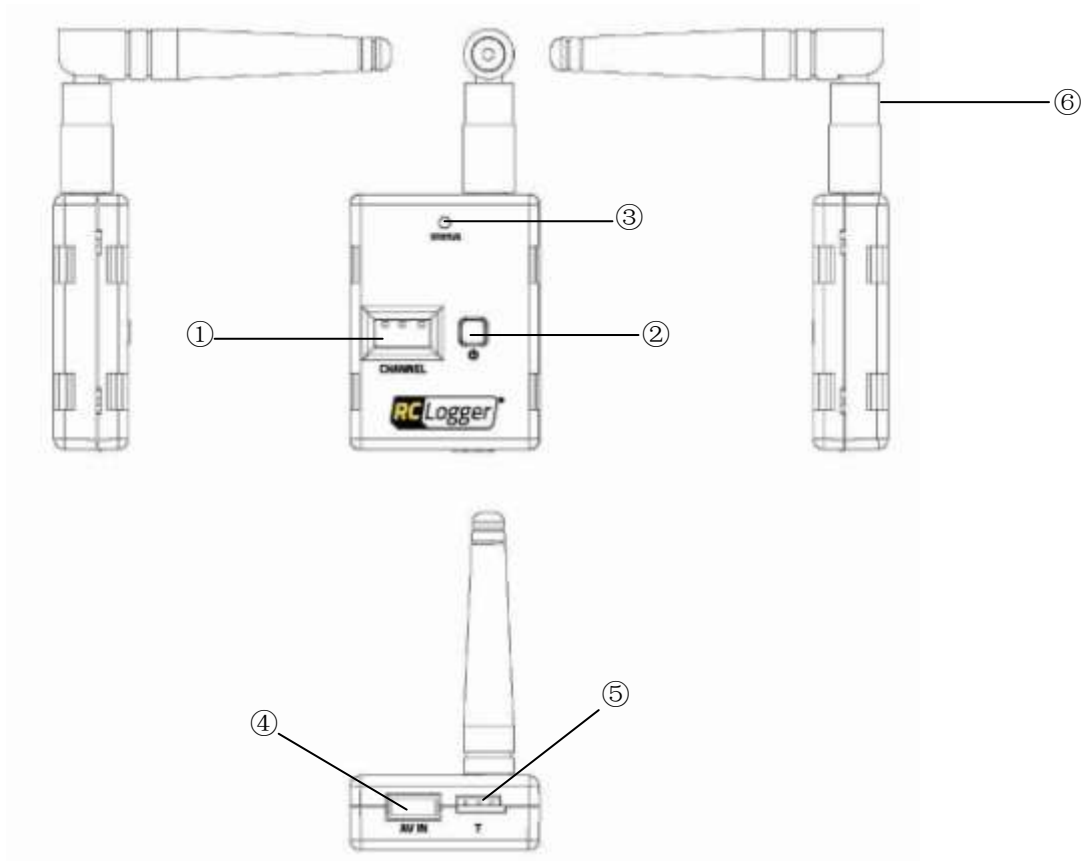


9 AW-B02R Monitor



PANEL INTRODUCTION

- AW-B01S (Transmitter)



① Channel Selector:

Up to 8 different Channels be selected by changing the 3-dial CH combination key

② Power key :

- When unit is off, press and hold the power key for one second will power-on the unit
- When unit is on, press and hold the power key for one second will power-off the unit.

③ Status indicators, indicating 3 status: OFF 、 RED 、 BLUE

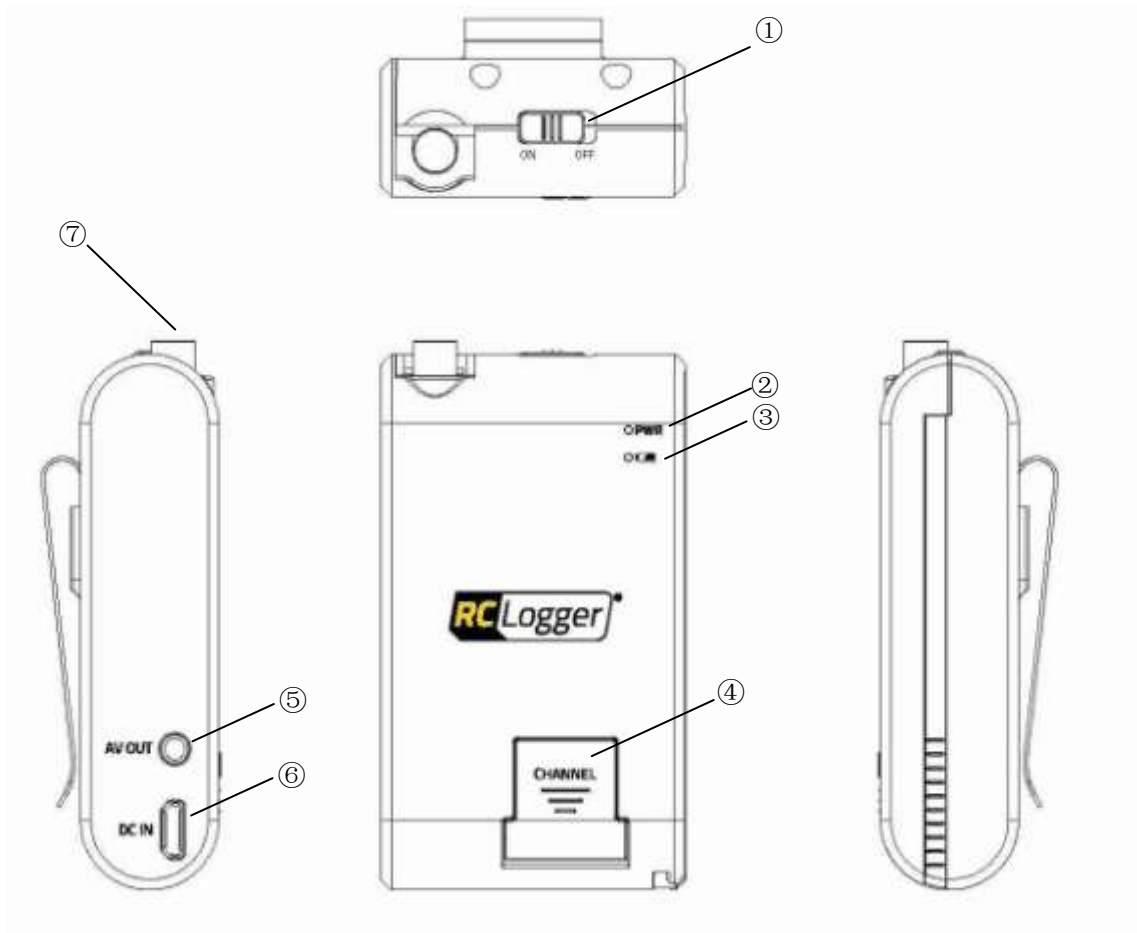
- OFF : The unit is off, (Even when the power cable is connected to the unit)
- RED : The unit is in Standby Mode, (PWM Value <1600us)
- BLUE : The unit is on. (PWM Value >1600us, or When PWM is at Low or High Level)

④ AV Input port (4pin 2.0mm I2C port , Pin Assignment from left to right : AUDIO 、 AUDIO 、 VIDEO 、 GND)

⑤ DC Input port : DC power and PWM input port , Pin Assignment from left to right : GND 、 +5V 、 PWM

⑥ Antenna with SMA connector

● AW-B01R (Receiver)



① Power key : Switch the power key to the left to power on the unit, switch it to right to power off the unit

② Power On/Off indicator (Blue)

- When unit is power off , the blue LED is turn off
- When unit is power on, the blue LED is turns on.

③ Charging/ Low-battery Indicator; there are 3 different status : OFF/RED/BLUE

- Off: This LED will turn-off when battery is fully charged or battery is not properly installed
- Red : This LED will turn-on in RED as low battery indicator when battery level is low and need to be recharged.
- Blue : During Battery charging process, this LED will turn on in Blue.

④ Channel Selector:

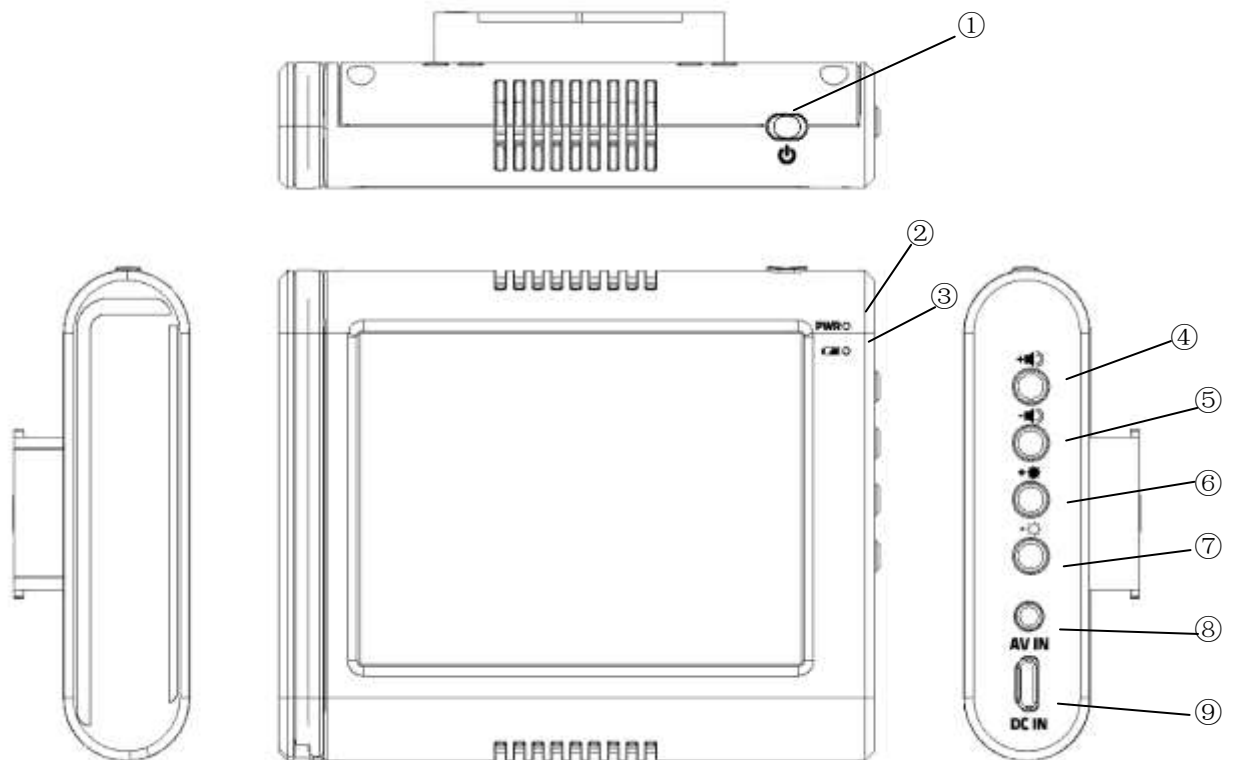
Up to 8 different Channels be selected by changing the 3-dial CH combination key

⑤ AV output port : Φ 2.5mm Phone Jack for Audio/Video output

⑥ USB DC Power Input port : Mini USB port for DC 5V input only (No data Communication Function)

⑦ SMA Connector for Antenna installation

● AW-B02R (Monitor)



① Power / Menu key :

- When unit is off, press and hold the power key for 2 seconds will power-on the unit
- When unit is on, press and hold the power key for 2 seconds will power-off the unit.
- When unit is on, a short press of this key will have the OSD menu display in the screen for setting adjustment.

② Power On/off indicator (blue)

- When unit is power off , the blue LED is turn off
- When unit is power on, the blue LED is turns on.

③ Charging/ Low-battery Indicator; there are 3 different status : OFF/RED/BLUE

- Off: This LED will turn-off when battery is fully charged or battery is not properly installed
- Red : This LED will turn-on in RED as low battery indicator when battery level is low and need to be recharged.
- Blue : During Battery charging process, this LED will turn on in Blue.

④ Volume+ : Volume up key (Also work as "Navigate Up" key When OSD Menu is displayed in the screen)

⑤ Volume- : Volume down key (Also work as "Navigate Down" key When OSD Menu is displayed in the screen)

⑥ Brightness+ : Brightness up key (Also work as "Navigate Right" key When OSD Menu is displayed in the screen)

⑦ Brightness- : Brightness down (Also work as "Navigate Left" key When OSD Menu is displayed in the screen)

⑧ AV Input port : For connecting external AV source with 2.5mm Phone Jack , support stereo audio input

⑨ USB DC Power Input port : Mini USB port for DC 5V input only (No data Communication Function)

MENU Operation

Understanding of OSD Display

1. Start-up screen : When unit turns on after press and hold the power key of the monitor for about 2 seconds, a startup screen will show up for about one second.







2. No Signal Display : when there is no input AV signal to be display on the Monitor screen, a “No Signal” OSD with blue background will be displayed in the screen



3. OSD Menu : A short Press on the Power/Menu key will display OSD Menu on the screen, (Long Press will turn off the power of the Monitor)



- press  /  key to move the cursor up or down to selected setting item, selected item will be marked in “RED” font
- Press  /  key to change setting on selected item
- If there is no operation for 5 seconds, the OSD menu will be automatically exit

Available Setting:


BRIGHTNESS: 0~100, Default: 50

CONTRAST: 0~100, Default: 50

COLOR: 0~100, Default: 50

4. 快捷 VOL adjustment



On Preview state, use  or  to adjust volume

5. 快捷 BRIGHTNESS adjustment



On Preview state, use  or  to adjust brightness

FCC NOTE:

This device complies with Part 15 of the FCC Rules.

Operation is subject to the following two conditions: (1) this device may not cause harmful interference, and (2) this device must accept any interference received, including interference that may cause undesired operation.

THE MANUFACTURER IS NOT RESPONSIBLE FOR ANY RADIO OR TV INTERFERENCE CAUSED BY UNAUTHORIZED MODIFICATIONS OR CHANGE TO THIS EQUIPMENT. SUCH MODIFICATIONS OR CHANGE COULD VOID THE USER'S AUTHORITY TO OPERATE THE EQUIPMENT.

To maintain compliance with FCC's RF exposure guidelines, this equipment should be installed and operated with a minimum distance of 20cm between the radiator and your body.