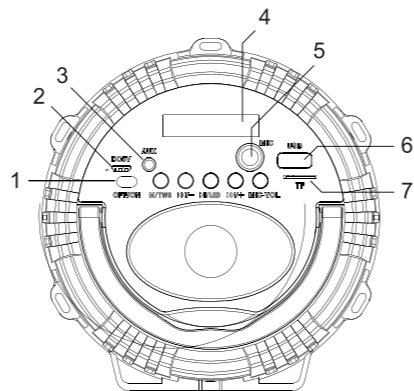


Portable Bluetooth® Speaker
with LED Lighting and Carrying Strap

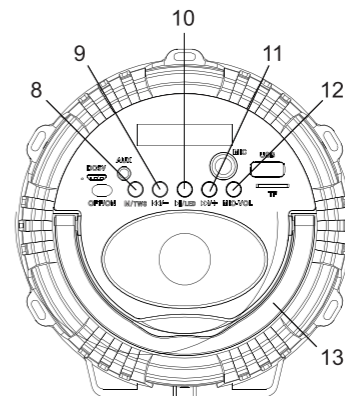


Instruction Manual
Please read carefully before use and keep for future reference.

At a Glance



| | | |
|---|-------------------|--|
| 1 | OFF/ON | Set the switch to the "ON" position to turn the speaker on. Set the switch to the "OFF" position to turn the speaker off. |
| 2 | DC 5V charge port | Connect to a USB power source with the included cable. |
| 3 | AUX connector | AUX mode. 3.5mm stereo connection for devices with 3.5mm line-out. |
| 4 | Display | Indicates which mode the speaker is in. |
| 5 | MIC | MIC mode. 6.35 mm input connection for a microphone. The microphone will work in all modes (except FM mode). |
| 6 | USB port | USB mode. Load USB memory sticks here. |
| 7 | TF reader | CARD mode. Load microSD memory cards here. |



| | | |
|----|---------|---|
| 8 | M/TWS | Press to change the active mode (Bluetooth®, FM tuner, LINE, Music (USB or TF)). For TWS function – Press and hold to pair another compatible device. |
| 9 | ⏮/– | Press to skip to the previous track during playback. Press and hold to decrease the volume. |
| 10 | ⏸/LED | Press to pause or resume playback. Press and hold to turn the LED light on or off. |
| 11 | ⏭/+ | Press to skip to the next track during playback. Press and hold to increase the volume. |
| 12 | MIC-VOL | Adjust the microphone level. There are 10 microphone levels. |
| 13 | Handle | Flip out the handle for a convenient way to carry the boombox without a strap. |

FCC Warning:

This equipment has been tested and found to comply with the limits for a Class B digital device, pursuant to part 15 of the FCC Rules. These limits are designed to provide reasonable protection against harmful interference in a residential installation. This equipment generates, uses and can radiate radio frequency energy and, if not installed and used in accordance with the instructions, may cause harmful interference to radio communications. However, there is no guarantee that interference will not occur in a particular installation. If this equipment does cause harmful interference to radio or television reception, which can be determined by turning the equipment off and on, the user is encouraged to try to correct the interference by one or more of the following measures:

- Reorient or relocate the receiving antenna.
- Increase the separation between the equipment and receiver.
- Connect the equipment into an outlet on a circuit different from that to which the receiver is connected.
- Consult the dealer or an experienced radio/TV technician for help.

Caution: Any changes or modifications to this device not explicitly approved by manufacturer could void your authority to operate this equipment.

This device complies with part 15 of the FCC Rules. Operation is subject to the following two conditions:

(1) This device may not cause harmful interference, and (2) this device must accept any interference received, including interference that may cause undesired operation.

This equipment complies with FCC radiation exposure limits set forth for an uncontrolled environment. This equipment should be installed and operated with minimum distance 0cm between the radiator and your body.