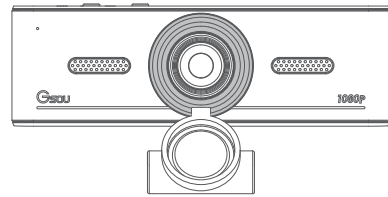


Gsou

Model: W20



— User Manual —

www.gsoutech.com

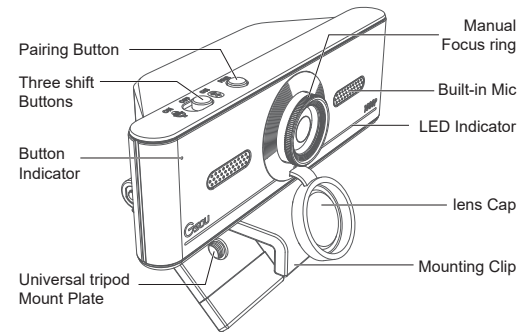
When using, please manually open the anti-peeping cover, and cover it when you are free to ensure privacy.

You can test the webcam through this link.(www.webcamtest.cc)

Product Introduction

Standard Accessories:

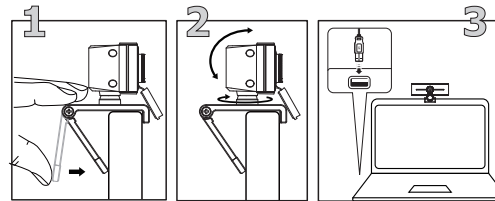
- √ Web camera 1 set
- √ User's Manual



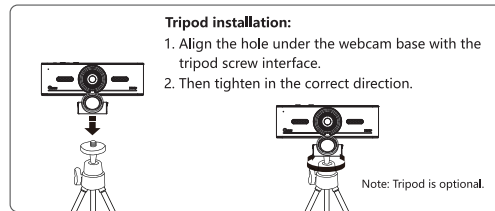
Note: When the image is not clear, please turn the focus ring counterclockwise or clockwise to adjust the sharpness.

1

Install

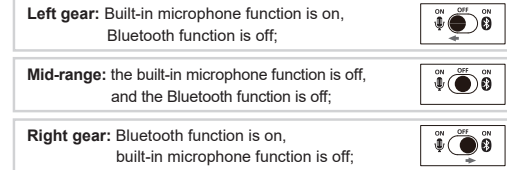


1. Place the camera on the top of the monitor and adjust the clip to ensure it is fixed on the back of the monitor.
2. After the base is fixed, you can adjust the camera by rotating left and right or tilting up and down.
3. This camera is plug and play. No need to install software, just plug the webcam into the available USB port, wait for the computer to automatically pop up a prompt to find that a new hardware can be used normally.



2

THREE GEAR TOGGLE SWITCH



BLUETOOTH FUNCTION
(only supports Bluetooth headsets and Bluetooth speakers)

Before connecting audio devices such as Bluetooth headsets, please turn off the Bluetooth function of other electronic devices. For example, the Bluetooth of the mobile phone/tablet, otherwise the Bluetooth audio device may connect back to the camera and the Bluetooth is unsuccessful;

Using the Bluetooth function for the first time:

1. Toggle the switch to the position where the Bluetooth function is turned on to the right, and long press the Bluetooth pairing button (PAIR). Enter the Bluetooth pairing mode, at this time the indicator light flashes blue;
2. Turn on the Bluetooth headset and other audio devices you want to pair to the Bluetooth pairing state;
3. Please wait for 5-10 seconds, the device will automatically connect;
4. The blue indicator light is on, and the color device is connected successfully;

3

To use the Bluetooth function again:

(Reuse refers to the Bluetooth headset and other audio devices that have been connected before to connect to the camera's Bluetooth again).

1. Make sure that the toggle switch is at the right position where the Bluetooth function is turned on, if not, please turn it to The Bluetooth function on the right is turned on;
2. Short press the Bluetooth pairing button (PAIR) to enter the reconnect mode, at this time the indicator light flashes in white;
3. Turn on your Bluetooth headset and other audio equipment;
4. Please wait for 5-10 seconds, the device will automatically connect;
5. The blue indicator light is on, indicating that the device is successfully connected back;

Button indicator

Built-in microphone on	Steady green light
Connected state	Blue light is on
Search status	Blue light flashing
Connect back state	White light flashing
Hibernation	White light is on

* If the Bluetooth device is not connected within 90 seconds, it will enter the sleep state.

4

Pairing button

Long press	3-10 seconds	Regardless of whether it is connected or not, it is forced to enter the search state for 90 seconds;
	>10 seconds	Clear the connection memory and enter the 90-second search state;
Short press	Hibernation	① If it has been connected before, it will enter the state of connecting back for 30 seconds; ② If the device has not been connected, enter the 90-second search state;
	Search status	Enter the search state for 90 seconds again;
	Connect back state	Re-enter the state of connecting back for 30 seconds again;

* When the Bluetooth device is connected, short press is invalid.

5

Technical Specification:

Bluetooth version:	5.0
Sensor:	High quality CMOS sensor
Capture Image Size :	1920*1080 / 1280*720 / 960*720 / 800*600 / 640*480 / 320*240
Frame Rate :	MJPEG---1080P/720P 30 fps YUY2---1080P 5 fps; 720P 10 fps
Output Format :	YUY2 & MJPG
Min.Sensitivity :	2.0V/Lux.Sec
Max color Depth :	30mm to infinity
Blink Control :	50Hz or 60Hz
Compatibility :	Win XP SP3/ WIN7/ WIN8/ WN10/ Android/ MAC/ LINUX
Interface :	USB2.0
Still Image format :	BMP/JPG
Dynamic Captured Video streaming format :	AVI
Working Temperature :	-10~40 C
Power Consumption :	< 1.8W
FOV	90°

6

FCC WARNING >>> ⚠

This device complies with Part 15 of the FCC Rules. Operation is subject to the following two conditions:
(1) this device may not cause harmful interference, and
(2) this device must accept any interference received, including interference that may cause undesired operation. Changes or modifications not expressly approved by the party responsible for compliance could void the user's authority to operate the equipment.

NOTE: This equipment has been tested and found to comply with the limits for a Class B digital device, pursuant to Part 15 of the FCC Rules. These limits are designed to provide reasonable protection against harmful interference in a residential installation. This equipment generates, uses and can radiate radio frequency energy and, if not installed and used in accordance with the instructions, may cause harmful interference to radio communications. However, there is no guarantee that interference will not occur in a particular installation.

- If this equipment does cause harmful interference to radio or television reception, which can be determined by turning the equipment off and on, the user is encouraged to try to correct the interference by one or more of the following measures:
- Reorient or relocate the receiving antenna.
 - Increase the separation between the equipment and receiver.
 - Connect the equipment into an outlet on a circuit different from that to which the receiver is connected.
 - Consult the dealer or an experienced radio/TV technician for help.
- The device has been evaluated to meet general RF exposure requirement. The device can be used in portable exposure condition without restriction.

7