

dprofy

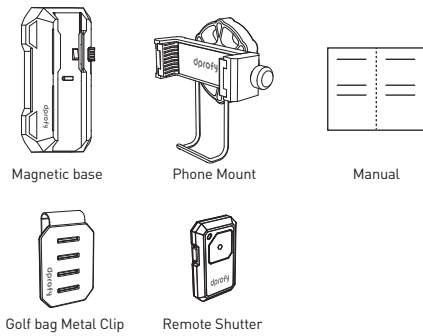
User Manual

Magnetic Golf Phone Holder

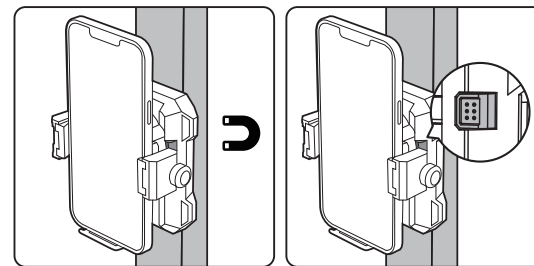
Model: GM10

www.dprofy.com

Package Contents:



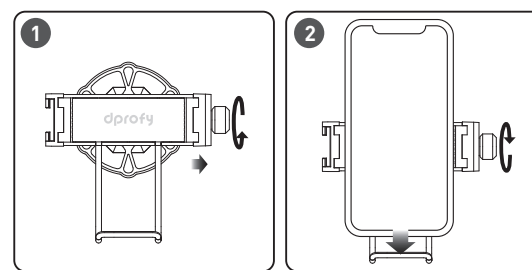
Attaches To Golf Cart:



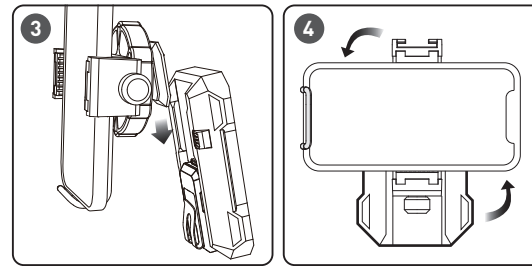
Strong magnets can firmly fix the phone holder on the golf cart. Press the blue release button on the right side of the base. The phone holder can be quickly removed.

1

Position the phone:



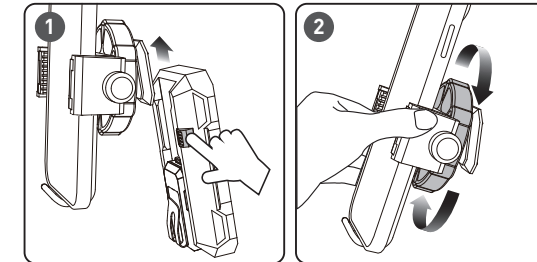
Turn the twist lock counterclockwise. Then pull the clamp arm on the right to the right. Adjust to fit the size of the phone. (Holds phones 2.4 to 3.23 inches wide.) Put the phone into the bottom holder. Then tighten the twist lock clockwise. Until the phone is completely fixed.



The bracket is aligned with the base card slot and inserted. 360° rotatable pivot, allows you to rotate any angle you desired, support both landscape and portrait viewing.

2

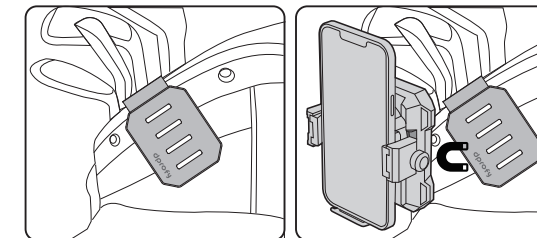
Adjust the tightness of the rotation Ball:



Press the blue release button on the right side of the base, remove the phone holder upwards. Hold the mount with your hands and rotate the washer on the back. Adjust to the state you want.

Golf Bag Clip:

A perfect pairing for the Golf Cart Magnetic Phone Mount. Can also be used to quickly and easily use magnetic golf equipment and accessories place it conveniently on your golf bag.

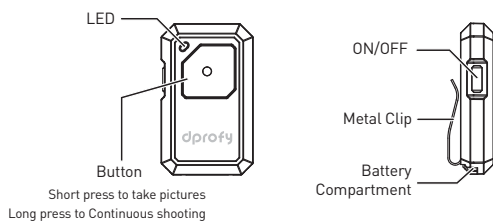
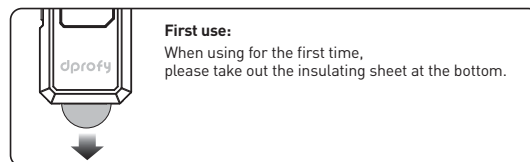


Insert the metal clip of the golf bag on the golf bag.

Then attach the magnetic phone holder to the metal clip.

3

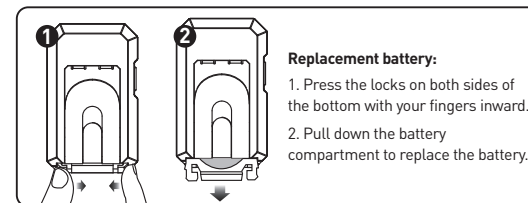
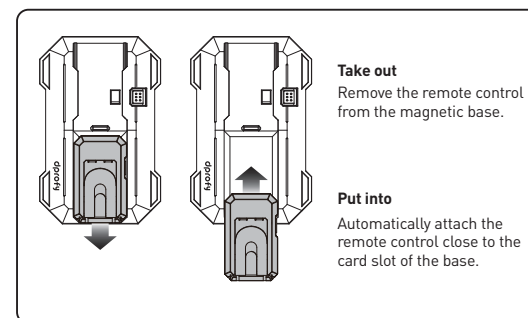
Bluetooth Remote Shutter:



1. Long press the power button to turn on;
2. Turn on the Bluetooth of the mobile phone. Select and Pair the device of **GR10**;
3. Open the camera / video original ecological app;
4. Click the Button of Bluetooth shutter to use.

Other:
1. Without opening the camera software: short press the ON/OFF button volume+; short press the camera button volume- .
2. When the screen of some Android phones is off, you can double-click the camera button to turn on the phone's camera function.

4



Note:

In order to save power, if it doesn't work for 90 seconds after powering on, it will enter the standby state. Before each use, please short press the switch, the indicator light flashes, you can use it normally. If the indicator light does not flash, please press and hold the ON/OFF button to turn it on.

5

FCC WARNING >>> ⚠

This device complies with Part 15 of the FCC Rules. Operation is subject to the following two conditions:
(1) this device may not cause harmful interference, and
(2) this device must accept any interference received, including interference that may cause undesired operation. Changes or modifications not expressly approved by the party responsible for compliance could void the user's authority to operate the equipment.

NOTE: This equipment has been tested and found to comply with the limits for a Class B digital device, pursuant to Part 15 of the FCC Rules. These limits are designed to provide reasonable protection against harmful interference in a residential installation. This equipment generates, uses and can radiate radio frequency energy and, if not installed and used in accordance with the instructions, may cause harmful interference to radio communications. However, there is no guarantee that interference will not occur in a particular installation. If this equipment does cause harmful interference to radio or television reception, which can be determined by turning the equipment off and on, the user is encouraged to try to correct the interference by one or more of the following measures:
-- Reorient or relocate the receiving antenna.
-- Increase the separation between the equipment and receiver.
-- Connect the equipment into an outlet on a circuit different from that to which the receiver is connected.
-- Consult the dealer or an experienced radio/TV technician for help.
The device has been evaluated to meet general RF exposure requirement. The device can be used in portable exposure condition without restriction.