

# SPECIFICATION FOR APPROVAL

CUSTOMER`S NAME : U20 GLOBAL CO., LTD.

CUSTOMER`S P/N : 40403005

PRODUCT SPEC : Y. WAC. 058

ISSUE DATE : 2023.9.7

PREPARED BY	CHECKED BY	APPROVED BY	CUSTOMER APPROVE



DONGGUAN BOHONG TECHNOLOGY CO., LTD

ADD: 4F, 533 Fumin Middle Road, Dalang town, Dongguan

TEL: 0769-82866410

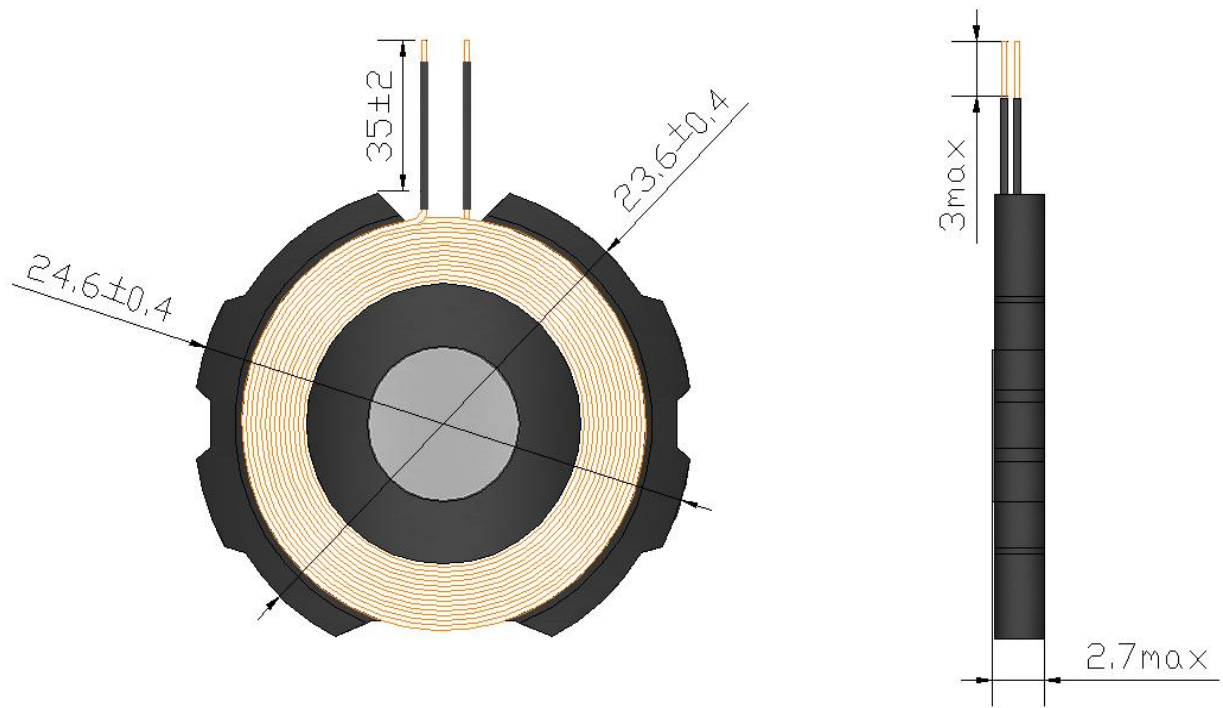
FAX: 0769-82866409



**DONGGUAN BOHONG TECHNOLOGY CO., LTD**  
**SPECIFICATION FOR APPROVAL**

CUSTOMER	U20 GLOBAL CO., LTD.	CUSTOMER'S P/N	<b>40403005</b>
ISSUE DATE	<b>2023.9.7</b>	PRODUCT SPEC	<b>Y. WAC. 058</b>

2.DIMENSION:



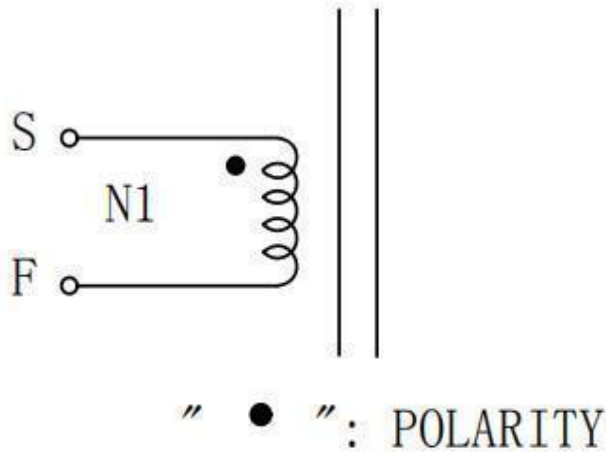
注：  
 背面贴皇冠#513双面胶；  
 磁铁7.5\*2.0mm高斯3200，“S”极朝上；  
 出线不交叉；

ISSUE		CHECK		APPROVAL	
BY		BY		BY	

**DONGGUAN BOHONG TECHNOLOGY CO., LTD**  
**SPECIFICATION FOR APPROVAL**

CUSTOMER	U20 GLOBAL CO.,LTD	CUSTOMER'S P/N	<b>40403005</b>
ISSUE DATE	<b>2023.9.7</b>	PRODUCT SPEC	<b>Y.WAC.058</b>

4.CIRCUIT DIAGRAM



5.WINDING

NO	WINDING	WIRE	TURNS	TAPE	WINDING CONDITION
N1	S-F	Ø0.08*24P	14	/	CCW

6.CHARACTERISTIC

ITEM	MEASURED POINT	TECHNICAL DATA	TESTING CONDITION & INSTRUMENT
LS	S-F	8.1uH±5%	LCR1062 100KHz/1V AT 25°C±2°C
Q	S-F	27±5	LCR1062 100KHz/1V AT 25°C±2°C