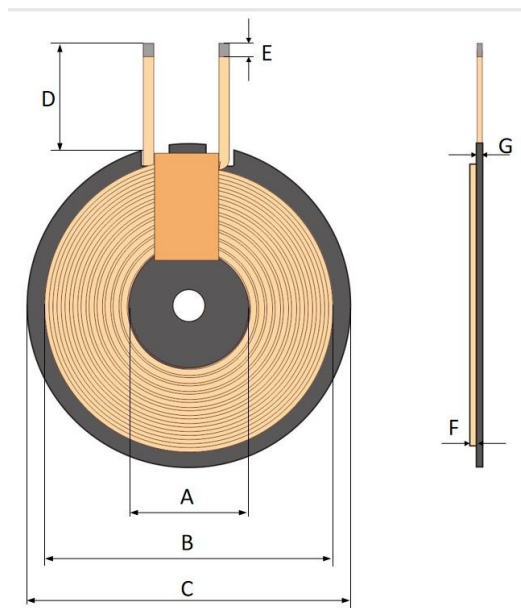


Wireless charging TX Coil A11



Model drawing



Physical drawing

Coil parameters of A11

Parameter	Symbol	Value
Inner diameter	A	$20 \pm 0.1 \text{ mm}$
Copper wire Outer diameter	B	$40.5 \pm 0.1 \text{ mm}$
Coil Outer diameter	C	$43.5 \pm 0.1 \text{ mm}$
Outlet length	D	$15 \pm 2 \text{ mm}$
Welding length	E	2-3 mm
Magnetic sheet Thickness	F	$0.8 \pm 0.2 \text{ mm}$
Coil Thickness	G	$0.9 \pm 0.05 \text{ mm}$

Electrical Characteristics

Primary Coil self inductance	$6.6 \mu\text{H} \pm 10\%$
Quality factor	80
Direct Current Resistance	$80 \text{ m}\Omega$
Operating Temperature	$-25^\circ\text{C} \sim 85^\circ\text{C}$

list of materials

list	materials
------	-----------

WIRE	∅ 0.08*24-2p 2UEW-1mm
FERRITE	43.5*5.1*1 I-Slot hard ferrite
GLUE	white glues
SOLDER	XCD-907B
Gain	0dBi for 110K-205KHz