

SPECIFICATION FOR APPROVAL

CUSTOMER`S NAME : U20 GLOBAL CO., LTD.

CUSTOMER`S P/N : 40403005

PRODUCT SPEC : Y. WAC. 058

ISSUE DATE : 2023.9.7

PREPARED BY	CHECKED BY	APPROVED BY	CUSTOMER APPROVE



DONGGUAN BOHONG TECHNOLOGY CO., LTD

ADD: 4F, 533 Fumin Middle Road, Dalang town, Dongguan

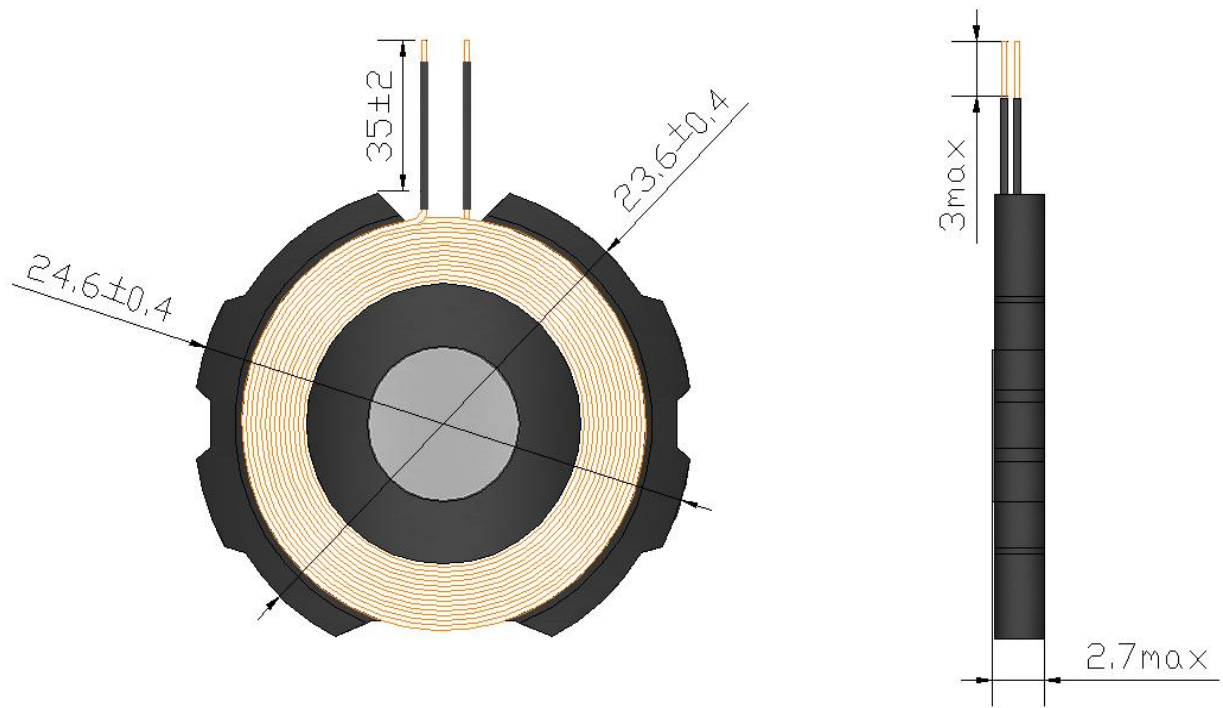
TEL: 0769-82866410

FAX: 0769-82866409

DONGGUAN BOHONG TECHNOLOGY CO., LTD
SPECIFICATION FOR APPROVAL

CUSTOMER	U20 GLOBAL CO., LTD.	CUSTOMER'S P/N	40403005
ISSUE DATE	2023.9.7	PRODUCT SPEC	Y. WAC. 058

2.DIMENSION:

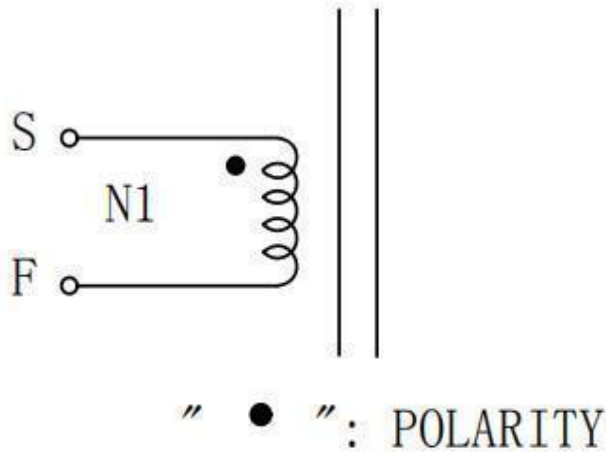


ISSUE		CHECK		APPROVAL	
BY		BY		BY	

DONGGUAN BOHONG TECHNOLOGY CO., LTD
SPECIFICATION FOR APPROVAL

CUSTOMER	U20 GLOBAL CO.,LTD	CUSTOMER'S P/N	40403005
ISSUE DATE	2023.9.7	PRODUCT SPEC	Y.WAC.058

4.CIRCUIT DIAGRAM



5.WINDING

NO	WINDING	WIRE	TURNS	TAPE	WINDING CONDITION
N1	S-F	Ø0.08*24P	14	/	CCW

6.CHARACTERISTIC

ITEM	MEASURED POINT	TECHNICAL DATA	TESTING CONDITION & INSTRUMENT
LS	S-F	8.1uH±5%	LCR1062 100KHz/1V AT 25°C±2°C
Q	S-F	27±5	LCR1062 100KHz/1V AT 25°C±2°C