

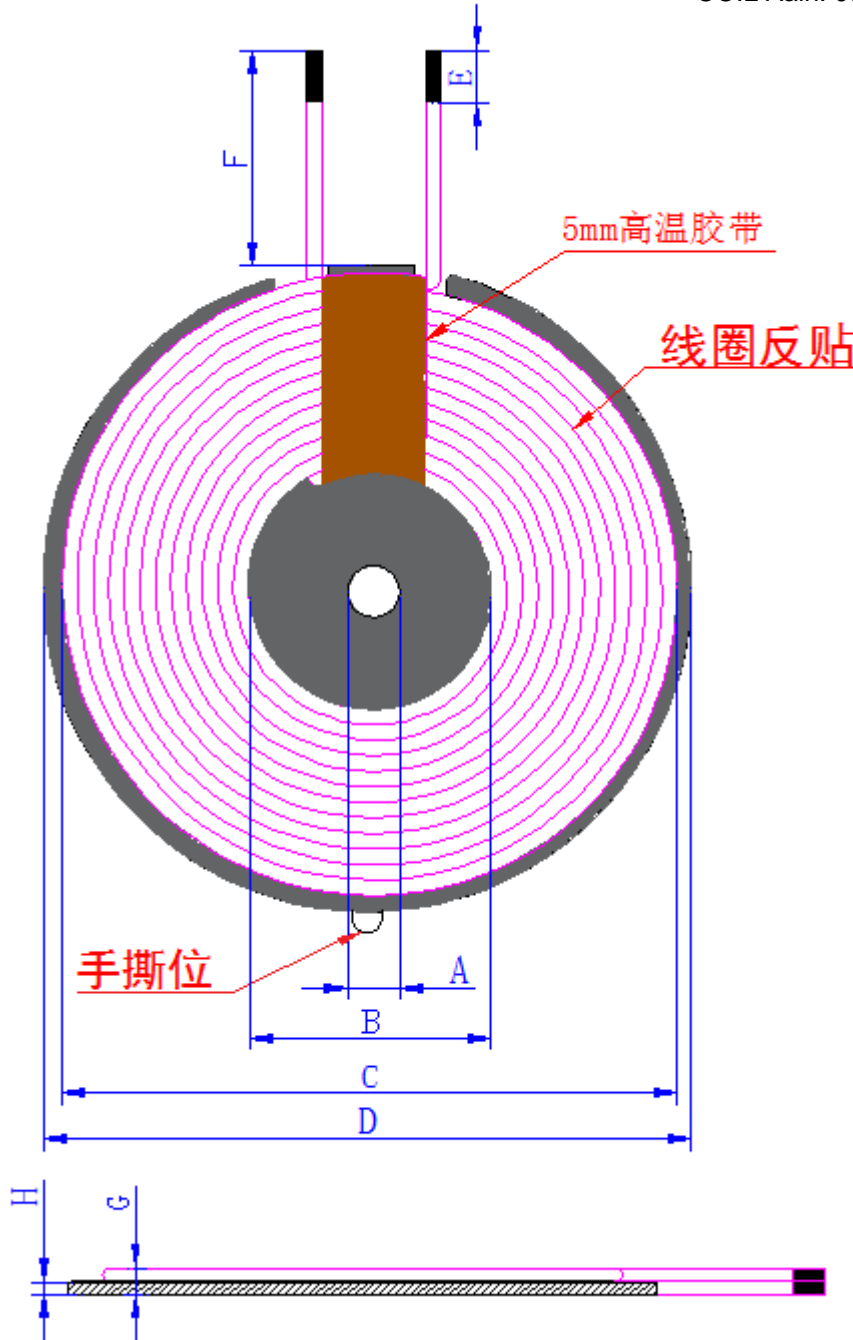
Version 1.0.0

Specifications

Model Number	A11-G44	Customer P / N	166630250324
		Supplier P / N	

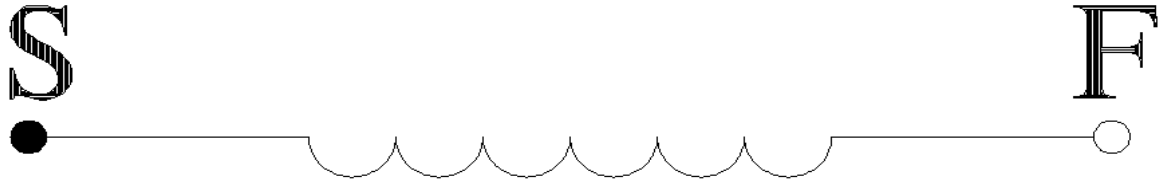
— Appearance Size: (mm)

COIL Aain: 0dB_i



A	5.3±0.5
B	14±0.5
C	40±1
D	44±1
E	3.5±1.5
F	15±2
G	2.8MAX
H	1.0±0.2
I	
J	
K	
L	
M	
N	
O	
P	
Q	
R	
S	
T	
U	
V	
W	
X	
Y	
Z	

二, Schematic Diagram:



三, Winding Parameters:

Winding	Start	Finish	Turns	Line Diameter	Winding Way	Winding Direction	Layer&Circle
	S	F	12TS	0.08*105P 3UE			1 /12TS

四, Electrical Characteristics:

Item	Terminal	Test Conditions	Test Instrument	Parameter	Unit	Numerical Value
Inductance	S-F	100KHz/1.00V/100Ω	1062 电桥	Inductance @100KHz/1V	μH	6.5μH±10%
Resistance	S-F	100KHz/1.00V/100Ω	1062 电桥	RS@100KHz/1V	mΩ	75MAX
Q 值	S-F	100KHz/1.00V/100Ω	1062 电桥	Q@100KHz/1V		50MIN