



# FCC DFS TEST REPORT

Applicant : Ubiquiti Inc.  
Address : 685 Third Avenue, New York, New York 10017,  
USA  
Equipment : UniFi Talk Phone Touch Max  
Model No. : UTP-TouchMax, UTP-TouchMax-White  
Trade Name : UBIQUITI  
FCC ID : SWX-UTPTM

**I HEREBY CERTIFY THAT :**

The sample was received on May. 27, 2021 and the testing was completed on Mar. 11, 2022 at CerpPASS Technology Corp. The test result refers exclusively to the test presented test model / sample. Without written approval of CerpPASS Technology Corp., the test report shall not be reproduced except in full.

Approved by:

Mark Liao / Supervisor

Laboratory Accreditation:

CerpPASS Technology Corporation Test Laboratory





**CONTENTS**

- 1. Summary of Test Procedure and Test Results ..... 4
  - 1.1. Applicable Standards ..... 4
- 2. Test Configuration of Equipment under Test ..... 5
  - 2.1. Feature of Equipment under Test..... 5
  - 2.2. Description of Test System..... 6
  - 2.3. General Information of Test..... 7
  - 2.4. Measurement Uncertainty ..... 7
- 3. Test Equipment and Ancillaries Used for Tests ..... 8
- 4. Antenna Requirements ..... 9
  - 4.1. Standard Applicable ..... 9
  - 4.2. Antenna Construction and Directional Gain..... 9
- 5. Dynamic Frequency Selection ..... 10
  - 5.1. List of Measurement and Examinations ..... 10
  - 5.2. Test Setup ..... 12
  - 5.3. DFS Detection Threshold..... 15
  - 5.4. Channel Availability Check Time ..... 17
  - 5.5. Radar Burst at the Beginning of the Channel Availability Check Time ..... 18
  - 5.6. Radar Burst at the End of the Channel Availability Check Time ..... 19
  - 5.7. U-NII Detection Bandwidth..... 20
  - 5.8. Statistical Performance Check ..... 21
  - 5.9. In-Service Monitoring ..... 22
  - 5.10. Non-Occupancy Period ..... 24
  - 5.11. EUT Setup Photos ..... 26





# 1. Summary of Test Procedure and Test Results

## 1.1. Applicable Standards

**ANSI C63.10:2013**

**FCC Rules and Regulations Part 15 Subpart E §15.407**

**KDB 789033**

**KDB 905462**

FCC Rule	Description of Test	Result
15.407	Dynamic Frequency Selection	PASS

\*The lab has reduced the uncertainty risk factor from test equipment, environment and staff technicians which according to the standard on contract. Therefore, the test result will only be determined by standard requirement.



## 2. Test Configuration of Equipment under Test

### 2.1. Feature of Equipment under Test

Frequency Range	NFC: 13.553MHz~13.567MHz BT / BLE: 2400-2483.5MHz 802.11b/g/n: 2400-2483.5MHz 802.11a/n/ac: 5150-5250MHz, 5250-5350MHz, 5470-5725MHz, 5725-5850MHz
Modulation Type	NFC : ASK BT: GFSK, $\pi/4$ -DQPSK, 8DPSK BLE: GFSK 802.11b: CCK, DQPSK, DBPSK 802.11g/n/a: BPSK, QPSK, 16QAM, 64QAM 802.11ac: BPSK, QPSK, 16QAM, 64QAM, 256QAM
Modulation Technology	DSSS, OFDM, FHSS, DTS
Data Rate	BT: GFSK: 1Mbps, $\pi/4$ -DQPSK: 2Mbps, 8DPSK: 3Mbps BLE: GFSK: 1Mbps WLAN: 802.11b: 1, 2, 5.5, 11Mbps 802.11g: 6, 9, 12, 18, 24, 36, 48, 54Mbps 802.11n: MCS0 – MCS7, HT20/40 802.11a: 6, 9, 12, 18, 24, 36, 48, 54Mbps 802.11ac: MCS0 – MCS9, VHT20/40/80
Antenna Type	For NFC: Loop Antenna For BT&WLAN: Internal Antenna
Antenna Gain	For NFC: 13.553MHz~13.567MHz: 0dBi For BT/BLE:2400-2480MHz: 0dBi For WLAN: 2400-2483.5MHz: 2dBi 5150-5850MHz: 4.5dBi
Type-C Adapter	Brand: UBIQUITI Model: E015-1G050300VU

Note:

1. EUT supports DFS Client Mode
2. EUT supports communication Mode(IP Based).
3. For more details, please refer to the User's manual of the EUT.

Difference description:

Model No.	Remark
UTP-TouchMax	Black enclosure.
UTP-TouchMax-White	White enclosure.



## 2.2. Description of Test System

DFS					
Equipment	Brand	Model	Length/Type	Power cord/Length/Type	FCC ID
Notebook	ASUS	P2430U	N/A	Adapter / 1.8m / NS	
AP	NETGEAR	R7800	N/A	Adapter / 1.5m / NS	PY315200310
RJ45 Cable	N/A	N/A	1.2m / NS	N/A	
RJ45 Cable	N/A	N/A	1.2m / NS	N/A	
POE	UBIQUITI	GP-H480-050G	N/A	0.6m / NS	

EUT FW: uvp\_touchmax-userdebug 9 PKQ1.181021.001 V044.20210908.124720



### 2.3. General Information of Test

Test Site	<b>Cerpass Technology Corporation Test Laboratory</b> Address: No.10, Ln. 2, Lianfu St., Luzhu Dist., Taoyuan City 33848, Taiwan (R.O.C.) Tel:+886-3-3226-888 Fax:+886-3-3226-881	
	FCC	TW1439, TW1079
	IC	4934E-1, 4934E-2
	VCCI	T-2205 for Telecommunication test C-4663 for Conducted emission test R-4218 for Radiated emission test G-10812, G-10813 for radiated disturbance above 1GHz
Frequency Range Investigated:	Conducted: from 150kHz to 30 MHz Radiation: from 30 MHz to 40,000MHz	
Test Distance:	The test distance of radiated emission from antenna to EUT is 3 M.	

Test Item	Test Site	Finish Date	Environmental Conditions	Tested By
DFS	RFDFS01-NK	2022/03/11	25°C / 59%	Dian Chen

### 2.4. Measurement Uncertainty

ISO/IEC 17025 requires that an estimate of the measurement uncertainties associated with the emissions test results be included in the report. The measurement uncertainties given below are based on a 95% confidence level (based on a coverage factor (k=2))

Measurement Item	Uncertainty
Channel Move Time	±1.4%
Channel Closing Transmission Time	±6.4%
Threshold	±1.7dB



### 3. Test Equipment and Ancillaries Used for Tests

<b>Test Item</b>	DFS				
<b>Test Site</b>	RFDFS01-NK				
<b>Instrument</b>	<b>Manufacturer</b>	<b>Model No</b>	<b>Serial No</b>	<b>Calibration Date</b>	<b>Valid Date</b>
CAX Signal Analyzer	KEYSIGHT	N9000B	MY57100291	2021/11/17	2022/11/16
MXG-B RF Vector Signal Generator	KEYSIGHT	N5182B	MY53051383	2021/06/30	2022/06/29
N7607C Signal Studio	KEYSIGHT	v1.5.5.0	NA	NA	NA
InServiceMonitorUtility	Theda	v10.0.0.0	NA	NA	NA





## 4. Antenna Requirements

### 4.1. Standard Applicable

For intentional device, according to FCC 47 CFR Section 15.203, an intentional radiator shall be designed to ensure that no antenna other than that furnished by the responsible party shall be used with the device.

And according to FCC 47 CFR Section 15.407 (a), if transmitting antennas of directional gain greater than 6dBi are used, the power shall be reduced by the amount in dB that the directional gain of the antenna exceeds 6dBi.

### 4.2. Antenna Construction and Directional Gain

Antenna Type	Internal Antenna
Antenna Gain	2400MHz-2483.5MHz: 2 dBi 5150MHz-5250MHz: 4.5 dBi 5250MHz-5350MHz: 4.5 dBi 5470MHz-5725MHz: 4.5 dBi 5725MHz-5850MHz: 4.5 dBi



## 5. Dynamic Frequency Selection

### 5.1. List of Measurement and Examinations

#### EUT Applicability of DFS requirements and Frequency Range

Operation Mode		Operating Frequency Range	
		5250-5350MHz	5470-5725MHz
Master	--	--	--
Client without radar detection	√	√	√
Client with radar detection	--	--	--

#### DEVICES WITH RADAR DETECTION

MAXIMUM TRANSMIT POWER	VALUE (SEE Note 1 and 2)
≥ 200 milliwatt	-64 dBm
EIRP < 200 milliwatt and power spectral density < 10 dBm/MHz	-62 dBm
EIRP < 200 milliwatt that do not meet the power spectral density requirement	-64 dBm

Note 1: This is the level at the input of the receiver assuming a 0 dBi receive antenna.

Note 2: Throughout these test procedures an additional 1 dB has been added to the amplitude of the test transmission waveforms to account for variations in measurement equipment. This will ensure that the test signal is at or above the detection threshold level to trigger a DFS response.

Note3: EIRP is based on the highest antenna gain. For MIMO devices refer to KDB Publication 662911

**Table1: Applicability of DFS requirements prior to use of a channel**

REQUIREMENT RADAR	OPERATIONAL MODE		
	MASTER	CLIENT WITHOUT RADAR DETECTION	CLIENT WITH RADAR DETECTION
Non-Occupancy Period	V	Not required	V
DFS Detection Threshold	V	Not required	V
Channel Availability Check Time	V	Not required	Not required
U-NII Detection Bandwidth	V	Not required	V



**Table2: Applicability of DFS requirements during normal operation**

REQUIREMENT RADAR	OPERATIONAL MODE		
	MASTER	CLIENT WITHOUT RADAR DETECTION	CLIENT WITH RADAR DETECTION
DFS Detection Threshold	√	Not required	√
Channel Closing Transmission Time	√	√	√
Channel Move Time	√	√	√
U-NII Detection Bandwidth	√	Not required	√

Additional requirements for devices with multiple bandwidth modes	Master or Client with radar detection	Client without radar detection
U-NII Detection Bandwidth and Statistical Performance Check	All BW modes must be tested	Not required
Channel Move Time and Channel Closing Transmission Time	Test using widest BW mode available	Test using the widest BW mode available for the link
All other	Any single BW mode	Not required

Note: Frequencies selected for statistical performance check (Section 7.8.4) should include several frequencies within the radar detection bandwidth and frequencies near the edge of the radar detection bandwidth. For 802.11 devices it is suggested to select frequencies in each of the bonded 20 MHz channels and the channel center frequency.



## 5.2. Test Setup

### Setup for Master with injection at the Master

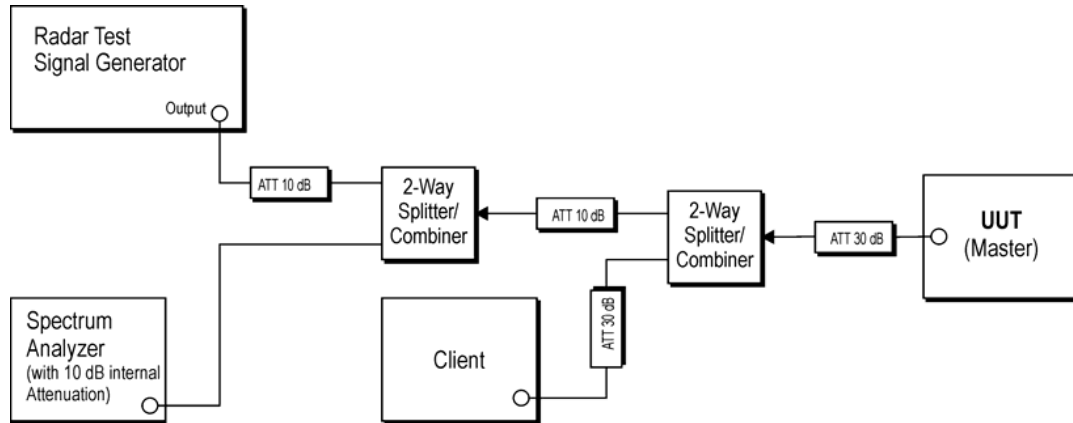


Figure 1: Example Conducted Setup where UUT is a Master and Radar Test Waveforms are injected into the Master

### Setup for Client with injection at the Master

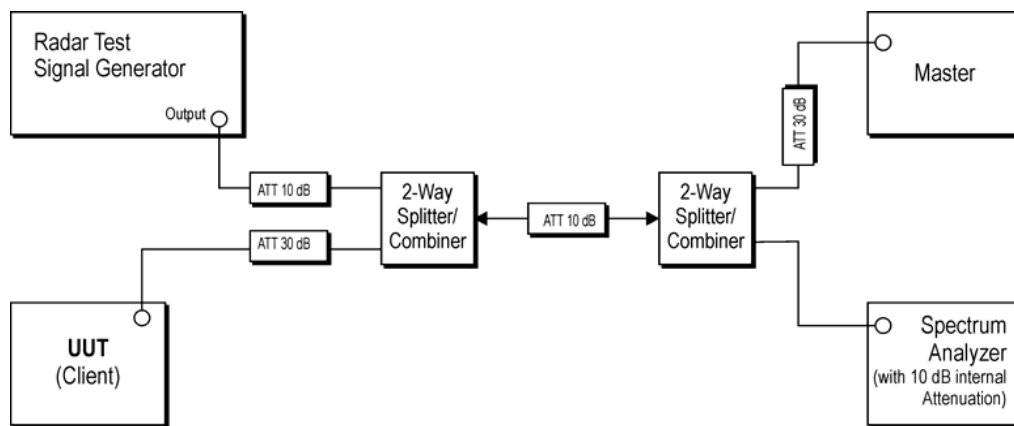


Figure 2: Example Conducted Setup where UUT is a Client and Radar Test Waveforms are injected into the Master



### Setup for Client with injection at the Client

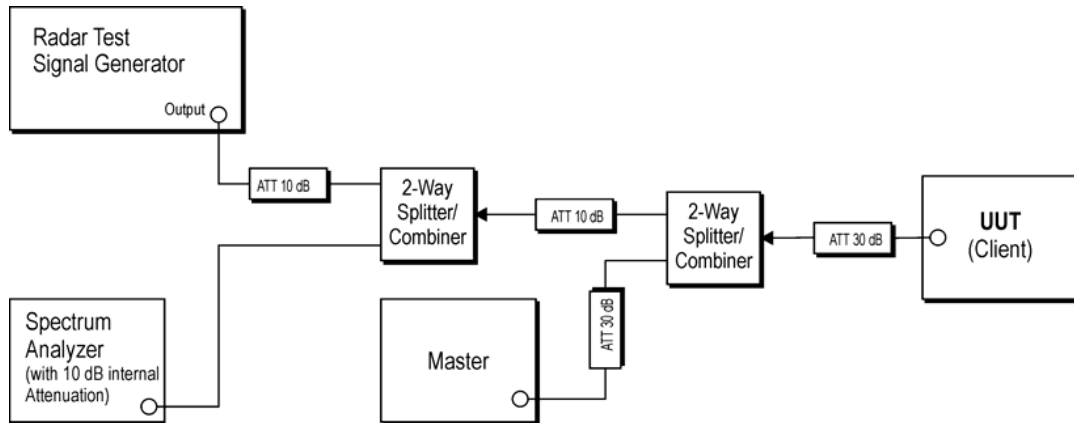


Figure 3: Example Conducted Setup where UUT is a Client and Radar Test Waveforms are injected into the Client

### Radiated Tests Setup for Master with injection at the Master

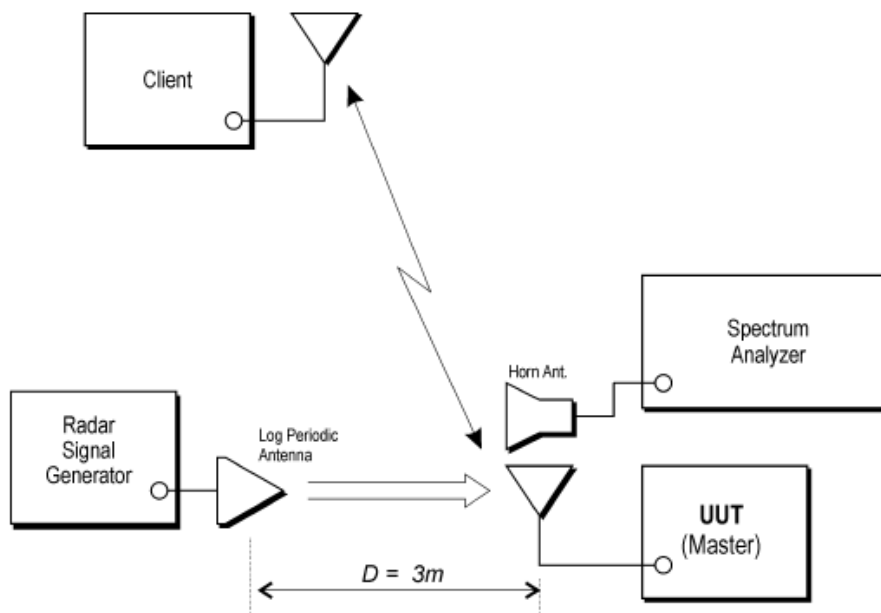


Figure 5: Example Radiated Setup where UUT is a Master and Radar Test Waveforms are injected into the Master.



**Radiated Tests Setup for Client with injection at the Master**

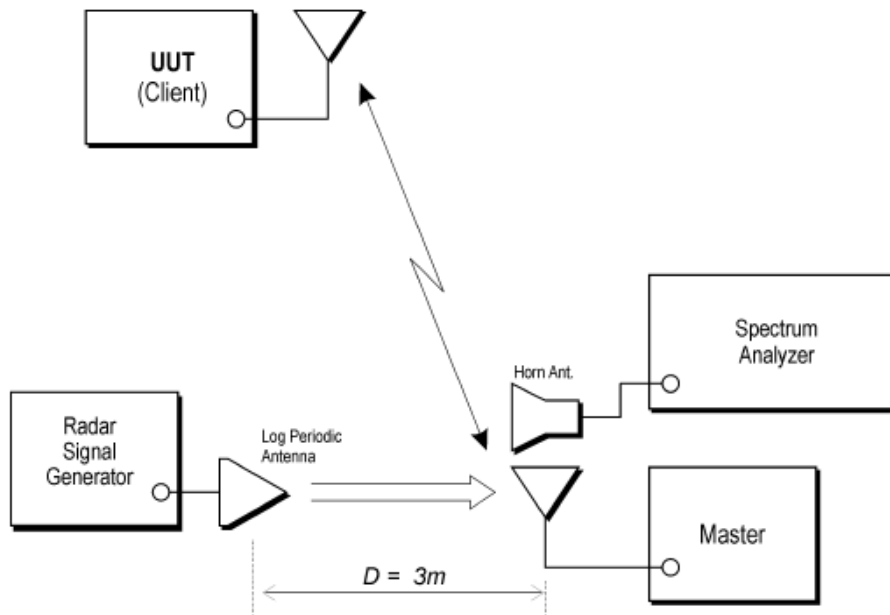


Figure 6: Example Radiated Setup where UUT is a Client and Radar Test Waveforms are injected into the Master

**Radiated Tests Setup for Client with injection at the Client**

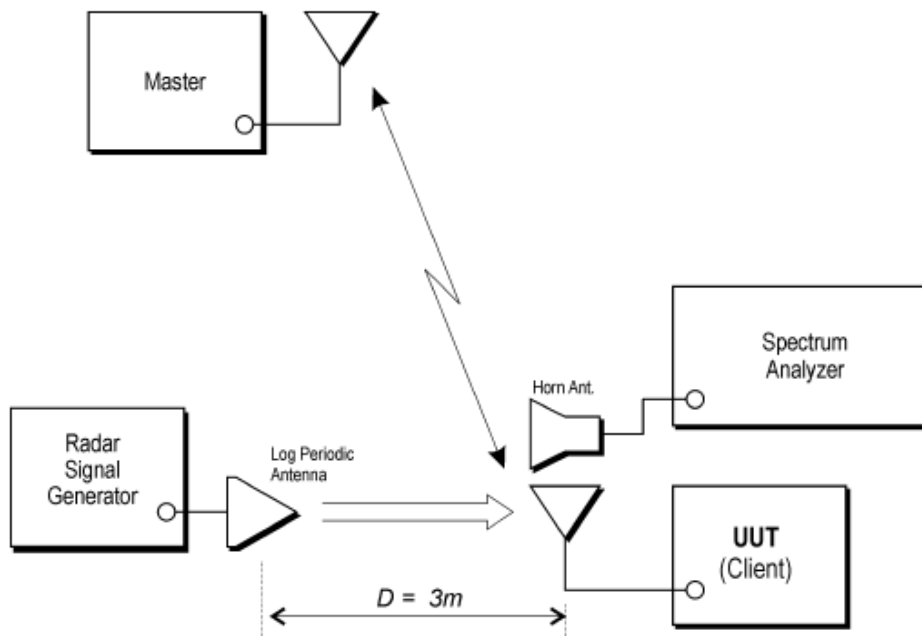


Figure 7: Example Radiated Setup where UUT is a Client and Radar Test Waveforms are injected into the Client



### 5.3. DFS Detection Threshold

DFS Detection Threshold is the level used by the DFS mechanism to detect radar interference.

#### 5.3.1. Test Limit

Limits Clause 4.7.2.1.2

DFS Detection Thresholds for Master Devices and Client Devices with Radar

Detection

MAXIMUM TRANSMIT POWER	VALUE (SEE Note 1 and 2)
≥ 200 milliwatt	-64 dBm
EIRP < 200 milliwatt and power spectral density < 10 dBm/MHz	-62 dBm
EIRP < 200 milliwatt that do not meet the power spectral density requirement	-64 dBm

Note 1: This is the level at the input of the receiver assuming a 0 dBi receive antenna.  
 Note 2: Throughout these test procedures an additional 1 dB has been added to the amplitude of the test transmission waveforms to account for variations in measurement equipment. This will ensure that the test signal is at or above the detection threshold level to trigger a DFS response.  
 Note3: EIRP is based on the highest antenna gain. For MIMO devices refer to KDB Publication 662911

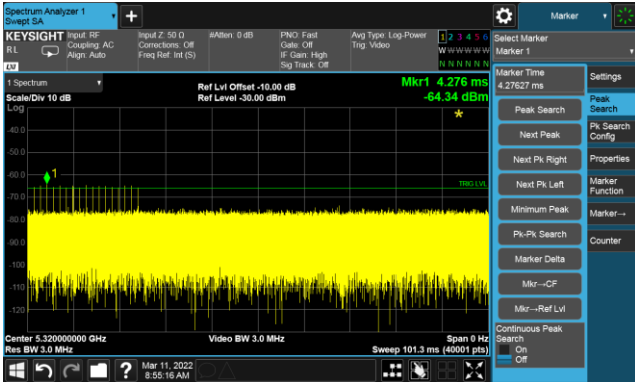
Max. output power	Band: 5250MHz ~ 5350MHz
	802.11a: 16.33dBm
	802.11n HT20: 16.40dBm
	802.11n HT40: 16.08dBm
	802.11ac VHT20: 16.43dBm
	802.11ac VHT40: 16.10dBm
	802.11ac VHT80: 13.00dBm
	Band: 5470MHz ~ 5725MHz
	802.11a: 16.94dBm
	802.11n HT20: 16.95dBm
	802.11n HT40: 16.69dBm
	802.11ac VHT20: 16.98dBm
	802.11ac VHT40: 16.72dBm
	802.11ac VHT80: 16.55Bm



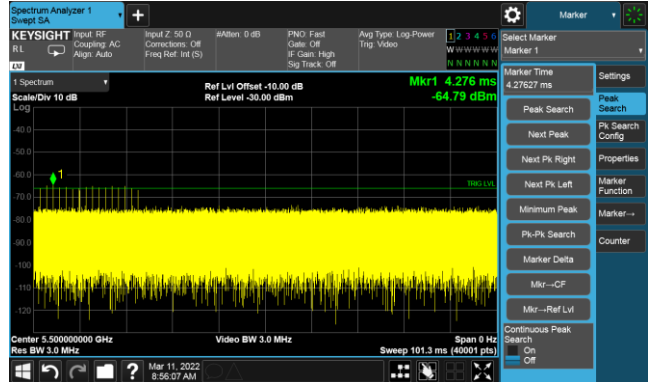
### 5.3.2. Test Result of DFS Detection Threshold

EIRP < 200 milliwatt , Radar 0 VALUE -64dBm

Modulation Standard: 802.11ac VHT80, 5260MHz



Modulation Standard: 802.11ac VHT80, 5500MHz







#### 5.4. Channel Availability Check Time

The Channel Availability Check is defined as the mechanism by which an RLAN device checks a channel for the presence of radar signals.

There shall be no transmissions by the device within the channel being checked during this process. If no radars have been detected, the channel becomes an Available Channel valid for a period of time.

The RLAN shall only start transmissions on Available Channels.

At power-up, the RLAN is assumed to have no Available Channels.

##### 5.4.1. Test Limit

Limits Clause 4.7.2.1.2

Table D.2: DFS requirement values

Parameter	Value
Channel Availability Check	> 60s

##### 5.4.2. Test Result of Channel Availability Check

Not required



### 5.5. Radar Burst at the Beginning of the Channel Availability Check Time

The steps below define the procedure to verify successful radar detection on the test Channel during a period equal to the Channel Availability Check Time and avoidance of operation on that Channel when a radar Burst with a level equal to the DFS Detection Threshold + 1 dB occurs at the beginning of the Channel Availability Check Time. This is illustrated in **Figure 15**.

- a) The Radar Waveform generator and UUT are connected using the applicable test setup described in the sections on configuration for Conducted Tests or Radiated Tests and the power of the UUT is switched off.
- b) The UUT is powered on at  $T_0$ .  $T_1$  denotes the instant when the UUT has completed its power-up sequence ( $T_{power\_up}$ ). The Channel Availability Check Time commences on Chr at instant  $T_1$  and will end no sooner than  $T_1 + T_{ch\_avail\_check}$ .
- c) A single Burst of one of the Short Pulse Radar Types 0-4 will commence within a 6 second window starting at  $T_1$ . An additional 1 dB is added to the radar test signal to ensure it is at or above the DFS Detection Threshold, accounting for equipment variations/errors.
- d) Visual indication or measured results on the UUT of successful detection of the radar Burst will be recorded and reported. Observation of Chr for UUT emissions will continue for 2.5 minutes after the radar Burst has been generated.
- e) Verify that during the 2.5 minute measurement window no UUT transmissions occurred on Chr. The Channel Availability Check results will be recorded.

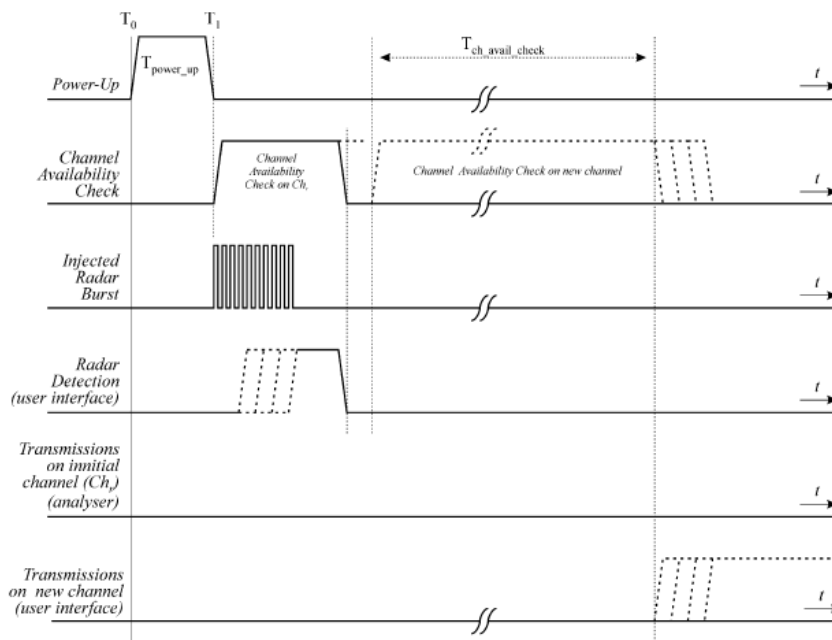


Figure 15: Example of timing for radar testing at the beginning of the Channel Availability Check Time

#### 5.5.1. Test Result of radar burst at the beginning of the Channel Availability Check Time

Not required



### 5.6. Radar Burst at the End of the Channel Availability Check Time

The steps below define the procedure to verify successful radar detection on the test Channel during a period equal to the Channel Availability Check Time and avoidance of operation on that Channel when a radar Burst with a level equal to the DFS Detection Threshold + 1dB occurs at the end of the Channel Availability Check Time. This is illustrated in **Figure 16**.

- a) The Radar Waveform generator and UUT are connected using the applicable test setup described in the sections for Conducted Tests or Radiated Tests and the power of the UUT is switched off.
- b) The UUT is powered on at T<sub>0</sub>. T<sub>1</sub> denotes the instant when the UUT has completed its power-up sequence (T<sub>power\_up</sub>). The Channel Availability Check Time commences on Chr at instant T<sub>1</sub> and will end no sooner than T<sub>1</sub> + T<sub>ch\_avail\_check</sub>.
- c) A single Burst of one of the Short Pulse Radar Types 0-4 will commence within a 6 second window starting at T<sub>1</sub> + 54 seconds. An additional 1 dB is added to the radar test signal to ensure it is at or above the DFS Detection Threshold, accounting for equipment variations/errors.
- d) Visual indication or measured results on the UUT of successful detection of the radar Burst will be recorded and reported. Observation of Chr for UUT emissions will continue for 2.5 minutes after the radar Burst has been generated.
- e) Verify that during the 2.5 minute measurement window no UUT transmissions occurred on Chr. The Channel Availability Check results will be recorded.

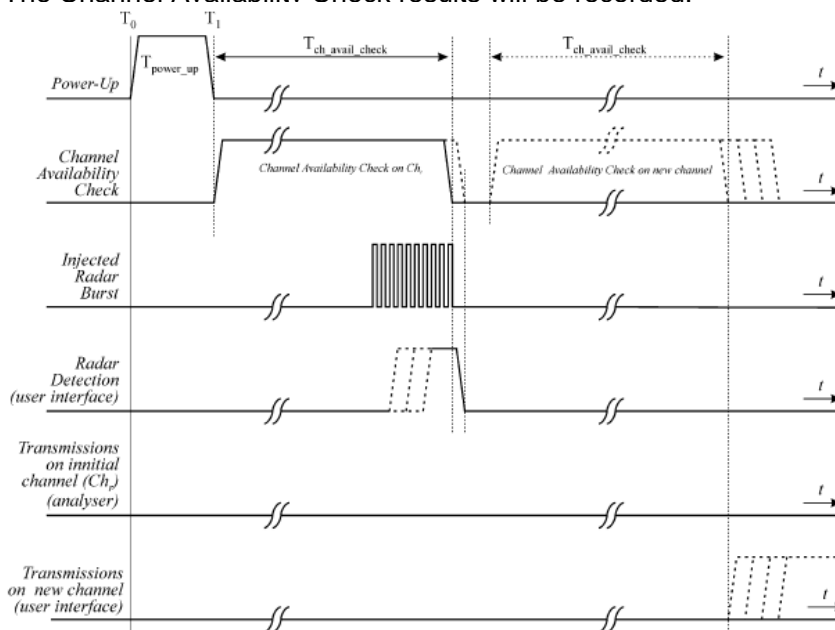


Figure 16: Example of timing for radar testing towards the end of the Channel Availability Check Time

#### 5.6.1. Test Result of radar burst at the end of the Channel Availability Check Time

Not required



### 5.7. U-NII Detection Bandwidth

Additional requirements for devices with multiple bandwidth modes	Master or Client with radar detection	Client without radar detection
U-NII Detection Bandwidth and Statistical Performance Check	All BW modes must be tested	Not required
Note: Frequencies selected for statistical performance check (Section 7.8.4) should include several frequencies within the radar detection bandwidth and frequencies near the edge of the radar detection bandwidth. For 802.11 devices it is suggested to select frequencies in each of the bonded 20 MHz channels and the channel center frequency.		

#### 5.7.1. Test Limit

Limits Clause 4.7.2.1.2 Table D.2: DFS requirement values

Parameter	Value
U-NII Detection Bandwidth	Minimum 100% of the U-NII 99% transmission
Note : During the U-NII Detection Bandwidth detection test, radar type 0 should be used. For each frequency step the minimum percentage of detection is 90 percent. Measurements are performed with no data traffic.	

#### 5.7.2. Test Result of U-NII Detection Bandwidth

Not required



## 5.8. Statistical Performance Check

The UUT will select channel by random mode and remember this channel when detect radar signal, so that will select unused channel by random mode.

### 5.8.1. Test Result of Uniform Spreading

Not required



### 5.9. In-Service Monitoring

The In-Service Monitoring is defined as the process by which an RLAN monitors the Operating Channel for the presence of radar signals.

Additional requirements for devices with multiple bandwidth modes	Master or Client with radar detection	Client without radar detection
U-NII Detection Bandwidth and Statistical Performance Check	All BW modes must be tested	Not required
Channel Move Time and Channel Closing Transmission Time	Test using widest BW mode available	Test using the widest BW mode available for the link
All other	Any single BW mode	Not required
Note: Frequencies selected for statistical performance check (Section 7.8.4) should include several frequencies within the radar detection bandwidth and frequencies near the edge of the radar detection bandwidth. For 802.11 devices it is suggested to select frequencies in each of the bonded 20 MHz channels and the channel center frequency.		

#### 5.9.1. Test Limit

Parameter	Value
Channel Move Time	< 10 s (See Note 1)
Channel Closing Transmission Time	< 200 ms+ an aggregate of 60 milliseconds over remaining 10 second period. (See Notes 1 and Notes 2.)
<p>Note 1: Channel Move Time and the Channel Closing Transmission Time should be performed with Radar Type 0. The measurement timing begins at the end of the Radar Type 0 burst.</p> <p>Note 2: The Channel Closing Transmission Time is comprised of 200 milliseconds starting at the beginning of the Channel Move Time plus any additional intermittent control signals required to facilitate a Channel move (an aggregate of 60 milliseconds) during the remainder of the 10 second period. The aggregate duration of control signals will not count quiet periods in between transmissions.</p>	

#### Limits Clause 4.7.2.2.2

The In-Service Monitoring shall be used to continuously monitor an Operating Channel.

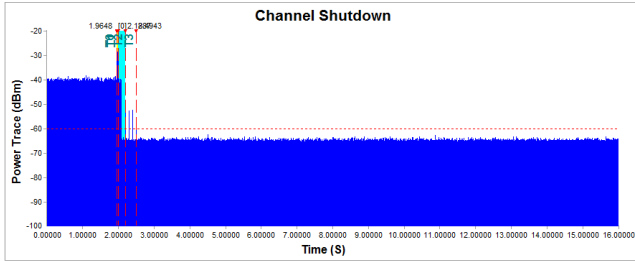
The In-Service-Monitoring shall start immediately after the RLAN has started transmissions on an Operating Channel.



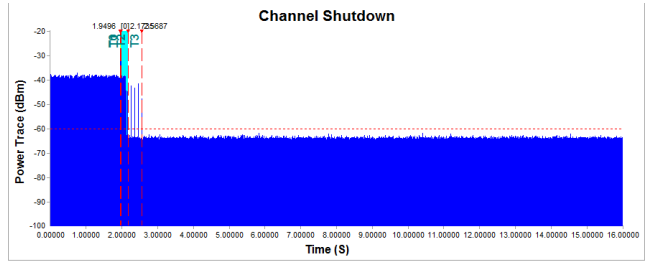
### 5.9.2. Test Result of In-Service Monitoring

Modulation Standard: 802.11ac VHT80, 5260MHz

Modulation Standard: 802.11ac VHT80, 5500MHz



Time Index Info			
T0 : 1.9648 S	(Radar Injection Start)	Time Per Bin: 0.39999 ms	Channel Move Time: 0.5055874 S
T1 : 1.9888 S	(Radar Injection Stop)		
T2 : 2.1897 S	(300nsec Interval)	T2-T3 Bins Over Threshold:	Channel Close Time: 0.0023999 S
T3 : 2.4943 S	(Channel Move Time)	= 6 Bins	



Time Index Info			
T0 : 1.9496 S	(Radar Injection Start)	Time Per Bin: 0.39999 ms	Channel Move Time: 0.5951851 S
T1 : 1.9736 S	(Radar Injection Stop)		
T2 : 2.1735 S	(300nsec Interval)	T2-T3 Bins Over Threshold:	Channel Close Time: 0.0023999 S
T3 : 2.5687 S	(Channel Move Time)	= 6 Bins	



### 5.10. Non-Occupancy Period

The Channel Shutdown is defined as the process initiated by the RLAN device immediately after a radar signal has been detected on an Operating Channel.

The master device shall instruct all associated slave devices to stop transmitting on this channel, which they shall do within the Channel Move Time.

Slave devices with a Radar Interference Detection function, shall stop their own transmissions within the Channel Move Time.

The aggregate duration of all transmissions of the RLAN device on this channel during the Channel Move Time shall be limited to the Channel Closing Transmission Time. The aggregate duration of all transmissions shall not include quiet periods in between transmissions.

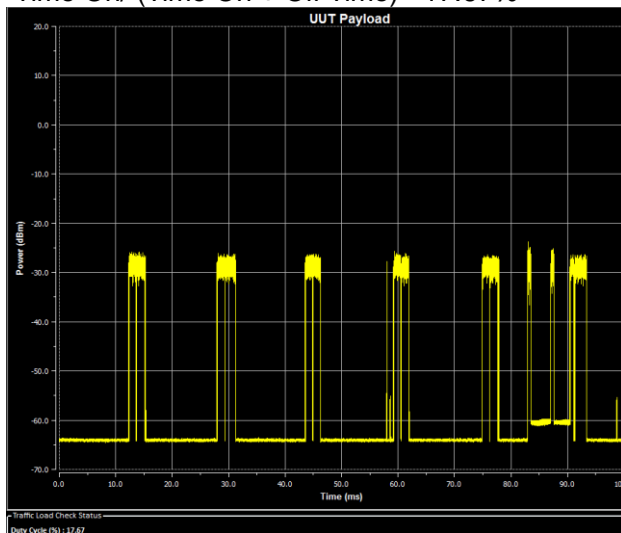
#### 5.10.1. Test Limit

Radar Test Signal	Master (min)	Client (min)
0	> 30	> 30

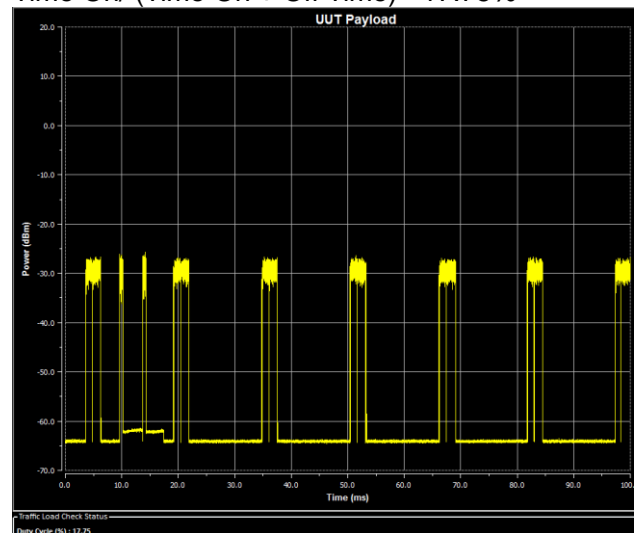
#### 5.10.2. Channel Loading

Timing plots are required with calculations demonstrating a minimum channel loading of approximately 17% or greater. For example, channel loading can be estimated by setting the spectrum analyzer for zero span and approximate the Time On/ (Time On + Off Time). This can be done with any appropriate channel BW and modulation type

5290MHz, 802.11ac VHT80, Band 2  
Time On/ (Time On + Off Time) =17.67%



5530MHz, 802.11ac VHT80, Band 3  
Time On/ (Time On + Off Time) =17.75%







### 5.10.3. Test Result of Non-Occupancy Period

Modulation Standard: 802.11ac VHT80, 5260MHz



Modulation Standard: 802.11ac VHT80, 5500MHz



-----THE END OF REPORT-----