

**UniFi**® | SWITCH **Leaf**

48-Port 25 Gbps SFP28 and  
6-Port 100 Gbps QSFP28  
Data Center Access Switch

Model: USW-Leaf

QUICK START GUIDE

- Package Contents
- Hardware Overview
- Installation Requirements
- Hardware Installation
- Connecting Power
- Connecting SFP28
- Initial Setup via Bluetooth
- UniFi Controller Software
- Specifications
- Safety Notices
- Electrical Safety Information
- Limited Warranty
- Compliance
- FCC
- WEEE Compliance Statement
- Declaration of Conformity

## Package Contents



UniFi Switch Leaf



Rackmount Brackets  
(Qty. 2)



Bracket Screws  
(Qty. 8)



Mounting Screws  
(Qty. 4)



Cage Nuts  
(Qty. 4)



Long Slide Rail Brackets  
(Qty. 2)



Short Slide Rail Brackets  
(Qty. 2)



Slide Rail Bracket  
Screws (Qty. 4)



Rail Mounting  
Screws (Qty. 4)



Square Hole  
Washers  
(Qty. 4)



SFP28 (25G)  
DAC Cable, 1 m



Power Cords  
(Qty. 2)



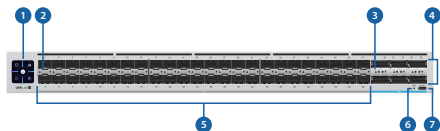
Rubber Feet  
(Qty. 4)

## System Requirements

- Linux, Mac OS X, or Microsoft Windows 7/8/10
- Java Runtime Environment 1.6 (1.8 or newer recommended)
- Web Browser: Google Chrome (Other browsers may have limited functionality.)
- UniFi Controller software v5.12.x (or newer), available at: [ui.com/download/unifi](http://ui.com/download/unifi)

**!** **IMPORTANT:** We strongly recommend using UPS backup and power regulation to prevent equipment damage due to stability issues with local AC power.

## Hardware Overview



1

### Touchscreen Display

State	Status
Bootup Animation	Initializing.
Steady White	Factory defaults, waiting for adoption.
Steady Blue	Successfully adopted by a network and working properly.
Location Animation	This indicates that you clicked <b>Locate</b> in the UniFi Controller software. The software will also display the location of the device on the map.

## Port LEDs

	State	Status
<b>2</b> SFP28 10G/25G Link/Activity LED (Ports 1 - 48)	Off	No Link
	White	Link Established at 10/25 Gbps Flashing Indicates Activity
<b>3</b> QSFP28 40G/100G Link/Activity LED (Ports 49 - 54)	Off	No Link
	White	Link Established at 40/100 Gbps Flashing Indicates Activity

## Ports

Port	Description
<b>4</b> QSFP28 40G/100G (Ports 49 - 54)	QSFP28 ports support 40/100 Gbps connections. These are the supported connection types: <ul style="list-style-type: none"><li>• <b>Optical transceivers</b> QSFP28 (40G/100G)</li><li>• <b>Direct Attach Cable (DAC)</b> QSFP28 (40G/100G)</li></ul>
<b>5</b> SFP28 10G/25G (Ports 1 - 48)	SFP28 ports support 10/25 Gbps connections. These are the supported connection types: <ul style="list-style-type: none"><li>• <b>Optical transceivers</b> SFP28 (10G/25G)</li><li>• <b>Direct Attach Cable (DAC)</b> SFP28 (10G/25G)</li></ul>

## Reset and Console

Button	Description
<b>6</b> Reset Button	<p>This button serves two functions for the UniFi Switch:</p> <ul style="list-style-type: none"><li>• <b>Restart</b> Press and release the <i>Reset</i> button quickly.</li><li>• <b>Restore to Factory Default Settings</b> Press and hold the <i>Reset</i> button for more than five seconds.</li></ul>
<b>7</b> USB Console Port	<p>The USB Type C console port is for CLI management, which is also available via SSH after initial network settings are configured via USB. For more information, go to: <a href="https://help.ui.com">help.ui.com</a></p> <p><b>Note:</b> You have two management options:</p> <ul style="list-style-type: none"><li>• UniFi Controller Software</li><li>• CLI</li></ul> <p>You cannot use both simultaneously; otherwise, changes may not be implemented properly.</p>

## Back Panel



Item	Description
<b>8</b> PSU (Ports 1 - 2)	<p>The 1+1 redundant power ports have dual power supplies built in. Connect the included <i>Power Cords</i> to the <i>Power</i> ports.</p>

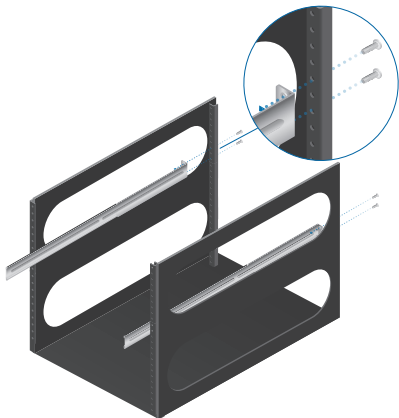
## Installation Requirements

- Phillips screwdriver
- Standard-sized, 19" wide, four-post rack with a minimum of 1U height available

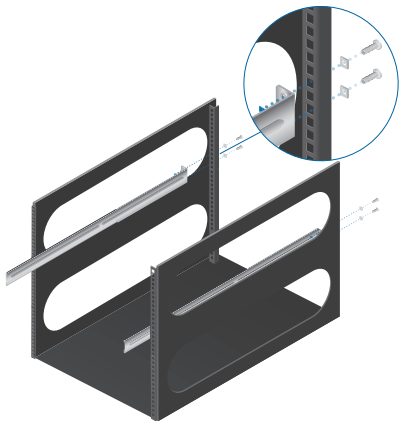
## Hardware Installation

The USW-Leaf has airflow ventilation from front to rear. Orient the rear panel towards the hot aisle.

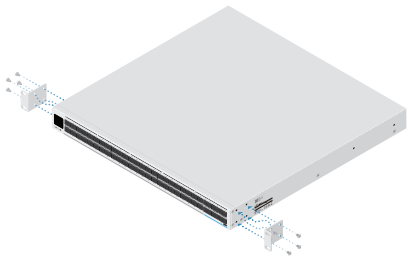
1.



OR

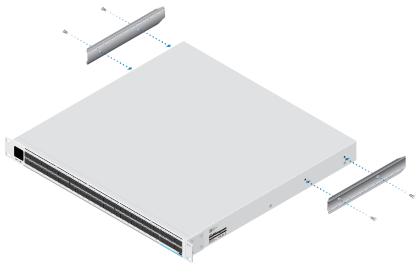


2.

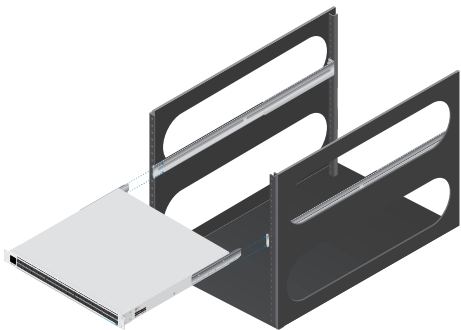




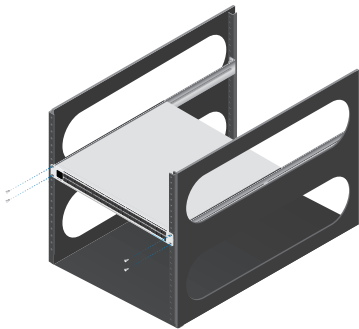
3.



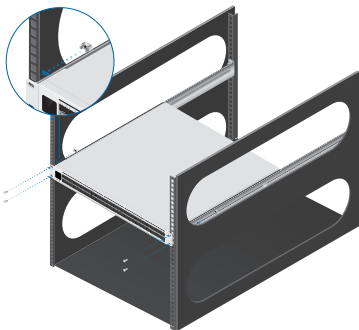
4.



5.

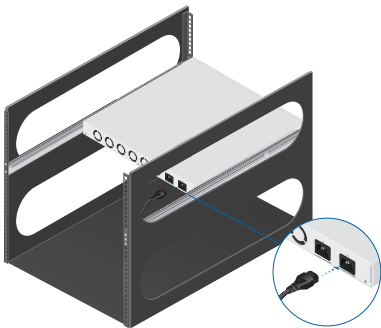


OR

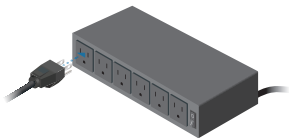


## Connecting Power

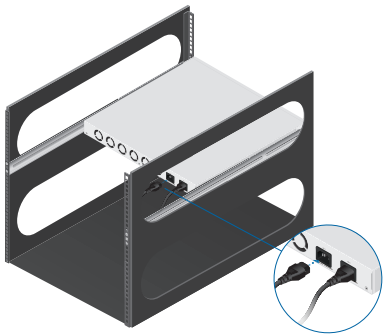
1.



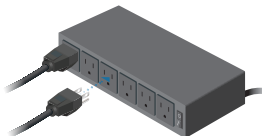
2.



3.

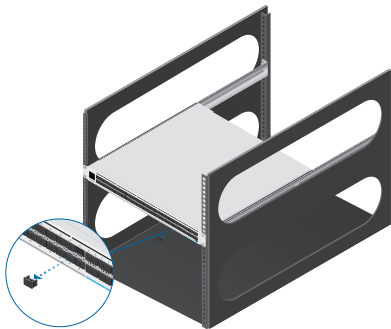


4.

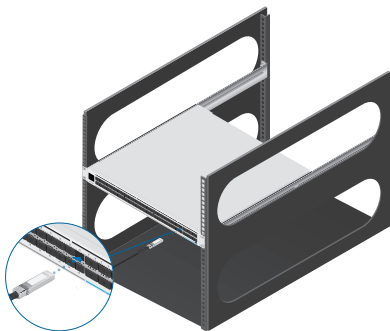


## Connecting SFP28

1.



2.

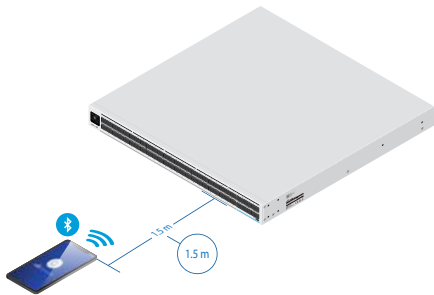


## Initial Setup via Bluetooth

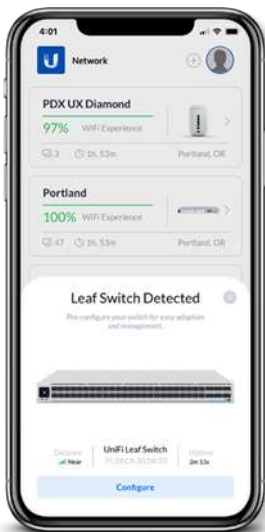
1.



2.



3.



4. Follow the on-screen instructions.

## UniFi Controller Software

The initial setup allows you to adopt the UniFi Switch later. After initial setup, there are two methods available to adopt the UniFi Switch via the UniFi Controller software:

- Over an untagged switch port by the default VLAN 1
- Over a tagged VLAN on a switch port, and you choose which VLAN is used for management



**Note:** You have two management options:

- UniFi Controller Software
- CLI

You cannot use both simultaneously; otherwise, changes may not be implemented properly.



## Specifications

USW-Leaf	
Dimensions	442.4 x 440 x 43.7 mm (17.42 x 17.32 x 1.72")
Weight	8.00 kg (17.64 lb)
With Rackmount Brackets	8.09 kg (17.84 lb)
Interfaces	
Networking	(48) 10/25G SFP28 Ethernet Ports (6) 40/100G QSFP28 Ethernet Ports
Management	(1) Bluetooth BLE (1) USB Type C Port Out-of-Band
Power Method	100-240VAC, 4A Max, 50/60 Hz, x 2
Power Supply	(2) AC/DC, Internal 350W
Supported Voltage Range	100 to 240VAC
Max. Power Consumption	
Excluding SFP28/QSFP28 Modules	175W
Including Full SFP28/QSFP28 Modules	350W
LEDs	
System	Status
SFP28 Data Ports	Link/Activity
QSFP28 Data Ports	Link/Activity
ESD/EMP Protection	Air: ± 12 kV, Contact: ± 12 kV
Shock and Vibration	ETSI300-019-1.4 Standard
Operating Temperature	-5 to 40° C (23 to 104° F)
Operating Humidity	10 to 90% Noncondensing
Certifications	CE, FCC, IC

## Safety Notices

1. Read, follow, and keep these instructions.
2. Heed all warnings.
3. Only use attachments/accessories specified by the manufacturer.



**WARNING:** Failure to provide proper ventilation may cause fire hazard. Keep at least 20 mm of clearance next to the ventilation holes for adequate airflow.



**WARNING:** To reduce the risk of fire or electric shock, do not expose this product to rain or moisture.



**WARNING:** Do not use this product in location that can be submerged by water.



**WARNING:** Avoid using this product during an electrical storm. There may be a remote risk of electric shock from lightning.

## Electrical Safety Information

1. Compliance is required with respect to voltage, frequency, and current requirements indicated on the manufacturer's label. Connection to a different power source than those specified may result in improper operation, damage to the equipment or pose a fire hazard if the limitations are not followed.
2. There are no operator serviceable parts inside this equipment. Service should be provided only by a qualified service technician.
3. This equipment is provided with a detachable power cord which has an integral safety ground wire intended for connection to a grounded safety outlet.
  - a. Do not substitute the power cord with one that is not the provided approved type. Never use an adapter plug to connect to a 2-wire outlet as this will defeat the continuity of the grounding wire.
  - b. The equipment requires the use of the ground wire as a part of the safety certification, modification or misuse can provide a shock hazard that can result in serious injury or death.
  - c. Contact a qualified electrician or the manufacturer if there are questions about the installation prior to connecting the equipment.
  - d. Protective earthing is provided by Listed AC adapter. Building installation shall provide appropriate short-circuit backup protection.
  - e. Protective bonding must be installed in accordance with local national wiring rules and regulations.

## Limited Warranty

[ui.com/support/warranty](http://ui.com/support/warranty)

The limited warranty requires the use of arbitration to resolve disputes on an individual basis, and, where applicable, specify arbitration instead of jury trials or class actions.

## Compliance

### FCC

Changes or modifications not expressly approved by the party responsible for compliance could void the user's authority to operate the equipment.

This device complies with Part 15 of the FCC Rules. Operation is subject to the following two conditions.

1. This device may not cause harmful interference, and
2. This device must accept any interference received, including interference that may cause undesired operation.

This equipment has been tested and found to comply with the limits for a Class A digital device, pursuant to Part 15 of the FCC Rules. These limits are designed to provide reasonable protection against harmful interference when the equipment is operated in a commercial environment. This equipment generates, uses, and can radiate radio frequency energy and, if not installed and used in accordance with the instruction manual, may cause harmful interference to radio communications. Operations of this equipment in a residential area is likely to cause harmful interference in which case the user will be required to correct the interference at his own expense.

This radio transmitter FCC ID: SWX-USWLEAF has been approved by FCC.

### ISED Canada

#### CAN ICES-3(A)/NMB-3(A)

This device complies with ISED Canada licence-exempt RSS standard(s). Operation is subject to the following two conditions:

1. This device may not cause interference, and
2. This device must accept any interference, including interference that may cause undesired operation of the device.

This radio transmitter IC: 6545A-USWLEAF has been approved by ISED Canada.

## CAN ICES-3(A)/NMB-3(A)

Le présent appareil est conforme aux CNR d'ISDE Canada applicables aux appareils radio exempts de licence. L'exploitation est autorisée aux deux conditions suivantes :

1. l'appareil ne doit pas produire de brouillage;
2. l'appareil doit accepter tout brouillage radioélectrique subi, même si le brouillage est susceptible d'en compromettre le fonctionnement.

Le présent émetteur radio IC : 6545A-USWLEAF a été approuvé par ISDE Canada.

## IMPORTANT NOTE:

### Radiation Exposure Statement:

- This equipment complies with radiation exposure limits set forth for an uncontrolled environment.
- This equipment should be installed and operated with minimum distance 20 cm between the radiator and your body.
- This transmitter must not be co-located or operating in conjunction with any other antenna or transmitter.

## AVIS IMPORTANT :

### Déclaration sur l'exposition aux rayonnements :

- Cet équipement est conforme aux limites prévues pour l'exposition aux rayonnements dans un environnement non contrôlé.
- Lors de l'installation et de la mise en fonctionnement de l'équipement, assurez-vous qu'il y ait une distance minimale de 20 cm entre l'élément rayonnant et vous.
- Cet émetteur ne doit être installé à proximité d'aucune autre antenne ni d'aucun autre émetteur, et ne doit être utilisé conjointement à aucun autre de ces appareils.

## Australia and New Zealand



Warning: This equipment is compliant with Class A of CISPR 32. In a residential environment this equipment may cause radio interference.

## Brazil



**Nota:** Este equipamento não tem direito à proteção contra interferência prejudicial e não pode causar interferência em sistemas devidamente autorizados.

## CE Marking

CE marking on this product represents the product is in compliance with all directives that are applicable to it.



**Note:** This device meets Max. TX power limit per ETSI regulations.

## WEEE Compliance Statement



### English

European Directive 2012/19/EU requires that the equipment bearing this symbol on the product and/or its packaging must not be disposed of with unsorted municipal waste. The symbol indicates that this product should be disposed of separately from regular household waste streams. It is your responsibility to dispose of this and other electric and electronic equipment via designated collection facilities appointed by the government or local authorities. Correct disposal and recycling will help prevent potential negative consequences to the environment and human health. For more detailed information about the disposal of your old equipment, please contact your local authorities, waste disposal service, or the shop where you purchased the product.

### Deutsch

Die Europäische Richtlinie 2012/19/EU verlangt, dass technische Ausrüstung, die direkt am Gerät und/oder an der Verpackung mit diesem Symbol versehen ist, nicht zusammen mit unsortiertem Gemeindeabfall entsorgt werden darf. Das Symbol weist darauf hin, dass das Produkt von regulärem Haushaltsmüll getrennt entsorgt werden sollte. Es liegt in Ihrer Verantwortung, dieses Gerät und andere elektrische und elektronische Geräte über die dafür zuständigen und von der Regierung oder örtlichen Behörden dazu bestimmten Sammelstellen zu entsorgen. Ordnungsgemäßes Entsorgen und Recyceln trägt dazu bei, potentielle negative Folgen für Umwelt und die menschliche Gesundheit zu vermeiden. Wenn Sie weitere Informationen zur Entsorgung Ihrer Altgeräte benötigen, wenden Sie sich bitte an die örtlichen Behörden oder städtischen Entsorgungsdienste oder an den Händler, bei dem Sie das Produkt erworben haben.

## Español

La Directiva 2012/19/UE exige que los equipos que lleven este símbolo en el propio aparato y/o en su embalaje no deben eliminarse junto con otros residuos urbanos no seleccionados. El símbolo indica que el producto en cuestión debe separarse de los residuos domésticos convencionales con vistas a su eliminación. Es responsabilidad suya desechar este y cualesquiera otros aparatos eléctricos y electrónicos a través de los puntos de recogida que ponen a su disposición el gobierno y las autoridades locales. Al desechar y reciclar correctamente estos aparatos estará contribuyendo a evitar posibles consecuencias negativas para el medio ambiente y la salud de las personas. Si desea obtener información más detallada sobre la eliminación segura de su aparato usado, consulte a las autoridades locales, al servicio de recogida y eliminación de residuos de su zona o pregunte en la tienda donde adquirió el producto.

## Français

La directive européenne 2012/19/UE exige que l'équipement sur lequel est apposé ce symbole sur le produit et/ou son emballage ne soit pas jeté avec les autres ordures ménagères. Ce symbole indique que le produit doit être éliminé dans un circuit distinct de celui pour les déchets des ménages. Il est de votre responsabilité de jeter ce matériel ainsi que tout autre matériel électrique ou électronique par les moyens de collecte indiqués par le gouvernement et les pouvoirs publics des collectivités territoriales. L'élimination et le recyclage en bonne et due forme ont pour but de lutter contre l'impact néfaste potentiel de ce type de produits sur l'environnement et la santé publique. Pour plus d'informations sur le mode d'élimination de votre ancien équipement, veuillez prendre contact avec les pouvoirs publics locaux, le service de traitement des déchets, ou l'endroit où vous avez acheté le produit.

## Italiano

La direttiva europea 2012/19/UE richiede che le apparecchiature contrassegnate con questo simbolo sul prodotto e/o sull'imballaggio non siano smaltite insieme ai rifiuti urbani non differenziati. Il simbolo indica che questo prodotto non deve essere smaltito insieme ai normali rifiuti domestici. È responsabilità del proprietario smaltire sia questi prodotti sia le altre apparecchiature elettriche ed elettroniche mediante le specifiche strutture di raccolta indicate dal governo o dagli enti pubblici locali. Il corretto smaltimento ed il riciclaggio aiuteranno a prevenire conseguenze potenzialmente negative per l'ambiente e per la salute dell'essere umano. Per ricevere informazioni più dettagliate circa lo smaltimento delle vecchie apparecchiature in Vostro possesso, Vi invitiamo a contattare gli enti pubblici di competenza, il servizio di smaltimento rifiuti o il negozio nel quale avete acquistato il prodotto.

# Declaration of Conformity

**Български [Bulgarian]** С настоящото UBIQUITI декларира, че това устройство USW-Leaf е в съответствие със съществените изисквания и други приложими разпоредби на Директиви 2014/53/ЕС, 2014/30/ЕС, 2014/35/ЕС. Цялостният текст на ЕС декларацията за съответствие може да се намери на следния интернет адрес: **ui.com/compliance**

**Hrvatski [Croatian]** UBIQUITI ovim putem izjavljuje da je ovaj uređaj USW-Leaf sukladan osnovnim zahtjevima i ostalim bitnim odredbama Direktiva 2014/53/EU, 2014/30/EU, 2014/35/EU. Cjeloviti tekst EU izjave o sukladnosti dostupan je na sljedećoj internetskoj adresi: **ui.com/compliance**

**Čeština [Czech]** UBIQUITI tímto prohlašuje, že toto USW-Leaf zařízení, je ve shodě se základními požadavky a dalšími příslušnými ustanoveními směrnic 2014/53/EU, 2014/30/EU, 2014/35/EU. Úplné znění EU prohlášení o shodě je k dispozici na této internetové adrese: **ui.com/compliance**

**Dansk [Danish]** Hermed, UBIQUITI, erklærer at denne USW-Leaf enhed, er i overensstemmelse med de væsentlige krav og øvrige relevante krav i direktiver 2014/53/EU, 2014/30/EU, 2014/35/EU. EU-overensstemmelseserklæringens fulde tekst kan findes på følgende internetadresse: **ui.com/compliance**

**Nederlands [Dutch]** Hierbij verklaart UBIQUITI, dat deze USW-Leaf apparaat, in overeenstemming is met de essentiële eisen en de andere relevante bepalingen van richtlijnen 2014/53/EU, 2014/30/EU, 2014/35/EU. De volledige tekst van de EU-conformiteitsverklaring kan worden geraadpleegd op het volgende internetadres: **ui.com/compliance**

**English** Hereby, UBIQUITI, declares that this USW-Leaf device, is in compliance with the essential requirements and other relevant provisions of Directives 2014/53/EU, 2014/30/EU, 2014/35/EU. The full text of the EU declaration of conformity is available at the following internet address: **ui.com/compliance**

**Eesti keel [Estonian]** Käesolevaga UBIQUITI kinnitab, et antud USW-Leaf seade, on vastavus olulistele nõuetele ja teistele asjakohastele sätetele direktiivide 2014/53/EL, 2014/30/EL, 2014/35/EL. ELi vastavusdeklaratsiooni täielik tekst on kättesaadav järgmisel internetiaadressil: **ui.com/compliance**

**Suomi [Finnish]** Täten UBIQUITI vakuuttaa, että tämä USW-Leaf laite, on yhdenmukainen olennaisten vaatimusten ja muiden sitä koskevien direktiivien 2014/53/EU, 2014/30/EU, 2014/35/EU. EU-vaatimustenmukaisuusvakuutuksen täysimittainen teksti on saatavilla seuraavassa internetosoitteessa: **ui.com/compliance**

**Français [French]** Par la présente UBIQUITI déclare que l'appareil USW-Leaf, est conforme aux exigences essentielles et aux autres dispositions pertinentes des directives 2014/53/UE, 2014/30/UE, 2014/35/UE. Le texte complet de la déclaration UE de conformité est disponible à l'adresse internet suivante: **ui.com/compliance**

**Deutsch [German]** Hiermit erklärt UBIQUITI, dass sich dieses USW-Leaf Gerät, in Übereinstimmung mit den grundlegenden Anforderungen und den anderen relevanten Vorschriften der Richtlinien 2014/53/EU, 2014/30/EU, 2014/35/EU befindet. Der vollständige Text der EU-Konformitätserklärung ist unter der folgenden Internetadresse verfügbar: **ui.com/compliance**

**Ελληνικά [Greek]** Δια του παρόντος, UBIQUITI, δηλώνει ότι αυτή η συσκευή USW-Leaf, είναι σε συμμόρφωση με τις βασικές απαιτήσεις και τις λοιπές σχετικές διατάξεις των οδηγιών 2014/53/ΕΕ, 2014/30/ΕΕ, 2014/35/ΕΕ. Το πλήρες κείμενο της δήλωσης συμμόρφωσης ΕΕ διατίθεται στην ακόλουθη ιστοσελίδα στο διαδίκτυο: **ui.com/compliance**

**Magyar [Hungarian]** Ezennel UBIQUITI kijelenti, hogy ez a USW-Leaf készülék megfelel az alapvető követelményeknek és más vonatkozó 2014/53/EU, 2014/30/EU, 2014/35/EU irányelvek rendelkezéseit. Az EU-megfelelőségi nyilatkozat teljes szövege elérhető a következő internetes címen: **ui.com/compliance**

**Íslenska [Icelandic]** Hér, UBIQUITI, því yfir að þetta USW-Leaf tæki er í samræmi við grunnkröfur og önnur viðeigandi ákvæði tilskipana 2014/53/ESB, 2014/30/ESB, 2014/35/ESB. Fullur texti ESB samræmisýrflýsing er að finna á eftirfarandi netfangi: **ui.com/compliance**

**Italiano [Italian]** Con la presente, UBIQUITI, dichiara che questo dispositivo USW-Leaf, è conforme ai requisiti essenziali ed alle altre disposizioni pertinenti delle direttive 2014/53/UE, 2014/30/UE, 2014/35/UE. Il testo completo della dichiarazione di conformità UE è disponibile al seguente indirizzo Internet: **ui.com/compliance**

**Latviešu valoda [Latvian]** Ar šo, UBIQUITI, deklarē, ka USW-Leaf ierīce, ir saskaņā ar būtiskajām prasībām un citiem attiecīgiem noteikumiem Direktīvās 2014/53/ES, 2014/30/ES, 2014/35/ES. Pilns ES atbilstības deklarācijas teksts ir pieejams šādā interneta vietnē: **ui.com/compliance**

**Lietuvių kalba [Lithuanian]** UBIQUITI deklaruoja, kad šis USW-Leaf įrenginys atitinka esminius reikalavimus ir kitas 2014/53/ES, 2014/30/ES, 2014/35/ES Direktyvų nuostatas. Visas ES atitikties deklaracijos tekstas prieinamas šiuo interneto adresu: **ui.com/compliance**

**Malti [Maltese]** Hawnhekk, UBIQUITI, tiddikjara li dan il-mezz USW-Leaf huwa konformi mar-rekwiżiti essenzjali u dispożizzjonijiet rilevanti oħrajn ta' Direttivi 2014/53/UE, 2014/30/UE, 2014/35/UE. Id-dikjarazzjoni tal-konformità tista' tiġi kkonsultata minn **ui.com/compliance**

**Norsk [Norwegian]** Herved UBIQUITI, erklærer at denne USW-Leaf enheten, er i samsvar med de grunnleggende kravene og andre relevante bestemmelser i direktivene 2014/53/EU, 2014/30/EU, 2014/35/EU. Den fulle teksten til EU-samsvarserklæringen er tilgjengelig på følgende internettsadresse: **ui.com/compliance**

**Polski [Polish]** Niniejszym, UBIQUITI, oświadczam, że urządzenie USW-Leaf, jest zgodny z zasadniczymi wymaganiami oraz pozostałymi stosownymi postanowieniami Dyrektyw 2014/53/UE, 2014/30/UE, 2014/35/UE. Pełny tekst deklaracji zgodności UE jest dostępny pod następującym adresem internetowym: **ui.com/compliance**

**Português [Portuguese]** UBIQUITI declara que este dispositivo USW-Leaf, está conforme com os requisitos essenciais e outras disposições das Directivas 2014/53/UE, 2014/30/UE, 2014/35/UE. O texto integral da declaração de conformidade está disponível no seguinte endereço de Internet: **ui.com/compliance**

**Română [Romanian]** Prin prezenta, UBIQUITI declară că acest dispozitiv USW-Leaf este în conformitate cu cerințele esențiale și alte prevederi relevante ale Directivelor 2014/53/UE, 2014/30/UE, 2014/35/UE. Textul integral al declarației UE de conformitate este disponibil la următoarea adresă internet: **ui.com/compliance**

**Slovenčina [Slovak]** Týmto UBIQUITI, prehlasuje, že toto USW-Leaf zariadenie, je v súlade so základnými požiadavkami a ďalšími relevantnými ustanoveniami smernice 2014/53/EÚ, 2014/30/EÚ, 2014/35/EÚ. Úplné EÚ vyhlásenie o zhode je k dispozícii na tejto internetovej adrese: **ui.com/compliance**

**Slovenščina [Slovenian]** Družba UBIQUITI izjavlja, da je naprava USW-Leaf v skladu z obveznimi zahtevami in drugimi ustreznimi določbami direktiv 2014/53/EU, 2014/30/EU in 2014/35/EU. Celotno besedilo izjave EU o skladnosti je na voljo na naslednjem spletnem naslovu: **ui.com/compliance**

**Español [Spanish]** Por medio de la presente UBIQUITI declara que este dispositivo USW-Leaf, cumple con los requisitos esenciales y cualesquiera otras disposiciones aplicables o exigibles de las Directivas 2014/53/UE, 2014/30/UE, 2014/35/UE. El texto completo de la declaración UE de conformidad está disponible en la dirección Internet siguiente: **ui.com/compliance**

**Svenska [Swedish]** Härmed UBIQUITI, intygar att denna USW-Leaf enhet är i överensstämmelse med de väsentliga egenskapskrav och övriga relevanta bestämmelser som framgår av direktiven 2014/53/EU, 2014/30/EU, 2014/35/EU. Den fullständiga texten till EU-försäkran om överensstämmelse finns på följande webbadress: **ui.com/compliance**





## Online Resources

Support [help.ui.com](https://help.ui.com)

Community [community.ui.com](https://community.ui.com)

Downloads [downloads.ui.com](https://downloads.ui.com)

Ubiquiti Inc.  
685 Third Avenue  
New York, NY 10017  
USA



©2019 Ubiquiti Inc. All rights reserved. Ubiquiti, Ubiquiti Networks, the Ubiquiti U logo, the Ubiquiti beam logo, and UniFi are trademarks or registered trademarks of Ubiquiti Inc. in the United States and in other countries. Apple and the Apple logo are trademarks of Apple Inc., registered in the U.S. and other countries. App Store is a service mark of Apple Inc., registered in the U.S. and other countries. Android, Google, Google Play, the Google Play logo and other marks are trademarks of Google LLC. All other trademarks are the property of their respective owners.

JL111819