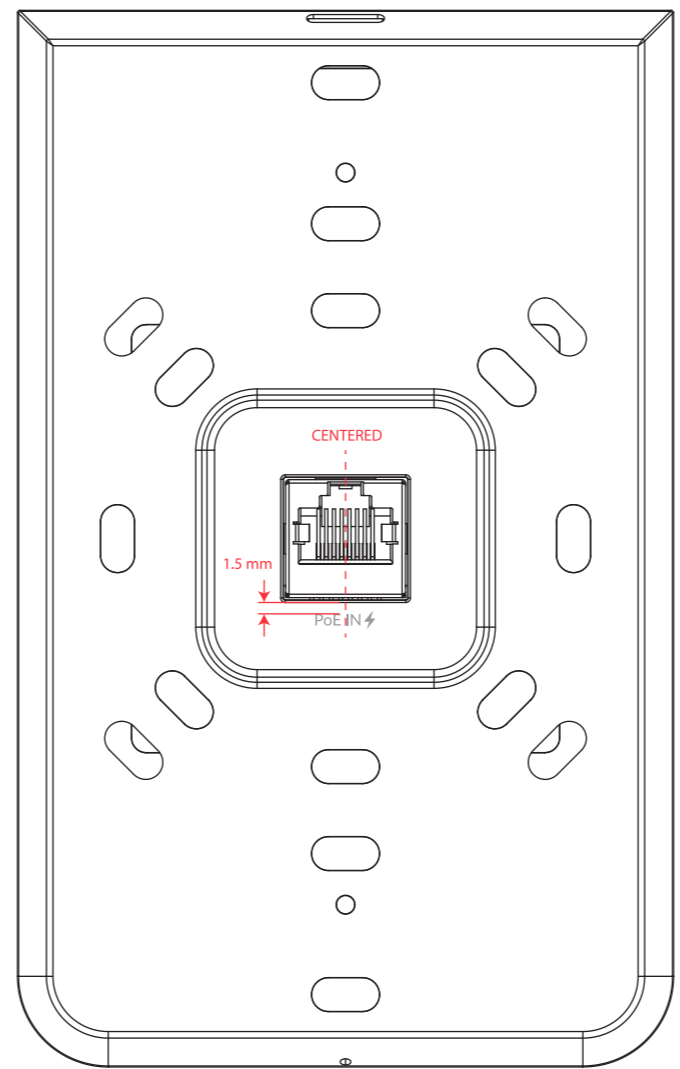
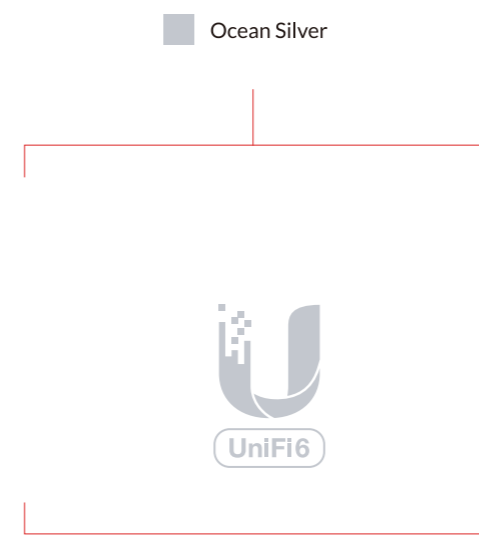
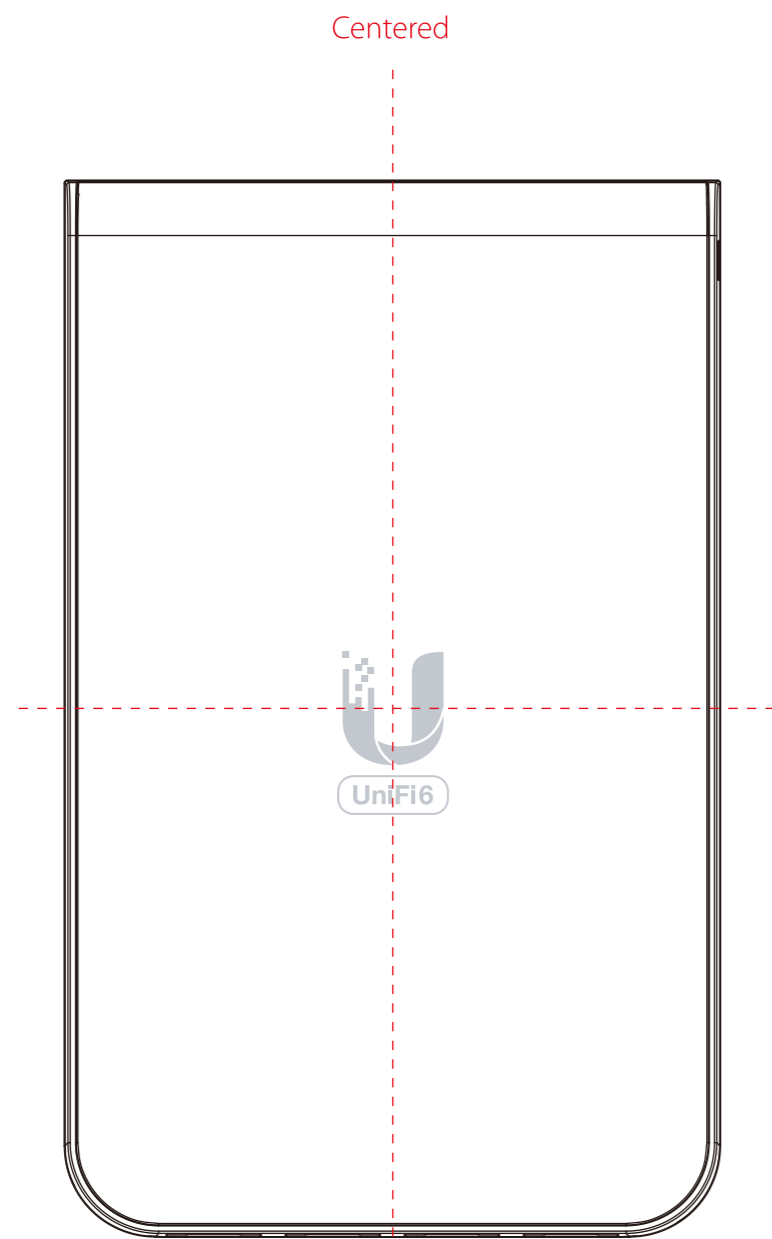


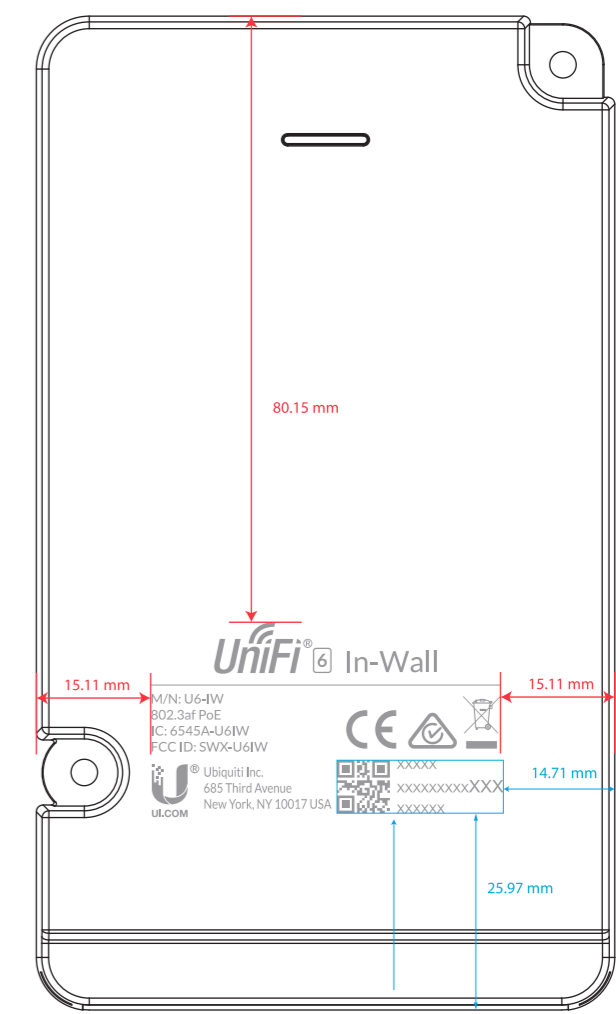
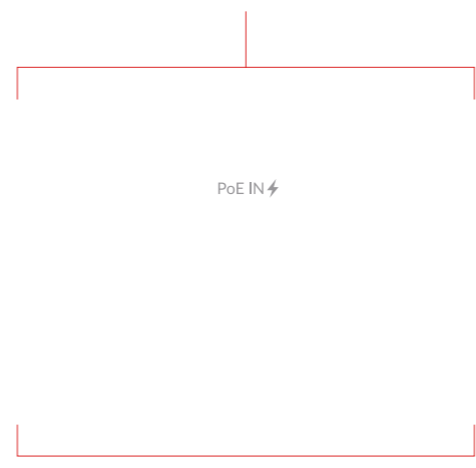
# U6-IW Device Artwork

General definition: All artwork position tolerance should be +/- 0.2mm for X-Y only (no rotation accepted)

	File Name: U6-IW Device Artwork	Arena Number: 300-00744	Color:	
	Date: 4/27/2020	Artwork P/N: 388-00504-03		
	Designer: ChienJu Chou	Revision Note: v04 - Updated product logo		
	ME/PM: Daniel Wu/Cindy Tasi			



■ Pantone Cool Gray 7C



Laser etching color reference  
Pantone Cool Gray 7C  
Laser etching area 7 x 22 mm  
QR code 7 x 7 mm  
Arial: 4.5 pt / 6.5pt

■ Pantone Cool Gray 7C

