



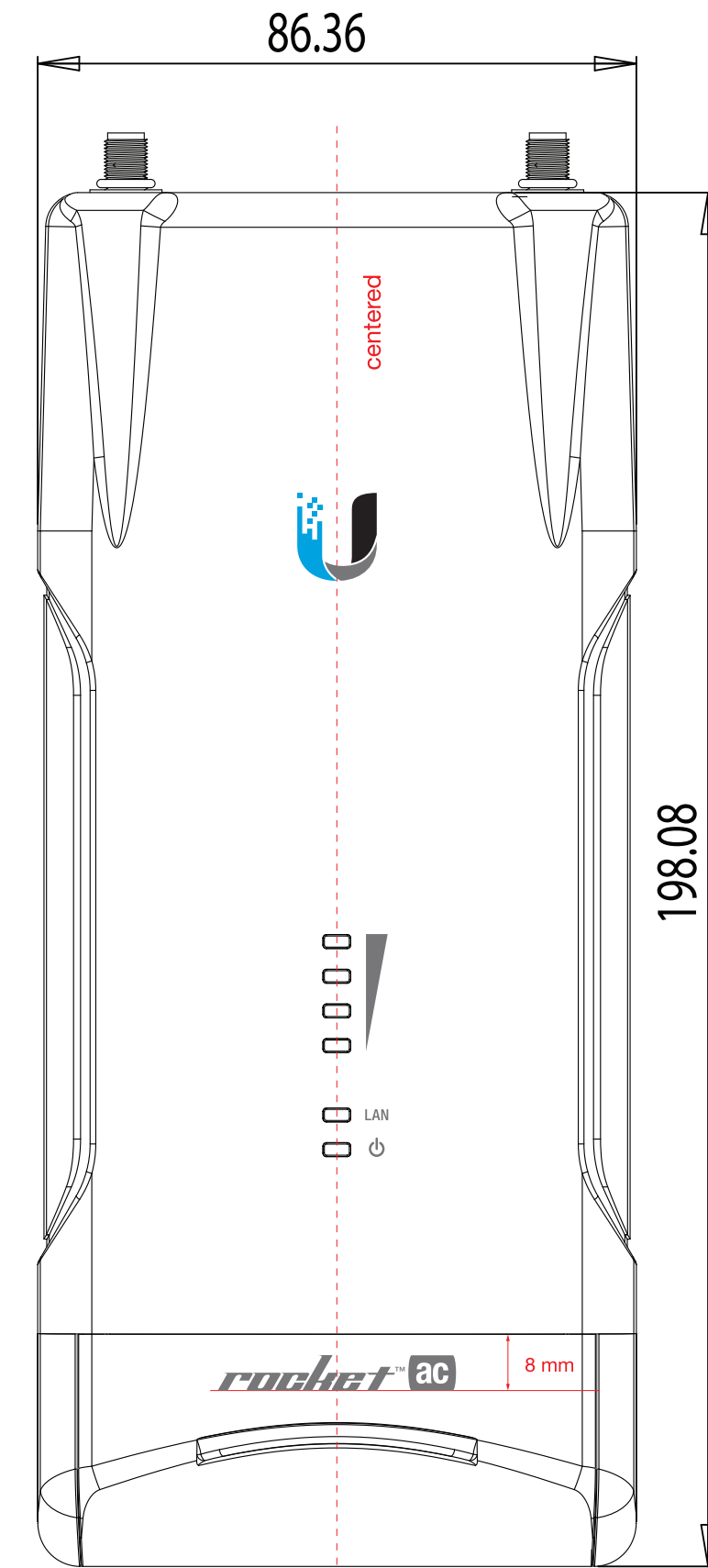
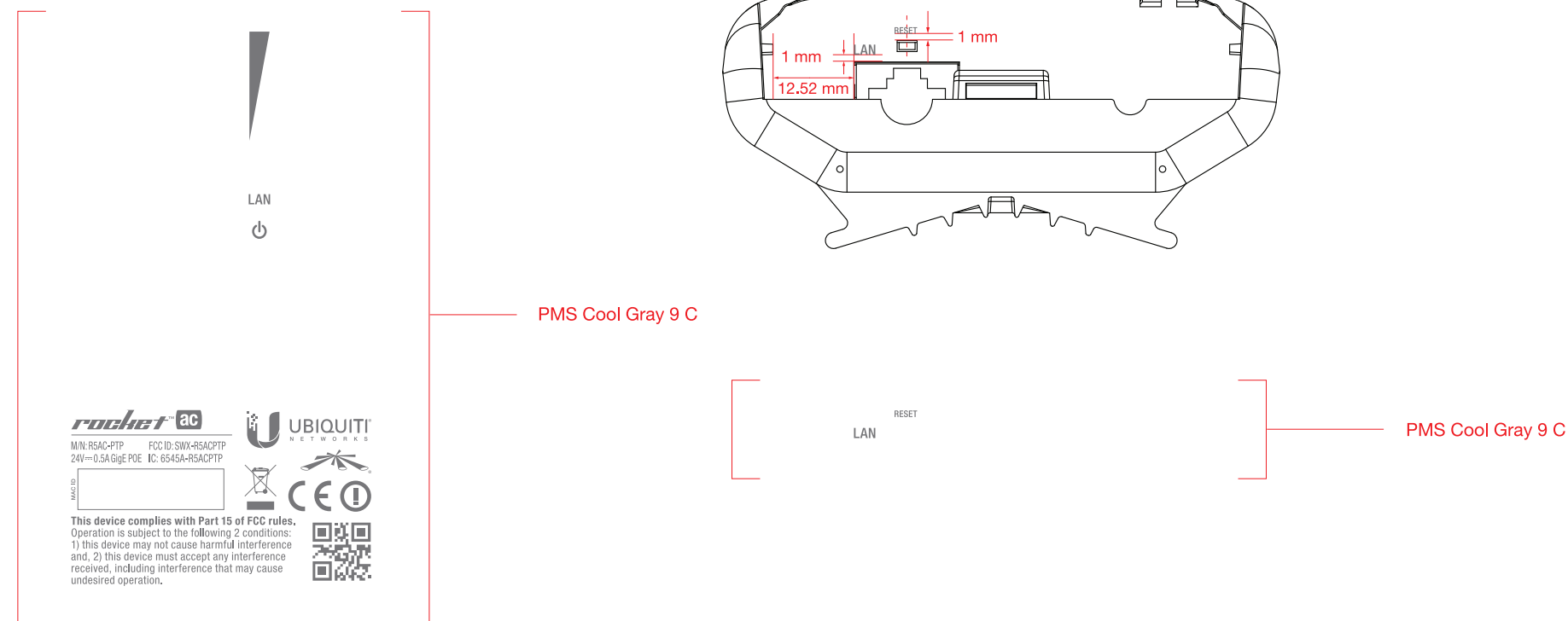
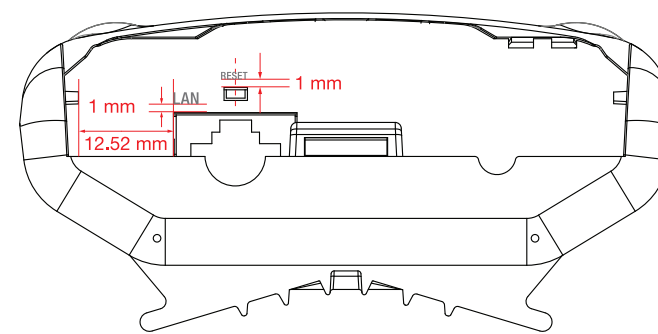
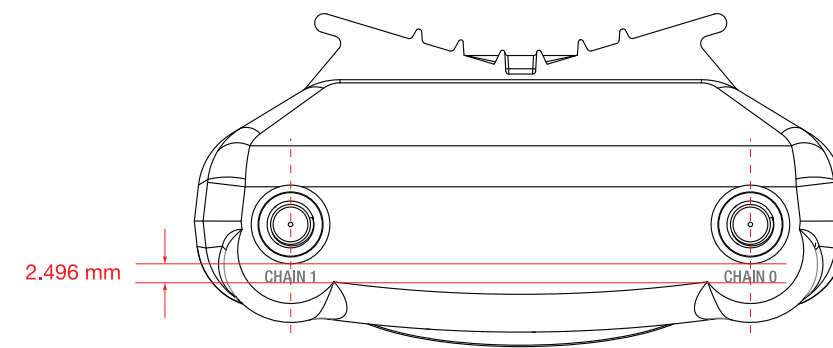
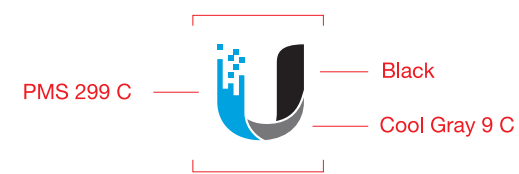
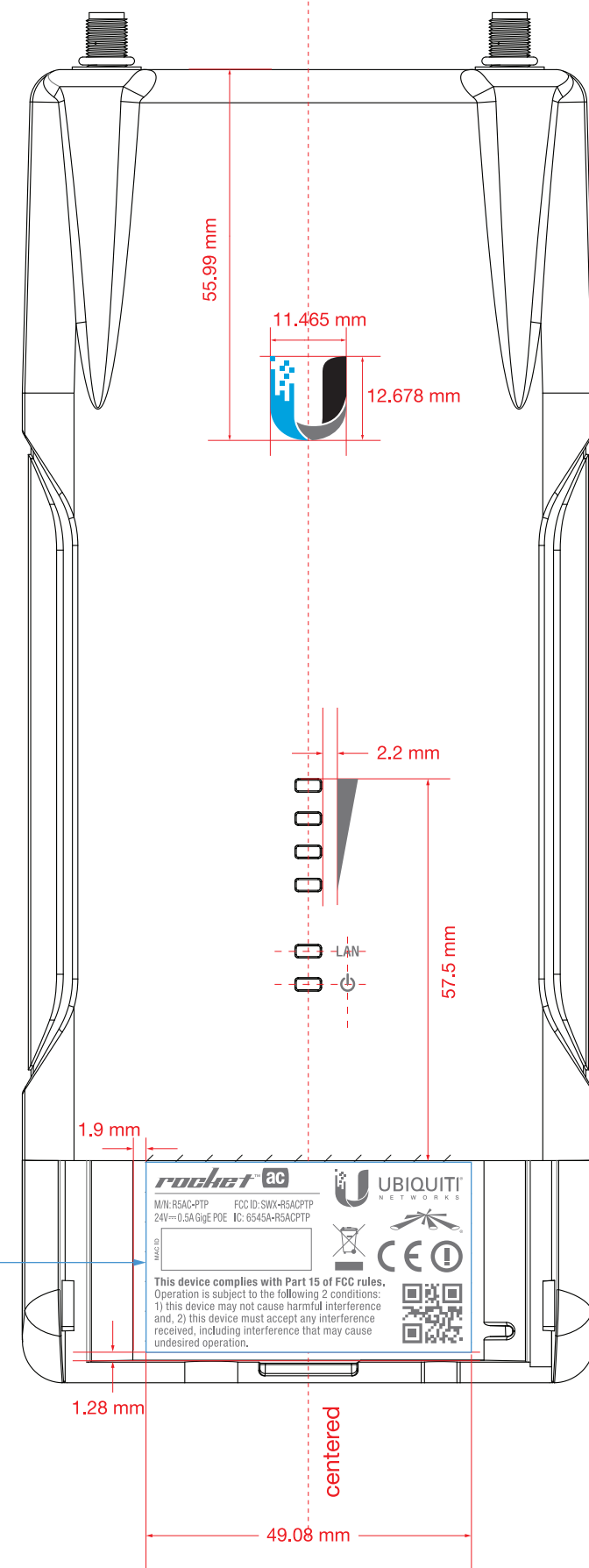


R5AC-PTP Silkscreen Artwork

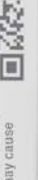
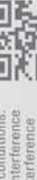
	File Name: R5AC-PTP Silkscreen Artwork v05			Colors:   
	Date: 11/20/14	ME: Andy Chu		
	Revision: v05- Change FCC and IC IDs	PM: Nicole Lee		
	Designer: Vivian Liu	Arena Number: 388-00017		

FRONT VIEW





MANUFACTURER: UBICUITY NETWORKS
MODEL: RS4C-PTP
24V---0.5A 60W PDE IC: 6545A-RS4CPTP



This device complies with Part 15 of FCC rules.
Operation is subject to the following 2 conditions:
1) This device may not cause harmful interference.
2) This device must accept any interference received, including interference that may cause undesired operation.

