



# DYNAMIC FREQUENCY SELECTION

## DFS Test Report

**APPLICANT** : Ubiquiti Networks, Inc.  
**EQUIPMENT** : PRISM Station AC  
**BRAND NAME** : UBIQUITI  
**MODEL NAME** : PS-5AC  
**FCC ID** : SWX-PS5AC  
**STANDARD** : FCC Part 15 Subpart E  
**CLASSIFICATION** : (NII) Unlicensed National Information Infrastructure

The product was received on Dec. 24, 2016 and completely tested on Apr. 29, 2017. We, SPORTON INTERNATIONAL INC., would like to declare that the tested sample has been evaluated in accordance with the procedures and shown to be compliant with the applicable technical standards.

The test results in this report apply exclusively to the tested model / sample. Without written approval of SPORTON INTERNATIONAL INC., the test report shall not be reproduced except in full.

Reviewed by: Joseph Lin / Supervisor

Approved by: Jones Tsai / Manager



**SPORTON INTERNATIONAL INC.**

No. 52, Hwa Ya 1<sup>st</sup> Rd., Hwa Ya Technology Park, Kwei-Shan Hsiang, Tao Yuan Hsien, Taiwan, R.O.C.

SPORTON INTERNATIONAL INC.

TEL : 886-3-327-3456

FAX : 886-3-328-4978

FCC ID : SWX-PS5AC

Page Number : 1 of 72

Report Issued Date : May 15, 2017

Report Version : Rev. 01



# TABLE OF CONTENTS

**REVISION HISTORY..... 3**

**SUMMARY OF DYNAMIC FREQUENCY SELECTION TEST..... 4**

**1 GENERAL DESCRIPTION ..... 5**

    1.1 Applicant ..... 5

    1.2 Manufacturer ..... 5

    1.3 Product Feature of Equipment Under Test ..... 5

    1.4 Modification of EUT ..... 5

    1.5 Testing Site ..... 5

    1.6 Applied Standards ..... 6

    1.7 Support Unit used in test configuration and system ..... 6

**2 REQUIREMENTS AND PARAMETERS FOR DFS TEST ..... 7**

    2.1 Applicability of DFS Requirements ..... 7

    2.2 DFS Detection Thresholds ..... 9

    2.3 DFS Response requirement values ..... 10

    2.4 Short Pulse Radar Test Waveforms ..... 11

    2.5 Long Pulse Radar Test Waveform ..... 13

    2.6 Frequency Hopping Radar Test Waveform ..... 15

**3 CALIBRATION SETUP AND DFS TEST RESULTS ..... 16**

    3.1 Calibration of Radar Waveform ..... 16

    3.2 U-NII Detection Bandwidth (7.8.1) ..... 19

    3.3 Channel Availability Check (7.8.2) ..... 36

    3.4 In-Service Monitoring: Channel Move Time, Channel Closing Transmission Time and  
    Non-Occupancy Period (7.8.3) ..... 42

    3.5 Statistical Performance Check (7.8.4) ..... 50

**4 LIST OF MEASURING EQUIPMENT ..... 72**

**APPENDIX A. SETUP PHOTOGRAPHS**



### REVISION HISTORY

REPORT NO.	VERSION	DESCRIPTION	ISSUED DATE
FZ6N2223-02A	Rev. 01	Initial issue of report	May 15, 2017



## SUMMARY OF DYNAMIC FREQUENCY SELECTION TEST

UNII	Description	Limit	Result
U-NII Band 2-A 5250-5350MHz	Channel Availability Check Time	> 60sec	Pass
	U-NII Detection Bandwidth	> 100% of the U-NII 99% transmission power bandwidth	Pass
	Statistical Performance Check	Type 1,2,3,4 >= 60% Type 1~4 and 5 >= 80% Type 6 >= 70%	Pass
	Channel Move Time	< 10 sec	Pass
	Channel Closing Transmission Time	< 200 ms + aggregate of 60 ms over remaining 10 s period	Pass
	Non-Occupancy Period Test	> 30 minutes	Pass
U-NII Band 2-C 5470-5725MHz	Channel Availability Check Time	> 60sec	Pass
	U-NII Detection Bandwidth	> 100% of the U-NII 99% transmission power bandwidth	Pass
	Statistical Performance Check	Type 1,2,3,4 >= 60% Type 1~4 and 5 >= 80% Type 6 >= 70%	Pass
	Channel Move Time	< 10 sec	Pass
	Channel Closing Transmission Time	< 200 ms + aggregate of 60 ms over remaining 10 s period	Pass
	Non-Occupancy Period Test	> 30 minutes	Pass



# 1 General Description

## 1.1 Applicant

Ubiquiti Networks, Inc.  
2580 Orchard Parkway San Jose, CA 95131

## 1.2 Manufacturer

Ubiquiti Networks, Inc.  
2580 Orchard Parkway San Jose, CA 95131

## 1.3 Product Feature of Equipment Under Test

Wi-Fi 2.4GHz 802.11b/g/n, Wi-Fi 5GHz 802.11a/n/ac, and GPS

Product Specification subjective to this standard	
Antenna Type	WLAN 2.4GHz: Internal Antenna WLAN 5GHz: Horn Antenna GPS: Patch Antenna

## 1.4 Modification of EUT

No modifications are made to the EUT during all test items.

## 1.5 Testing Site

Test Site	SPORTON INTERNATIONAL INC.
Test Site Location	No. 52, Hwa Ya 1 <sup>st</sup> Rd., Hwa Ya Technology Park, Kwei-Shan Hsiang, Tao Yuan Hsien, Taiwan, R.O.C. TEL: +886-3-3273456 / FAX: +886-3-3284978
Test Site No.	<b>Sporton Site No.</b>
	DFS02-HY



## 1.6 Applied Standards

According to the specifications of the manufacturer, the EUT must comply with the requirements of the following standards:

- FCC Part 15 Subpart E
- FCC KDB 905462 D02 UNII DFS Compliance Procedures New Rules v02
- FCC KDB 905462 D04 Operational Modes for DFS Testing New Rules v01

**Remark:** All test items were verified and recorded according to the standards and without any deviation during the test.

## 1.7 Support Unit used in test configuration and system

Item	Equipment	Trade Name	Model Name	FCC ID
1.	Notebook	Lenovo	Edge E335	PPD-AR5B95



## 2 Requirements and Parameters for DFS Test

### 2.1 Applicability of DFS Requirements

EUT is considered as a master device.

**Table 1: Applicability of DFS Requirements Prior to Use of a Channel**

Requirement	Operational Mode		
	Master	Client Without Radar Detection	Client With Radar Detection
Non-Occupancy Period	Yes	Not required	Yes
DFS Detection Threshold	Yes	Not required	Yes
Channel Availability Check Time	Yes	Not required	Not required
U-NII Detection Bandwidth	Yes	Not required	Yes

**Table 2: Applicability of DFS requirements during normal operation**

Requirement	Operational Mode		
	Master	Client Without Radar Detection	Client With Radar Detection
DFS Detection Threshold	Yes	Not required	Yes
Channel Closing Transmission Time	Yes	Yes	Yes
Channel Move Time	Yes	Yes	Yes
U-NII Detection Bandwidth	Yes	Not required	Yes
Client Beacon Test	N/A	Yes	Yes



Additional requirements for devices with multiple bandwidth modes	Operational Mode	
	Master or Client With Radar Detection	Client Without Radar Detection
U-NII Detection Bandwidth and Statistical Performance Check	All BW modes must be tested	Not required
Channel Move Time and Channel Closing Transmission Time	Test using widest BW mode available	Test using the widest BW mode available for the link
All other tests	Any single BW mode	Not required

**Note**  
Frequencies selected for statistical performance check (Section 7.8.4) should include several frequencies within the radar detection bandwidth and frequencies near the edge of the radar detection bandwidth. For 802.11 devices it is suggested to select frequencies in each of the bonded 20 MHz channels and the channel center frequency.





## 2.2 DFS Detection Thresholds

Table 3 below provides the DFS Detection Thresholds for Master Devices as well as Client Devices incorporating In-Service Monitoring.

**Table 3: DFS Detection Thresholds for Master Devices**

Maximum Transmit Power	Value (see notes 1, 2, and 3)
EIRP ≥ 200 milliwatt	-64 dBm
EIRP < 200 milliwatt and power spectral density < 10 dBm/MHz	-62 dBm
EIRP < 200 milliwatt that do not meet the power spectral density requirement	-64 dBm
<p><b>Note 1:</b> This is the level at the input of the receiver assuming a 0 dBi receive antenna.</p> <p><b>Note 2:</b> Throughout these test procedures an additional 1 dB has been added to the amplitude of the test transmission waveforms to account for variations in measurement equipment. This will ensure that the test signal is at or above the detection threshold level to trigger a DFS response.</p> <p><b>Note 3:</b> EIRP is based on the highest antenna gain. For MIMO devices refer to KDB Publication 662911 D01.</p>	

The radar *Detection Threshold*, lowest antenna gain is the parameter of Interference *radar DFS detection threshold*, The Interference *Detection Threshold* is the ( -64dBm) + (14) [dBi]+ 1 dB= -50 dBm.



## 2.3 DFS Response requirement values

Table 4 provides the response requirements for Master and Client Devices incorporating DFS.

**Table 4: DFS Response Requirement Values**

Parameter	Value
<i>Non-occupancy period</i>	Minimum 30 minutes
<i>Channel Availability Check Time</i>	60 seconds
<i>Channel Move Time</i>	10 seconds See Note 1.
<i>Channel Closing Transmission Time</i>	200 milliseconds + an aggregate of 60 milliseconds over remaining 10 second period. See Notes 1 and 2.
<i>U-NII Detection Bandwidth</i>	Minimum 100% of the 99% power bandwidth See Note 3.

**Note 1:** *Channel Move Time* and the *Channel Closing Transmission Time* should be performed with Radar Type 0. The measurement timing begins at the end of the Radar Type 0 burst.

**Note 2:** The *Channel Closing Transmission Time* is comprised of 200 milliseconds starting at the beginning of the *Channel Move Time* plus any additional intermittent control signals required to facilitate *Channel* changes (an aggregate of 60 milliseconds) during the remainder of the 10 second period. The aggregate duration of control signals will not count quiet periods in between transmissions.

**Note 3:** During the *U-NII Detection Bandwidth* detection test, radar type 0 is used and for each frequency step the minimum percentage of detection is 90%. Measurements are performed with no data traffic.



## 2.4 Short Pulse Radar Test Waveforms

Radar Type 0 was used in the evaluation of the Client device for the purpose of measuring the Channel Move Time and the Channel Closing Transmission Time.

Radar Type	Pulse Width (μsec)	PRI (μsec)	Number of Pulses	Minimum Percentage of Successful Detection	Minimum Trials
0	1	1428	18	See Note 1.	See Note 1.
1	1	Test A Test B	Roundup $\left\{ \left( \frac{1}{360} \right) \cdot \left( \frac{19 \cdot 10^6}{PRI_{\mu sec}} \right) \right\}$	60%	30
2	1-5	150-230	23-29	60%	30
3	6-10	200-500	16-18	60%	30
4	11-20	200-500	12-16	60%	30
Aggregate (Radar Types 1-4)				80%	120
<b>Note 1:</b> Short Pulse Radar Type 0 should be used for the detection bandwidth test, channel move time, and channel closing time tests.					

Test A: 15 unique PRI values randomly selected from the list of 23 PRI values in Table 5a

Test B: 15 unique PRI values randomly selected within the range of 518-3066 μsec, with a minimum increment of 1 μsec, excluding PRI values selected in Test A

A minimum of 30 unique waveforms are required for each of the Short Pulse Radar Types 2 through 4. If more than 30 waveforms are used for Short Pulse Radar Types 2 through 4, then each additional waveform must also be unique and not repeated from the previous waveforms.

If more than 30 waveforms are used for Short Pulse Radar Type 1, then each additional waveform is generated with Test B and must also be unique and not repeated from the previous waveforms in Tests A or B.

The aggregate is the average of the percentage of successful detections of short pulse radar types 1-4.



Table 5a - Pulse Repetition Intervals Values for Test A

Pulse Repetition Frequency Number (1 to 23)	Pulse Repetition Frequency (Pulses Per Second)	Pulse Repetition Interval (Microseconds)
1	1930.5	518
2	1858.7	538
3	1792.1	558
4	1730.1	578
5	1672.2	598
6	1618.1	618
7	1567.4	638
8	1519.8	658
9	1474.9	678
10	1432.7	698
11	1392.8	718
12	1355.0	738
13	1319.3	758
14	1285.3	778
15	1253.1	798
16	1222.5	818
17	1193.3	838
18	1165.5	858
19	1139.0	878
20	1113.6	898
21	1089.3	918
22	1066.1	938
23	326.2	3066



## 2.5 Long Pulse Radar Test Waveform

Radar Type	Pulse Width (µsec)	Chirp Width (MHz)	PRI (µsec)	Number of Pulses per Burst	Number of Bursts	Minimum Percentage of Successful Detection	Minimum Trials
5	50-100	5-20	1000-2000	1-3	8-20	80%	30

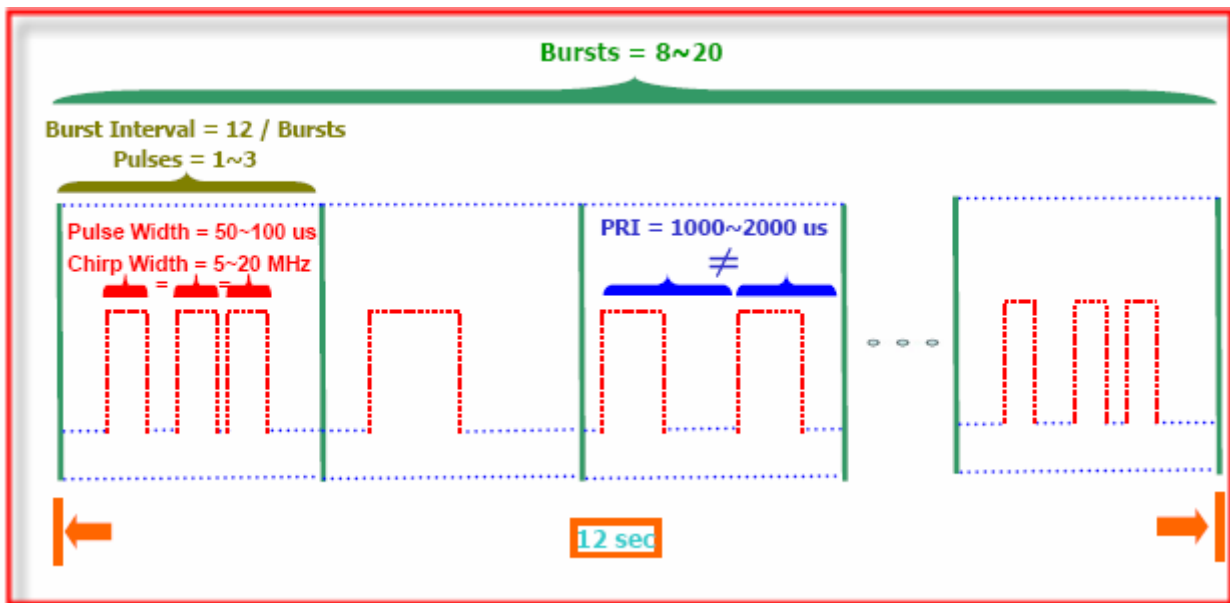
The parameters for this waveform are randomly chosen. Thirty unique waveforms are required for the Long Pulse radar test signal. If more than 30 waveforms are used for the Long Pulse radar test signal, then each additional waveform must also be unique and not repeated from the previous waveforms. Each waveform is defined as follows:

Note: The center frequency for each of the 30 trials of the Bin 5 radar shall be randomly selected within 80% of the Occupied Bandwidth.

- (1) The transmission period for the Long Pulse Radar test signal is 12 seconds.
- (2) There are a total of 8 to 20 Bursts in the 12 second period, with the number of Bursts being randomly chosen. This number is Burst\_Count.
- (3) Each Burst consists of 1 to 3 pulses, with the number of pulses being randomly chosen. Each Burst within the 12 second sequence may have a different number of pulses.
- (4) The pulse width is between 50 and 100 microseconds, with the pulse width being randomly chosen. Each pulse within a Burst will have the same pulse width. Pulses in different Bursts may have different pulse widths.
- (5) Each pulse has a linear frequency modulated chirp between 5 and 20 MHz, with the chirp width being randomly chosen. Each pulse within a **transmission period** will have the same chirp width. The chirp is centered on the pulse. For example, with a radar frequency of 5300 MHz and a 20 MHz chirped signal, the chirp starts at 5290 MHz and ends at 5310 MHz
- (6) If more than one pulse is present in a Burst, the time between the pulses will be between 1000 and 2000 microseconds, with the time being randomly chosen. If three pulses are present in a Burst, the time between the first and second pulses is chosen independently of the time between the second and third pulses.
- (7) The 12 second transmission period is divided into even intervals. The number of intervals is equal to Burst\_Count. Each interval is of length  $(12,000,000 / \text{Burst\_Count})$  microseconds. Each interval contains one Burst. The start time for the Burst, relative to the beginning of the interval, is between 1 and  $[(12,000,000 / \text{Burst\_Count}) - (\text{Total Burst Length}) + (\text{One Random PRI Interval})]$  microseconds, with the start time being randomly chosen. The step interval for the start time is 1 microsecond. The start time for each Burst is chosen independently.

**A representative example of a Long Pulse radar test waveform:**

- (1) The total test signal length is 12 seconds.
- (2) 8 Bursts are randomly generated for the Burst\_Count.
- (3) Burst 1 has 2 randomly generated pulses.
- (4) The pulse width (for both pulses) is randomly selected to be 75 microseconds.
- (5) The PRI is randomly selected to be at 1213 microseconds.
- (6) Bursts 2 through 8 are generated using steps 3 – 5.
- (7) Each Burst is contained in even intervals of 1,500,000 microseconds. The starting location for Pulse 1, Burst 1 is randomly generated (1 to 1,500,000 minus the total Burst 1 length + 1 random PRI interval) at the 325,001 microsecond step. Bursts 2 through 8 randomly fall in successive 1,500,000 microsecond intervals (i.e. Burst 2 falls in the 1,500,001 – 3,000,000 microsecond range).

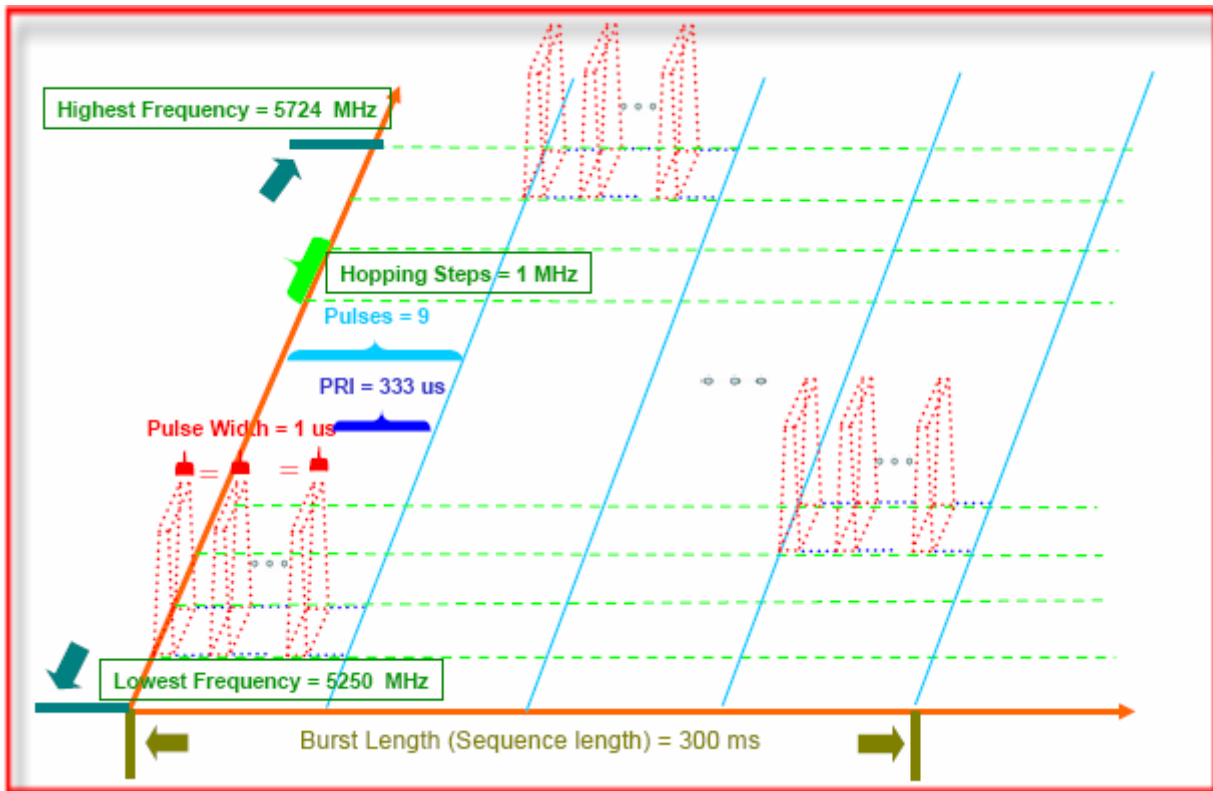


## 2.6 Frequency Hopping Radar Test Waveform

Radar Type	Pulse Width (μsec)	PRI (μsec)	Pulses per Hop	Hopping Rate (kHz)	Hopping Sequence Length (msec)	Minimum Percentage of Successful Detection	Minimum Trials
6	1	333	9	0.333	300	70%	30

For the Frequency Hopping Radar Type, the same Burst parameters are used for each waveform. The hopping sequence is different for each waveform and a 100-length segment is selected from the hopping sequence defined by the following algorithm:

The first frequency in a hopping sequence is selected randomly from the group of 475 integer frequencies from 5250 – 5724 MHz. Next, the frequency that was just chosen is removed from the group and a frequency is randomly selected from the remaining 474 frequencies in the group. This process continues until all 475 frequencies are chosen for the set. For selection of a random frequency, the frequencies remaining within the group are always treated as equally likely.



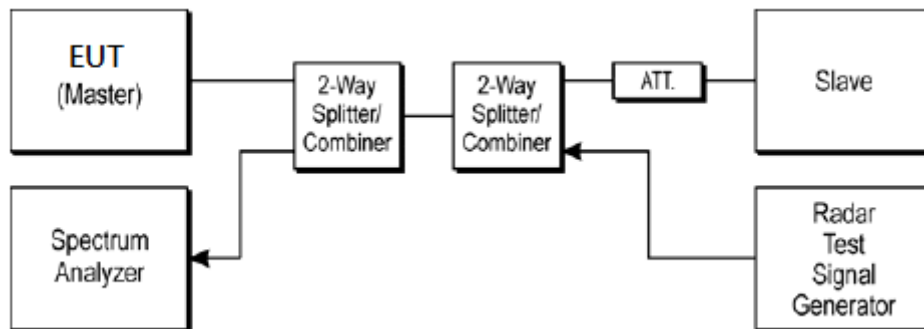
### 3 Calibration Setup and DFS Test Results

#### 3.1 Calibration of Radar Waveform

##### 3.1.1 Radar Waveform Calibration Procedure

The Interference Radar Detection Threshold Level is  $(-64) + (14) \text{ [dBi]} + 1 \text{ dB} = -50 \text{ dBm}$  that had been taken into account the output power range and antenna gain. The following equipment setup was used to calibrate the radiated Radar Waveform. A vector signal generator was utilized to establish the test signal level for radar type 0~6. During this process there were no transmissions by either the Master or Client Device. The spectrum analyzer was switched to the zero span (Time Domain) at the frequency of the Radar Waveform generator. Peak detection was used. The spectrum analyzer resolution bandwidth (RBW) and video bandwidth (VBW) were set to 3 MHz to measure the radar waveform. The vector signal generator amplitude was set so that the power level measured at the spectrum analyzer was  $(-64 \text{ dBm}) + (14) \text{ [dBi]} + 1 \text{ dB} = -50 \text{ dBm}$ . Capture the spectrum analyzer plots on radar waveform.

##### 3.1.2 Conducted Calibration Setup



##### 3.1.3 Calibration Deviation

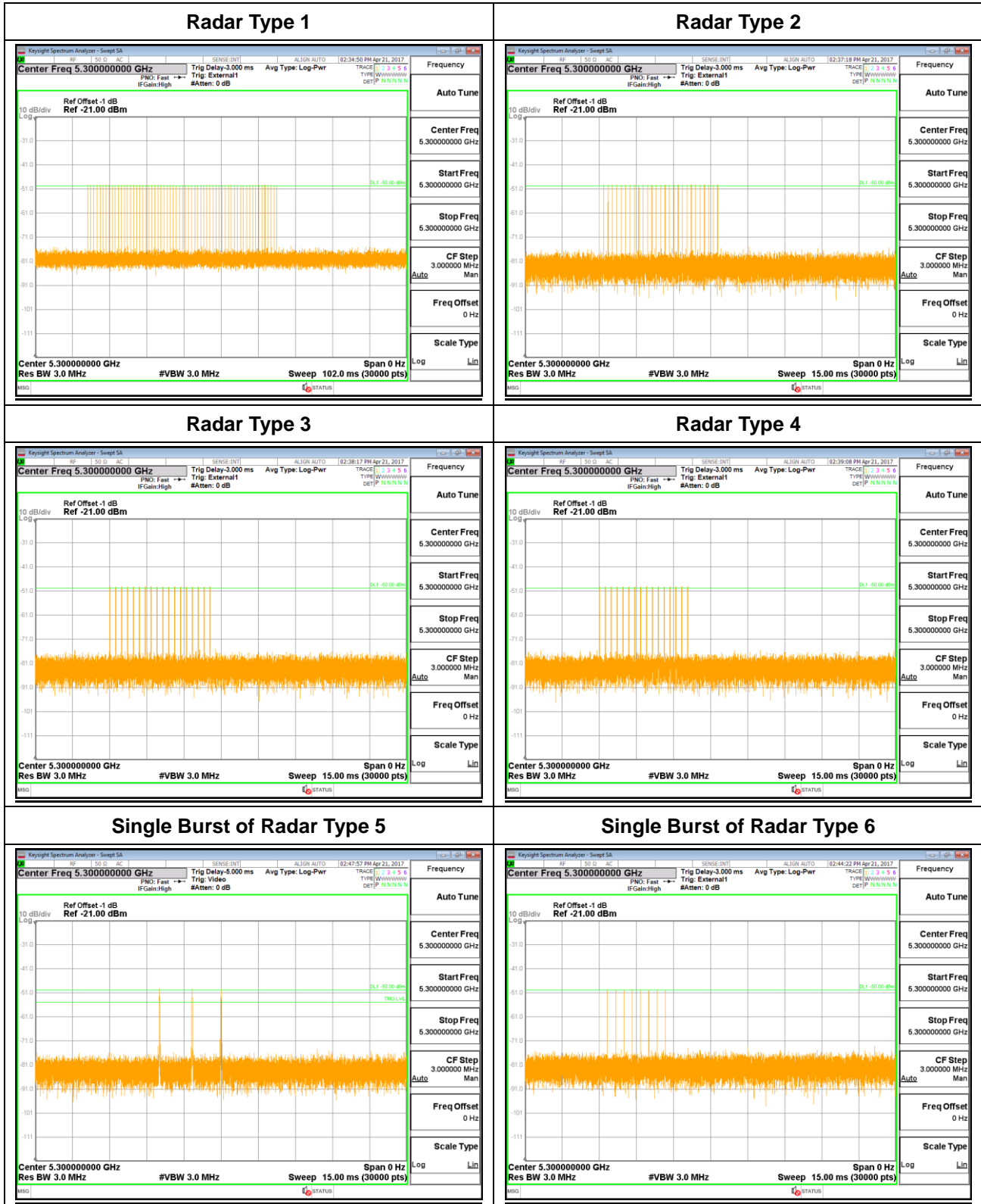
There is no deviation with the original standard.





### 3.1.4 Radar Waveform Calibration Result

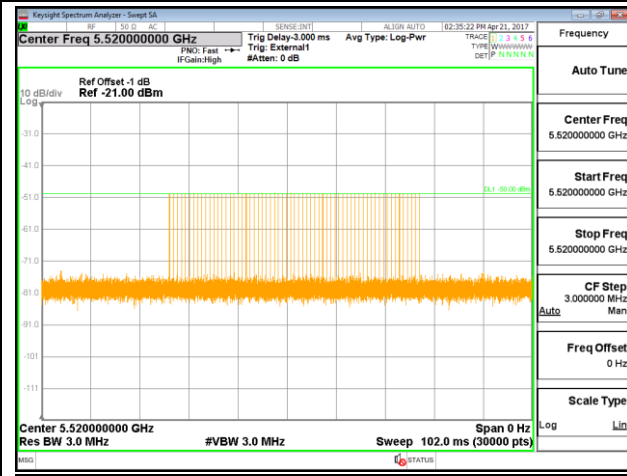
<10MHz/20MHz/30MHz/40MHz/50MHz/60MHz/80MHz 5300MHz>



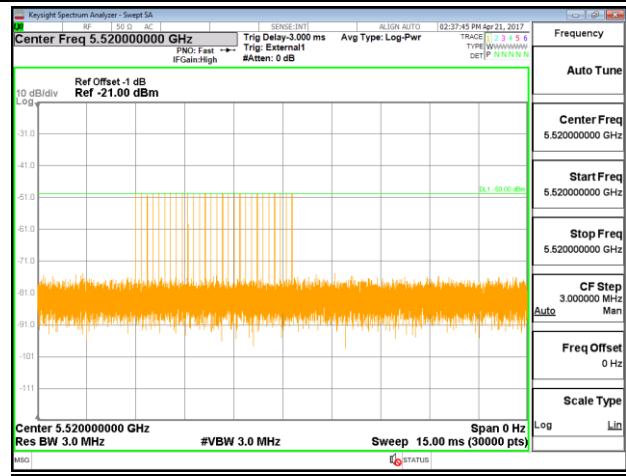


<10MHz/20MHz/30MHz/40MHz/50MHz/60MHz/80MHz 5520MHz>

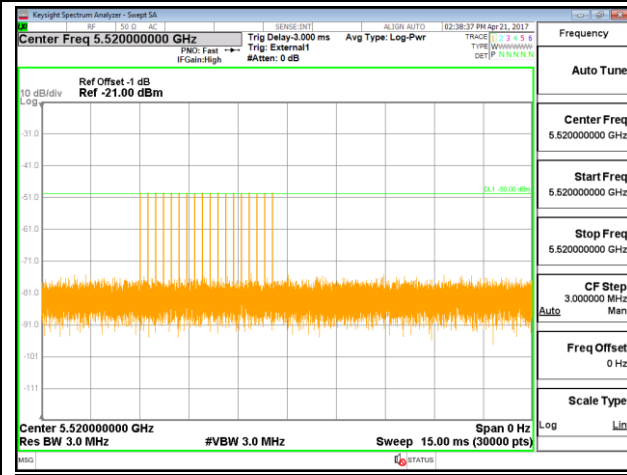
Radar Type 1



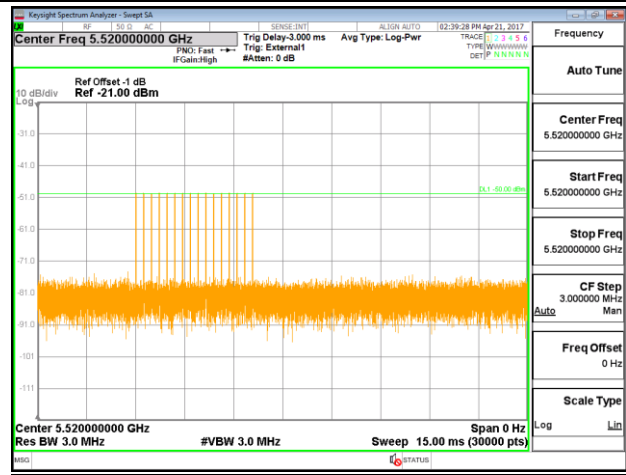
Radar Type 2



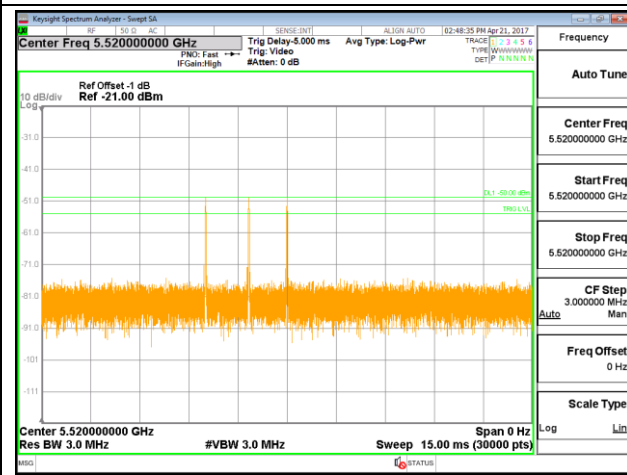
Radar Type 3



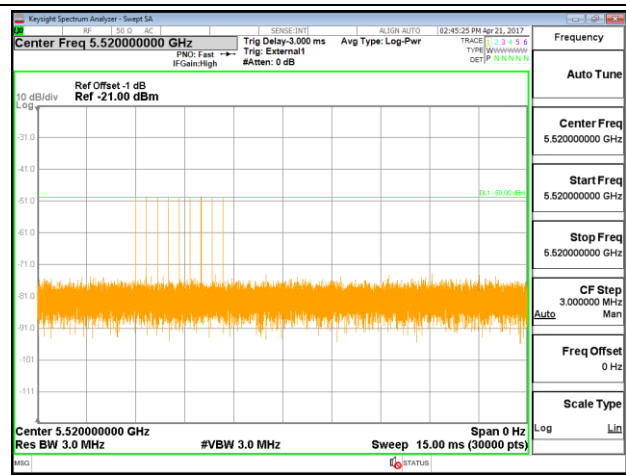
Radar Type 4



Single Burst of Radar Type 5



Single Burst of Radar Type 6





## 3.2 U-NII Detection Bandwidth (7.8.1)

### 3.2.1 Limit of U-NII Detection Bandwidth

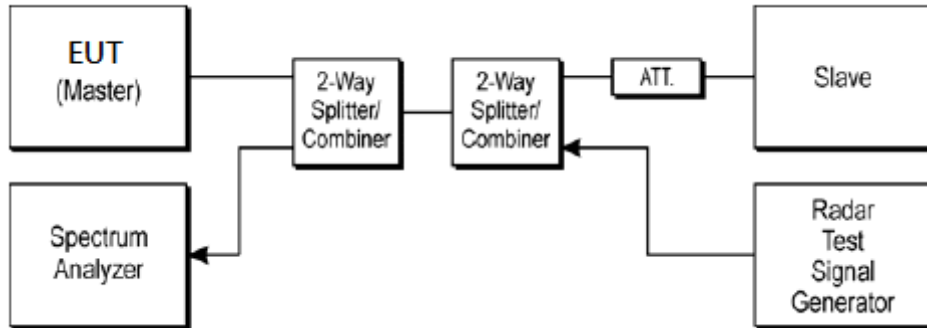
The U-NII Detection Bandwidth shall contain minimum 100% of the 99% power bandwidth.

During the U-NII Detection Bandwidth detection test, radar type 0 is used and for each frequency step the minimum percentage of detection is 90%. Measurements are performed with no data traffic.

### 3.2.2 Test Procedures

- (1) Adjust the equipment to produce a single burst of the Short Pulse Radar Type 0 at the center frequency of the EUT Operating Channel at the specified DFS Detection Threshold level.
- (2) Set the EUT up as a standalone device (no associated Client or Master, as appropriate) and no traffic. Frame based systems will be set to a talk/listen ratio of 0%/100% during this test.
- (3) Generate a single radar burst, and note the response of the EUT. Repeat for a minimum of 10 trials. The EUT must detect the Radar Waveform using the specified U-NII Detection Bandwidth criterion.
- (4) Starting at the center frequency of the EUT operating Channel, increase the radar frequency in 5 MHz steps, repeating the above test sequence, until the detection rate falls below the U-NII Detection Bandwidth criterion specified in report clause 2.3. Repeat this measurement in 1MHz steps at frequencies 5 MHz below where the detection rate begins to fall. Record the highest frequency (denote as  $F_H$ ) at which detection is greater than or equal to the U-NII Detection Bandwidth criterion. Recording the detection rate at frequencies above  $F_H$  is not required to demonstrate compliance.
- (5) Starting at the center frequency of the EUT operating Channel, decrease the radar frequency in 5 MHz steps, repeating the above test sequence, until the detection rate falls below the U-NII Detection Bandwidth criterion specified in report clause 2.3. Repeat this measurement in 1MHz steps at frequencies 5 MHz above where the detection rate begins to fall. Record the lowest frequency (denote as  $F_L$ ) at which detection is greater than or equal to the U-NII Detection Bandwidth criterion. Recording the detection rate at frequencies below  $F_L$  is not required to demonstrate compliance.
- (6) The U-NII Detection Bandwidth is calculated as follows:  
$$U\text{-NII Detection Bandwidth} = F_H - F_L$$

### 3.2.3 Test Setup



### 3.2.4 Test Deviation

There is no deviation with the original standard.



3.2.5 Result of U-NII Detection Bandwidth

<10MHz / 5300MHz >

Frequency (MHz)	Fc	Trial Number (Detection = Y, No Detection = N)										Rate (%)	F <sub>H</sub> /F <sub>L</sub>
		1	2	3	4	5	6	7	8	9	10		
5281	-19	N	N	N	N	N	N	N	N	N	N	0	
5282	-18	Y	Y	Y	Y	N	Y	Y	Y	Y	Y	90	F <sub>L</sub>
5283	-17	Y	Y	Y	Y	Y	Y	Y	N	Y	Y	90	
5284	-16	Y	Y	Y	Y	Y	Y	Y	Y	Y	Y	100	
5285	-15	Y	Y	Y	Y	Y	Y	Y	Y	Y	Y	100	
5286	-14	Y	Y	Y	Y	Y	Y	Y	Y	Y	Y	100	
5287	-13	Y	Y	Y	Y	Y	Y	Y	Y	Y	Y	100	
5288	-12	Y	Y	Y	Y	Y	Y	Y	Y	Y	Y	100	
5289	-11	Y	Y	Y	Y	Y	Y	Y	Y	Y	Y	100	
5290	-10	Y	Y	Y	Y	Y	Y	Y	Y	Y	Y	100	
5291	-9	Y	Y	Y	Y	Y	Y	Y	Y	Y	Y	100	
5292	-8	Y	Y	Y	Y	Y	Y	Y	Y	Y	Y	100	
5293	-7	Y	Y	Y	Y	Y	Y	Y	Y	Y	Y	100	
5294	-6	Y	Y	Y	Y	Y	Y	Y	Y	Y	Y	100	
5295	-5	Y	Y	Y	Y	Y	Y	Y	Y	Y	Y	100	
5296	-4	Y	Y	Y	Y	Y	Y	Y	Y	Y	Y	100	
5297	-3	Y	Y	Y	Y	Y	Y	Y	Y	Y	Y	100	
5298	-2	Y	Y	Y	Y	Y	Y	Y	Y	Y	Y	100	
5299	-1	Y	Y	Y	Y	Y	Y	Y	Y	Y	Y	100	



Frequency (MHz)	Fc	Trial Number (Detection = Y, No Detection = N)										Rate (%)	F <sub>H</sub> /F <sub>L</sub>
		1	2	3	4	5	6	7	8	9	10		
5300	0	Y	Y	Y	Y	Y	Y	Y	Y	Y	Y	100	
5301	+1	Y	Y	Y	Y	Y	Y	Y	Y	Y	Y	100	
5302	+2	Y	Y	Y	Y	Y	Y	Y	Y	Y	Y	100	
5303	+3	Y	Y	Y	Y	Y	Y	Y	Y	Y	Y	100	
5304	+4	Y	Y	Y	Y	Y	Y	Y	Y	Y	Y	100	
5305	+5	Y	Y	Y	Y	Y	Y	Y	Y	Y	Y	100	
5306	+6	Y	Y	Y	Y	Y	Y	Y	Y	Y	Y	100	
5307	+7	Y	Y	Y	Y	Y	Y	Y	Y	Y	Y	100	
5308	+8	Y	Y	Y	Y	Y	Y	Y	Y	Y	Y	100	
5309	+9	Y	Y	Y	Y	Y	Y	Y	Y	Y	Y	100	
5310	+10	Y	Y	Y	Y	Y	Y	Y	Y	Y	Y	100	
5311	+11	Y	Y	Y	Y	Y	Y	Y	Y	Y	Y	100	
5312	+12	Y	Y	Y	Y	Y	Y	Y	Y	Y	Y	100	
5313	+13	Y	Y	Y	Y	Y	Y	Y	Y	Y	Y	100	
5314	+14	Y	Y	Y	Y	Y	Y	Y	Y	Y	Y	100	
5315	+15	Y	Y	Y	Y	Y	Y	Y	Y	Y	Y	100	
5316	+16	Y	Y	Y	Y	Y	Y	Y	Y	Y	Y	100	
5317	+17	Y	Y	Y	Y	Y	Y	Y	Y	Y	Y	100	
5318	+18	Y	Y	N	Y	Y	Y	Y	Y	Y	Y	90	F <sub>H</sub>
5319	+19	Y	N	N	Y	N	N	N	N	Y	N	30	

Detection Bandwidth = F<sub>H</sub> – F<sub>L</sub> = 5318 – 5282 = 36 MHz

EUT 99% Bandwidth = 9.8477 MHz (Refer to channel 60)



<20MHz / 5300MHz >

Frequency (MHz)	Fc	Trial Number (Detection = V, No Detection = N)										Rate (%)	F <sub>H</sub> /F <sub>L</sub>	
		1	2	3	4	5	6	7	8	9	10			
5289	-11	N	N	N	N	N	N	N	N	N	N	N	0	
5290	-10	Y	Y	Y	N	Y	Y	Y	Y	Y	Y	Y	90	F <sub>L</sub>
5291	-9	Y	Y	Y	Y	Y	Y	Y	Y	Y	Y	Y	100	
5292	-8	Y	Y	Y	Y	Y	Y	Y	Y	Y	Y	Y	100	
5293	-7	Y	Y	Y	Y	Y	Y	Y	Y	Y	Y	Y	100	
5294	-6	Y	Y	Y	Y	Y	Y	Y	Y	Y	Y	Y	100	
5295	-5	Y	Y	Y	Y	Y	Y	Y	Y	Y	Y	Y	100	
5300	0	Y	Y	Y	Y	Y	Y	Y	Y	Y	Y	Y	100	
5305	+5	Y	Y	Y	Y	Y	Y	Y	Y	Y	Y	Y	100	
5306	+6	Y	Y	Y	Y	Y	Y	Y	Y	Y	Y	Y	100	
5307	+7	Y	Y	Y	Y	Y	Y	Y	Y	Y	Y	Y	100	
5308	+8	Y	Y	Y	Y	Y	Y	Y	Y	Y	Y	Y	100	
5309	+9	Y	Y	Y	Y	Y	Y	Y	Y	Y	Y	Y	100	
5310	+10	Y	Y	Y	Y	Y	Y	Y	Y	Y	Y	Y	100	F <sub>H</sub>
5311	+11	N	N	N	N	N	N	N	N	N	N	N	0	

Detection Bandwidth = F<sub>H</sub> – F<sub>L</sub> = 5310 – 5290 = 20 MHz

EUT 99% Bandwidth = 18.439 MHz (Refer to channel 60)



<30MHz /5300MHz >

Frequency (MHz)	Fc	Trial Number (Detection = V, No Detection = N)										Rate (%)	F <sub>H</sub> /F <sub>L</sub>
		1	2	3	4	5	6	7	8	9	10		
5284	-16	N	N	N	N	N	N	N	N	N	N	0	
5285	-15	Y	Y	Y	Y	Y	Y	Y	Y	Y	Y	100	F <sub>L</sub>
5286	-14	Y	Y	Y	Y	Y	Y	Y	Y	Y	Y	100	
5287	-13	Y	Y	Y	Y	Y	Y	Y	Y	Y	Y	100	
5288	-12	Y	Y	Y	Y	Y	Y	Y	Y	Y	Y	100	
5289	-11	Y	Y	Y	Y	Y	Y	Y	Y	Y	Y	100	
5290	-10	Y	Y	Y	Y	Y	Y	Y	Y	Y	Y	100	
5295	-5	N	Y	Y	Y	Y	Y	Y	Y	Y	Y	90	
5300	0	Y	Y	Y	Y	Y	Y	Y	Y	Y	Y	100	
5305	+5	Y	Y	N	Y	Y	Y	Y	Y	Y	Y	90	
5310	+10	Y	Y	Y	Y	Y	Y	Y	Y	Y	Y	100	
5311	+11	Y	Y	Y	Y	Y	Y	Y	Y	Y	Y	100	
5312	+12	Y	Y	Y	Y	Y	Y	Y	Y	Y	Y	100	
5313	+13	Y	Y	Y	Y	Y	Y	Y	Y	Y	Y	100	
5314	+14	Y	Y	Y	Y	Y	Y	Y	Y	Y	Y	100	
5315	+15	Y	Y	Y	Y	Y	Y	Y	Y	Y	Y	100	F <sub>H</sub>
5316	+16	N	N	N	N	N	N	N	N	N	N	0	

Detection Bandwidth = F<sub>H</sub> – F<sub>L</sub>=5315 – 5285 = 30 MHz

EUT 99% Bandwidth = 26.365MHz (Refer to channel 60)





<40MHz /5300MHz >

Frequency (MHz)	Fc	Trial Number (Detection = V, No Detection = N)										Rate (%)	F <sub>H</sub> /F <sub>L</sub>
		1	2	3	4	5	6	7	8	9	10		
5279	-21	N	N	N	N	N	N	N	N	N	N	0	
5280	-20	Y	Y	Y	Y	Y	Y	Y	Y	Y	Y	100	F <sub>L</sub>
5281	-19	Y	Y	Y	Y	Y	Y	Y	Y	Y	Y	100	
5282	-18	Y	Y	Y	Y	Y	Y	Y	Y	Y	Y	100	
5283	-17	Y	Y	Y	Y	Y	Y	Y	Y	Y	Y	100	
5284	-16	Y	Y	Y	Y	Y	Y	Y	Y	Y	Y	100	
5285	-15	Y	Y	Y	Y	Y	Y	Y	Y	Y	Y	100	
5290	-10	Y	Y	Y	Y	Y	Y	Y	Y	Y	Y	100	
5295	-5	Y	Y	Y	Y	Y	Y	Y	Y	Y	Y	100	
5300	0	Y	Y	Y	Y	Y	Y	Y	Y	Y	Y	100	
5305	+5	Y	Y	Y	Y	Y	Y	Y	Y	Y	Y	100	
5310	+10	Y	Y	Y	Y	Y	Y	Y	Y	Y	Y	100	
5315	+15	Y	Y	Y	Y	Y	Y	Y	Y	Y	Y	100	
5316	+16	Y	Y	Y	Y	Y	Y	Y	Y	Y	Y	100	
5317	+17	Y	Y	Y	Y	Y	Y	Y	Y	Y	Y	100	
5318	+18	Y	Y	Y	Y	Y	Y	Y	Y	Y	Y	100	
5319	+19	Y	Y	Y	Y	Y	Y	Y	Y	Y	Y	100	F <sub>H</sub>
5320	+20	Y	N	N	Y	N	Y	N	N	Y	Y	50	

Detection Bandwidth = F<sub>H</sub> – F<sub>L</sub> = 5319 – 5280 = 39 MHz

EUT 99% Bandwidth = 37.125 MHz (Refer to channel 60)



<50MHz / 5300MHz >

Frequency (MHz)	Fc	Trial Number (Detection = V, No Detection = N)										Rate (%)	F <sub>H</sub> /F <sub>L</sub>
		1	2	3	4	5	6	7	8	9	10		
5275	-25	N	N	N	N	N	N	N	N	N	N	0	
5276	-24	Y	Y	Y	Y	Y	Y	Y	Y	Y	Y	100	F <sub>L</sub>
5277	-23	Y	N	Y	Y	Y	Y	Y	Y	Y	Y	90	
5278	-22	Y	Y	Y	Y	Y	Y	Y	Y	Y	Y	100	
5279	-21	Y	Y	Y	N	Y	Y	Y	Y	Y	Y	90	
5280	-20	Y	Y	Y	Y	Y	Y	Y	Y	Y	Y	100	
5285	-15	Y	Y	Y	Y	Y	Y	Y	Y	Y	Y	100	
5290	-10	Y	Y	Y	Y	Y	Y	Y	Y	Y	Y	100	
5295	-5	Y	Y	Y	Y	Y	Y	Y	Y	Y	Y	100	
5300	0	Y	Y	Y	Y	Y	Y	Y	Y	Y	Y	100	
5305	+5	Y	Y	Y	Y	Y	Y	Y	Y	Y	Y	100	
5310	+10	Y	Y	Y	Y	Y	Y	Y	Y	Y	Y	100	
5315	+15	Y	Y	Y	Y	Y	Y	Y	Y	Y	Y	100	
5320	+20	Y	Y	Y	Y	Y	N	Y	Y	Y	Y	90	
5321	+21	Y	Y	Y	Y	Y	Y	Y	Y	Y	Y	100	
5322	+22	Y	Y	Y	Y	Y	Y	Y	N	Y	Y	90	
5323	+23	Y	Y	Y	Y	Y	Y	Y	Y	Y	Y	100	
5324	+24	Y	Y	Y	Y	Y	Y	Y	Y	Y	Y	100	F <sub>H</sub>
5325	+25	N	N	N	N	N	N	N	N	N	N	0	

Detection Bandwidth = F<sub>H</sub> – F<sub>L</sub> = 5324 – 5276 = 48 MHz

EUT 99% Bandwidth = 44.629 MHz (Refer to channel 60)



<60MHz / 5300MHz >

Frequency (MHz)	Fc	Trial Number (Detection = V, No Detection = N)										Rate (%)	F <sub>H</sub> /F <sub>L</sub>
		1	2	3	4	5	6	7	8	9	10		
5270	-30	N	N	N	N	N	N	N	N	N	N	0	
5271	-29	Y	Y	Y	Y	Y	Y	Y	Y	Y	Y	100	F <sub>L</sub>
5272	-28	Y	Y	Y	Y	Y	Y	Y	Y	Y	Y	100	
5273	-27	Y	Y	Y	Y	Y	Y	Y	Y	Y	Y	100	
5274	-26	Y	Y	Y	Y	Y	Y	Y	Y	Y	Y	100	
5275	-25	Y	Y	Y	Y	Y	Y	Y	Y	Y	Y	100	
5280	-20	Y	Y	Y	Y	Y	N	Y	Y	Y	Y	90	
5285	-15	Y	Y	N	Y	Y	Y	Y	Y	Y	Y	90	
5290	-10	Y	Y	Y	Y	Y	Y	Y	Y	N	Y	90	
5295	-5	Y	Y	Y	Y	Y	Y	Y	Y	Y	Y	100	
5300	0	Y	Y	Y	Y	Y	Y	Y	Y	Y	Y	100	
5305	+5	Y	Y	Y	Y	Y	Y	Y	Y	Y	Y	100	
5310	+10	Y	Y	Y	Y	Y	Y	Y	Y	Y	Y	100	
5315	+15	Y	Y	Y	Y	Y	Y	Y	Y	Y	Y	100	
5320	+20	Y	Y	Y	Y	Y	Y	Y	Y	Y	Y	100	
5325	+25	Y	Y	Y	Y	Y	Y	Y	Y	Y	Y	100	
5326	+26	Y	Y	Y	Y	Y	Y	Y	Y	Y	Y	100	
5327	+27	Y	Y	Y	Y	Y	Y	Y	Y	Y	Y	100	
5328	+28	Y	Y	Y	Y	Y	Y	Y	Y	Y	Y	100	
5329	+29	Y	Y	Y	Y	Y	Y	Y	Y	N	Y	90	F <sub>H</sub>
5330	+30	N	N	N	N	N	N	N	N	N	N	0	

Detection Bandwidth = F<sub>H</sub> - F<sub>L</sub> = 5329 - 5271 = 58 MHz

EUT 99% Bandwidth = 52.889 MHz (Refer to channel 60)



<80MHz / 5300MHz >

Frequency (MHz)	Fc	Trial Number (Detection = V, No Detection = N)										Rate (%)	F <sub>H</sub> /F <sub>L</sub>
		1	2	3	4	5	6	7	8	9	10		
5259	-41	N	N	N	N	N	N	N	N	N	N	0	
5260	-40	Y	Y	Y	Y	Y	Y	Y	Y	Y	Y	100	F <sub>L</sub>
5261	-39	Y	Y	Y	Y	Y	Y	Y	Y	Y	Y	100	
5262	-38	Y	Y	Y	Y	Y	Y	Y	Y	Y	Y	100	
5263	-37	Y	Y	Y	Y	Y	Y	Y	Y	Y	Y	100	
5264	-36	Y	Y	Y	Y	Y	Y	Y	Y	Y	Y	100	
5265	-35	Y	Y	Y	Y	Y	Y	Y	Y	Y	Y	100	
5370	-30	Y	Y	Y	Y	Y	Y	Y	Y	Y	Y	100	
5275	-25	Y	Y	Y	Y	Y	Y	Y	Y	Y	Y	100	
5280	-20	Y	Y	Y	Y	Y	Y	Y	Y	Y	Y	100	
5285	-15	Y	Y	Y	Y	Y	Y	Y	Y	Y	Y	100	
5290	-10	Y	Y	Y	Y	Y	Y	Y	Y	Y	Y	100	
5295	-5	Y	Y	Y	Y	Y	Y	Y	Y	Y	Y	100	
5300	0	Y	Y	Y	Y	Y	Y	Y	Y	Y	Y	100	
5305	+5	Y	Y	Y	Y	Y	Y	Y	Y	Y	Y	100	
5310	+10	Y	Y	Y	Y	Y	Y	Y	Y	Y	Y	100	
5315	+15	Y	Y	Y	Y	Y	Y	Y	Y	Y	Y	100	
5320	+20	Y	Y	Y	Y	Y	Y	Y	Y	Y	Y	100	
5325	+25	Y	Y	Y	Y	Y	Y	Y	Y	Y	Y	100	
5330	+30	Y	Y	Y	Y	Y	Y	Y	Y	Y	Y	100	
5335	+35	Y	Y	Y	Y	Y	Y	Y	Y	Y	Y	100	
5336	+36	Y	Y	Y	Y	Y	Y	Y	Y	Y	Y	100	
5337	+37	Y	Y	Y	Y	Y	Y	Y	Y	Y	Y	100	
5338	+38	Y	Y	Y	Y	Y	Y	Y	Y	Y	Y	100	
5339	+39	Y	Y	Y	Y	Y	Y	Y	Y	Y	Y	100	
5340	+40	Y	Y	Y	Y	Y	Y	Y	Y	Y	Y	100	F <sub>H</sub>
5341	+41	N	N	N	N	N	N	N	N	N	N	0	

Detection Bandwidth = F<sub>H</sub> – F<sub>L</sub> = 5340 – 5260 = 80 MHz

EUT 99% Bandwidth = 76.121 MHz (Refer to channel 60)



<10MHz / 5520MHz >

Frequency (MHz)	Fc	Trial Number (Detection = V, No Detection = N)										Rate (%)	F <sub>H</sub> /F <sub>L</sub>
		1	2	3	4	5	6	7	8	9	10		
5505	-15	N	Y	N	N	N	N	N	Y	N	N	20	
5506	-14	Y	Y	Y	Y	Y	Y	Y	Y	Y	Y	100	F <sub>L</sub>
5507	-13	Y	Y	Y	Y	Y	Y	Y	Y	Y	Y	100	
5508	-12	Y	Y	Y	Y	Y	Y	Y	Y	Y	Y	100	
5509	-11	Y	Y	Y	Y	Y	Y	Y	Y	Y	Y	100	
5510	-10	Y	Y	Y	Y	Y	Y	Y	Y	Y	Y	100	
5511	-9	Y	Y	Y	Y	Y	Y	Y	Y	Y	Y	100	
5512	-8	Y	Y	Y	Y	Y	Y	Y	Y	Y	Y	100	
5513	-7	Y	Y	Y	Y	Y	Y	Y	Y	Y	Y	100	
5514	-6	Y	Y	Y	Y	Y	Y	Y	Y	Y	Y	100	
5515	-5	Y	Y	Y	Y	Y	Y	Y	Y	Y	Y	100	
5516	-4	Y	Y	Y	Y	Y	Y	Y	Y	Y	Y	100	
5517	-3	Y	Y	Y	Y	Y	Y	Y	Y	Y	Y	100	
5518	-2	Y	Y	Y	Y	Y	Y	Y	Y	Y	Y	100	
5519	-1	Y	Y	Y	Y	Y	Y	Y	Y	Y	Y	100	
5520	0	Y	Y	Y	Y	Y	Y	Y	Y	Y	Y	100	
5521	+1	Y	Y	Y	Y	Y	Y	Y	Y	Y	Y	100	
5522	+2	Y	Y	Y	Y	Y	Y	Y	Y	Y	Y	100	
5523	+3	Y	Y	Y	Y	Y	Y	Y	Y	Y	Y	100	
5524	+4	Y	Y	Y	Y	Y	Y	Y	Y	Y	Y	100	
5525	+5	Y	Y	Y	Y	Y	Y	Y	Y	Y	Y	100	
5526	+6	Y	Y	Y	Y	Y	Y	Y	Y	Y	Y	100	
5527	+7	Y	Y	Y	Y	Y	Y	Y	Y	Y	Y	100	
5528	+8	Y	Y	Y	Y	Y	Y	Y	Y	Y	Y	100	
5529	+9	Y	Y	Y	Y	Y	Y	Y	Y	Y	Y	100	
5530	+10	Y	Y	Y	Y	Y	Y	Y	Y	Y	Y	100	
5531	+11	Y	Y	Y	Y	Y	Y	Y	Y	Y	Y	100	
5532	+12	Y	Y	Y	Y	Y	Y	Y	Y	Y	Y	100	
5533	+13	Y	Y	Y	Y	Y	Y	Y	Y	Y	Y	100	
5534	+14	Y	Y	Y	Y	Y	Y	Y	Y	Y	Y	100	F <sub>H</sub>
5535	+15	N	N	N	N	N	N	N	N	N	N	0	

Detection Bandwidth = F<sub>H</sub> - F<sub>L</sub> = 5534 - 5506 = 28 MHz

EUT 99% Bandwidth = 9.9363 MHz (Refer to channel 104)



<20MHz / 5520MHz >

Frequency (MHz)	Fc	Trial Number (Detection = V, No Detection = N)										Rate (%)	F <sub>H</sub> /F <sub>L</sub>	
		1	2	3	4	5	6	7	8	9	10			
5509	-11	N	N	N	N	N	N	N	N	N	N	N	0	
5510	-10	Y	Y	Y	Y	N	Y	Y	Y	Y	Y	Y	90	F <sub>L</sub>
5511	-9	Y	Y	Y	Y	Y	Y	Y	Y	Y	Y	Y	100	
5512	-8	Y	Y	Y	Y	Y	Y	Y	Y	Y	Y	Y	100	
5513	-7	Y	Y	Y	Y	Y	Y	Y	Y	Y	Y	Y	100	
5514	-6	Y	Y	Y	Y	Y	Y	Y	Y	Y	Y	Y	100	
5515	-5	Y	Y	Y	Y	Y	Y	Y	Y	Y	Y	Y	100	
5520	0	Y	Y	Y	Y	Y	Y	Y	Y	Y	Y	Y	100	
5525	+5	Y	Y	Y	Y	Y	Y	Y	Y	Y	Y	Y	100	
5526	+6	Y	Y	Y	Y	Y	Y	Y	Y	Y	Y	Y	100	
5527	+7	Y	Y	Y	Y	Y	Y	Y	Y	Y	Y	Y	100	
5528	+8	Y	Y	Y	Y	Y	Y	Y	Y	Y	Y	Y	100	
5529	+9	Y	Y	Y	Y	Y	Y	Y	Y	Y	Y	Y	100	
5530	+10	Y	Y	Y	Y	Y	Y	Y	Y	Y	Y	Y	100	F <sub>H</sub>
5531	+11	N	N	N	N	N	N	N	N	N	N	N	0	

Detection Bandwidth = F<sub>H</sub> – F<sub>L</sub> = 5530 – 5510 = 20 MHz

EUT 99% Bandwidth = 18.484 MHz (Refer to channel 104)



<30MHz / 5520MHz >

Frequency (MHz)	Fc	Trial Number (Detection = V, No Detection = N)										Rate (%)	F <sub>H</sub> /F <sub>L</sub>
		1	2	3	4	5	6	7	8	9	10		
5504	-16	N	N	N	N	N	N	N	N	N	N	0	
5505	-15	Y	Y	Y	Y	Y	Y	Y	Y	Y	N	90	F <sub>L</sub>
5506	-14	Y	Y	Y	Y	Y	Y	Y	Y	Y	Y	100	
5507	-13	Y	Y	Y	Y	Y	Y	Y	Y	Y	Y	100	
5508	-12	Y	Y	Y	Y	Y	Y	N	Y	Y	Y	90	
5509	-11	Y	Y	Y	Y	Y	Y	Y	Y	Y	Y	100	
5510	-10	Y	Y	Y	Y	Y	Y	Y	Y	Y	Y	100	
5515	-5	Y	Y	Y	Y	Y	Y	Y	Y	Y	Y	100	
5520	0	Y	Y	Y	Y	Y	Y	Y	Y	Y	Y	100	
5525	+5	Y	Y	Y	Y	Y	Y	Y	Y	Y	Y	100	
5530	+10	Y	Y	Y	Y	Y	Y	Y	Y	Y	Y	100	
5531	+11	Y	Y	Y	Y	Y	Y	Y	Y	Y	Y	100	
5532	+12	Y	Y	Y	Y	Y	Y	Y	Y	Y	Y	100	
5533	+13	Y	Y	Y	Y	Y	Y	Y	Y	Y	Y	100	
5534	+14	Y	Y	Y	Y	Y	Y	Y	Y	Y	Y	100	
5535	+15	Y	Y	Y	Y	Y	Y	Y	Y	Y	Y	100	F <sub>H</sub>
5536	+16	N	N	N	N	N	N	N	N	N	N	0	

Detection Bandwidth = F<sub>H</sub> – F<sub>L</sub>=5535 – 5505 = 30 MHz

EUT 99% Bandwidth =26.442 MHz (Refer to channel 104)



<40MHz / 5520MHz >

Frequency (MHz)	Fc	Trial Number (Detection = V, No Detection = N)										Rate (%)	F <sub>H</sub> /F <sub>L</sub>
		1	2	3	4	5	6	7	8	9	10		
5499	-21	N	N	N	N	N	N	N	N	N	N	0	
5500	-20	Y	Y	Y	Y	Y	Y	Y	Y	Y	Y	100	F <sub>L</sub>
5501	-19	Y	Y	Y	Y	Y	Y	Y	Y	Y	Y	100	
5502	-18	Y	Y	Y	Y	Y	Y	Y	Y	Y	Y	100	
5503	-17	Y	Y	Y	Y	Y	Y	Y	Y	Y	Y	100	
5504	-16	Y	Y	Y	Y	Y	Y	Y	Y	Y	Y	100	
5505	-15	Y	Y	Y	Y	Y	Y	Y	Y	Y	Y	100	
5510	-10	Y	Y	Y	Y	Y	Y	Y	Y	Y	Y	100	
5515	-5	Y	Y	Y	Y	Y	Y	Y	Y	Y	Y	100	
5520	0	Y	Y	Y	Y	Y	Y	Y	Y	Y	Y	100	
5525	+5	Y	Y	Y	Y	Y	Y	Y	Y	Y	Y	100	
5530	+10	Y	Y	Y	Y	Y	Y	Y	Y	Y	Y	100	
5535	+15	Y	Y	Y	Y	Y	Y	Y	Y	Y	Y	100	
5536	+16	Y	Y	Y	Y	Y	Y	Y	Y	Y	Y	100	
5537	+17	Y	Y	Y	Y	Y	Y	Y	Y	Y	Y	100	
5538	+18	Y	Y	Y	Y	Y	Y	Y	Y	Y	Y	100	
5539	+19	Y	Y	Y	Y	Y	Y	Y	Y	Y	Y	100	
5540	+20	Y	Y	Y	Y	Y	Y	Y	Y	Y	N	90	F <sub>H</sub>
5541	+21	N	N	N	N	N	N	N	N	N	N	0	

Detection Bandwidth = F<sub>H</sub> – F<sub>L</sub> = 5540 – 5500 = 40 MHz

EUT 99% Bandwidth = 36.825 MHz (Refer to channel 104)





<50MHz / 5520MHz >

Frequency (MHz)	Fc	Trial Number (Detection = V, No Detection = N)										Rate (%)	F <sub>H</sub> /F <sub>L</sub>
		1	2	3	4	5	6	7	8	9	10		
5495	-25	N	N	N	N	N	N	N	N	N	N	0	
5496	-24	Y	Y	Y	Y	Y	Y	Y	Y	N	Y	90	F <sub>L</sub>
5497	-23	Y	Y	Y	Y	Y	Y	Y	N	Y	Y	90	
5498	-22	Y	Y	Y	Y	Y	Y	Y	Y	Y	Y	100	
5499	-21	Y	Y	Y	Y	Y	Y	Y	Y	Y	Y	100	
5500	-20	Y	Y	Y	Y	Y	Y	Y	Y	Y	Y	100	
5505	-15	Y	Y	Y	Y	Y	Y	Y	Y	Y	Y	100	
5510	-10	Y	Y	Y	Y	Y	Y	Y	Y	Y	Y	100	
5515	-5	Y	Y	Y	Y	Y	Y	Y	Y	Y	Y	100	
5520	0	Y	Y	Y	Y	Y	Y	Y	Y	Y	Y	100	
5525	+5	Y	Y	Y	Y	Y	Y	Y	Y	Y	Y	100	
5530	+10	Y	Y	Y	Y	Y	Y	Y	Y	Y	Y	100	
5535	+15	Y	Y	Y	Y	Y	Y	Y	Y	Y	Y	100	
5540	+20	Y	Y	Y	Y	Y	Y	Y	Y	Y	Y	100	
5541	+21	Y	Y	Y	Y	Y	Y	Y	Y	Y	Y	100	
5542	+22	Y	Y	Y	Y	Y	Y	Y	Y	Y	Y	100	
5543	+23	Y	Y	Y	Y	Y	Y	Y	Y	Y	Y	100	
5544	+24	Y	Y	Y	Y	Y	Y	Y	Y	Y	Y	100	F <sub>H</sub>
5545	+25	N	N	N	N	N	N	N	N	N	N	0	

Detection Bandwidth = F<sub>H</sub> – F<sub>L</sub> = 5544 – 5496 = 48 MHz

EUT 99% Bandwidth = 44.927 MHz (Refer to channel 104)



<60MHz / 5520MHz >

Frequency (MHz)	Fc	Trial Number (Detection = V, No Detection = N)										Rate (%)	F <sub>H</sub> /F <sub>L</sub>
		1	2	3	4	5	6	7	8	9	10		
5490	-30	N	N	N	N	N	N	N	N	N	N	0	
5491	-29	Y	Y	Y	Y	Y	N	Y	Y	Y	Y	90	F <sub>L</sub>
5492	-28	Y	Y	Y	Y	Y	Y	Y	Y	Y	Y	100	
5493	-27	Y	Y	Y	Y	Y	Y	Y	Y	Y	Y	100	
5494	-26	Y	Y	Y	Y	Y	Y	Y	Y	Y	Y	100	
5495	-25	Y	Y	Y	Y	Y	Y	Y	Y	Y	Y	100	
5500	-20	Y	Y	Y	Y	Y	Y	Y	Y	Y	Y	100	
5505	-15	Y	Y	Y	Y	Y	Y	Y	Y	Y	Y	100	
5510	-10	Y	Y	Y	Y	Y	Y	Y	Y	Y	Y	100	
5515	-5	Y	Y	Y	Y	Y	Y	Y	Y	Y	Y	100	
5520	0	Y	Y	Y	Y	Y	Y	Y	Y	Y	Y	100	
5525	+5	Y	Y	Y	Y	Y	Y	Y	Y	Y	Y	100	
5530	+10	Y	Y	Y	Y	Y	Y	Y	Y	Y	N	90	
5535	+15	Y	Y	Y	Y	Y	Y	Y	Y	Y	Y	100	
5540	+20	Y	Y	Y	Y	Y	Y	Y	Y	Y	Y	100	
5545	+25	Y	Y	Y	Y	Y	Y	Y	Y	Y	Y	100	
5546	+26	Y	Y	Y	Y	Y	Y	N	Y	Y	Y	90	
5547	+27	Y	Y	Y	Y	Y	Y	Y	Y	Y	Y	100	
5548	+28	Y	Y	Y	Y	Y	Y	Y	Y	Y	Y	100	
5549	+29	Y	Y	N	Y	Y	Y	Y	Y	Y	Y	90	F <sub>H</sub>
5550	+30	N	N	N	N	N	N	N	N	N	N	0	

Detection Bandwidth = F<sub>H</sub> – F<sub>L</sub> = 5549 – 5491 = 58 MHz

EUT 99% Bandwidth = 53.131 MHz (Refer to channel 104)



<80MHz / 5520MHz >

Frequency (MHz)	Fc	Trial Number (Detection = V, No Detection = N)										Rate (%)	F <sub>H</sub> /F <sub>L</sub>
		1	2	3	4	5	6	7	8	9	10		
5479	-41	N	N	N	N	N	N	N	N	N	N	0	
5480	-40	Y	Y	Y	Y	Y	Y	Y	Y	Y	Y	100	F <sub>L</sub>
5481	-39	Y	Y	Y	Y	Y	Y	Y	Y	Y	Y	100	
5482	-38	Y	Y	Y	Y	Y	Y	Y	Y	Y	Y	100	
5483	-37	Y	Y	Y	Y	Y	Y	Y	Y	Y	Y	100	
5484	-36	Y	Y	Y	Y	Y	Y	Y	Y	Y	Y	100	
5485	-35	Y	Y	Y	Y	Y	Y	Y	Y	Y	Y	100	
5490	-30	Y	Y	Y	Y	Y	Y	Y	Y	Y	Y	100	
5495	-25	Y	Y	Y	Y	Y	Y	Y	Y	Y	Y	100	
5500	-20	Y	Y	Y	Y	Y	Y	Y	Y	Y	Y	100	
5505	-15	Y	Y	Y	Y	Y	Y	Y	Y	Y	Y	100	
5510	-10	Y	Y	Y	Y	Y	Y	Y	Y	Y	Y	100	
5515	-5	Y	Y	Y	Y	Y	Y	Y	Y	Y	Y	100	
5520	0	Y	Y	Y	Y	Y	Y	Y	Y	Y	Y	100	
5525	+5	Y	Y	Y	Y	Y	Y	Y	Y	Y	Y	100	
5530	+10	Y	Y	Y	Y	Y	Y	Y	Y	Y	Y	100	
5535	+15	Y	Y	Y	Y	Y	Y	Y	Y	Y	Y	100	
5540	+20	Y	Y	Y	Y	Y	Y	Y	Y	Y	Y	100	
5545	+25	Y	Y	Y	Y	Y	Y	Y	Y	Y	Y	100	
5550	+30	Y	Y	Y	Y	Y	Y	Y	Y	Y	Y	100	
5555	+35	Y	Y	Y	Y	Y	Y	Y	Y	Y	Y	100	
5556	+36	Y	Y	Y	Y	Y	Y	Y	Y	Y	Y	100	
5557	+37	Y	Y	Y	Y	Y	Y	Y	Y	Y	Y	100	
5558	+38	Y	Y	Y	Y	Y	Y	Y	Y	Y	Y	100	
5559	+39	Y	Y	Y	Y	Y	Y	Y	Y	Y	Y	100	
5560	+40	Y	Y	Y	Y	Y	Y	Y	Y	Y	Y	100	F <sub>H</sub>
5561	+41	N	N	N	N	N	N	N	N	N	N	0	

Detection Bandwidth = F<sub>H</sub> - F<sub>L</sub> = 5560 - 5480 = 80 MHz

EUT 99% Bandwidth = 75.896 MHz (Refer to channel 104)



### **3.3 Channel Availability Check (7.8.2)**

#### **3.3.1 Limit of Channel Availability Check**

The Initial Channel Availability Check Time tests that the EUT does not emit beacon, control, or data signals on the test Channel until the power-up sequence has been completed and the U-NII device checks for radar waveforms for **one minute** on the test Channel.

#### **3.3.2 Test Procedures**

##### **3.3.2.1 Initial Channel Availability Check Time**

This test does not use any radar waveforms and only needs to be performed one time.

- (1) The U-NII devices will be powered on and be instructed to operate on the appropriate U-NII Channel that must incorporate DFS functions. At the same time the EUT is powered on, the spectrum analyzer will be set to zero span mode with a 3 MHz RBW and 3 MHz VBW on the Channel occupied by the radar (Chr) with a 2.5 minute sweep time. The spectrum analyzer's sweep will be started at the same time power is applied to the U-NII device.
- (2) The EUT should not transmit any beacon or data transmissions until at least 1 minute after the completion of the power-on cycle.

3.3.2.2 Radar Burst at the Beginning of the Channel Availability Check Time

The steps below define the procedure to verify successful radar detection on the test Channel during a period equal to the Channel Availability Check Time and avoidance of operation on that Channel when a radar Burst with a level equal to the DFS Detection Threshold + 1 dB occurs at the beginning of the Channel Availability Check Time. This is illustrated in Figure 15.

- (1) The Radar Waveform generator and EUT are connected using the applicable test setup and the power of the EUT is switched off.
- (2) The EUT is powered on at  $T_0$ .  $T_1$  denotes the instant when the EUT has completed its power-up sequence ( $T_{power\_up}$ ). The Channel Availability Check Time commences on Chr at instant  $T_1$  and will end no sooner than  $T_1 + T_{ch\_avail\_check}$ .
- (3) A single Burst of one of the Short Pulse Radar Types 1-4 will commence within a 6 second window starting at  $T_1$ . An additional 1 dB is added to the radar test signal to ensure it is at or above the DFS Detection Threshold, accounting for equipment variations/errors.
- (4) Visual indication or measured results on the EUT of successful detection of the radar Burst will be recorded and reported. Observation of Chr for EUT emissions will continue for 2.5 minutes after the radar Burst has been generated.
- (5) Verify that during the 2.5 minute measurement window no EUT transmissions occurred on Chr. The Channel Availability Check results will be recorded.

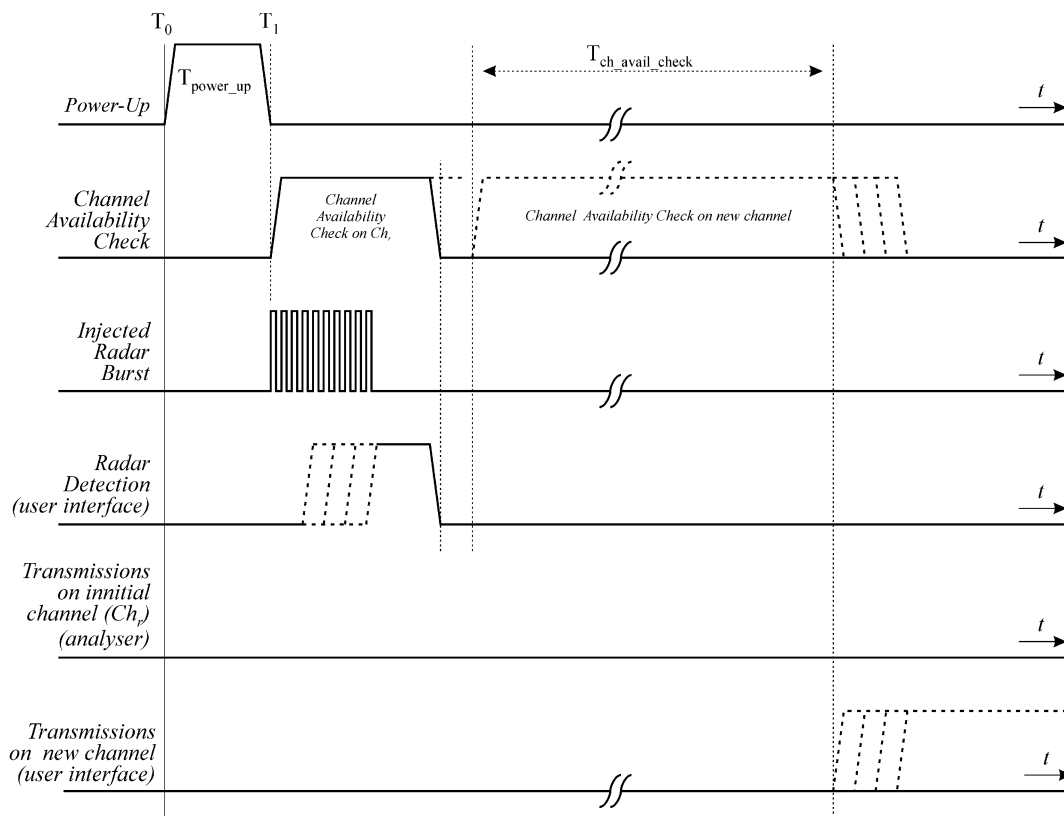
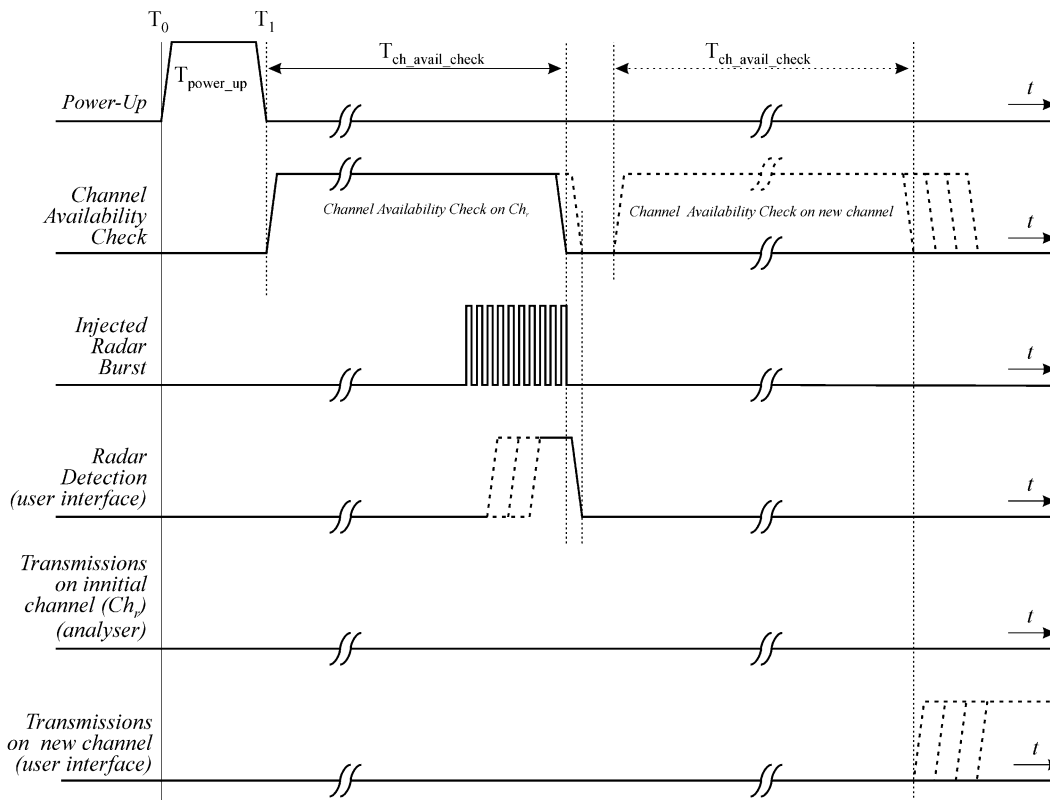


Figure 15: Example of timing for radar testing at the beginning of the Channel Availability Check Time

**3.3.2.3 Radar Burst at the End of the Channel Availability Check Time**

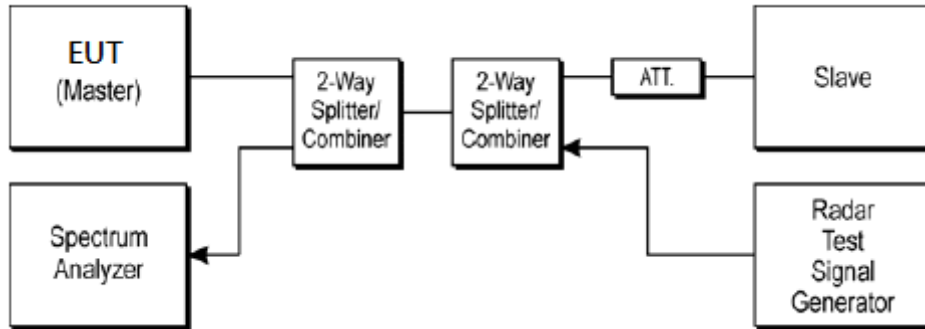
The steps below define the procedure to verify successful radar detection on the test Channel during a period equal to the Channel Availability Check Time and avoidance of operation on that Channel when a radar Burst with a level equal to the DFS Detection Threshold + 1dB occurs at the end of the Channel Availability Check Time. This is illustrated in Figure 16.

- (1) The Radar Waveform generator and EUT are connected using the applicable test setup and the power of the EUT is switched off.
- (2) The EUT is powered on at T<sub>0</sub>. T<sub>1</sub> denotes the instant when the EUT has completed its power-up sequence (T<sub>power\_up</sub>). The Channel Availability Check Time commences on Chr at instant T<sub>1</sub> and will end no sooner than T<sub>1</sub> + T<sub>ch\_avail\_check</sub>.
- (3) A single Burst of one of the Short Pulse Radar Types 1-4 will commence within a 6 second window starting at T<sub>1</sub> + 54 seconds. An additional 1 dB is added to the radar test signal to ensure it is at or above the DFS Detection Threshold, accounting for equipment variations/errors.
- (4) Visual indication or measured results on the EUT of successful detection of the radar Burst will be recorded and reported. Observation of Chr for EUT emissions will continue for 2.5 minutes after the radar Burst has been generated.
- (5) Verify that during the 2.5 minute measurement window no EUT transmissions occurred on Chr. The Channel Availability Check results will be recorded.



**Figure 16: Example of timing for radar testing towards the end of the Channel Availability Check Time**

### 3.3.3 Test Setup



### 3.3.4 Test Deviation

There is no deviation with the original standard.



### 3.3.5 Result of Channel Availability Check Time

<80MHz / 5300MHz >

#### EUT Power up and Initial Channel Availability Check Time



#### Radar Burst at the Beginning of the Channel Availability Check Time



#### Radar Burst at the End of the Channel Availability Check Time







<80MHz / 5520MHz >

EUT Power up and Initial Channel Availability Check Time



Radar Burst at the Beginning of the Channel Availability Check Time



Radar Burst at the End of the Channel Availability Check Time





### **3.4 In-Service Monitoring: Channel Move Time, Channel Closing Transmission Time and Non-Occupancy Period (7.8.3)**

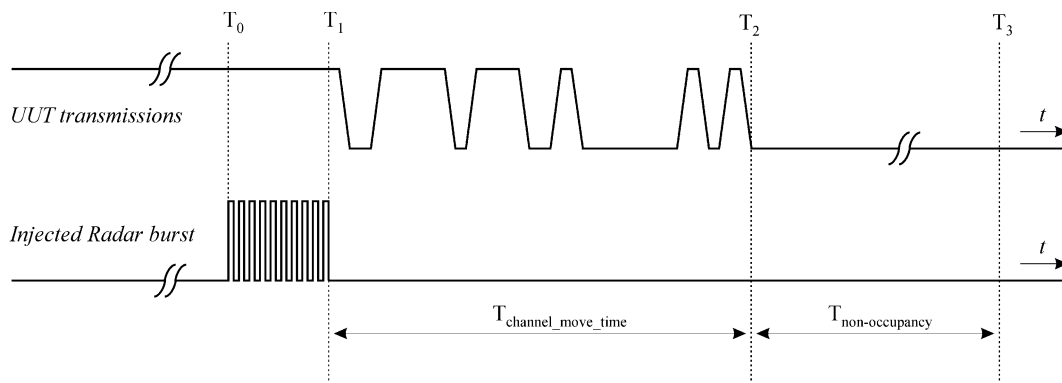
#### **3.4.1 Limit of In-Service Monitoring**

The EUT has In-Service Monitoring function to continuously monitor the radar signals, If radar is detected, it must leave the channel (Shutdown). The Channel Move Time to cease all transmissions on the current Channel upon detection of a Radar Waveform above the DFS Detection Threshold within 10 sec. The total duration of Channel Closing Transmission Time is comprised of 200 milliseconds starting at the beginning of the Channel Move Time plus any additional intermittent control signals required to facilitate Channel changes (an aggregate of 60 milliseconds) during the remainder of the 10 second period. The aggregate duration of control signals will not count quiet periods in between transmissions.

Non-Occupancy Period time is 30 minute during which a Channel will not be utilized after a Radar Waveform is detected on that Channel.

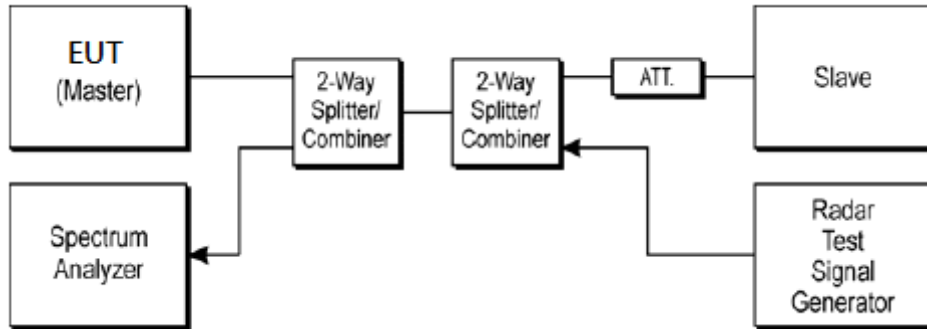
### 3.4.2 Test Procedures

- (1) One frequency will be chosen from the Operating Channels of the EUT within the 5250-5350 MHz or 5470-5725 MHz bands. For 802.11 devices, the test frequency must contain control signals. This can be verified by disabling channel loading and monitoring the spectrum analyzer. If no control signals are detected, another frequency must be selected within the emission bandwidth where control signals are detected.
- (2) In case the EUT is a Master Device, a U-NII device operating as a Client Device will be used and it is assumed that the Client will associate with the EUT (Master). For radiated tests, the emissions of the Radar Waveform generator will be directed towards the Master Device. If the Master Device has antenna gain, the main beam of the antenna will be directed toward the radar emitter. Vertical polarization is used for testing.
- (3) The TCP protocol unicast data stream was generated by the iperf software command line with at least 17% activity ratio over any 100ms period.
- (4) Timing plots are reported with calculations demonstrating a minimum channel loading of approximately 17% or greater. For example, channel loading can be estimated by setting the spectrum analyzer for zero span and approximate the Time On/ (Time On + Off Time).
- (5) At time T<sub>0</sub> the Radar Waveform generator sends a Burst of pulses for one of the Short Pulse Radar Types 1-4 at DFS Detection Threshold levels on the Operating Channel. An additional 1 dB is added to the radar test signal to ensure it is at or above the DFS Detection Threshold, accounting for equipment variations/errors.
- (6) Observe the transmissions of the EUT at the end of the radar Burst on the Operating Channel for duration greater than 10 seconds. Measure and record the transmissions from the EUT during the observation time (Channel Move Time). Measure and record the Channel Move Time and Channel Closing Transmission Time if radar detection occurs.
- (7) When operating as a Master Device, monitor the EUT for more than 30 minutes following instant T<sub>2</sub> to verify that the EUT does not resume any transmissions on this Channel. Perform this test once and record the measurement result.



- (8) One 12 seconds plot is reported for the Short Pulse Radar Type 0.
- (9) Measurement of the aggregate duration of the Channel Closing Transmission Time method. With the spectrum analyzer set to zero span tuned to the center frequency of the EUT operating channel at the radar simulated frequency, peak detection, and max hold, the dwell time per bin is given by:  $Dwell (0.4ms) = S (12000ms) / B (30000)$ ; where Dwell is the dwell time per spectrum analyzer sampling bin, S is the sweep time and B is the number of spectrum analyzer sampling bins. An upper bound of the aggregate duration of the intermittent control signals of Channel Closing Transmission Time is calculated by:  $C (ms) = N \times Dwell (0.4 ms)$ ; where C is the Closing Time, N is the number of spectrum analyzer sampling bins (intermittent control signals) showing a U-NII transmission and Dwell is the dwell time per bin.

### 3.4.3 Test Setup



### 3.4.4 Test Deviation

There is no deviation with the original standard.



3.4.5 Result of Channel Move Time, Channel Closing Transmission Time and Non-Occupancy Period for Client Beacon Test

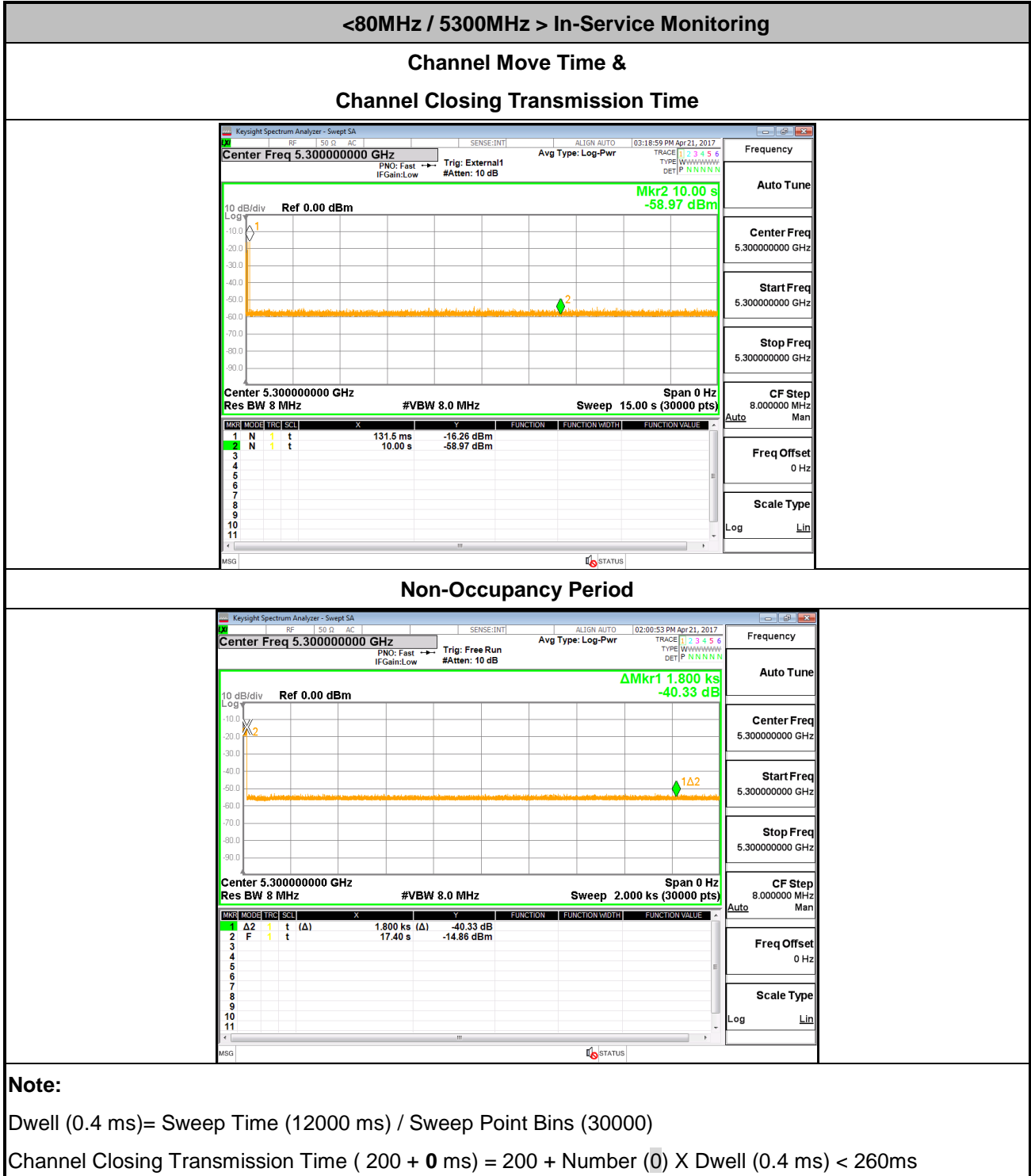
Test Mode :	Master	Temperature :	24.3-25.2°C
Test Engineer :	Rebecca Li	Relative Humidity :	44-47%

BW / Channel	Test Item	Test Result	Limit	Pass/Fail
80MHz /5300MHz	Channel Move Time	0.1315 s	< 10s	Pass
	Channel Closing Transmission Time	200ms + 0 ms	< 260ms	Pass
	Non-Occupancy Period	≥ 30	≥ 30 min	Pass
80MHz /5520MHz	Channel Move Time	3.022 s	< 10s	Pass
	Channel Closing Transmission Time	200ms + 39.2 ms	< 260ms	Pass
	Non-Occupancy Period	≥ 30	≥ 30 min	Pass

**Note:** The Channel Closing Transmission Time is comprised of 200 milliseconds starting at the beginning of the Channel Move Time plus any additional intermittent control signals required to facilitate a Channel move (an aggregate of 60 milliseconds) during the remainder of the 10 seconds period. The aggregate duration of control signals will not count quiet periods in between transmissions.



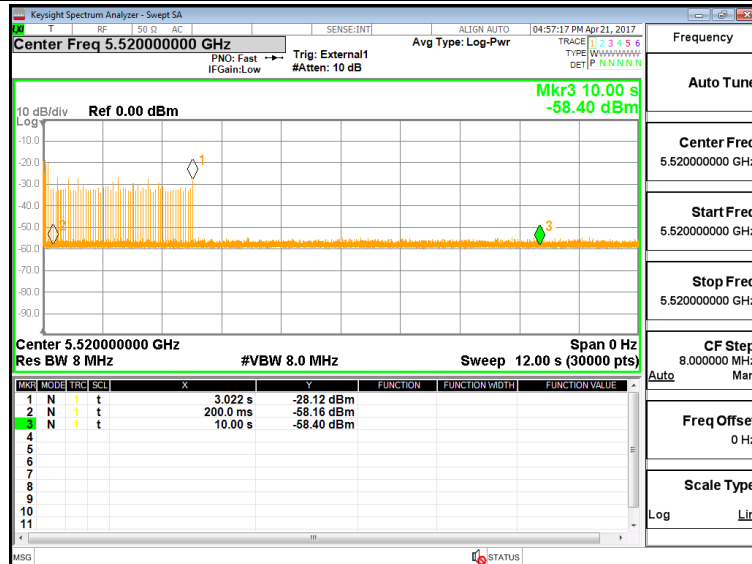
### 3.4.6 Channel Move Time, Channel Closing Transmission Time and Non-Occupancy Period Test Plots



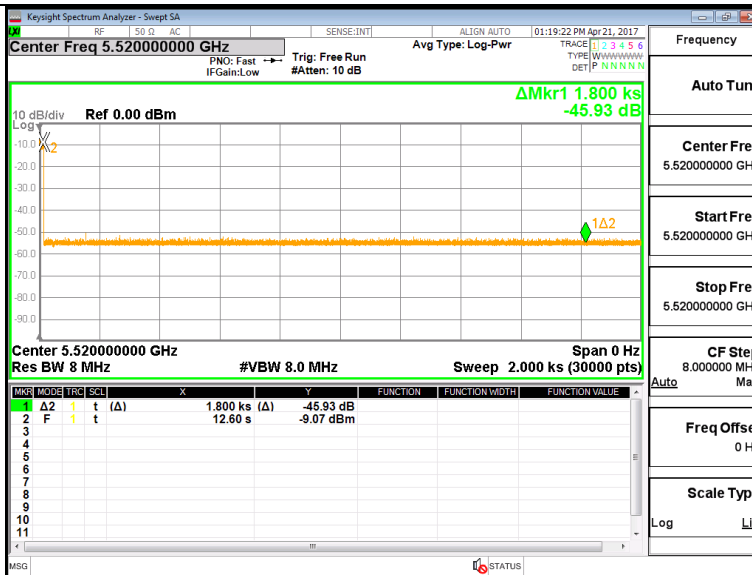


<80MHz /5520MHz > In-Service Monitoring

Channel Move Time &  
Channel Closing Transmission Time



Non-Occupancy Period



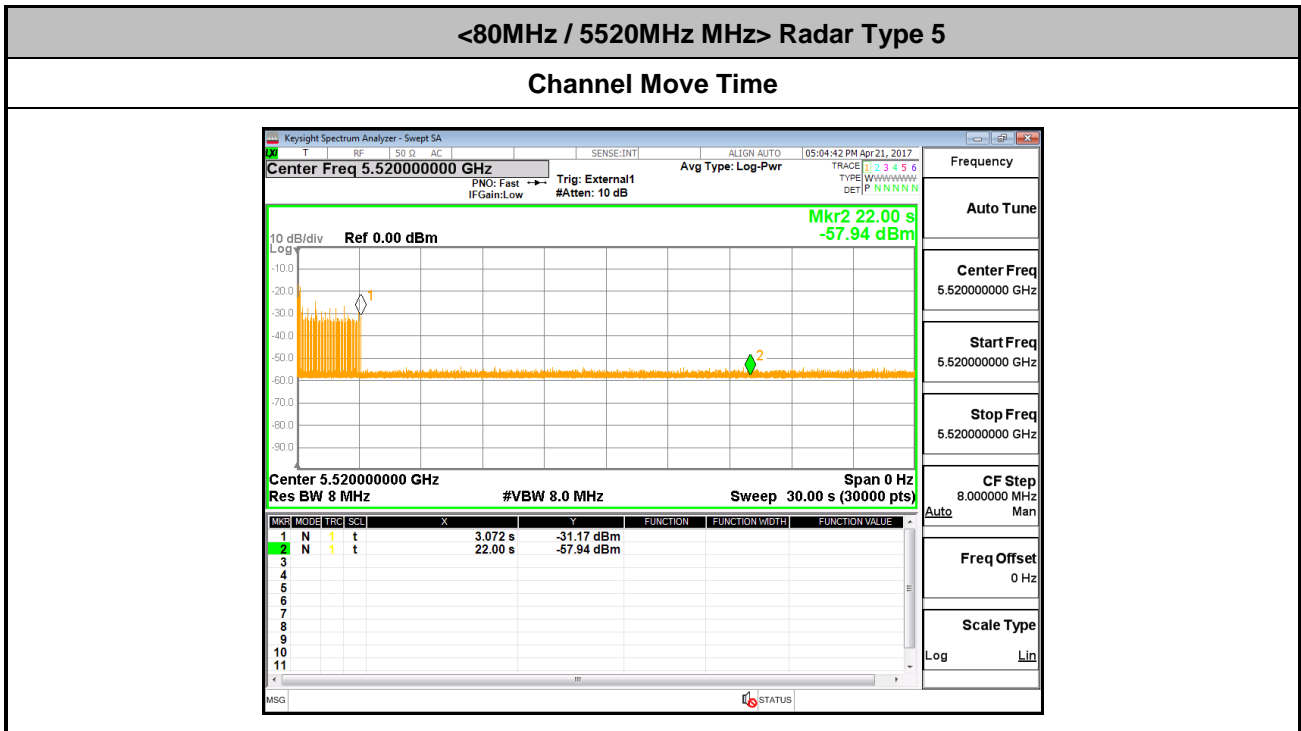
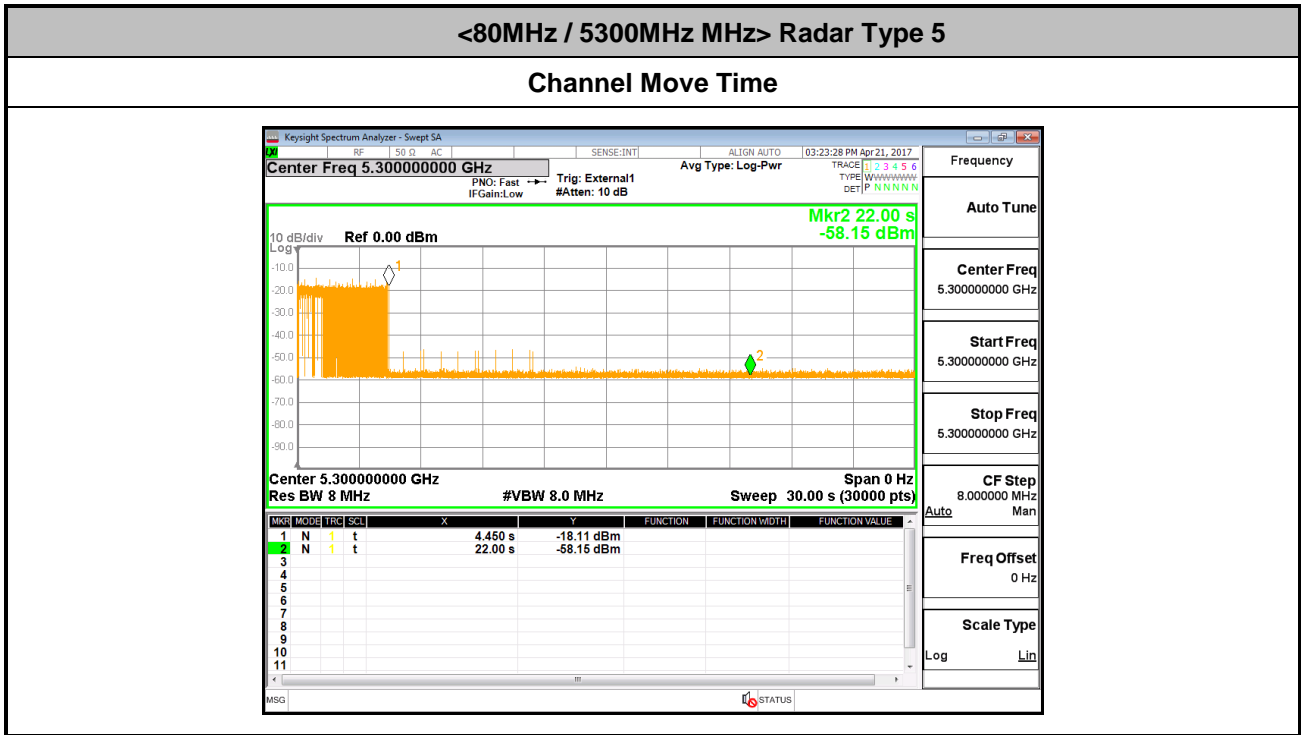
Note:

Dwell (0.4 ms) = Sweep Time (12000 ms) / Sweep Point Bins (30000)

Channel Closing Transmission Time (200 + 39.2 ms) = 200 + Number (98) X Dwell (0.4 ms) < 260ms



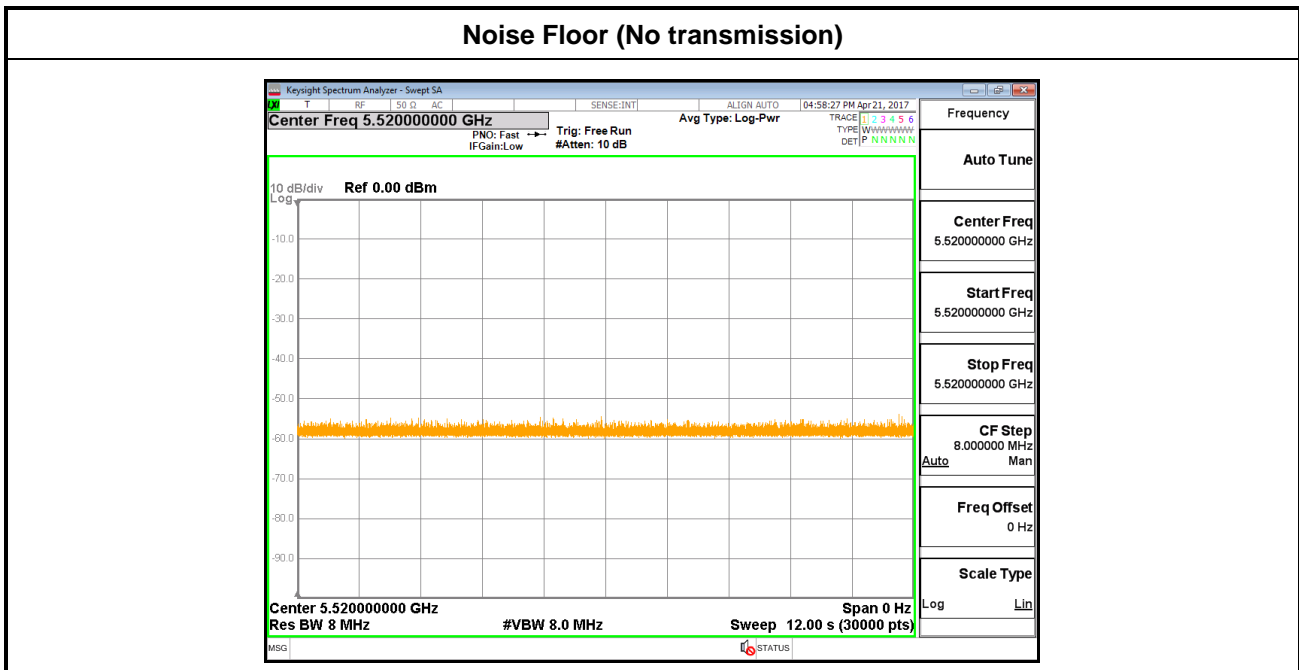
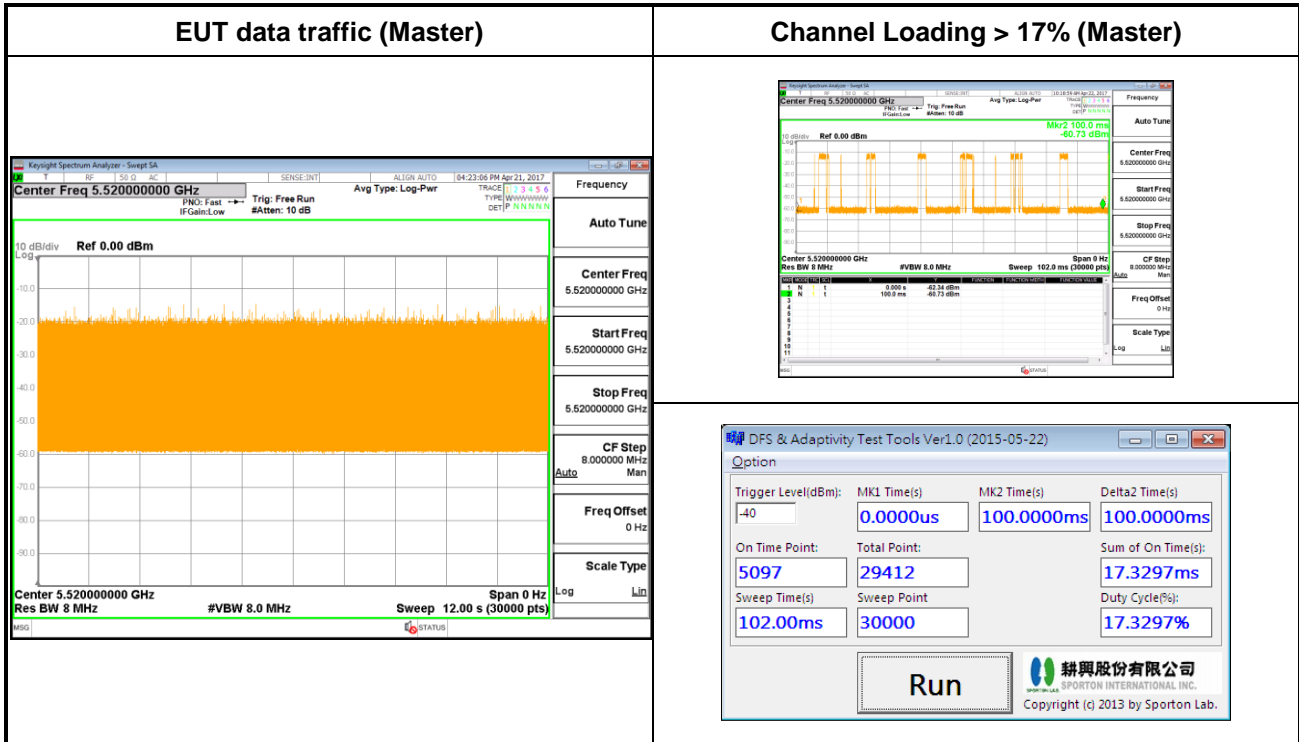
### 3.4.7 Long Pulsed Radar Type Channel Move Time Test Plots (22second)







### 3.4.8 Data Traffic Channel Loading and Noise Floor Plots





### 3.5 Statistical Performance Check (7.8.4)

#### 3.5.1 Limit of Statistical Performance Check

##### Short Pulse Radar Test

Once the performance requirements check is complete, statistical data will be gathered, to determine the ability of the device to detect the radar test waveforms (Short Pulse Radar Types 1-4) found in **Table 5**. The device can utilize a test mode to demonstrate when detection occurs to prevent the need to reset the device between trials. The percentage of successful detection is calculated by:

$$\frac{\text{TotalWaveformDetections}}{\text{TotalWaveformTrials}} \times 100 = \text{Percentage of Successful Detection Radar Waveform } N = P_d N$$

In addition an aggregate minimum percentage of successful detection across all Short Pulse Radar Types 1-4 is required and is calculated as follows:

$$\frac{P_d 1 + P_d 2 + P_d 3 + P_d 4}{4}$$

The minimum number of trails, minimum percentage of successful detection and the aggregate minimum percentage of successful detection are found in **Table 5**.

**Table 5 – Short Pulse Radar Test Waveforms**

Radar Type	Pulse Width (µsec)	PRI (µsec)	Number of Pulses	Minimum Percentage of Successful Detection	Minimum Number of Trials
1	1	1428	18	60%	30
2	1-5	150-230	23-29	60%	30
3	6-10	200-500	16-18	60%	30
4	11-20	200-500	12-16	60%	30
Aggregate (Radar Types 1-4)				80%	120

A minimum of 30 unique waveforms are required for each of the Short Pulse Radar Types 1 through 4. For Short Pulse Radar Type 0, the same waveform is used a minimum of 30 times. If more than 30 waveforms are used for Short Pulse Radar Types 1 through 4, then each additional waveform must also be unique and not repeated from the previous waveforms.



Radar Type	Number of Trials	Number of Successful Detections	Minimum Percentage of Successful Detection
1	35	29	82.9%
2	30	18	60%
3	30	27	90%
4	50	44	88%
Aggregate $(82.9\% + 60\% + 90\% + 88\%)/4 = 80.2\%$			



**Long Pulse Radar Test**

Statistical data will be gathered to determine the ability of the device to detect the Long Pulse Radar Type 5 found in **Table 6**. The device can utilize a test mode to demonstrate when detection occurs to prevent the need to reset the device between trials.

**Table 6 – Long Pulse Radar Test Waveform**

Radar Type	Pulse Width (μsec)	Chirp Width (MHz)	PRI (μsec)	Number of Pulses per Burst	Number of Bursts	Minimum Percentage of Successful Detection	Minimum Number of Trials
5	50-100	5-20	1000-2000	1-3	8-20	80%	30

The parameters for this waveform are randomly chosen. Thirty unique waveforms are required for the Long Pulse Radar Type waveforms. If more than 30 waveforms are used for the Long Pulse Radar Type waveforms, then each additional waveform must also be unique and not repeated from the previous waveforms.

Three subsets of trials will be performed with a minimum of ten trials per subset.

The subset of trials differs in where the Long Pulse Type 5 Signal is tuned in frequency:

- a) The Channel center frequency (subset case 1).
- b) Tuned frequencies such that 90% of the Long Pulse Type 5 frequency modulation is within the low edge of the UUT Occupied Bandwidth (subset case 2).
- c) Tuned frequencies such that 90% of the Long Pulse Type 5 frequency modulation is within the high edge of the UUT Occupied Bandwidth (subset case 3).

For subset case 1: the center frequency of the signal generator will remain fixed at the center of the UUT Channel.

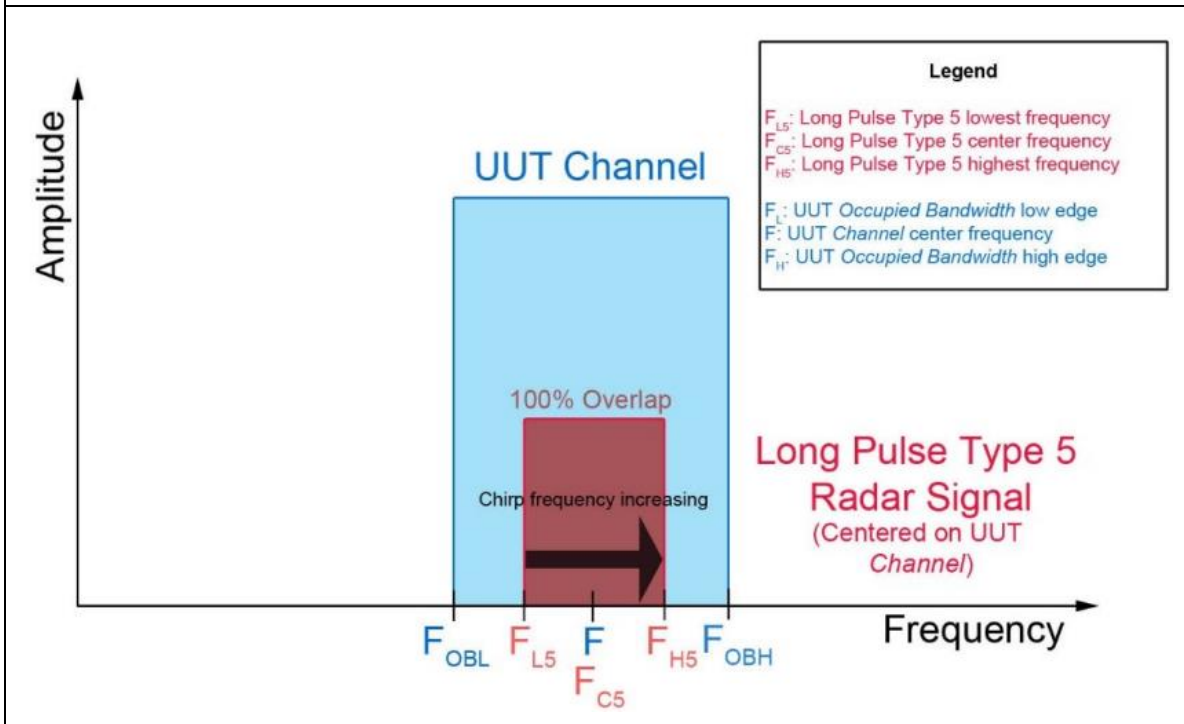
For subset case 2: to retain 90% frequency overlap between the radar signal and the UUT Occupied Bandwidth, the center frequency of the signal generator will vary for each of the ten trials in subset case 2.

The center frequency of the signal generator for each trial is calculated by:  $FL + (0.4 * Chirp\ Width\ [in\ MHz])$

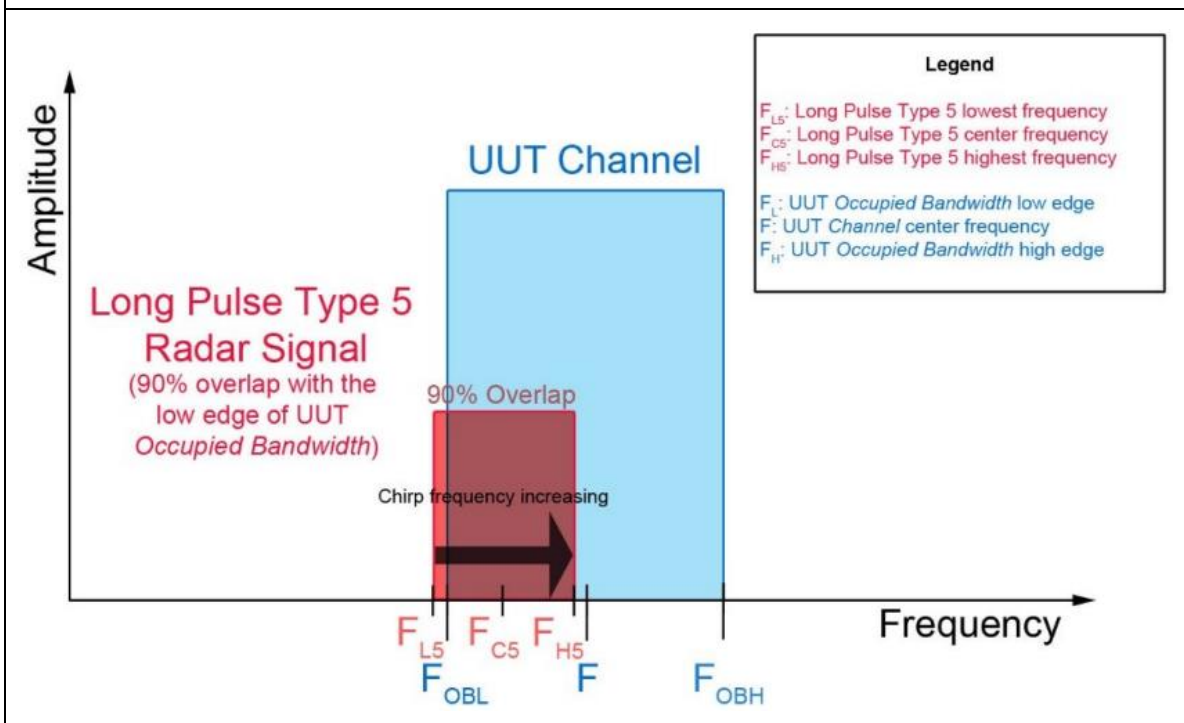
For subset case 3: to retain 90% frequency overlap between the radar signal and the UUT Occupied Bandwidth, the center frequency of the signal generator will vary for each of the ten trials in subset case 3.

The center frequency of the signal generator for each trial is calculated by:  $FH - (0.4 * Chirp\ Width\ [in\ MHz])$

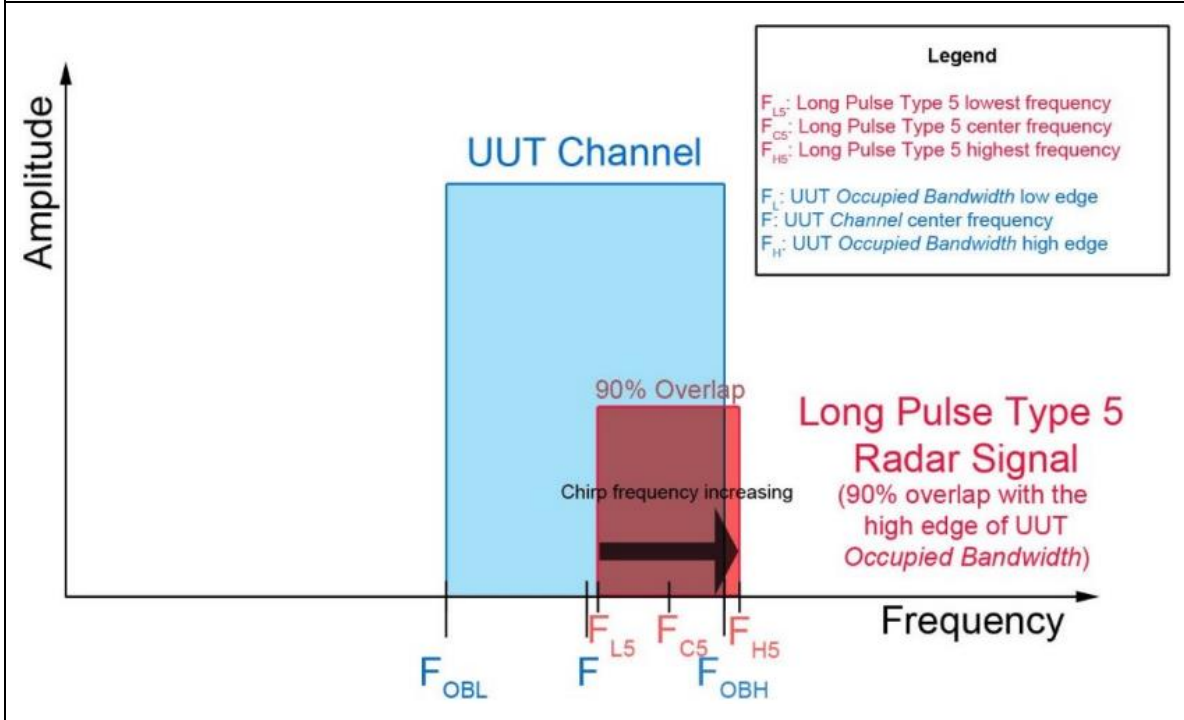
a) Channel center frequency (subset case 1)



b) Tuned frequencies such that 90% of the Long Pulse Type 5 frequency modulation is within the low edge of the UUT Occupied Bandwidth. (subset case 2)



c) Tuned frequencies such that 90% of the Long Pulse Type 5 frequency modulation is within the high edge of the UUT Occupied Bandwidth. (subset case 3)



The percentage of successful detection is calculated by:

$$\frac{\text{TotalWaveformDetections}}{\text{TotalWaveformTrials}} \times 100$$



**Frequency Hopping Radar Test**

Statistical data will be gathered to determine the ability of the device to detect the Frequency Hopping radar test signal (radar type 6) found in **Table 7**. The device can utilize a test mode to demonstrate when detection occurs to prevent the need to reset the device between trial runs. The probability of successful detection is calculated by:

$$\frac{TotalWaveformDetections}{TotalWaveformTrials} \times 100$$

**Table 7 – Frequency Hopping Radar Test Waveform**

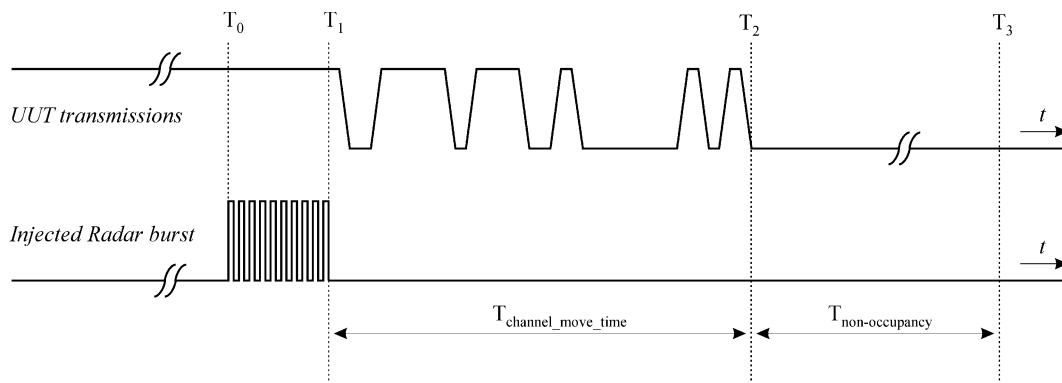
Radars Type	Pulse Width (µsec)	PRI (µsec)	Pulses per Hop	Hopping Rate (kHz)	Hopping Sequence Length (msec)	Minimum Percentage of Successful Detection	Minimum Number of Trials
6	1	333	9	0.333	300	70%	30

For the Frequency Hopping Radar Type, the same *Burst* parameters are used for each waveform. The hopping sequence is different for each waveform and a 100-length segment is selected from the hopping sequence defined by the following algorithm:

The first frequency in a hopping sequence is selected randomly from the group of 475 integer frequencies from 5250 – 5724 MHz. Next, the frequency that was just chosen is removed from the group and a frequency is randomly selected from the remaining 474 frequencies in the group. This process continues until all 475 frequencies are chosen for the set. For selection of a random frequency, the frequencies remaining within the group are always treated as equally likely.

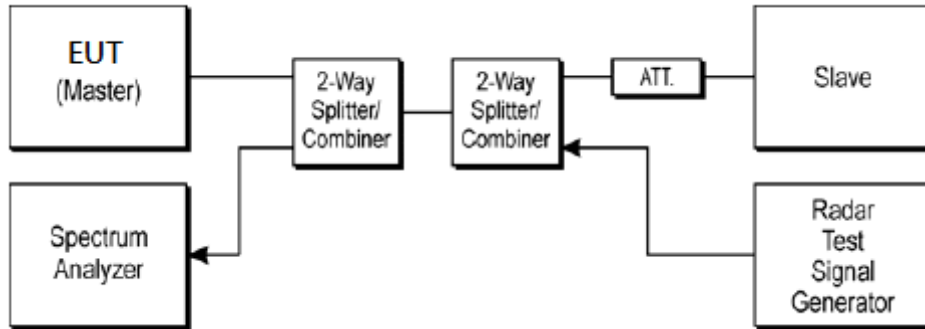
### 3.5.2 Test Procedures

- (1) One frequency will be chosen from the Operating Channels of the EUT within the 5250-5350 MHz or 5470-5725 MHz bands.
- (2) In case the EUT is a Master Device, a U-NII device operating as a Client Device will be used and it is assumed that the Client will associate with the EUT (Master). If the Master Device has antenna gain, the main beam of the antenna will be directed toward the radar emitter. Vertical polarization is used for testing.
- (3) The TCP protocol unicast data stream was generated by the iperf software command line with at least 17% activity ratio over any 100ms period.
- (4) At time  $T_0$  the Radar Waveform generator sends a Burst of pulses for each of the Radar Types 1-6 at DFS Detection Threshold levels on the Operating Channel. An additional 1 dB is added to the radar test signal to ensure it is at or above the DFS Detection Threshold, accounting for equipment variations/errors.
- (5) Observe the transmissions of the EUT at the end of the Burst on the Operating Channel for duration greater than 10 seconds for Short Pulse Radar Types 1-4 and 6 to ensure detection occurs.
- (6) Observe the transmissions of the EUT at the end of the Burst on the Operating Channel for duration greater than 22 seconds for Long Pulse Radar Type 5 to ensure detection occurs.





### 3.5.3 Test Setup



### 3.5.4 Test Deviation

There is no deviation with the original standard.



3.5.5 Result of Statistical Performance Check

<10MHz / 5300MHz >

(Detection = Y, No Detection = N)						
Trial Number	Type 1	Type 2	Type 3	Type 4	Type 5	Type 6
1	Y	Y	Y	Y	Y	Y
2	Y	Y	Y	Y	Y	Y
3	Y	Y	Y	Y	Y	Y
4	Y	Y	Y	Y	Y	Y
5	Y	Y	Y	Y	Y	Y
6	Y	Y	Y	Y	Y	Y
7	Y	Y	Y	Y	Y	Y
8	Y	Y	Y	Y	Y	Y
9	Y	Y	Y	Y	Y	Y
10	Y	Y	Y	Y	Y	Y
11	Y	Y	Y	Y	Y	Y
12	Y	Y	Y	Y	Y	Y
13	Y	Y	Y	Y	Y	Y
14	Y	Y	Y	Y	Y	Y
15	Y	Y	Y	Y	Y	Y
16	Y	Y	Y	Y	Y	Y
17	Y	Y	Y	Y	Y	Y
18	Y	Y	Y	Y	Y	Y
19	Y	Y	Y	Y	Y	Y
20	Y	Y	Y	Y	Y	Y
21	Y	Y	Y	Y	Y	Y
22	Y	Y	Y	Y	Y	Y
23	Y	Y	Y	Y	Y	Y
24	Y	Y	Y	Y	Y	Y
25	Y	Y	Y	Y	Y	Y
26	Y	Y	Y	Y	Y	Y
27	Y	Y	Y	Y	Y	Y
28	Y	Y	Y	Y	Y	Y
29	Y	Y	Y	Y	Y	Y
30	Y	Y	Y	Y	Y	Y
<b>Trial of Detection</b>	<b>30/30</b>	<b>30/30</b>	<b>30/30</b>	<b>30/30</b>	<b>30/30</b>	<b>30/30</b>
<b>Probability (%)</b>	<b>100%</b>	<b>100%</b>	<b>100%</b>	<b>100%</b>	<b>100%</b>	<b>100%</b>
<b>Limit (%)</b>	<b>&gt;= 60%</b>	<b>&gt;= 60%</b>	<b>&gt;= 60%</b>	<b>&gt;= 60%</b>	<b>&gt;= 80%</b>	<b>&gt;= 70%</b>
<b>Average Probability of Radar Type 1~4 (%)</b>	<b>100% ( &gt;=80% )</b>					



<20MHz / 5300MHz >

(Detection = Y, No Detection = N)						
Trial Number	Type 1	Type 2	Type 3	Type 4	Type 5	Type 6
1	Y	Y	Y	Y	Y	Y
2	Y	Y	Y	Y	Y	Y
3	Y	Y	Y	Y	Y	Y
4	Y	Y	Y	Y	Y	Y
5	Y	Y	Y	Y	Y	Y
6	Y	Y	Y	N	Y	Y
7	Y	Y	Y	Y	Y	Y
8	Y	Y	Y	Y	Y	Y
9	Y	Y	Y	Y	Y	Y
10	Y	Y	Y	Y	Y	Y
11	Y	Y	Y	Y	Y	Y
12	Y	Y	Y	Y	Y	Y
13	Y	Y	Y	Y	N	Y
14	Y	Y	Y	Y	Y	Y
15	Y	Y	Y	Y	Y	Y
16	Y	Y	Y	Y	Y	Y
17	Y	Y	Y	Y	Y	Y
18	Y	Y	Y	N	Y	Y
19	Y	Y	Y	N	N	Y
20	Y	Y	N	Y	Y	Y
21	Y	Y	Y	Y	Y	Y
22	Y	Y	Y	Y	Y	Y
23	Y	Y	Y	Y	Y	Y
24	Y	Y	Y	Y	Y	Y
25	Y	Y	Y	Y	Y	Y
26	Y	Y	Y	Y	Y	Y
27	Y	Y	Y	Y	Y	Y
28	Y	Y	Y	Y	Y	Y
29	Y	Y	Y	Y	Y	Y
30	Y	Y	Y	Y	Y	Y
<b>Trial of Detection</b>	<b>30/30</b>	<b>30/30</b>	<b>29/30</b>	<b>27/30</b>	<b>28/30</b>	<b>30/30</b>
<b>Probability (%)</b>	<b>100%</b>	<b>100%</b>	<b>96.67%</b>	<b>90%</b>	<b>93.33%</b>	<b>100%</b>
<b>Limit (%)</b>	<b>&gt;= 60%</b>	<b>&gt;= 60%</b>	<b>&gt;= 60%</b>	<b>&gt;= 60%</b>	<b>&gt;= 80%</b>	<b>&gt;= 70%</b>
<b>Average Probability of Radar Type 1~4 (%)</b>	<b>96.67% ( &gt;=80% )</b>					



<30MHz / 5300MHz >

(Detection = Y, No Detection = N)						
Trial Number	Type 1	Type 2	Type 3	Type 4	Type 5	Type 6
1	Y	Y	Y	Y	Y	Y
2	Y	Y	Y	Y	Y	Y
3	Y	Y	Y	Y	Y	Y
4	Y	Y	Y	Y	Y	Y
5	Y	Y	Y	Y	Y	Y
6	Y	Y	Y	Y	Y	Y
7	Y	Y	Y	Y	Y	Y
8	Y	Y	Y	Y	Y	Y
9	Y	Y	Y	Y	Y	Y
10	Y	Y	Y	Y	Y	Y
11	Y	Y	Y	Y	Y	Y
12	Y	Y	Y	Y	Y	Y
13	Y	Y	Y	Y	Y	Y
14	Y	Y	Y	Y	Y	Y
15	Y	Y	Y	Y	Y	Y
16	Y	Y	Y	Y	Y	Y
17	Y	Y	Y	Y	Y	Y
18	Y	Y	Y	Y	N	Y
19	Y	Y	Y	Y	Y	Y
20	Y	Y	Y	Y	Y	Y
21	Y	Y	Y	Y	Y	Y
22	Y	Y	Y	Y	Y	Y
23	Y	Y	Y	Y	Y	Y
24	Y	Y	Y	Y	Y	Y
25	Y	Y	Y	Y	Y	Y
26	Y	Y	Y	Y	Y	Y
27	Y	Y	Y	Y	Y	Y
28	Y	Y	Y	Y	Y	Y
29	Y	Y	Y	Y	Y	Y
30	Y	Y	Y	Y	Y	Y
<b>Trial of Detection</b>	<b>30/30</b>	<b>30/30</b>	<b>30/30</b>	<b>30/30</b>	<b>29/30</b>	<b>30/30</b>
<b>Probability (%)</b>	<b>100%</b>	<b>100%</b>	<b>100%</b>	<b>100%</b>	<b>96.67%</b>	<b>100%</b>
<b>Limit (%)</b>	<b>&gt;= 60%</b>	<b>&gt;= 60%</b>	<b>&gt;= 60%</b>	<b>&gt;= 60%</b>	<b>&gt;= 80%</b>	<b>&gt;= 70%</b>
<b>Average Probability of Radar Type 1~4 (%)</b>	<b>100% ( &gt;=80% )</b>					



<40MHz / 5300MHz >

(Detection = Y, No Detection = N)						
Trial Number	Type 1	Type 2	Type 3	Type 4	Type 5	Type 6
1	Y	Y	Y	Y	Y	Y
2	Y	Y	Y	N	Y	Y
3	Y	Y	Y	Y	Y	Y
4	Y	Y	N	Y	Y	Y
5	Y	Y	Y	Y	Y	Y
6	Y	Y	Y	Y	Y	Y
7	Y	Y	Y	Y	Y	Y
8	Y	Y	Y	Y	Y	Y
9	Y	Y	Y	Y	Y	Y
10	Y	N	Y	Y	Y	Y
11	Y	Y	Y	N	Y	Y
12	Y	Y	N	Y	Y	Y
13	Y	Y	Y	Y	Y	Y
14	Y	Y	Y	Y	Y	Y
15	Y	Y	Y	Y	Y	Y
16	Y	Y	Y	Y	Y	Y
17	Y	Y	Y	Y	Y	Y
18	Y	Y	Y	Y	Y	Y
19	Y	Y	Y	N	Y	Y
20	Y	Y	Y	Y	Y	Y
21	Y	Y	Y	Y	Y	Y
22	Y	Y	Y	Y	Y	Y
23	Y	Y	Y	Y	Y	Y
24	Y	Y	Y	Y	Y	Y
25	Y	Y	Y	Y	Y	Y
26	Y	Y	Y	Y	Y	Y
27	Y	Y	Y	Y	Y	Y
28	Y	Y	Y	Y	Y	Y
29	Y	Y	Y	Y	Y	Y
30	Y	Y	Y	Y	Y	Y
<b>Trial of Detection</b>	<b>30/30</b>	<b>29/30</b>	<b>28/30</b>	<b>27/30</b>	<b>30/30</b>	<b>30/30</b>
<b>Probability (%)</b>	<b>100%</b>	<b>96.67%</b>	<b>93.33%</b>	<b>90%</b>	<b>100%</b>	<b>100%</b>
<b>Limit (%)</b>	<b>&gt;= 60%</b>	<b>&gt;= 60%</b>	<b>&gt;= 60%</b>	<b>&gt;= 60%</b>	<b>&gt;= 80%</b>	<b>&gt;= 70%</b>
<b>Average Probability of Radar Type 1~4 (%)</b>	<b>95% ( &gt;=80% )</b>					



<50MHz / 5300MHz >

(Detection = Y, No Detection = N)						
Trial Number	Type 1	Type 2	Type 3	Type 4	Type 5	Type 6
1	Y	Y	Y	Y	Y	Y
2	Y	Y	Y	Y	Y	Y
3	Y	Y	Y	Y	Y	Y
4	Y	Y	Y	Y	Y	Y
5	Y	Y	Y	Y	Y	Y
6	Y	Y	Y	Y	Y	Y
7	Y	Y	Y	Y	Y	Y
8	Y	Y	Y	Y	Y	Y
9	Y	Y	Y	Y	Y	Y
10	Y	Y	Y	Y	Y	Y
11	Y	Y	Y	Y	Y	Y
12	Y	Y	Y	Y	Y	Y
13	Y	Y	Y	Y	Y	Y
14	Y	Y	Y	Y	Y	Y
15	Y	Y	Y	Y	Y	Y
16	Y	Y	Y	Y	Y	Y
17	Y	Y	Y	Y	Y	Y
18	Y	Y	Y	Y	Y	Y
19	Y	Y	Y	Y	Y	Y
20	Y	Y	Y	Y	Y	Y
21	Y	Y	Y	Y	Y	Y
22	N	Y	Y	Y	Y	Y
23	Y	Y	Y	Y	Y	Y
24	Y	Y	Y	Y	Y	Y
25	Y	Y	Y	Y	Y	Y
26	Y	Y	Y	Y	Y	Y
27	Y	Y	Y	Y	Y	Y
28	Y	Y	Y	Y	Y	Y
29	Y	Y	N	Y	Y	Y
30	Y	Y	Y	Y	Y	Y
<b>Trial of Detection</b>	<b>29/30</b>	<b>30/30</b>	<b>29/30</b>	<b>30/30</b>	<b>30/30</b>	<b>30/30</b>
<b>Probability (%)</b>	<b>96.67%</b>	<b>100%</b>	<b>96.67%</b>	<b>100%</b>	<b>100%</b>	<b>100%</b>
<b>Limit (%)</b>	<b>&gt;= 60%</b>	<b>&gt;= 60%</b>	<b>&gt;= 60%</b>	<b>&gt;= 60%</b>	<b>&gt;= 80%</b>	<b>&gt;= 70%</b>
<b>Average Probability of Radar Type 1~4 (%)</b>	<b>98.33% ( &gt;=80% )</b>					



<60MHz / 5300MHz >

(Detection = Y, No Detection = N)						
Trial Number	Type 1	Type 2	Type 3	Type 4	Type 5	Type 6
1	Y	Y	Y	Y	Y	Y
2	Y	Y	Y	Y	Y	Y
3	Y	Y	Y	Y	N	Y
4	Y	Y	Y	Y	Y	Y
5	Y	Y	Y	Y	Y	Y
6	Y	Y	Y	Y	Y	Y
7	Y	Y	Y	Y	Y	Y
8	Y	Y	Y	Y	Y	Y
9	Y	Y	Y	Y	Y	Y
10	Y	Y	Y	Y	Y	Y
11	Y	Y	Y	Y	Y	Y
12	Y	Y	Y	Y	Y	Y
13	Y	Y	Y	Y	Y	Y
14	Y	Y	Y	Y	Y	Y
15	Y	Y	Y	Y	Y	Y
16	Y	Y	Y	Y	Y	Y
17	Y	Y	Y	Y	Y	Y
18	Y	Y	Y	Y	Y	Y
19	Y	Y	Y	Y	Y	Y
20	Y	Y	Y	Y	N	Y
21	Y	Y	Y	Y	Y	Y
22	Y	Y	Y	Y	Y	Y
23	Y	Y	Y	Y	Y	Y
24	Y	Y	Y	Y	Y	Y
25	Y	Y	Y	Y	Y	Y
26	Y	Y	Y	Y	Y	Y
27	Y	Y	Y	Y	Y	Y
28	Y	Y	Y	Y	Y	Y
29	Y	Y	Y	Y	Y	Y
30	Y	Y	Y	Y	Y	Y
<b>Trial of Detection</b>	<b>30/30</b>	<b>30/30</b>	<b>30/30</b>	<b>30/30</b>	<b>28/30</b>	<b>30/30</b>
<b>Probability (%)</b>	<b>100%</b>	<b>100%</b>	<b>100%</b>	<b>100%</b>	<b>93.33%</b>	<b>100%</b>
<b>Limit (%)</b>	<b>&gt;= 60%</b>	<b>&gt;= 60%</b>	<b>&gt;= 60%</b>	<b>&gt;= 60%</b>	<b>&gt;= 80%</b>	<b>&gt;= 70%</b>
<b>Average Probability of Radar Type 1~4 (%)</b>	<b>100% ( &gt;=80% )</b>					



<80MHz / 5300MHz >

(Detection = Y, No Detection = N)						
Trial Number	Type 1	Type 2	Type 3	Type 4	Type 5	Type 6
1	Y	Y	Y	Y	Y	Y
2	Y	Y	Y	Y	Y	Y
3	Y	Y	Y	Y	Y	Y
4	Y	Y	Y	Y	Y	Y
5	Y	Y	Y	Y	Y	Y
6	Y	Y	Y	N	Y	Y
7	Y	Y	Y	N	Y	Y
8	Y	Y	Y	Y	Y	Y
9	Y	Y	Y	Y	Y	Y
10	Y	Y	Y	Y	Y	Y
11	Y	Y	Y	Y	Y	Y
12	Y	Y	Y	Y	Y	Y
13	Y	Y	Y	Y	Y	Y
14	Y	Y	Y	Y	Y	Y
15	Y	Y	Y	Y	Y	Y
16	Y	Y	Y	Y	Y	Y
17	Y	Y	Y	N	Y	Y
18	Y	Y	Y	Y	Y	Y
19	Y	Y	Y	Y	Y	Y
20	Y	Y	N	N	Y	Y
21	Y	Y	Y	Y	Y	Y
22	Y	Y	Y	Y	Y	Y
23	Y	Y	Y	Y	Y	Y
24	Y	Y	Y	Y	Y	Y
25	Y	Y	Y	Y	Y	Y
26	Y	Y	Y	Y	Y	Y
27	Y	Y	Y	Y	Y	Y
28	Y	Y	Y	Y	Y	Y
29	Y	Y	Y	Y	Y	Y
30	Y	Y	Y	Y	Y	Y
<b>Trial of Detection</b>	<b>30/30</b>	<b>30/30</b>	<b>29/30</b>	<b>26/30</b>	<b>30/30</b>	<b>30/30</b>
<b>Probability (%)</b>	<b>100%</b>	<b>100%</b>	<b>96.67%</b>	<b>86.67%</b>	<b>100%</b>	<b>100%</b>
<b>Limit (%)</b>	<b>&gt;= 60%</b>	<b>&gt;= 60%</b>	<b>&gt;= 60%</b>	<b>&gt;= 60%</b>	<b>&gt;= 80%</b>	<b>&gt;= 70%</b>
<b>Average Probability of Radar Type 1~4 (%)</b>	<b>95.83% ( &gt;=80% )</b>					





<10MHz / 5520MHz >

(Detection = Y, No Detection = N)						
Trial Number	Type 1	Type 2	Type 3	Type 4	Type 5	Type 6
1	Y	Y	Y	Y	Y	Y
2	Y	Y	Y	Y	Y	Y
3	Y	Y	Y	Y	Y	Y
4	Y	Y	Y	Y	Y	Y
5	Y	Y	Y	Y	Y	Y
6	Y	Y	Y	Y	Y	Y
7	Y	Y	Y	Y	Y	Y
8	Y	Y	Y	Y	Y	Y
9	Y	Y	Y	Y	Y	Y
10	Y	Y	Y	Y	Y	Y
11	Y	Y	Y	Y	Y	Y
12	Y	Y	Y	Y	Y	Y
13	Y	Y	Y	Y	Y	Y
14	Y	Y	Y	Y	Y	Y
15	Y	Y	Y	Y	Y	Y
16	Y	Y	Y	Y	Y	Y
17	Y	Y	Y	Y	Y	Y
18	Y	Y	Y	Y	Y	Y
19	Y	Y	Y	Y	Y	Y
20	Y	Y	Y	Y	Y	Y
21	Y	Y	Y	Y	Y	Y
22	Y	Y	Y	Y	Y	Y
23	Y	Y	Y	Y	Y	Y
24	Y	Y	Y	Y	Y	Y
25	Y	Y	Y	Y	Y	Y
26	Y	Y	Y	Y	Y	Y
27	Y	Y	Y	Y	Y	Y
28	Y	Y	Y	Y	Y	Y
29	Y	Y	Y	Y	Y	Y
30	Y	Y	Y	Y	Y	Y
<b>Trial of Detection</b>	<b>30/30</b>	<b>30/30</b>	<b>30/30</b>	<b>30/30</b>	<b>30/30</b>	<b>30/30</b>
<b>Probability (%)</b>	<b>100%</b>	<b>100%</b>	<b>100%</b>	<b>100%</b>	<b>100%</b>	<b>100%</b>
<b>Limit (%)</b>	<b>&gt;= 60%</b>	<b>&gt;= 60%</b>	<b>&gt;= 60%</b>	<b>&gt;= 60%</b>	<b>&gt;= 80%</b>	<b>&gt;= 70%</b>
<b>Average Probability of Radar Type 1~4 (%)</b>	<b>100% ( &gt;=80% )</b>					



<20MHz / 5520MHz >

(Detection = Y, No Detection = N)						
Trial Number	Type 1	Type 2	Type 3	Type 4	Type 5	Type 6
1	Y	Y	Y	Y	Y	Y
2	Y	Y	Y	Y	Y	Y
3	Y	Y	Y	Y	Y	Y
4	Y	Y	Y	Y	Y	Y
5	Y	Y	Y	Y	Y	Y
6	Y	Y	Y	Y	Y	Y
7	Y	Y	Y	Y	Y	Y
8	Y	Y	Y	Y	Y	Y
9	Y	Y	Y	Y	Y	Y
10	Y	Y	Y	Y	Y	Y
11	Y	Y	Y	Y	Y	Y
12	Y	Y	Y	Y	Y	Y
13	Y	Y	Y	Y	Y	Y
14	Y	Y	Y	Y	N	Y
15	Y	Y	Y	Y	Y	Y
16	Y	Y	Y	Y	N	Y
17	Y	Y	Y	Y	Y	Y
18	Y	Y	Y	Y	Y	Y
19	Y	Y	Y	Y	N	Y
20	Y	Y	Y	Y	Y	Y
21	Y	Y	Y	Y	Y	Y
22	Y	Y	Y	Y	Y	Y
23	Y	Y	Y	Y	Y	Y
24	Y	Y	Y	Y	Y	Y
25	Y	Y	Y	Y	Y	Y
26	Y	Y	Y	Y	Y	Y
27	Y	Y	Y	Y	Y	Y
28	Y	Y	Y	Y	Y	Y
29	Y	Y	Y	Y	Y	Y
30	Y	Y	Y	Y	Y	Y
<b>Trial of Detection</b>	<b>30/30</b>	<b>30/30</b>	<b>30/30</b>	<b>30/30</b>	<b>27/30</b>	<b>30/30</b>
<b>Probability (%)</b>	<b>100%</b>	<b>100%</b>	<b>100%</b>	<b>100%</b>	<b>90%</b>	<b>100%</b>
<b>Limit (%)</b>	<b>&gt;= 60%</b>	<b>&gt;= 60%</b>	<b>&gt;= 60%</b>	<b>&gt;= 60%</b>	<b>&gt;= 80%</b>	<b>&gt;= 70%</b>
<b>Average Probability of Radar Type 1~4 (%)</b>	<b>100 % ( &gt;=80% )</b>					



<30MHz / 5520MHz >

(Detection = Y, No Detection = N)						
Trial Number	Type 1	Type 2	Type 3	Type 4	Type 5	Type 6
1	Y	Y	N	Y	Y	Y
2	Y	Y	Y	N	Y	Y
3	Y	Y	Y	Y	Y	Y
4	Y	Y	Y	Y	Y	Y
5	Y	Y	Y	Y	Y	Y
6	Y	Y	Y	Y	Y	Y
7	Y	Y	Y	Y	Y	Y
8	Y	Y	Y	Y	Y	Y
9	Y	Y	Y	Y	Y	Y
10	Y	Y	Y	Y	Y	Y
11	Y	Y	N	Y	Y	Y
12	Y	Y	Y	Y	Y	Y
13	Y	Y	Y	Y	Y	Y
14	Y	Y	Y	Y	Y	Y
15	Y	Y	Y	Y	Y	Y
16	Y	Y	Y	Y	Y	Y
17	Y	Y	Y	Y	Y	Y
18	Y	Y	Y	Y	Y	Y
19	Y	Y	Y	Y	Y	Y
20	Y	Y	Y	Y	Y	Y
21	Y	Y	Y	Y	Y	Y
22	Y	Y	Y	Y	Y	Y
23	Y	Y	Y	Y	Y	Y
24	Y	Y	Y	N	Y	Y
25	Y	Y	Y	Y	Y	Y
26	Y	Y	Y	Y	Y	Y
27	Y	Y	Y	Y	Y	Y
28	Y	Y	Y	Y	Y	Y
29	Y	Y	Y	Y	Y	Y
30	Y	Y	Y	Y	Y	Y
<b>Trial of Detection</b>	<b>30/30</b>	<b>30/30</b>	<b>28/30</b>	<b>28/30</b>	<b>30/30</b>	<b>30/30</b>
<b>Probability (%)</b>	<b>100%</b>	<b>100%</b>	<b>93.33%</b>	<b>93.33%</b>	<b>100%</b>	<b>100%</b>
<b>Limit (%)</b>	<b>&gt;= 60%</b>	<b>&gt;= 60%</b>	<b>&gt;= 60%</b>	<b>&gt;= 60%</b>	<b>&gt;= 80%</b>	<b>&gt;= 70%</b>
<b>Average Probability of Radar Type 1~4 (%)</b>	<b>96.67% ( &gt;=80% )</b>					



<40MHz / 5520MHz >

(Detection = Y, No Detection = N)						
Trial Number	Type 1	Type 2	Type 3	Type 4	Type 5	Type 6
1	Y	Y	Y	Y	Y	Y
2	Y	Y	Y	Y	Y	Y
3	Y	Y	Y	N	Y	Y
4	Y	Y	Y	Y	Y	Y
5	Y	Y	Y	Y	Y	Y
6	Y	Y	Y	Y	Y	Y
7	Y	Y	Y	Y	Y	Y
8	Y	Y	Y	Y	Y	Y
9	Y	Y	Y	Y	Y	Y
10	Y	Y	Y	Y	Y	Y
11	Y	Y	Y	Y	Y	Y
12	Y	Y	Y	Y	Y	Y
13	Y	Y	Y	Y	Y	Y
14	Y	Y	Y	N	Y	Y
15	Y	Y	Y	N	Y	Y
16	Y	Y	Y	Y	Y	Y
17	Y	Y	N	Y	Y	Y
18	Y	Y	Y	Y	Y	Y
19	Y	Y	Y	Y	Y	Y
20	Y	Y	Y	N	Y	Y
21	Y	Y	Y	Y	Y	Y
22	Y	Y	Y	Y	Y	Y
23	Y	Y	Y	Y	Y	Y
24	Y	Y	N	Y	Y	Y
25	Y	Y	Y	Y	Y	Y
26	Y	Y	Y	Y	Y	Y
27	Y	Y	Y	N	Y	Y
28	Y	Y	Y	Y	Y	Y
29	Y	Y	Y	Y	Y	Y
30	Y	Y	Y	Y	Y	Y
<b>Trial of Detection</b>	<b>30/30</b>	<b>30/30</b>	<b>28/30</b>	<b>25/30</b>	<b>30/30</b>	<b>30/30</b>
<b>Probability (%)</b>	<b>100%</b>	<b>100%</b>	<b>93.33%</b>	<b>83.33%</b>	<b>100%</b>	<b>100%</b>
<b>Limit (%)</b>	<b>&gt;= 60%</b>	<b>&gt;= 60%</b>	<b>&gt;= 60%</b>	<b>&gt;= 60%</b>	<b>&gt;= 80%</b>	<b>&gt;= 70%</b>
<b>Average Probability of Radar Type 1~4 (%)</b>	<b>94.17% ( &gt;=80% )</b>					



<50MHz / 5520MHz >

(Detection = Y, No Detection = N)						
Trial Number	Type 1	Type 2	Type 3	Type 4	Type 5	Type 6
1	Y	Y	Y	Y	Y	Y
2	Y	Y	Y	Y	Y	Y
3	Y	Y	Y	Y	Y	Y
4	Y	Y	Y	Y	Y	Y
5	Y	Y	Y	Y	Y	Y
6	Y	Y	Y	Y	Y	Y
7	Y	Y	Y	Y	Y	Y
8	Y	Y	Y	Y	Y	Y
9	Y	Y	Y	Y	Y	Y
10	Y	Y	Y	Y	Y	Y
11	Y	Y	Y	N	Y	Y
12	Y	Y	Y	Y	Y	Y
13	Y	Y	Y	Y	Y	Y
14	Y	Y	Y	Y	Y	Y
15	Y	Y	Y	Y	Y	Y
16	Y	Y	Y	Y	Y	Y
17	Y	Y	Y	Y	Y	Y
18	Y	Y	Y	Y	Y	Y
19	Y	Y	Y	Y	Y	Y
20	Y	Y	Y	Y	Y	Y
21	Y	Y	Y	Y	Y	Y
22	Y	Y	Y	Y	Y	Y
23	Y	Y	Y	Y	Y	Y
24	Y	Y	Y	Y	Y	Y
25	Y	Y	Y	Y	Y	Y
26	Y	Y	Y	Y	Y	Y
27	Y	Y	Y	Y	Y	Y
28	Y	Y	Y	Y	Y	Y
29	Y	Y	Y	Y	Y	Y
30	Y	Y	Y	Y	Y	Y
<b>Trial of Detection</b>	<b>30/30</b>	<b>30/30</b>	<b>30/30</b>	<b>29/30</b>	<b>30/30</b>	<b>30/30</b>
<b>Probability (%)</b>	<b>100%</b>	<b>100%</b>	<b>100%</b>	<b>96.67%</b>	<b>100%</b>	<b>100%</b>
<b>Limit (%)</b>	<b>&gt;= 60%</b>	<b>&gt;= 60%</b>	<b>&gt;= 60%</b>	<b>&gt;= 60%</b>	<b>&gt;= 80%</b>	<b>&gt;= 70%</b>
<b>Average Probability of Radar Type 1~4 (%)</b>	<b>99.17% ( &gt;=80% )</b>					



<60MHz / 5520MHz >

(Detection = Y, No Detection = N)						
Trial Number	Type 1	Type 2	Type 3	Type 4	Type 5	Type 6
1	Y	Y	Y	Y	Y	Y
2	Y	Y	Y	Y	Y	Y
3	Y	Y	Y	Y	Y	Y
4	Y	Y	Y	Y	Y	Y
5	Y	Y	Y	Y	Y	Y
6	Y	Y	Y	Y	Y	Y
7	Y	Y	Y	Y	Y	Y
8	Y	Y	Y	Y	Y	Y
9	Y	Y	Y	Y	Y	Y
10	Y	Y	Y	Y	Y	Y
11	Y	Y	Y	Y	Y	Y
12	Y	Y	N	Y	Y	Y
13	Y	Y	Y	Y	Y	Y
14	Y	Y	Y	Y	Y	Y
15	Y	Y	Y	Y	Y	Y
16	Y	Y	Y	Y	Y	Y
17	Y	Y	Y	Y	Y	Y
18	Y	Y	Y	Y	N	Y
19	Y	Y	Y	Y	Y	Y
20	Y	Y	Y	Y	Y	Y
21	Y	Y	Y	Y	Y	Y
22	Y	Y	Y	Y	Y	Y
23	Y	Y	Y	Y	Y	Y
24	Y	Y	Y	Y	Y	Y
25	Y	Y	Y	Y	Y	Y
26	Y	Y	Y	Y	Y	Y
27	Y	Y	Y	Y	Y	Y
28	Y	Y	Y	Y	Y	Y
29	Y	Y	Y	Y	Y	Y
30	Y	Y	Y	Y	Y	Y
<b>Trial of Detection</b>	<b>30/30</b>	<b>30/30</b>	<b>29/30</b>	<b>30/30</b>	<b>29/30</b>	<b>30/30</b>
<b>Probability (%)</b>	<b>100%</b>	<b>100%</b>	<b>96.67%</b>	<b>100%</b>	<b>96.67%</b>	<b>100%</b>
<b>Limit (%)</b>	<b>&gt;= 60%</b>	<b>&gt;= 60%</b>	<b>&gt;= 60%</b>	<b>&gt;= 60%</b>	<b>&gt;= 80%</b>	<b>&gt;= 70%</b>
<b>Average Probability of Radar Type 1~4 (%)</b>	<b>99.17% ( &gt;=80% )</b>					



<80MHz / 5520MHz >

(Detection = Y, No Detection = N)						
Trial Number	Type 1	Type 2	Type 3	Type 4	Type 5	Type 6
1	Y	Y	Y	Y	Y	Y
2	Y	Y	Y	N	Y	Y
3	Y	Y	N	Y	Y	Y
4	Y	Y	Y	Y	Y	Y
5	Y	Y	Y	Y	Y	Y
6	Y	Y	Y	Y	Y	Y
7	Y	Y	N	Y	Y	Y
8	Y	Y	Y	Y	Y	Y
9	Y	Y	Y	Y	Y	Y
10	Y	Y	N	N	Y	Y
11	Y	Y	Y	Y	Y	Y
12	Y	Y	Y	Y	Y	Y
13	Y	Y	Y	Y	Y	Y
14	Y	N	Y	Y	Y	Y
15	Y	N	Y	Y	Y	Y
16	Y	Y	Y	Y	Y	Y
17	Y	Y	Y	Y	Y	Y
18	Y	Y	Y	Y	Y	Y
19	Y	Y	Y	Y	Y	Y
20	Y	Y	N	N	Y	Y
21	Y	Y	Y	Y	Y	Y
22	Y	Y	Y	Y	Y	Y
23	Y	Y	Y	Y	Y	Y
24	Y	Y	Y	Y	Y	Y
25	Y	Y	Y	N	Y	Y
26	Y	Y	N	Y	Y	Y
27	Y	Y	Y	Y	Y	Y
28	Y	Y	Y	Y	Y	Y
29	Y	Y	Y	Y	Y	Y
30	Y	Y	Y	Y	Y	Y
<b>Trial of Detection</b>	<b>30/30</b>	<b>28/30</b>	<b>25/30</b>	<b>26/30</b>	<b>30/30</b>	<b>30/30</b>
<b>Probability (%)</b>	<b>100%</b>	<b>93.33%</b>	<b>83.33%</b>	<b>86.67%</b>	<b>100%</b>	<b>100%</b>
<b>Limit (%)</b>	<b>&gt;= 60%</b>	<b>&gt;= 60%</b>	<b>&gt;= 60%</b>	<b>&gt;= 60%</b>	<b>&gt;= 80%</b>	<b>&gt;= 70%</b>
<b>Average Probability of Radar Type 1~4 (%)</b>	<b>90.83% ( &gt;=80% )</b>					



## 4 List of Measuring Equipment

Instrument	Manufacturer	Model No.	Serial No.	Characteristics	Calibration Date	Test Date	Due Date	Remark
Spectrum Analyzer	Agilent	N9010A	MY56070412	10Hz~7GHz	Aug. 05, 2016	Apr. 21, 2017 ~ Apr. 29, 2017	Aug. 04, 2017	DFS (DFS02-HY)
Signal Generator	Keysight	N5182B	MY56200377	9kHz~6GHz	Mar. 17, 2017	Apr. 21, 2017 ~ Apr. 29, 2017	Mar. 16, 2018	DFS (DFS02-HY)