

Polarity Align



NanoBeam™ M5

Ⓢ F-3



M/N: NBE-M5-19 FCC ID: SWX-NBESM19
24V-0.5A POE IC: 6545A-NBESM19

This device complies with Part 15 of FCC rules.
Operation is subject to the following 2 conditions:
1) this device may not cause harmful interference and,
2) this device must accept any interference received,
including interference that may cause undesired
operation.

MAC ID:



NanoBeam M5-19 Silkscreen Artwork



File Name: NBE-M5-19 Artwork v03

Date: 11/21/14

ME: Addison Su

Colors:

Revision: v03 - Changed FCC and IC IDs

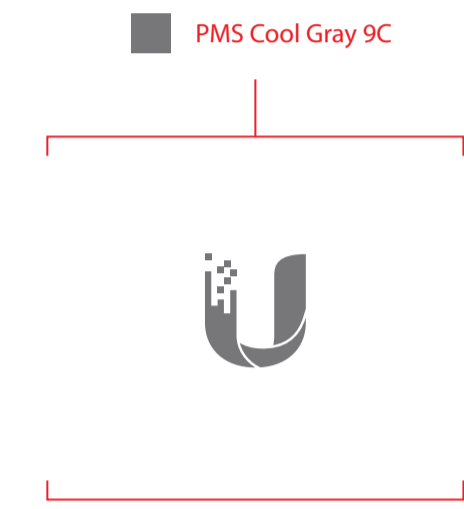
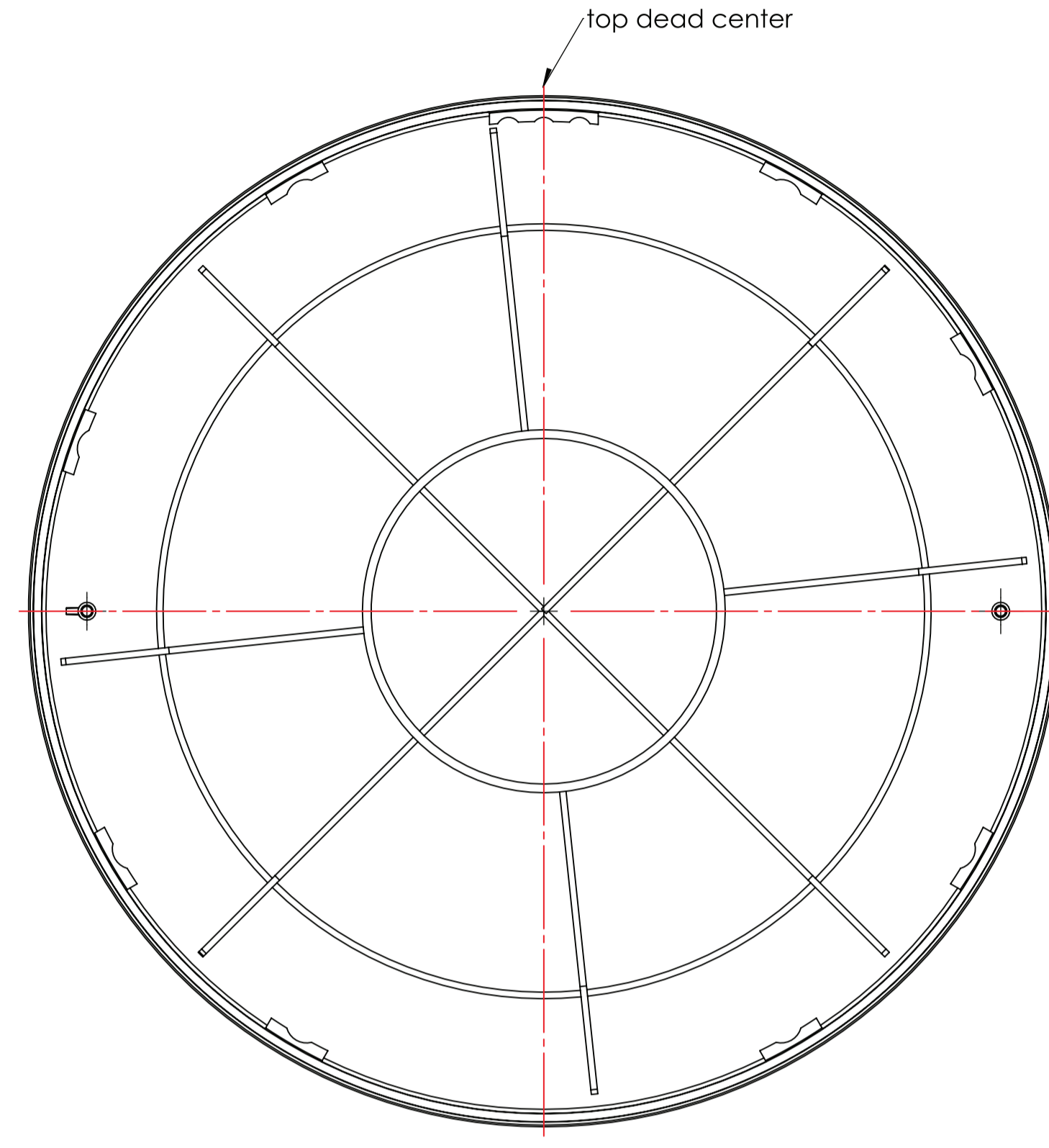
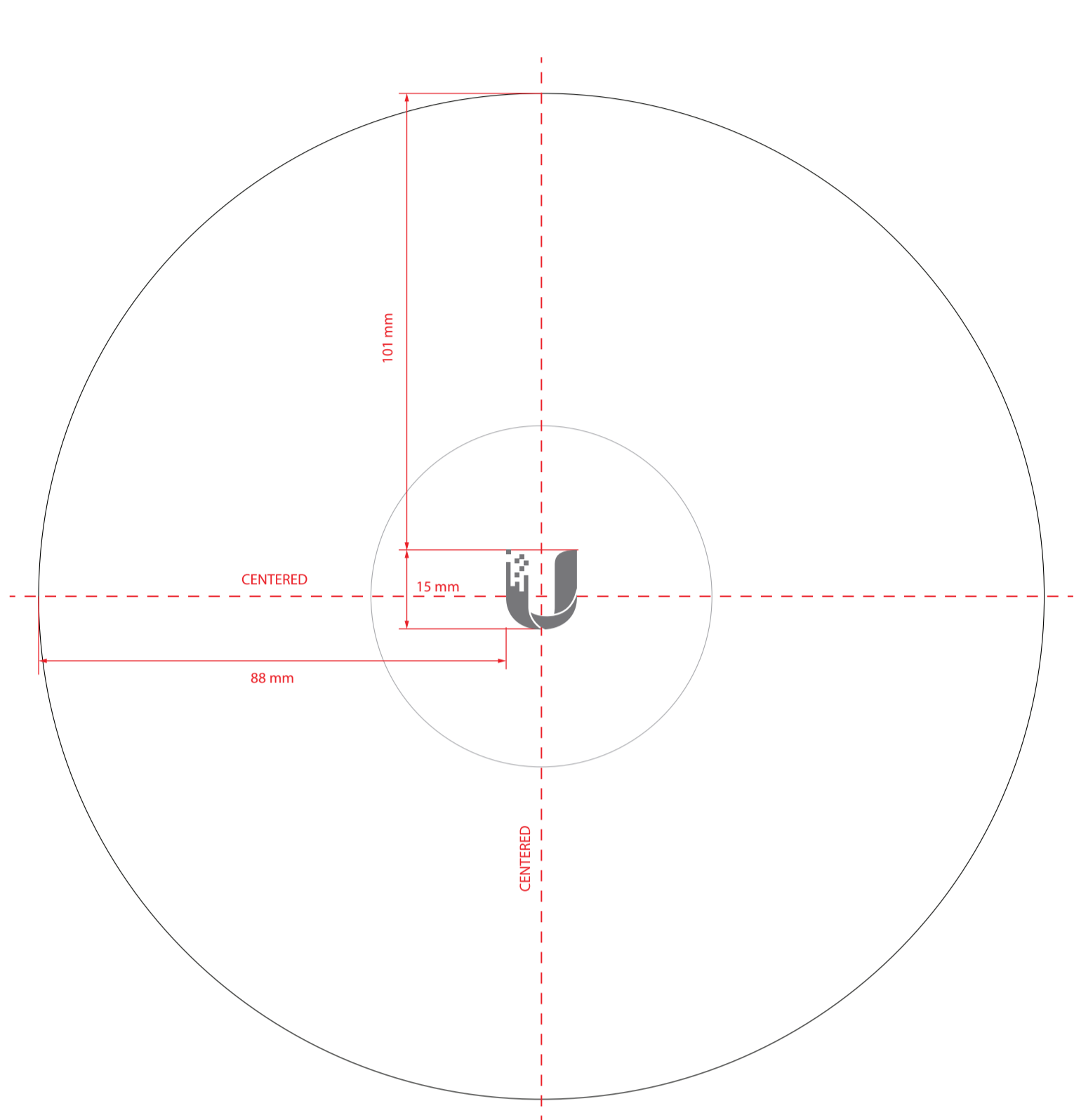
PM: Letitia Chiu



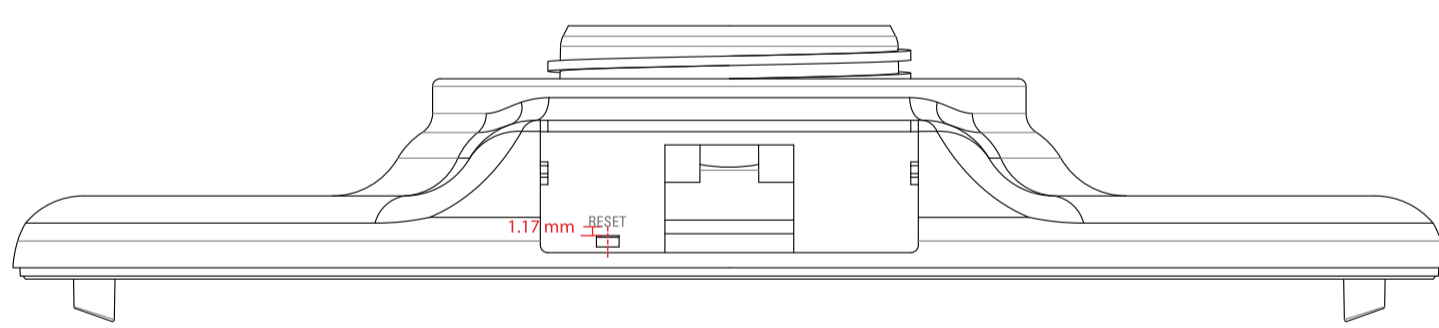
Designer: Vivian Liu

Arena Number: 388-00010

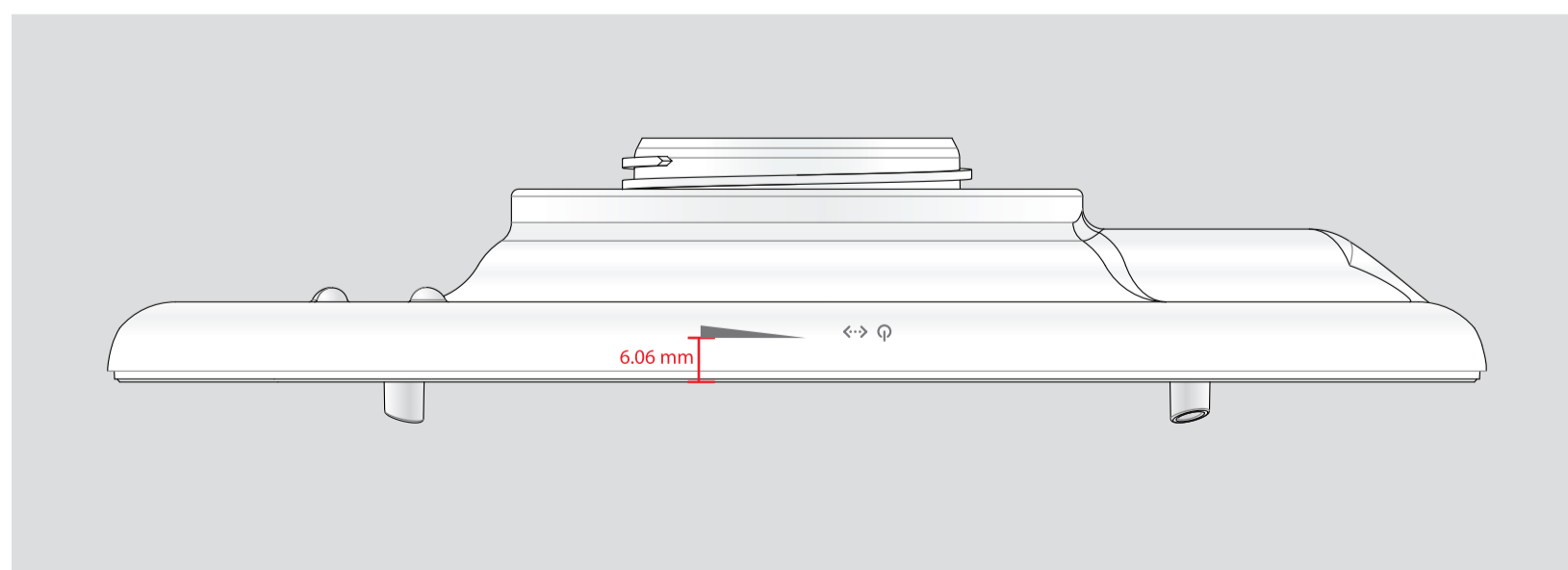
COVER VIEW



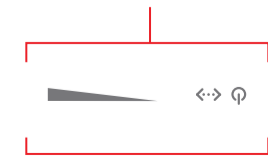
SIDE VIEW (RESET BUTTON)



PMS Cool Gray 9C



PMS Cool Gray 9C



BOTTOM VIEW

