

Polarity Align



NanoBeam™ M5



UBIQUITI
NETWORKS



M/N: NBE-M5-16 FCC ID: SWX-NBE5M16
24V ~ 0.5A PDE IC: 6545A-NBE5M16

This device complies with Part 15 of FCC rules.
Operation is subject to the following 2 conditions:
1) this device may not cause harmful interference and,
2) this device must accept any interference received,
including interference that may cause undesired
operation.

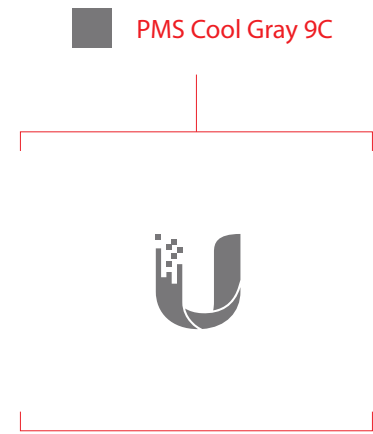
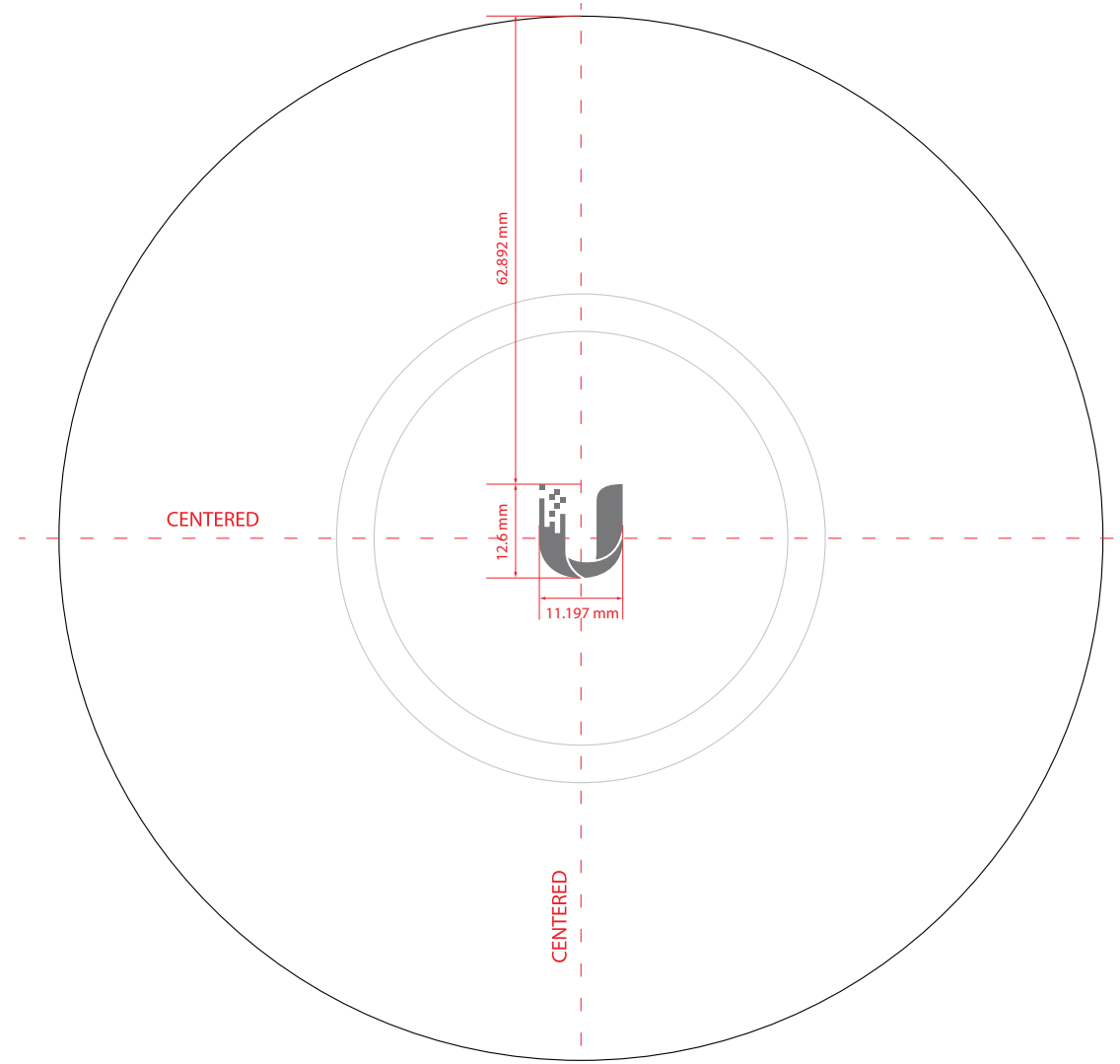
CE ! U ~~X~~

MAC ID:

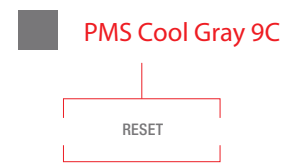
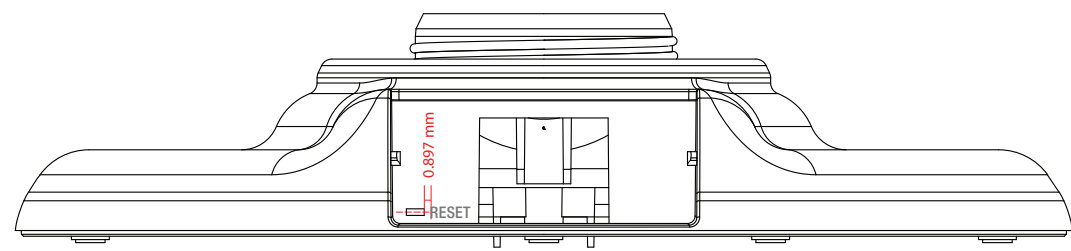
NanoBeam M5-16 Silkscreen Artwork

	File Name: NBE-M5-16 Artwork v03		
	Date: 11/21/14	ME: Addison Su	Colors: 
	Revision: v03 - Change FCC and IC IDs	PM: Letitia Chiu	
	Designer: Vivian Liu	Arena Number: 388-00065	

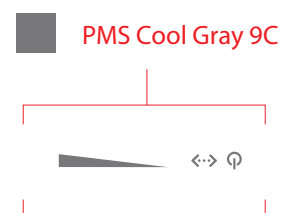
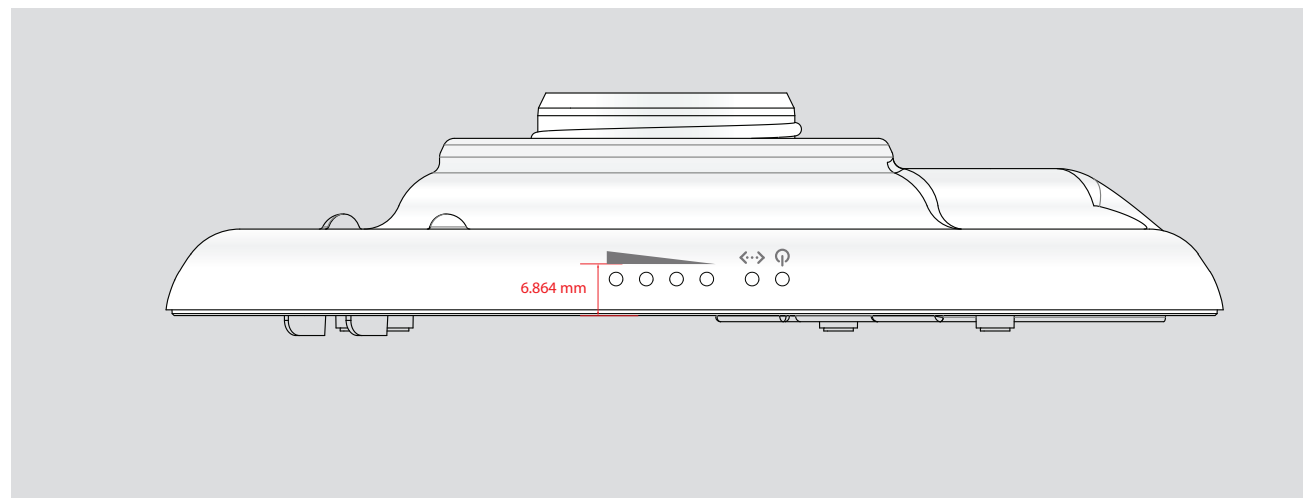
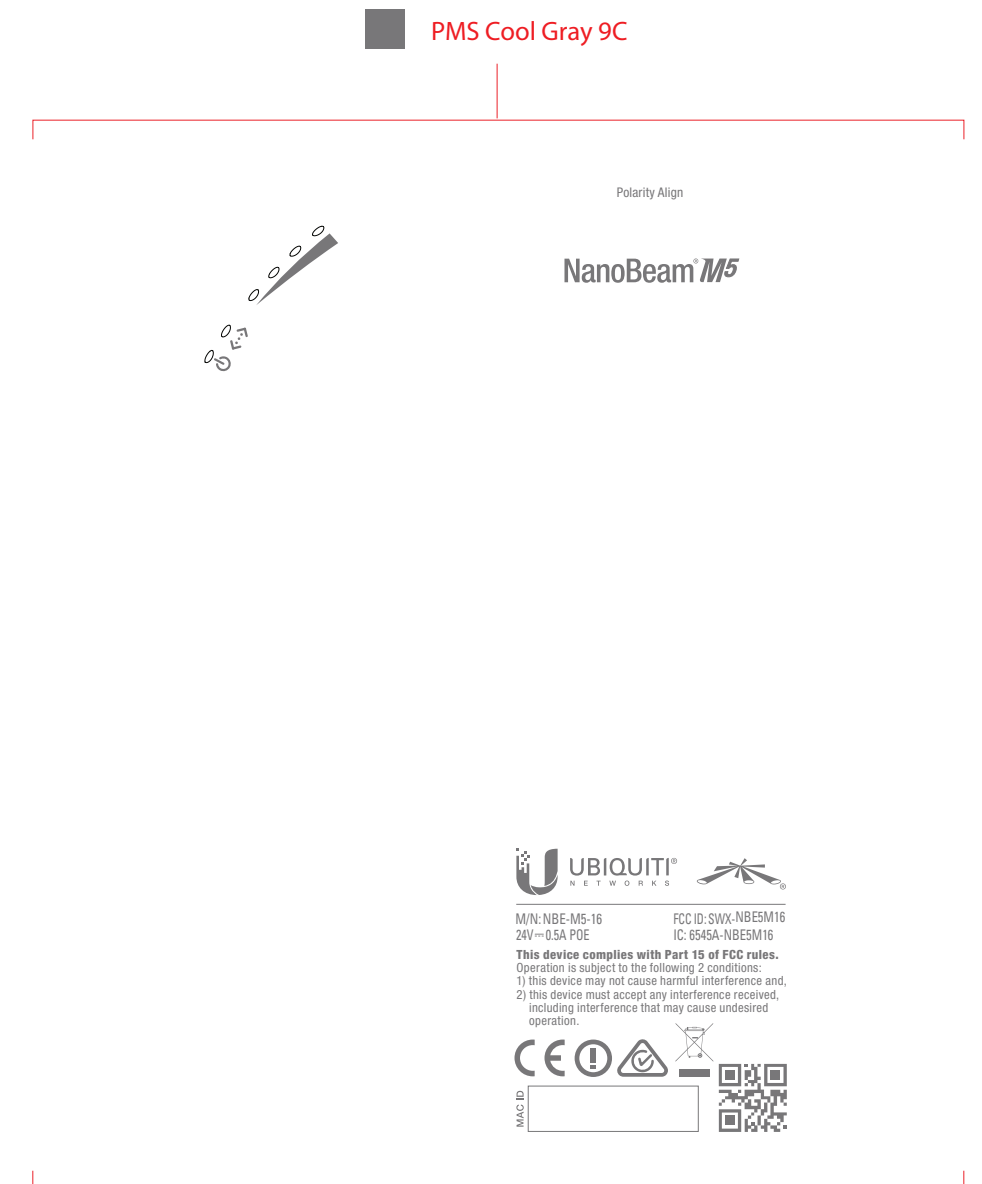
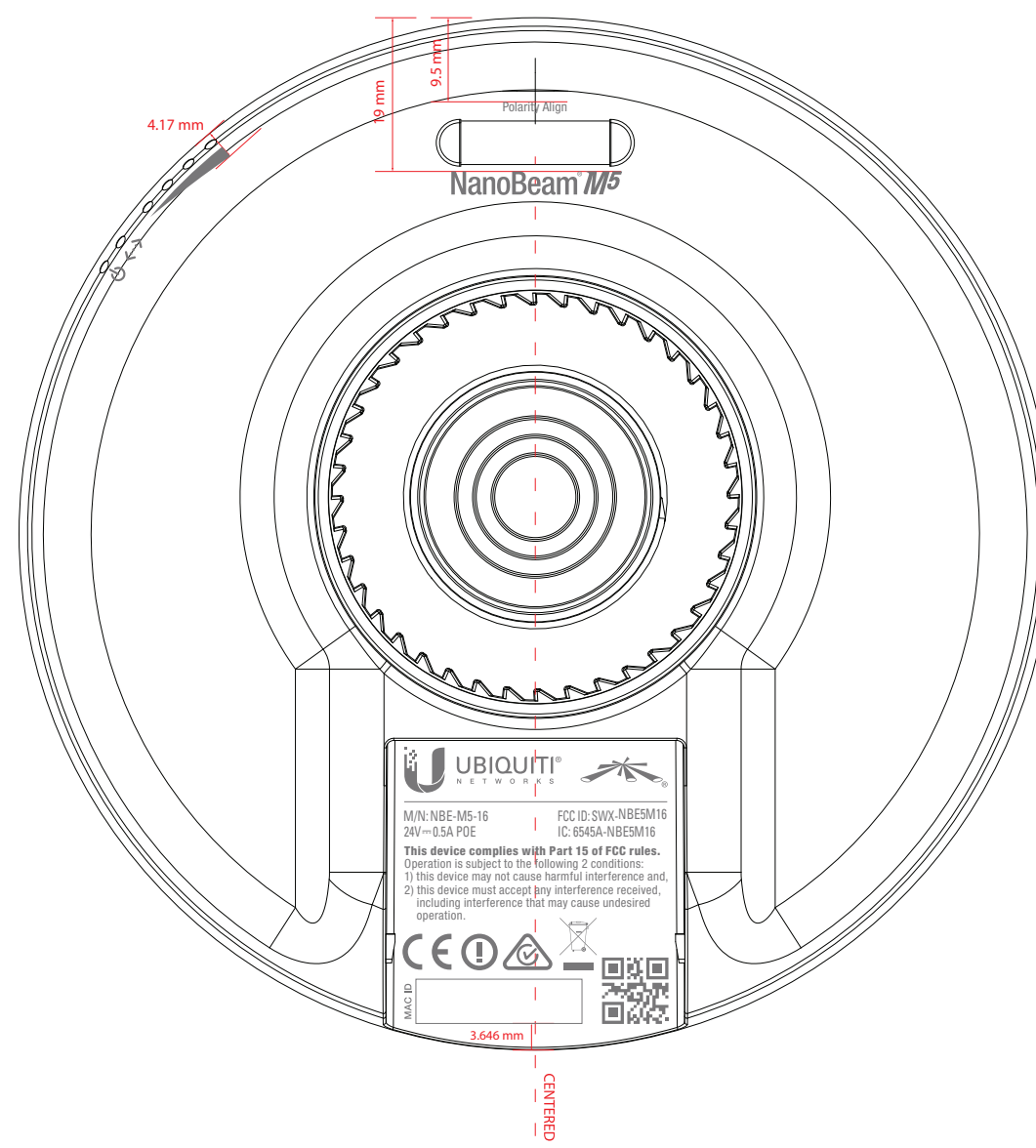
COVER VIEW




SIDE VIEW



BOTTOM VIEW




 M/N: NBE-M5-16 FCC ID: SWX-NBESM16
 24V-0.5A POE IC: 6545A-NBESM16
 This device complies with Part 15 of FCC rules.
 Operation is subject to the following 2 conditions:
 1) This device may not cause harmful interference and,
 2) This device must accept any interference received,
 including interference that may cause undesired
 operation.

