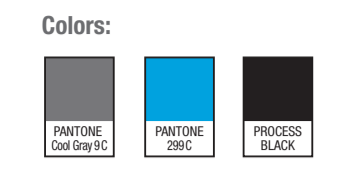


NBE-5AC-19 Silkscreen Artwork

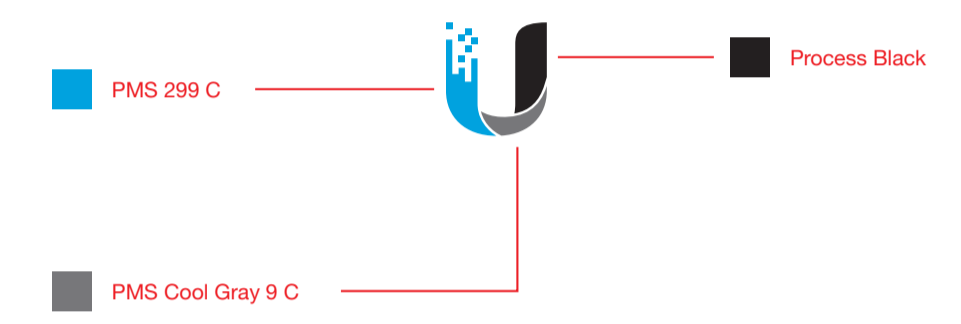
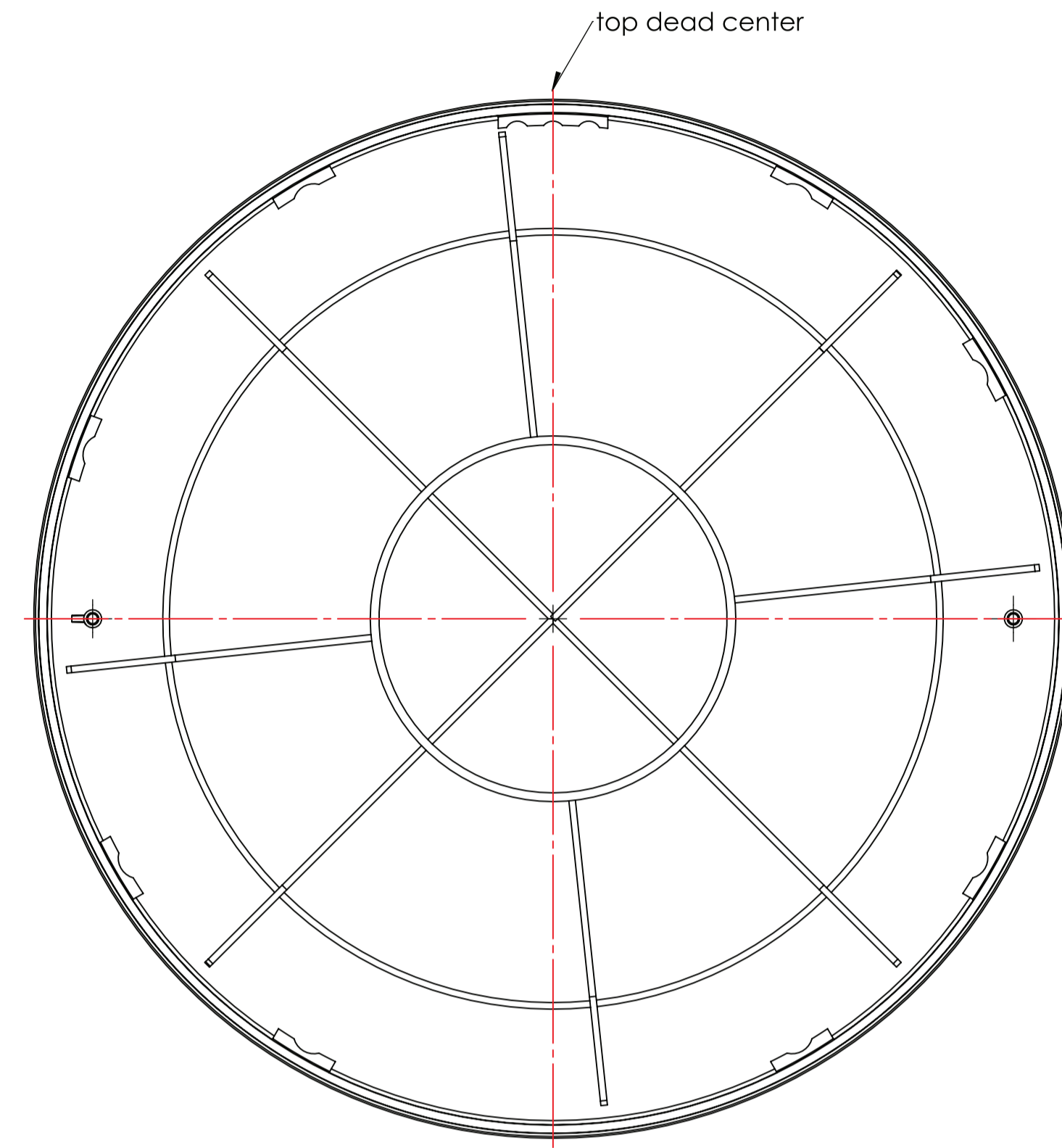
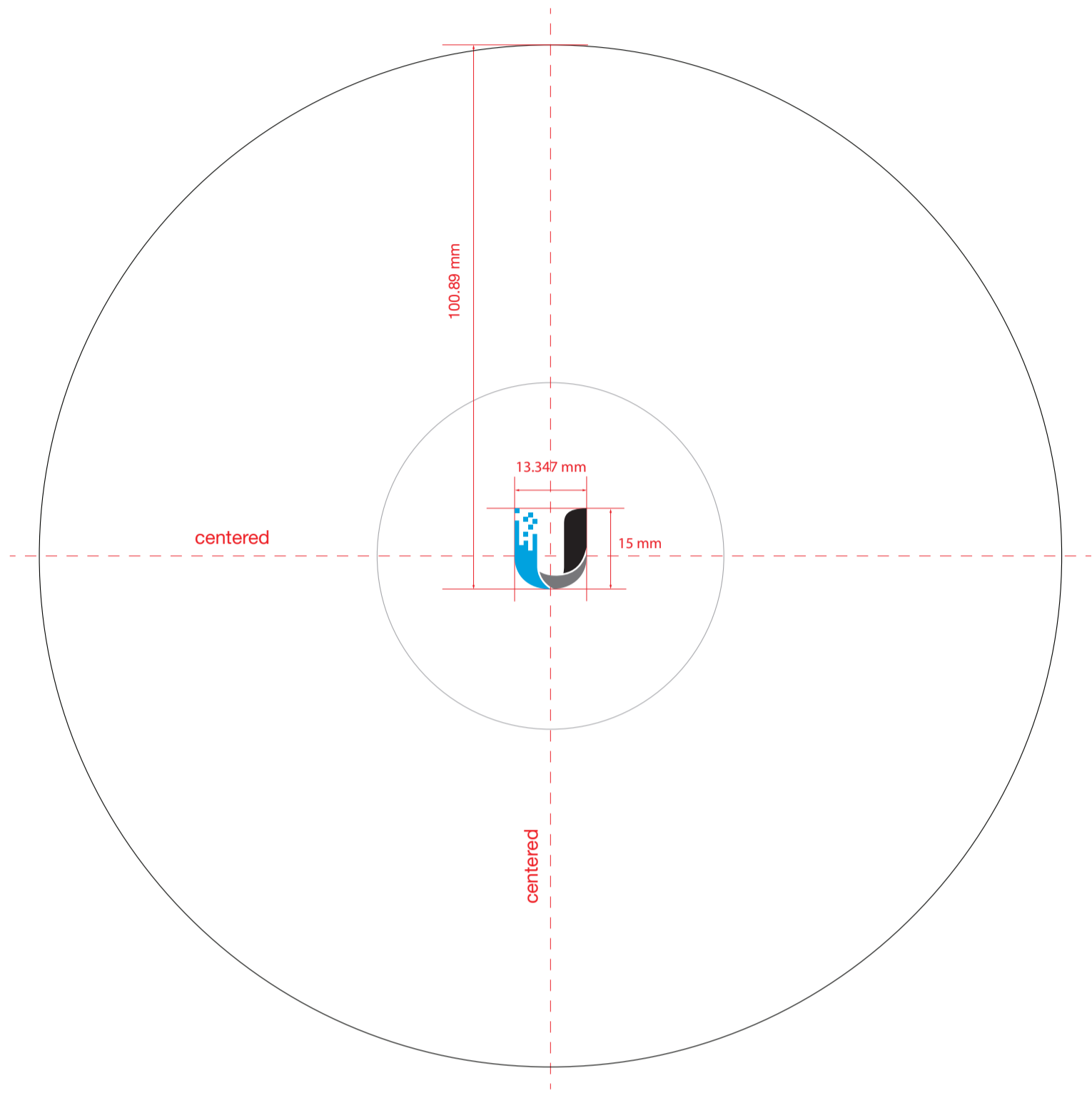


File Name: NBE-5AC-19 Silkscreen Artwork v04
 Date: 11/20/14
 Revision: v04 - Change FCC and IC IDs
 Designer: Vivian Liu

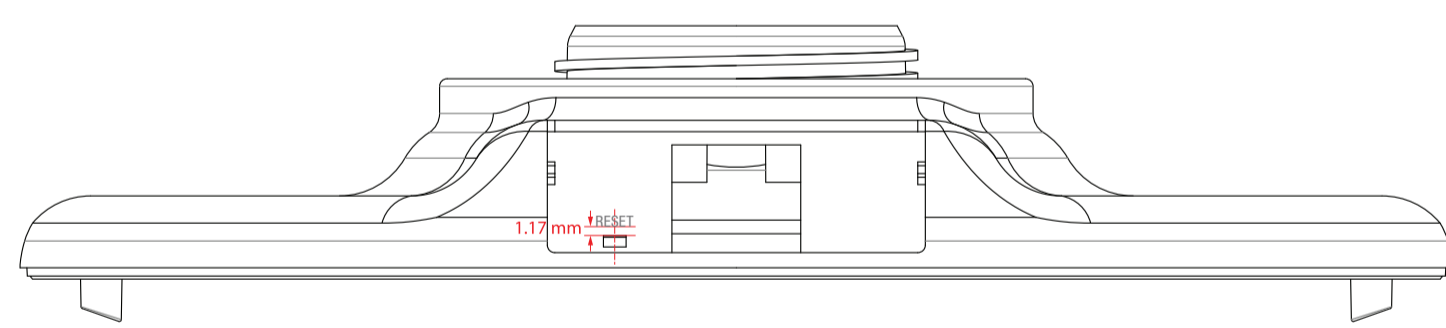
ME: Shawn Chen
 PM: Letitia Chiu
 Arena Number: 388-00036



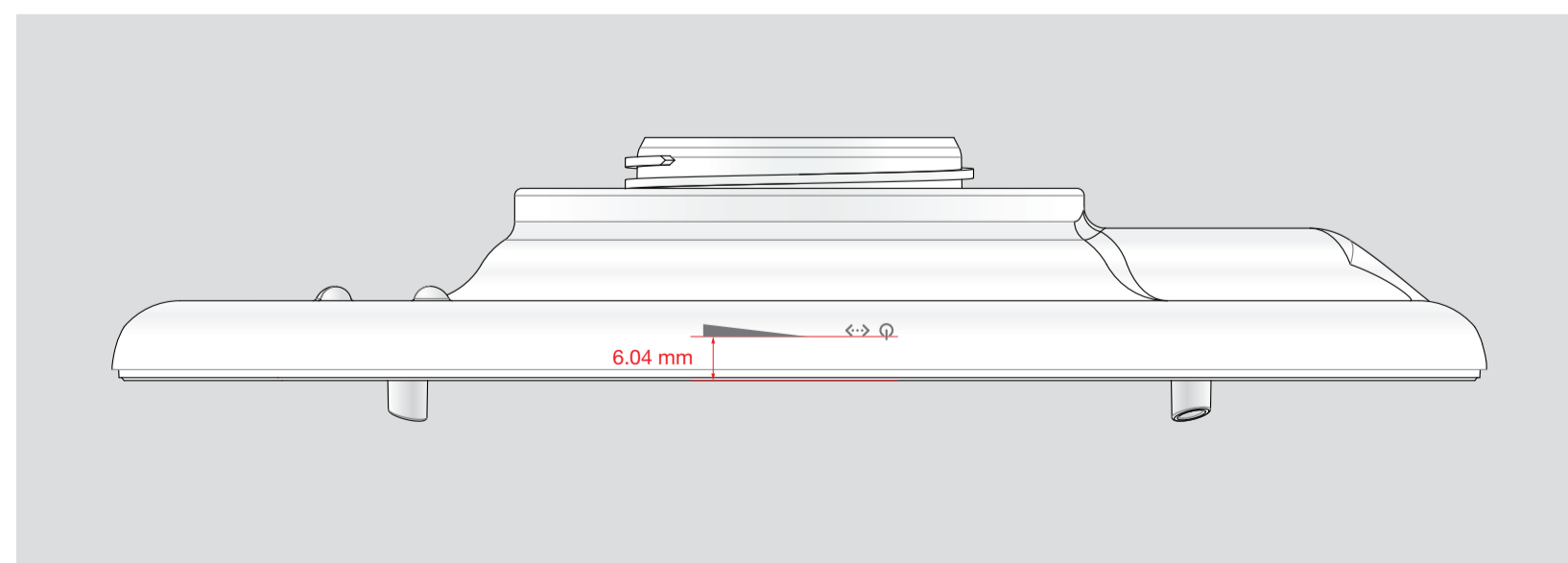
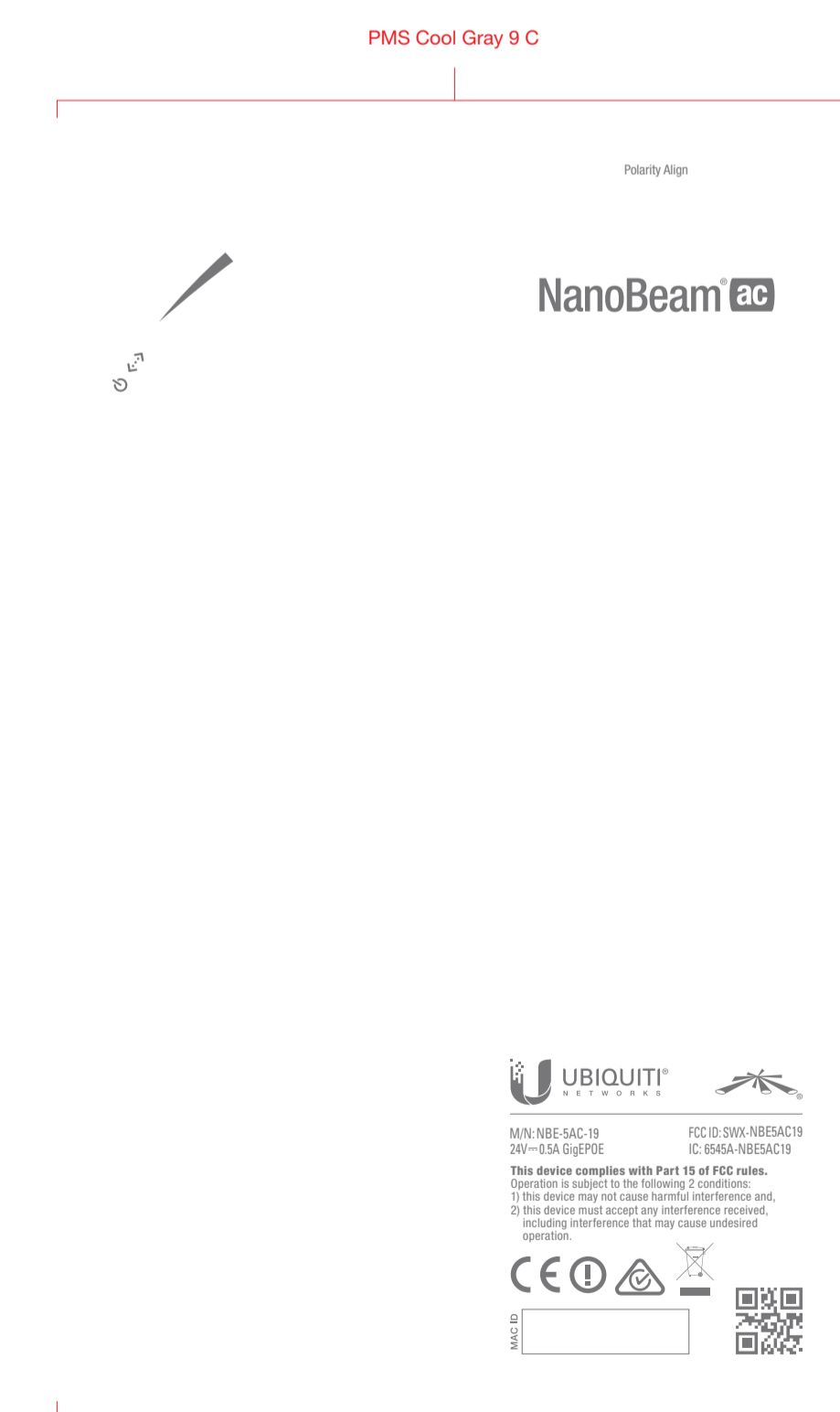
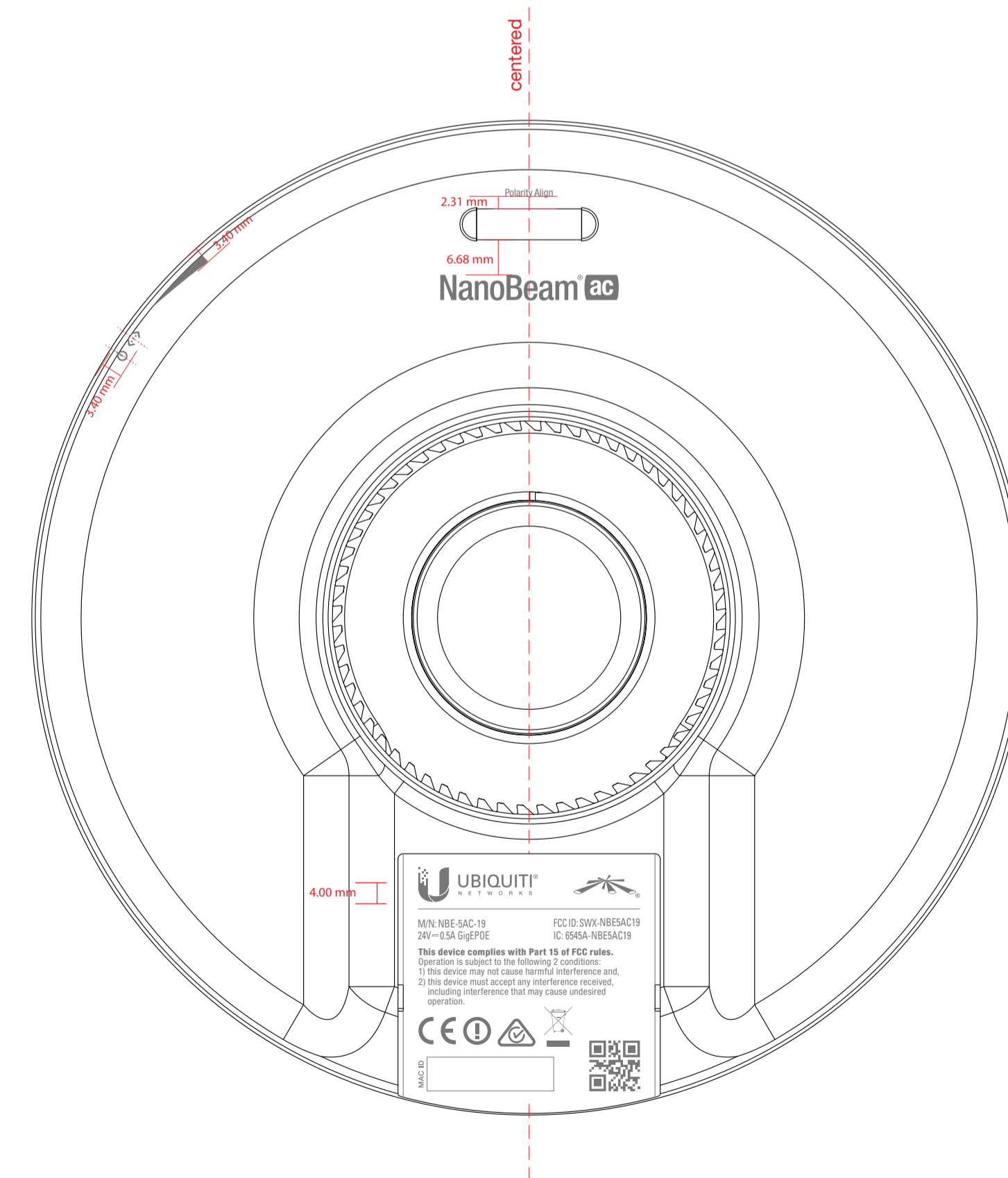
COVER VIEW



SIDE VIEW (RESET BUTTON)



BOTTOM VIEW



Priority Alert



NanoBeam ac

6 3 9



Model: NBE-AC-19
24V-USA-16-POE

Part #: 24V-USA-16-POE

FCID: 24V-USA-16-POE
IC: 1654A-NBE19AC19

This device complies with Part 15 of FCC rules.
Operation is subject to the following 2 conditions:
1) This device may not cause harmful interference and
2) This device must accept any interference, including that from radio transmitters, which may be applied.



MADE IN CHINA

