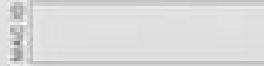


LiteBeam™ ac

M/N: LBE-5AC-OMNI



24V-0.5A GigE PoE
FCC ID: SWX-LBESAC
IC: 6545A-LBESAC



This device complies with Part 15 of FCC rules.
Operation is subject to the following 2 conditions:
1) this device may not cause harmful interference and,
2) this device must accept any interference received,
including interference that may cause undesired
operation.



LBE-5AC-Omni Device Artwork



File Name: LBE-5AC-Omni Device Artwork v02

Date: 7/30/2015

ME: Addison Su

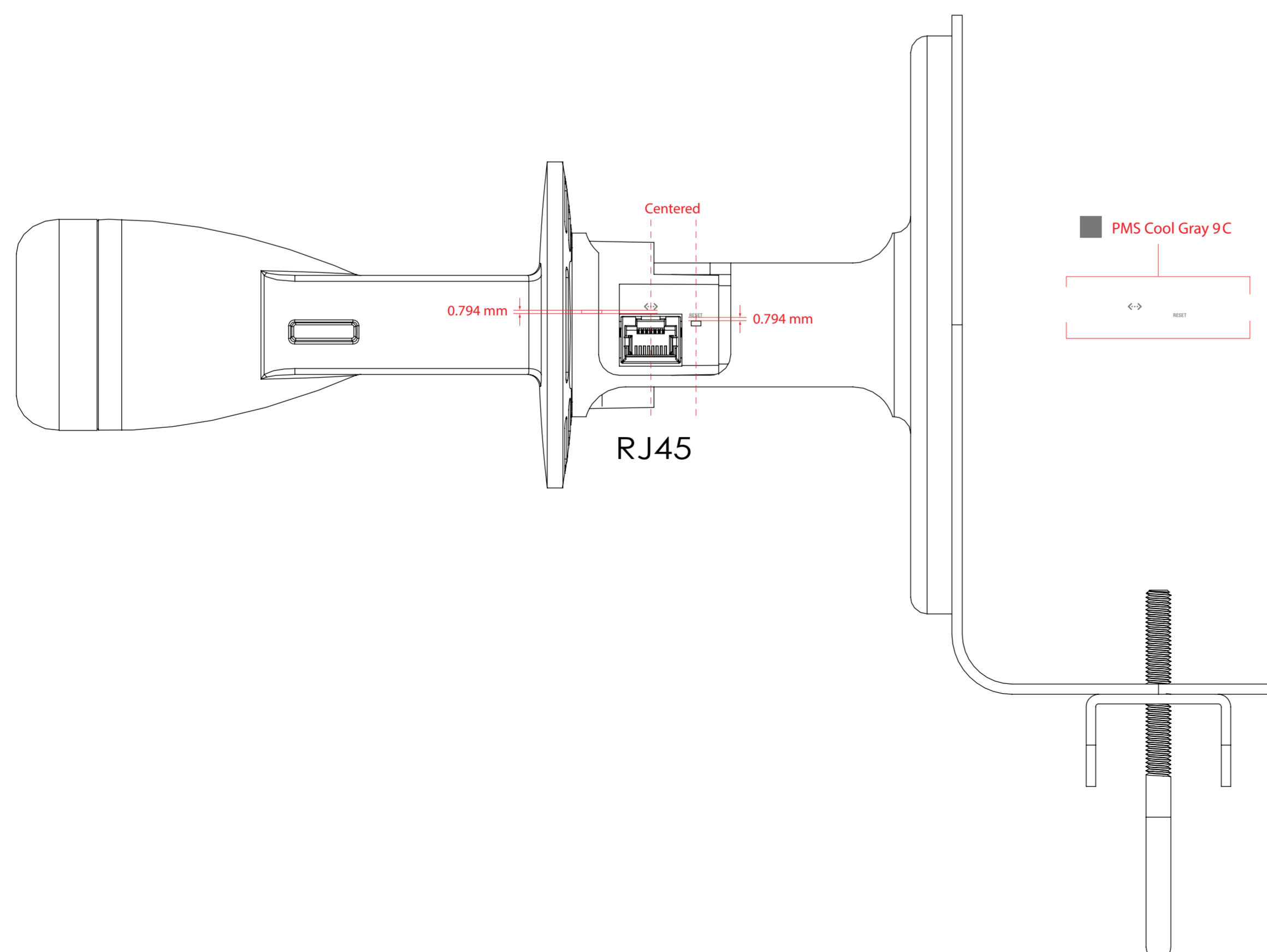
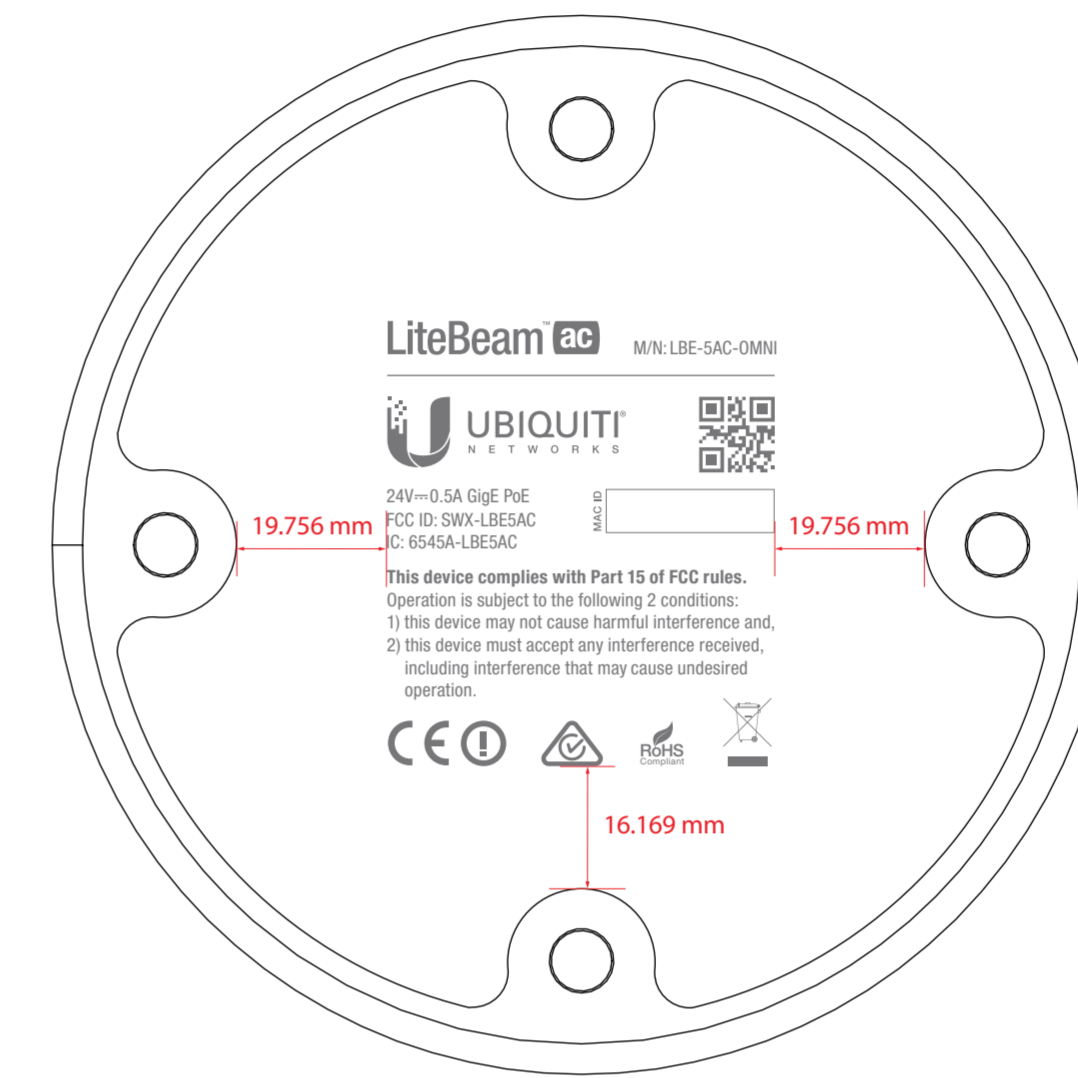
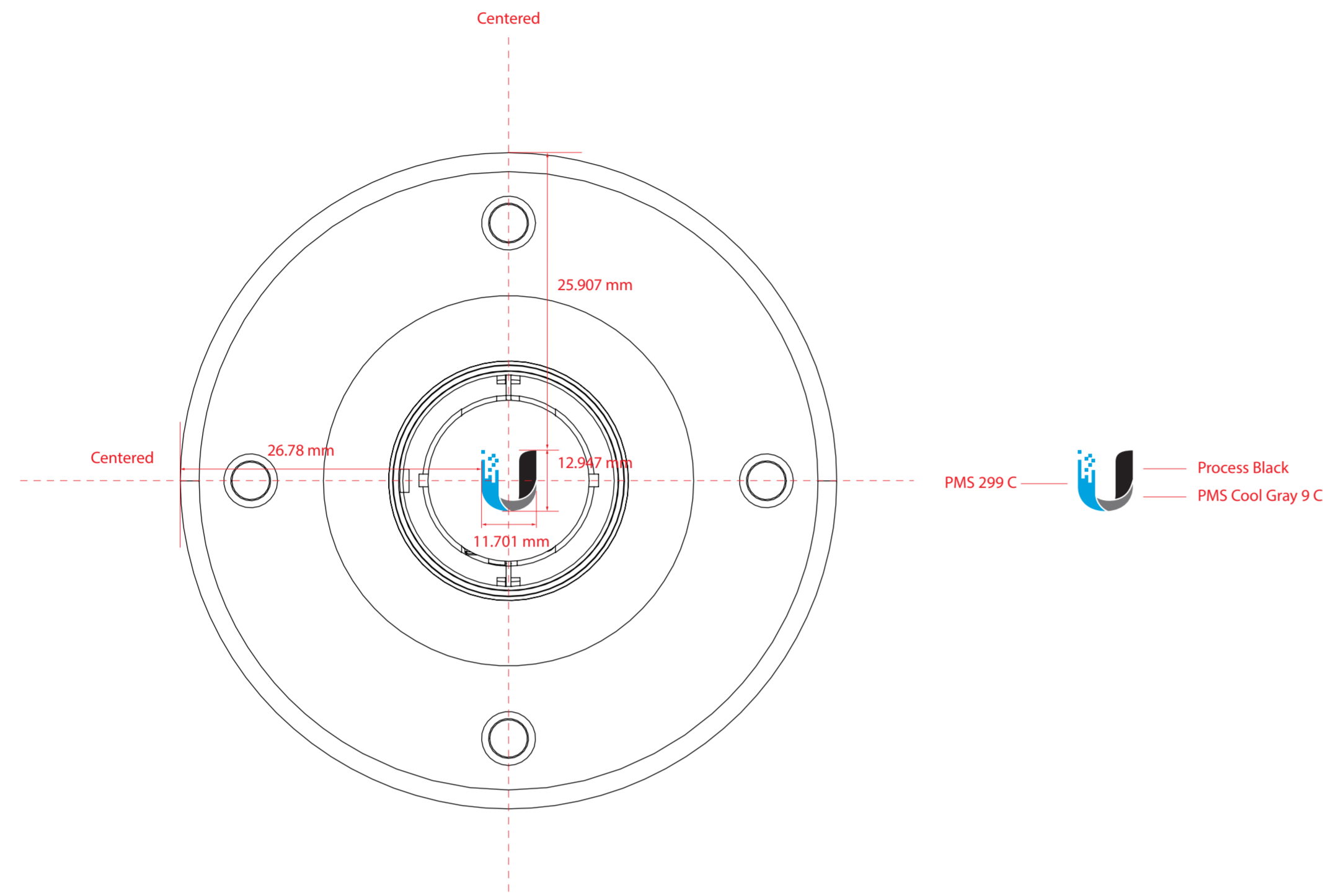
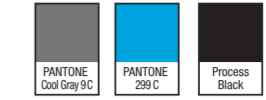
Revision: v02 - Revised artwork

PM: Mike Taylor


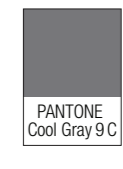
Designer: Vivian Liu

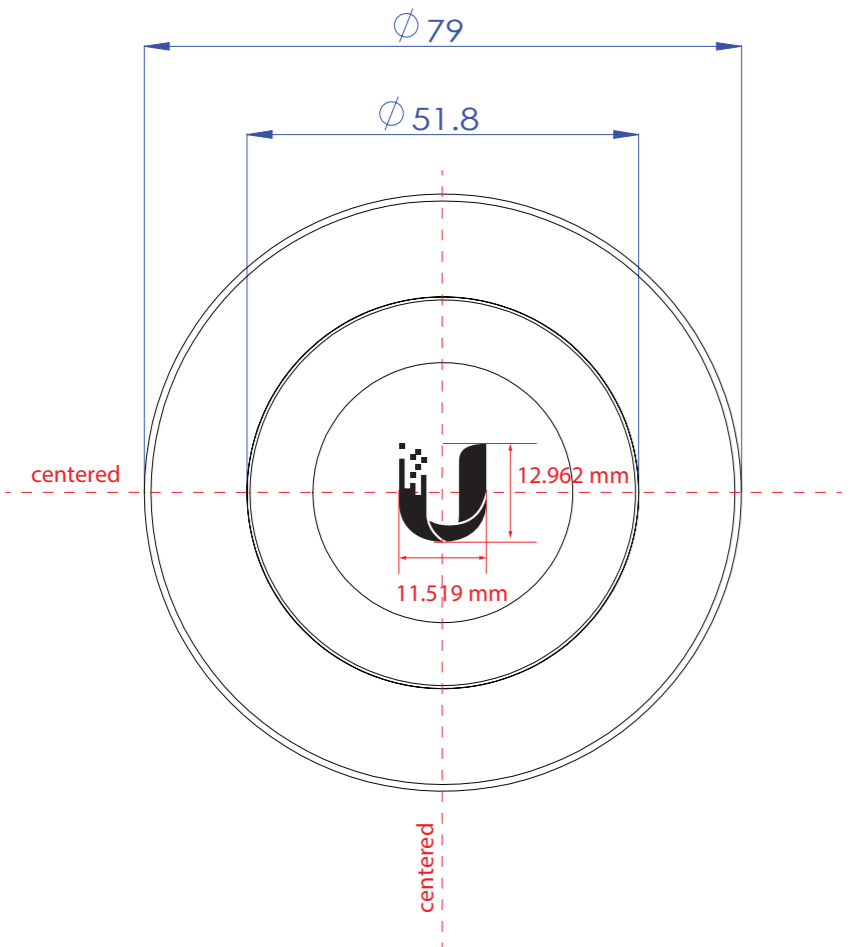
Arena Number: 388-00059


Colors:

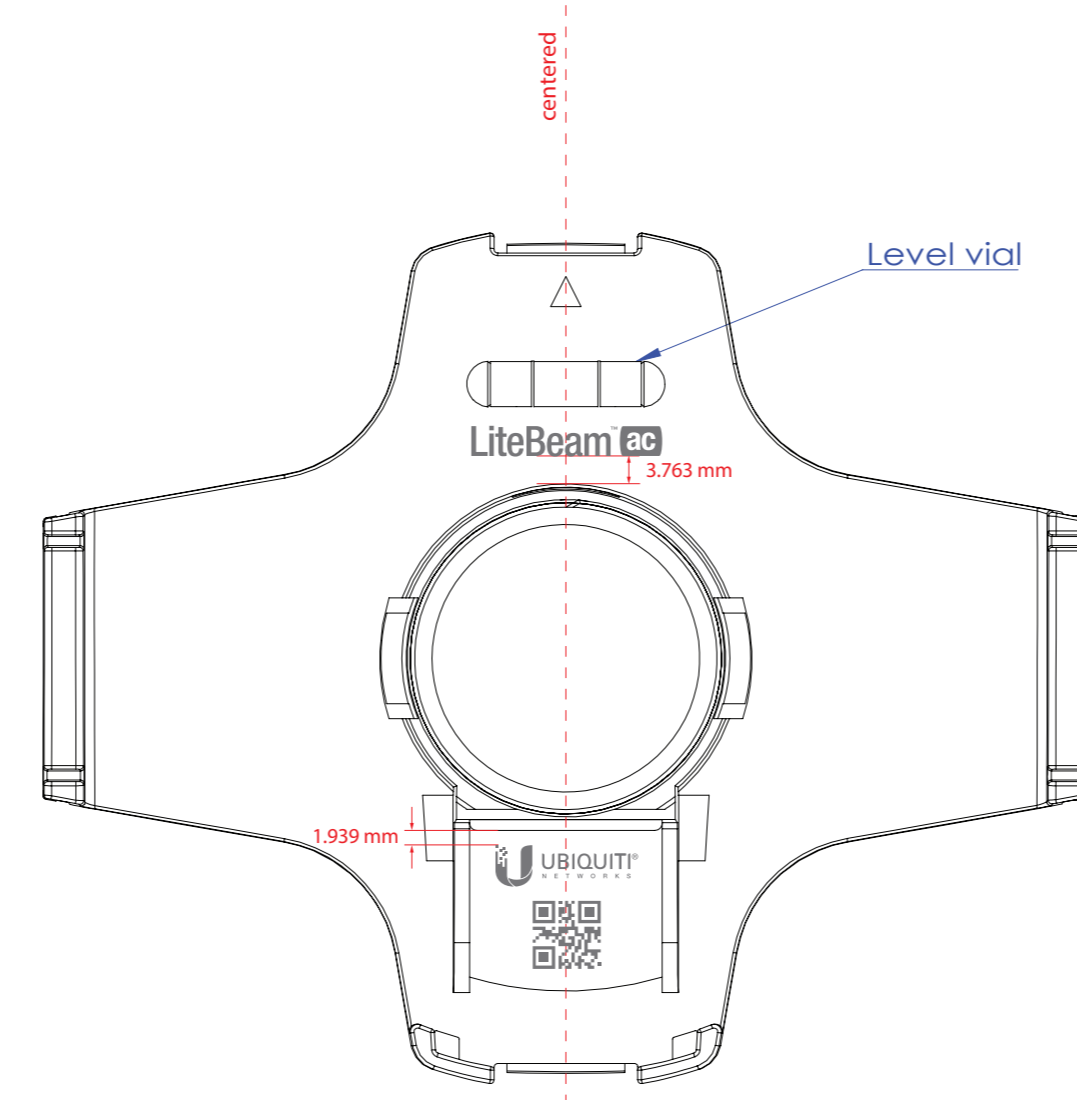


LBE-5AC-23

	File Name: LBE-5AC-23 Device Artwork v04	Colors: 
	Date: 8/25/15	ME: Mike Taylor
	Revision: v04 - LED port location update	PM: Natalie Ku
	Designer: Vivian Liu	Arena Number: 300-00256

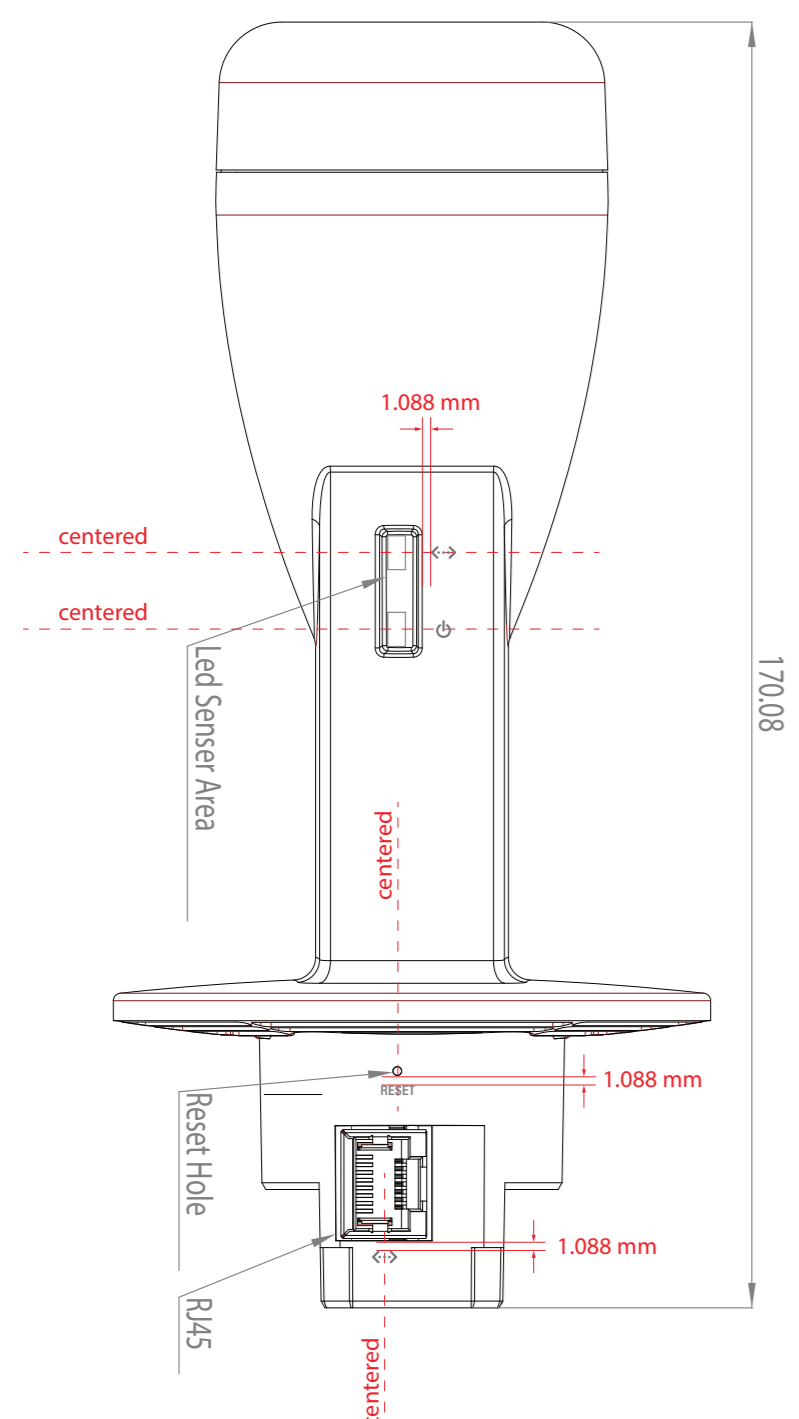



 Debossed logo

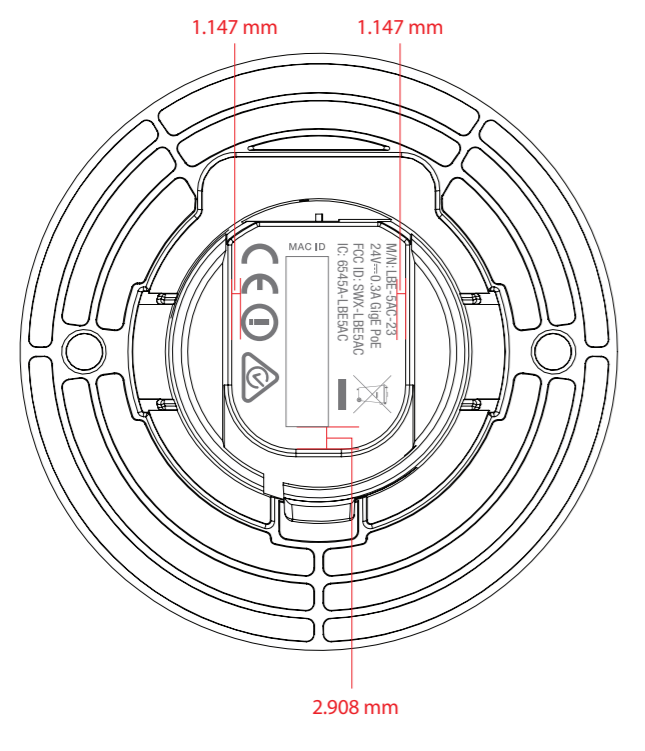
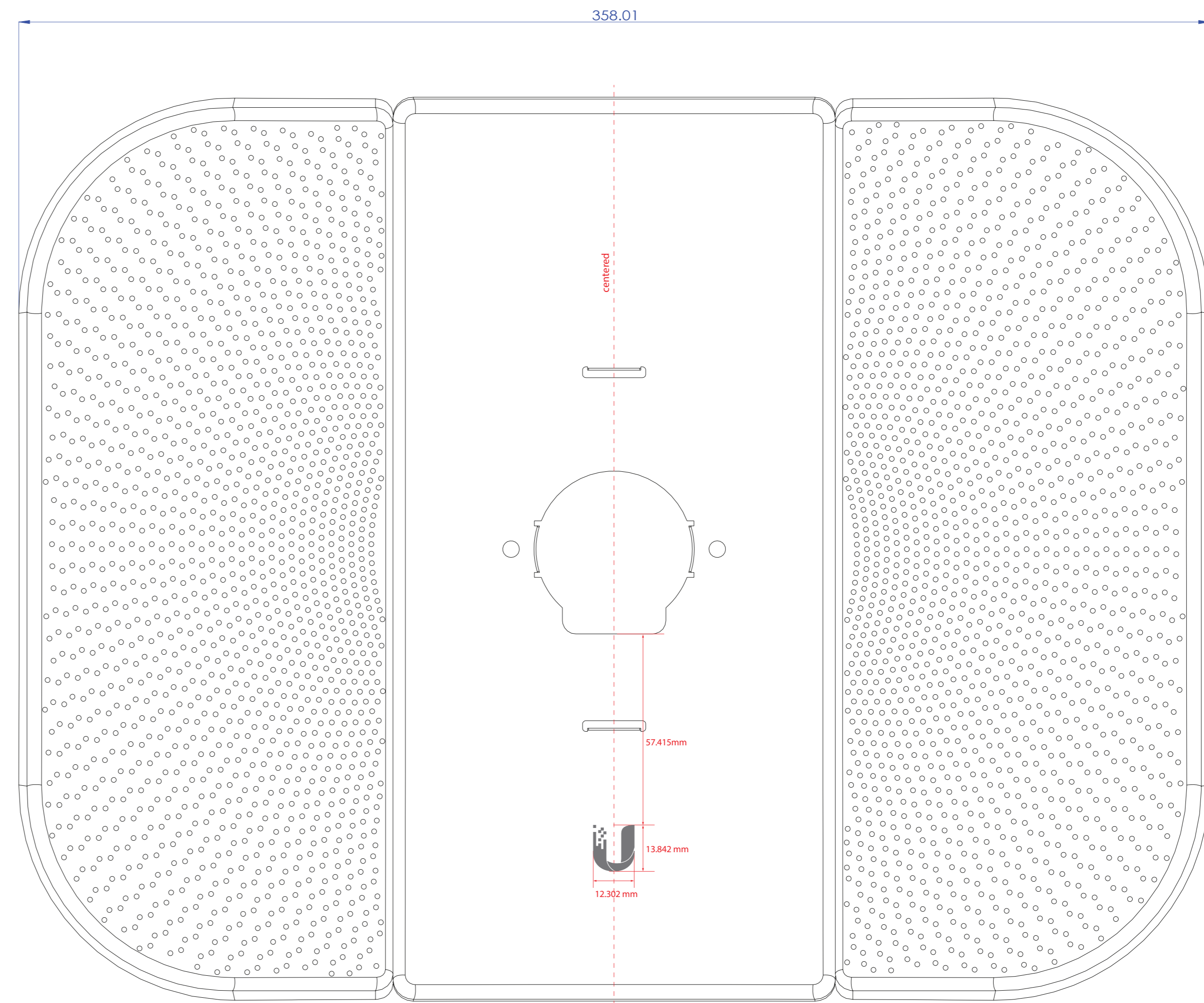


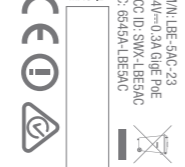
LiteBeam 


 Pantone Cool Gray 9C



 Pantone Cool Gray 9C



 Pantone Cool Gray 9C

 Pantone Cool Gray 9C