



FCC RADIO TEST REPORT

FCC ID : SWX-60GL
Equipment : 60G Link
Brand Name : UBIQUITI
Model Name : 60G-Link
Applicant : Ubiquiti Networks, Inc.
685 Third Avenue, 27th Floor New York, New York
10017 USA
Manufacturer : Ubiquiti Networks, Inc.
685 Third Avenue, 27th Floor New York, New York
10017 USA
Standard : 47 CFR FCC Part 15.255

The product was received on Feb. 27, 2019, and testing was started from Mar. 08, 2019 and completed on Mar. 23, 2019. We, SPORTON INTERNATIONAL INC. EMC & Wireless Communications Laboratory, would like to declare that the tested sample has been evaluated in accordance with the procedures given in ANSI C63.10-2013, 47 CFR FCC Part 15.255, Millimeter Wave Test Procedures and shown compliance with the applicable technical standards.

The report must not be used by the client to claim product certification, approval, or endorsement by TAF or any agency of government.

The test results in this report apply exclusively to the tested model / sample. Without written approval of SPORTON INTERNATIONAL INC. EMC & Wireless Communications Laboratory, the test report shall not be reproduced except in full.

Approved by: Cliff Chang

SPORTON INTERNATIONAL INC. EMC & Wireless Communications Laboratory

No. 52, Huaya 1st Rd., Guishan Dist., Taoyuan City, Taiwan (R.O.C.)



Table of Contents

History of this test report.....3

Summary of Test Result.....4

1 General Description5

1.1 Information.....5

1.2 Additional Information Provided by the Submitter7

1.3 Accessories8

1.4 Support Equipment.....8

1.5 EUT Operation during Test8

1.6 Test Setup Diagram9

1.7 Testing Applied Standards11

1.8 Testing Location11

2 Test Configuration of Equipment under Test.....12

2.1 Test Channel Frequencies12

2.2 Conformance Tests and Related Test Frequencies.....12

2.3 Far Field Boundary Calculations13

3 Transmitter Test Result14

3.1 AC Power Conducted Emissions14

3.2 Occupied Bandwidth19

3.3 EIRP Power26

3.4 Peak Conducted Power.....29

3.5 Transmitter Spurious Emissions.....31

3.6 Frequency Stability39

3.7 Operation Restriction and Group Installation42

4 Test Equipment and Calibration Data43

5 Measurement Uncertainty45

Appendix A. Test Photos

Photographs of EUT v01



Summary of Test Result

Report Clause	Ref Std. Clause	Test Items	Result (PASS/FAIL)	Remark
3.1	FCC 15.207	AC Power Conducted Emissions	PASS	-
3.2	FCC 15.255(e)	Occupied Bandwidth	PASS	-
3.3	FCC 15.255(c)	EIRP Power	PASS	-
3.4	FCC 15.255(c)	Peak Conducted Power	PASS	-
3.5	FCC 15.255(d)	Transmitter Spurious Emissions	PASS	-
3.6	FCC 15.255(f)	Frequency Stability	PASS	-
3.7	FCC 15.255(a), (h)	Operation Restriction and Group Installation	PASS	-

Declaration of Conformity:

The test results with all measurement uncertainty excluded are presented in accordance with the regulation limits or requirements declared by manufacturers.

Comments and Explanations:

The declared of product specification for EUT presented in the report are provided by the manufacturer, and the manufacturer takes all the responsibilities for the accuracy of product specification.

Reviewed by: Cliff Chang

Report Producer: Wendy Pan



1 General Description

1.1 Information

1.1.1 The Channel Plan(s)

Frequency Range	57-71 GHz
The Channel Plan(s)	Channel 1: 58.32 GHz Channel 2: 60.48 GHz Channel 3: 62.64 GHz Channel 4: 64.80 GHz
Modulation	$\pi/2$ -BPSK, $\pi/2$ -QPSK, $\pi/2$ -16QAM

1.1.2 Antenna Information

Ant.	Brand	Model Name	Antenna Type	Connector	Gain (dBi)
1	N/A	PRA710-B2	Integral	N/A	17.2

Note: The above information was declared by manufacturer.

1.1.3 Extreme Operating

The Extreme Operating Temperature Range that Apply to the Equipment			
<input checked="" type="checkbox"/> -40 °C to +70 °C			
<input type="checkbox"/> 0 °C to +40 °C			
<input type="checkbox"/> Other:			
EUT Power Type	From PoE		
Supply Voltage	<input type="checkbox"/> AC	State AC voltage	V
Supply Voltage	<input checked="" type="checkbox"/> DC	State DC voltage	24 V



1.1.4 Equipment Use Condition

Equipment Use Condition	
<input type="checkbox"/>	Fixed field disturbance sensors at 61-61.5GHz
<input type="checkbox"/>	Except fixed field disturbance sensors at 61-61.5GHz
<input checked="" type="checkbox"/>	Except fixed field disturbance sensors

1.1.5 User Condition

Intended Operation	
<input type="checkbox"/>	Indoor
<input checked="" type="checkbox"/>	Outdoor (except outdoor fixed Point to Point)
<input checked="" type="checkbox"/>	Outdoor fixed Point to Point

Note: The above information was declared by manufacturer.



1.2 Additional Information Provided by the Submitter

1.2.1 Modulation

IEEE 802.11ad Modulation Scheme

MCS Index	Modulation	Code rate	Data rate (Mbit/s)
0	π /-2BPSK	1/2	27.5
1	π /-2BPSK	1/2	385
2	π /-2BPSK	1/2	770
3	π /-2BPSK	5/8	962.5
4	π /-2BPSK	3/4	1155
5	π /-2BPSK	13/16	1251.25
6	π /-2QPSK	1/2	1540
7	π /-2QPSK	5/8	1925
8	π /-2QPSK	3/4	2310
9	π /-2QPSK	13/16	2502.5
10	π /2-16QAM	1/2	3080
11	π /2-16QAM	5/8	3850
12	π /2-16QAM	3/4	4620

Can the transmitter operate un-modulated: Yes No

1.2.2 Duty Cycle

Duty Cycle		Duty Cycle Factor
The transmitter is intended for	100 %	10



1.3 Accessories

Accessories			
Equipment Name	Brand Name	Model Name	Rating
PoE	UBIQUITI	GP-A240-050G	INPUT: 100-240V ~ 50/60MHz, Max 0.3A OUTPUT: 24V, 0.5A

1.4 Support Equipment

For AC Power Conducted Emissions test:

Support Equipment				
No.	Equipment	Brand Name	Model Name	FCC ID
A	Notebook	DELL	E6430	N/A

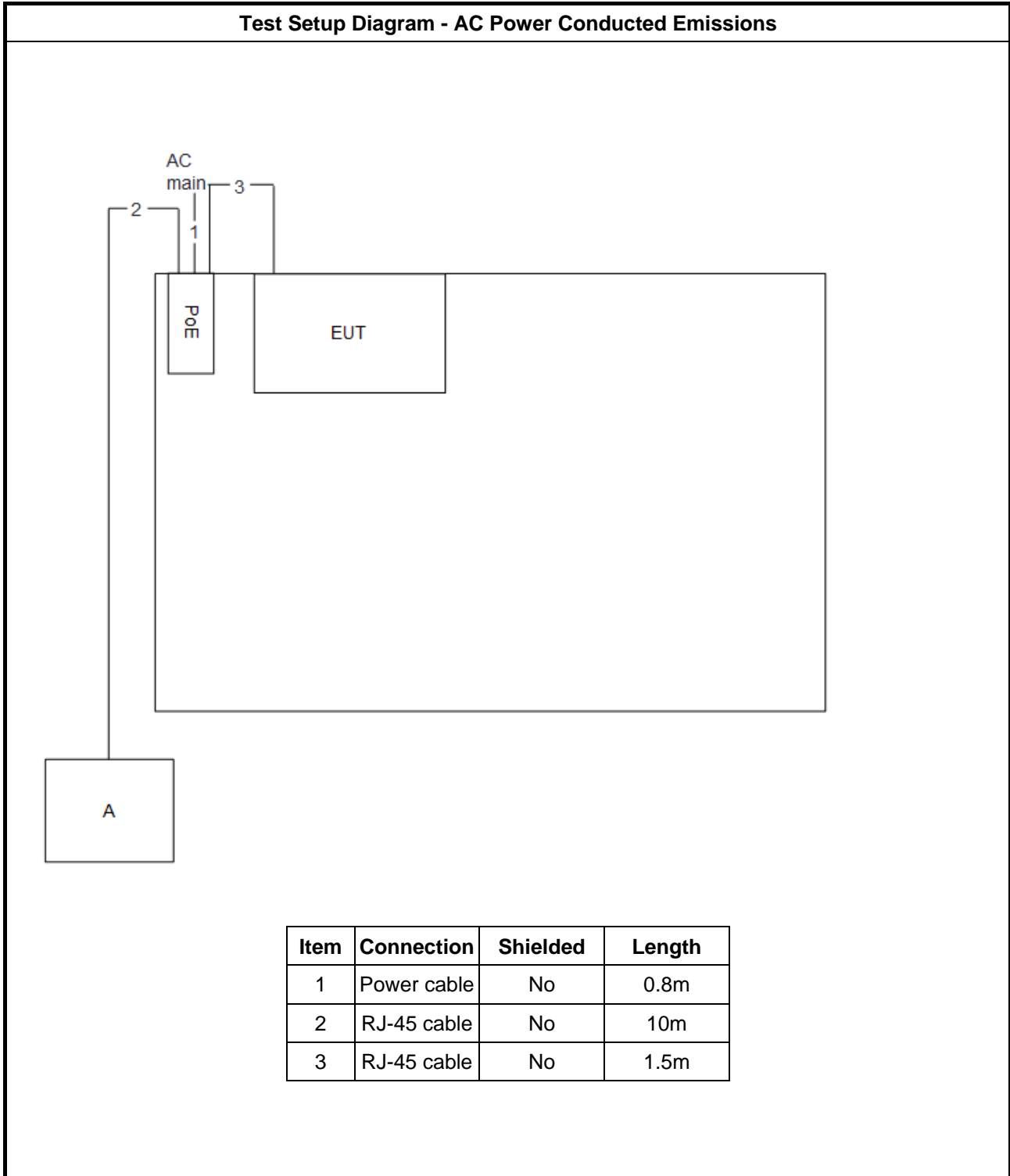
For other test items test:

Support Equipment				
No.	Equipment	Brand Name	Model Name	FCC ID
A	Notebook	DELL	E4300	N/A

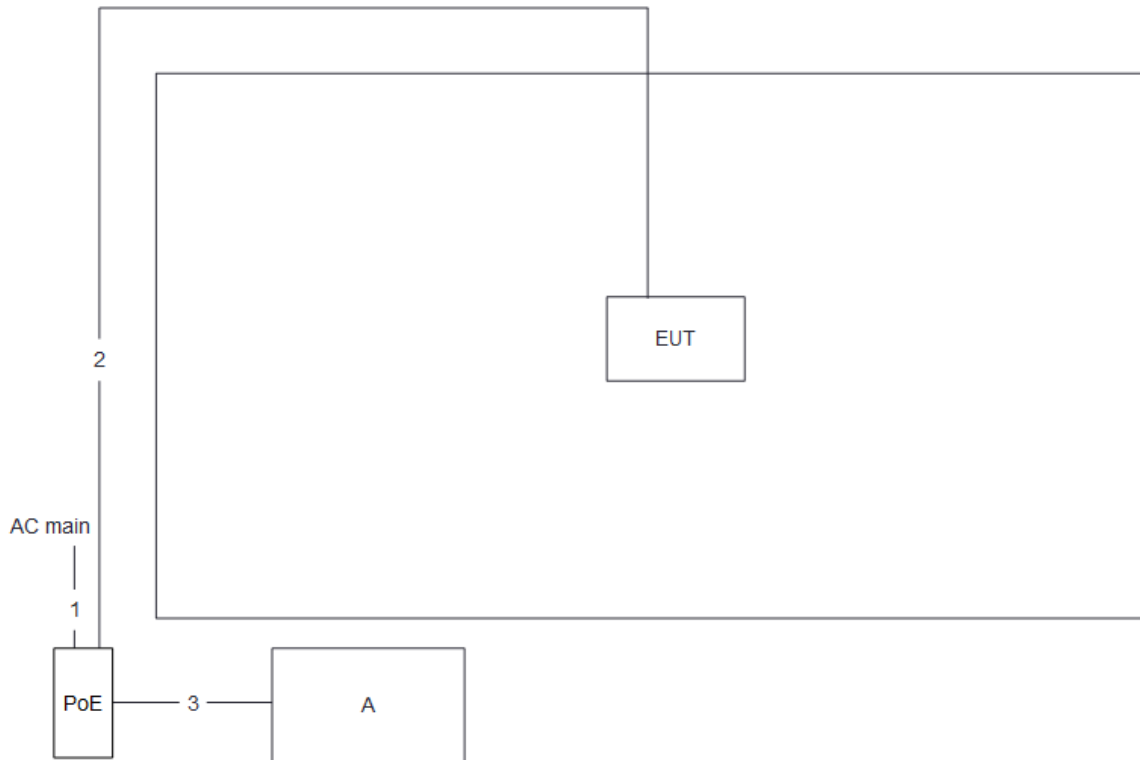
1.5 EUT Operation during Test

During the test, executed the test program to control the EUT continuously transmit RF signal.

1.6 Test Setup Diagram



Test Setup Diagram - Transmitter Spurious Emissions



Item	Connection	Shielded	Length
1	Power cable	No	1.8m
2	RJ-45 cable	No	10m
3	RJ-45 cable	No	1.5m



1.7 Testing Applied Standards

According to the specifications of the manufacturer, the EUT must comply with the requirements of the following standards:

- ♦ 47 CFR FCC Part 15.255
- ♦ ANSI C63.10-2013 Section 9. "Procedures for testing millimeter-wave systems"

1.8 Testing Location

Testing Location		
<input type="checkbox"/>	HWA YA	ADD : No. 52, Huaya 1st Rd., Guishan Dist., Taoyuan City, Taiwan (R.O.C.) TEL : 886-3-327-3456 FAX : 886-3-327-0973
<input checked="" type="checkbox"/>	JHUBEI	ADD : No.8, Lane 724, Bo-ai St., Jhubei City, HsinChu County 302, Taiwan, R.O.C. TEL : 886-3-656-9065 FAX : 886-3-656-9085
Test Site No.		
CO01-CB	03CH01-CB	TH01-CB

Test site Designation No. TW0006 with FCC.

Test site registered number IC 4086B with Industry Canada.



2 Test Configuration of Equipment under Test

2.1 Test Channel Frequencies

Test Channel Frequencies Configuration	
Channel 1 (GHz)	58.32
Channel 2 (GHz)	60.48
Channel 3 (GHz)	62.64
Channel 4 (GHz)	64.80

2.2 Conformance Tests and Related Test Frequencies

Test Item	Test Frequencies (GHz)
AC Power Conducted Emissions	CTX
Occupied Bandwidth	58.32, 60.48, 62.64, 64.80
EIRP Power	58.32, 60.48, 62.64, 64.80
Peak Conducted Power	58.32, 60.48, 62.64, 64.80
Transmitter Spurious Emissions (below 1 GHz)	CTX
Transmitter Spurious Emissions (1 GHz-40 GHz)	CTX
Transmitter Spurious Emissions (above 40 GHz)	58.32, 60.48, 62.64, 64.80
Frequency Stability	Un-Modulation

The following test modes were performed for all tests:

For Transmitter Spurious Emissions (below 1 GHz) test:

The EUT was performed at Y axis and Z axis position for Transmitter Spurious Emissions (above 1 GHz) test, and the worst case was found at Y axis. So the measurement will follow this same test configuration.

For Transmitter Spurious Emissions (above 1 GHz) test:

The Ch.3 has been evaluated to be the worst case among Ch.1 ~ Ch.4 thus the measurement for Transmitter Spurious Emissions (1 GHz-40 GHz) will follow this same test mode.

The EUT was performed at Y axis and Z axis position, and the worst case was found at Y axis. So the measurement will follow this same test configuration.



2.3 Far Field Boundary Calculations

The far-field boundary is given as:

$$\text{far field} = (2 * L^2) / \lambda$$

where:

L = Largest Antenna Dimension, including the reflector, in meters

λ = wavelength in meters

Far Field (m)				
Frequency (GHz)	L (m)	Lambda (m)	d(Far Field) (m)	d(Far Field) (cm)
58.32	0.02	0.0051440	0.156	15.55
60.48	0.02	0.0049603	0.161	16.13
62.64	0.02	0.0047893	0.167	16.70
64.80	0.02	0.0046296	0.173	17.28



3 Transmitter Test Result

3.1 AC Power Conducted Emissions

3.1.1 Limit of AC Power Conducted Emissions

AC Power Conducted Emissions Limit		
Frequency Emission (MHz)	Quasi-Peak	Average
0.15-0.5	66 - 56 *	56 - 46 *
0.5-5	56	46
5-30	60	50

Note: * Decreases with the logarithm of the frequency.

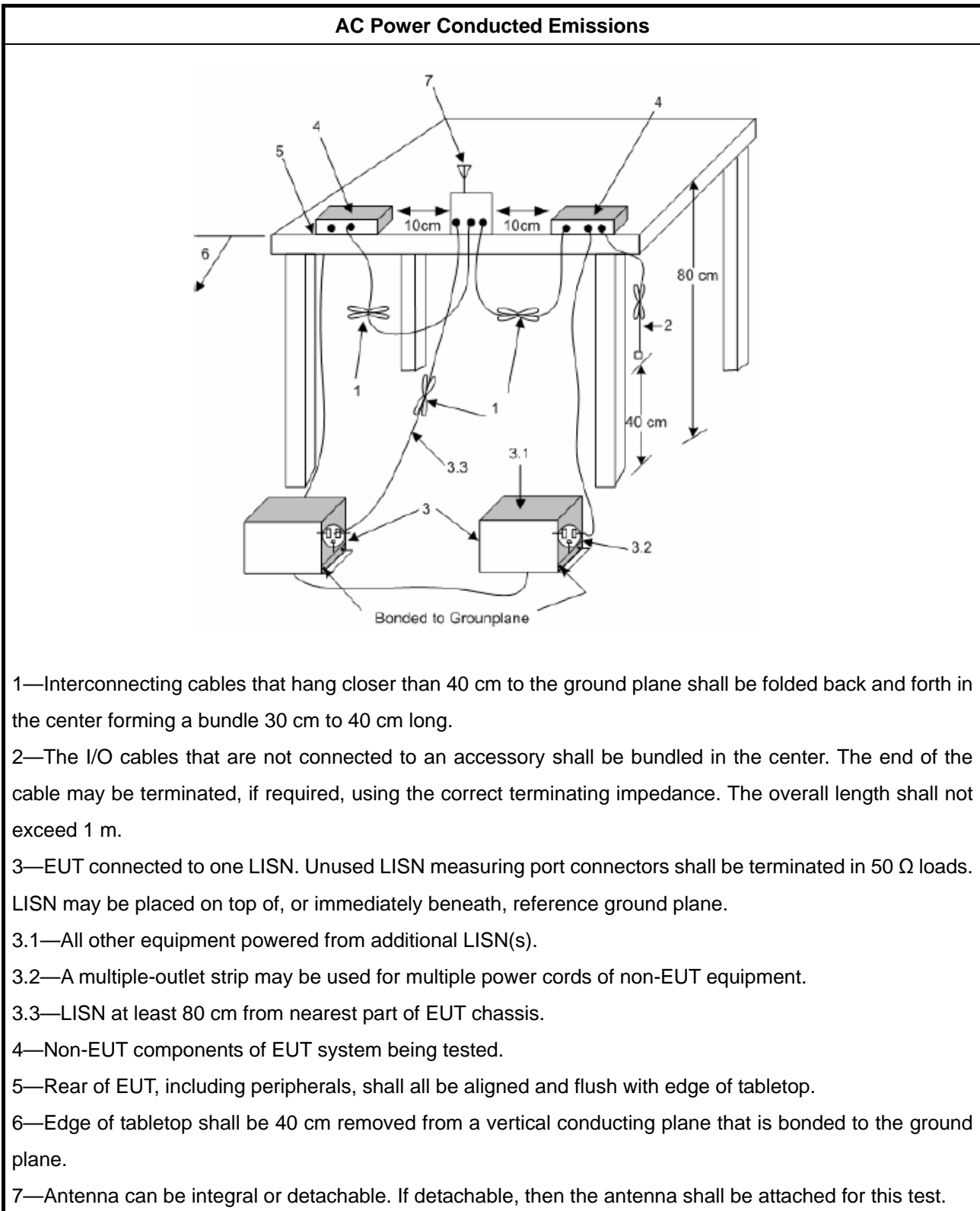
3.1.2 Measuring Instruments

Refer a measuring instruments list in this test report.

3.1.3 Test Procedures

Method of measurement: Refer as ANSI C63.10-2013, clause 6.2.

3.1.4 Test Setup





3.1.5 Test Result of AC Power Conducted Emissions

Test Conditions	see ANSI C63.10, clause 5.11
Test Setup	see ANSI C63.10, clause 6.2.3
<p>NOTE 1: If equipment having different channel plan and nominal channel bandwidth modes (see test report clause 1.1.1), the measurements are uninfluenced by different channel plan and nominal channel bandwidth modes, may not need to be repeated for all modes. If equipment having different transmit operating modes (see test report clause 1.1.2), the measurements are uninfluenced by different transmit operating modes, may not need to be repeated for all the operating modes. Similar, if the equipment supports different modulations and/or data rates, the measurements described in ANSI C63.10, clause 5.12 may not need to be repeated for all these modulations and data rates. Simple comparison of engineering test across all operating modes, modulations and data rates may need to be performed to define the worse case combination to be used for the conformance testing.</p> <p>NOTE 2: ">20dB" means the tables in this clause should only list values of spurious emissions that exceed the level of 20 dB below the applicable limit, see ANSI C63.4, clause 10.1.8.1.</p>	



Temp	22.2~23.1°C	Humidity	58~58.3%
Test Engineer	Ryo Fan	Phase	Line
Configuration	CTX		

23/03/2019

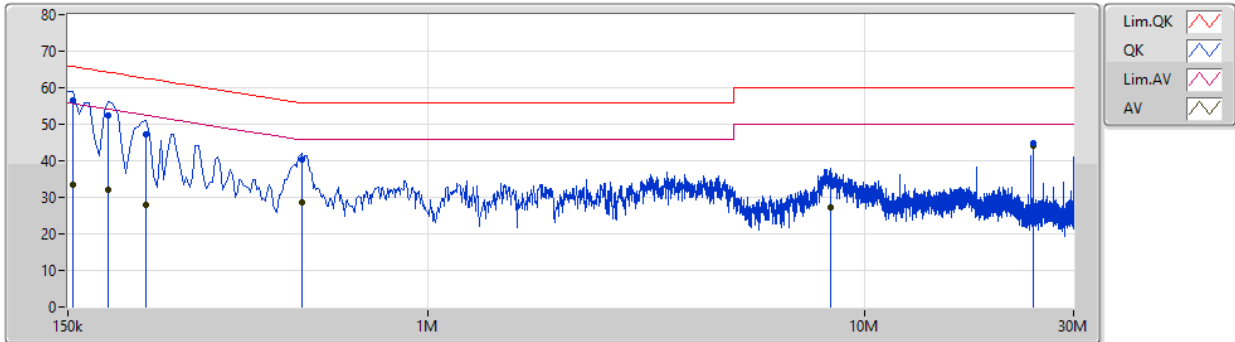


Type	Freq (Hz)	Level (dBuV)	Limit (dBuV)	Margin (dB)	Factor (dB)	Condition	Comment	Raw (dBuV)	AF (dB)	CL (dB)	AT (dB)
QP	150k	58.99	66.00	-7.01	10.00	Line	-	48.99	0.05	0.16	9.79
AV	150k	37.08	56.00	-18.92	10.00	Line	-	27.08	0.05	0.16	9.79
QP	181.5k	53.89	64.41	-10.52	10.00	Line	-	43.89	0.06	0.15	9.79
AV	181.5k	32.28	54.41	-22.13	10.00	Line	-	22.28	0.06	0.15	9.79
QP	213k	48.96	63.09	-14.13	9.99	Line	-	38.97	0.06	0.14	9.79
AV	213k	30.00	53.09	-23.09	9.99	Line	-	20.01	0.06	0.14	9.79
QP	262.5k	43.77	61.35	-17.58	9.99	Line	-	33.78	0.06	0.13	9.80
AV	262.5k	26.45	51.35	-24.90	9.99	Line	-	16.46	0.06	0.13	9.80
QP	280.5k	40.71	60.80	-20.09	9.99	Line	-	30.72	0.06	0.13	9.80
AV	280.5k	22.24	50.80	-28.56	9.99	Line	-	12.25	0.06	0.13	9.80
QP	514.5k	39.11	56.00	-16.89	10.01	Line	-	29.10	0.06	0.14	9.81
AV	514.5k	27.69	46.00	-18.31	10.01	Line	-	17.68	0.06	0.14	9.81
QP	24.198M	44.87	60.00	-15.13	10.60	Line	-	34.27	0.32	0.26	10.02
AV	24.198M	44.29	50.00	-5.71	10.60	Line	"Worst"	33.69	0.32	0.26	10.02



Temp	22.2~23.1°C	Humidity	58~58.3%
Test Engineer	Ryo Fan	Phase	Neutral
Configuration	CTX		

23/03/2019



Type	Freq (Hz)	Level (dBuV)	Limit (dBuV)	Margin (dB)	Factor (dB)	Condition	Comment	Raw (dBuV)	AF (dB)	CL (dB)	AT (dB)
QP	154.5k	56.38	65.75	-9.37	9.99	Neutral	-	46.39	0.04	0.16	9.79
AV	154.5k	33.49	55.75	-22.26	9.99	Neutral	-	23.50	0.04	0.16	9.79
QP	186k	52.45	64.20	-11.75	9.97	Neutral	-	42.48	0.04	0.14	9.79
AV	186k	32.19	54.20	-22.01	9.97	Neutral	-	22.22	0.04	0.14	9.79
QP	226.5k	47.35	62.58	-15.23	9.97	Neutral	-	37.38	0.04	0.14	9.79
AV	226.5k	28.09	52.58	-24.49	9.97	Neutral	-	18.12	0.04	0.14	9.79
QP	514.5k	40.26	56.00	-15.74	10.00	Neutral	-	30.26	0.05	0.14	9.81
AV	514.5k	28.54	46.00	-17.46	10.00	Neutral	-	18.54	0.05	0.14	9.81
QP	8.363M	34.45	60.00	-25.55	10.22	Neutral	-	24.23	0.17	0.15	9.90
AV	8.363M	27.34	50.00	-22.66	10.22	Neutral	-	17.12	0.17	0.15	9.90
QP	24.198M	44.81	60.00	-15.19	10.59	Neutral	-	34.22	0.31	0.26	10.02
AV	24.198M	44.23	50.00	-5.77	10.59	Neutral	"Worst"	33.64	0.31	0.26	10.02



3.2 Occupied Bandwidth

3.2.1 Limit of Occupied Bandwidth

6dBc Bandwidth (see Note 1)	None
99% Occupied Bandwidth (see Note 2)	None

NOTE 1: The 6dBc bandwidth is the frequency bandwidth of the signal power at the -6 dBc points when measured with a 100 kHz resolution bandwidth. These measurements shall also be performed at normal test conditions.

NOTE 2: The 99% occupied bandwidth is the frequency bandwidth of the signal power at the 99% channel power of occupied bandwidth when resolution bandwidth should be approximately 1 % to 5 % of the occupied bandwidth (OBW). These measurements shall also be performed at normal test conditions.

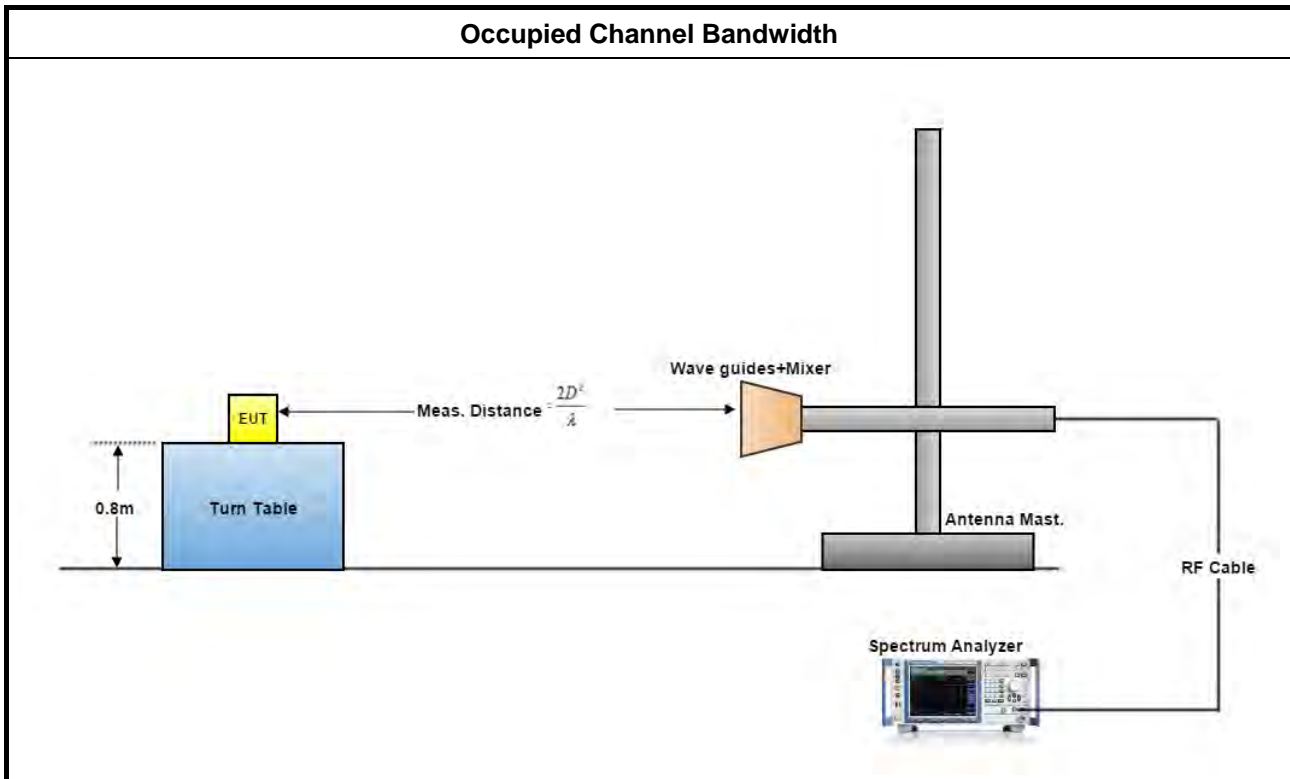
3.2.2 Measuring Instruments

Refer a measuring instruments list in this test report.

3.2.3 Test Procedures

Method of measurement: Refer as ANSI C63.10-2013, clauses 6.9.2.

3.2.4 Test Setup





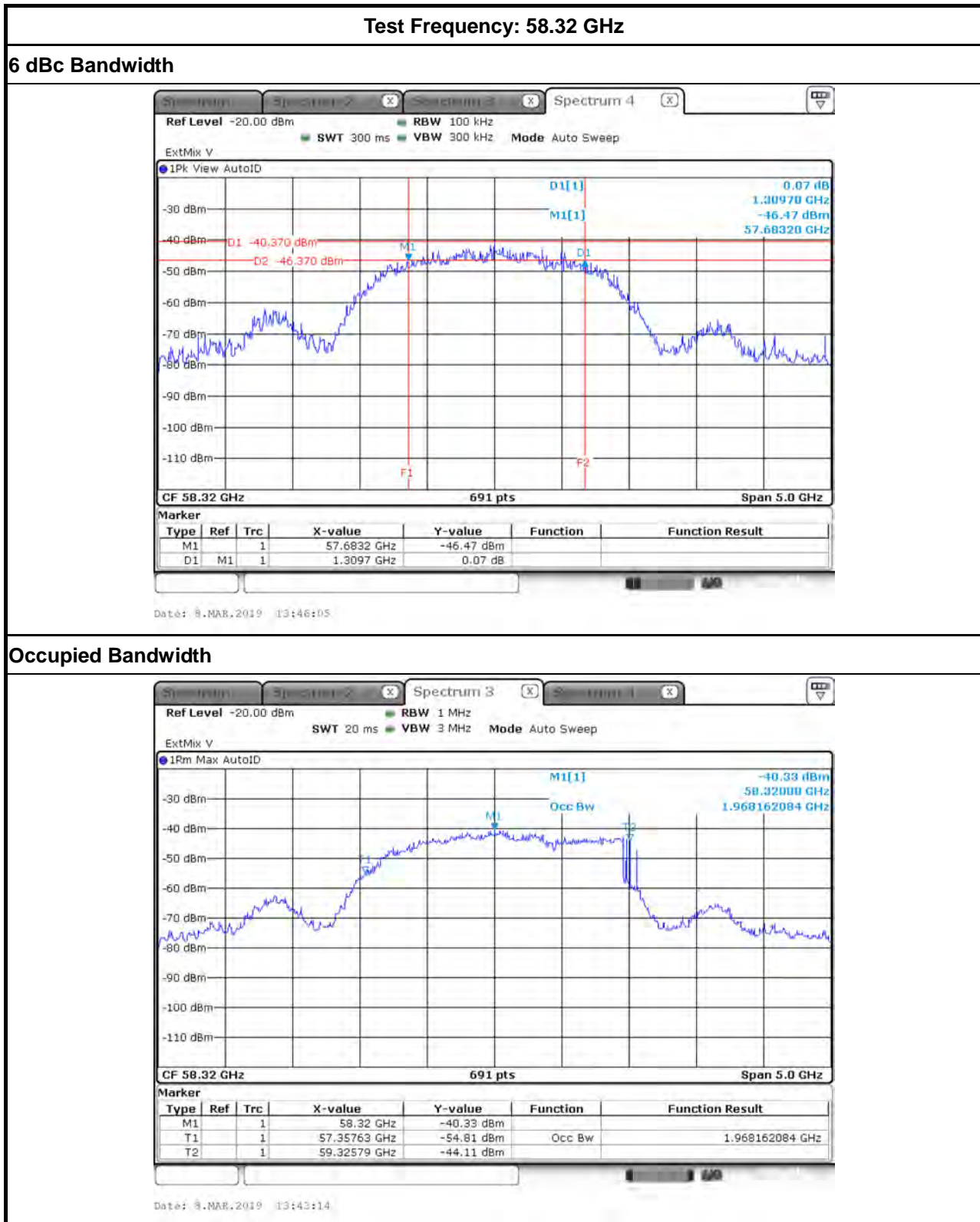
3.2.5 Test Result of Occupied Bandwidth

Test Conditions	see ANSI C63.10, clause 5.11
Test Setup	see ANSI C63.10, clause 6.9.2
<p>NOTE: If equipment having different transmit operating modes (see test report clause 1.1.2), the measurements are uninfluenced by different transmit operating modes, may not need to be repeated for all the operating modes. Similar, if the equipment supports different modulations and/or data rates, the measurements described in ANSI C63.10, clause 5.11 may not need to be repeated for all these modulations and data rates. Simple comparison of engineering test across all operating modes, modulations and data rates may need to be performed to define the worse case combination to be used for the conformance testing. Refer as ANSI C63.10, clause 15, observe and record with plotted graphs or photographs the worst-case (i.e., widest) occupied bandwidth produced by these different modulation sources.</p>	

Temp	22~24°C	Humidity	50~60%
Test Engineer	Paul Chen		
Test Freq. (GHz)	6 dBc Bandwidth (MHz)	99% Occupied Bandwidth (MHz)	Limit (MHz)
58.32	1309.70	1968.16	N/A
60.48	1476.10	2018.81	N/A
62.64	1150.50	1968.16	N/A
64.80	1555.70	2076.70	N/A



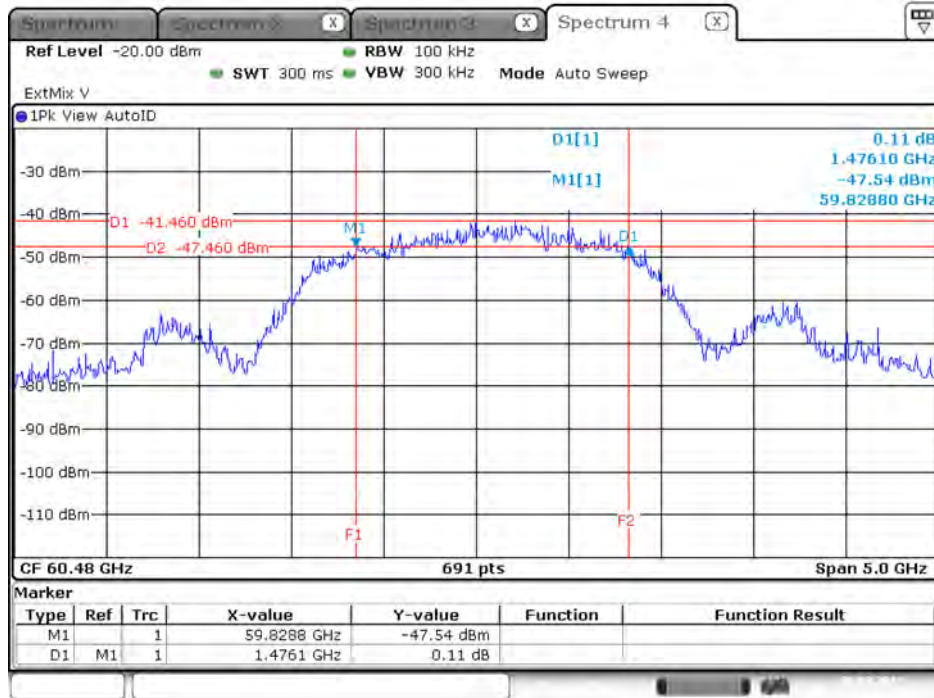
3.2.5.1 Bandwidth Plots





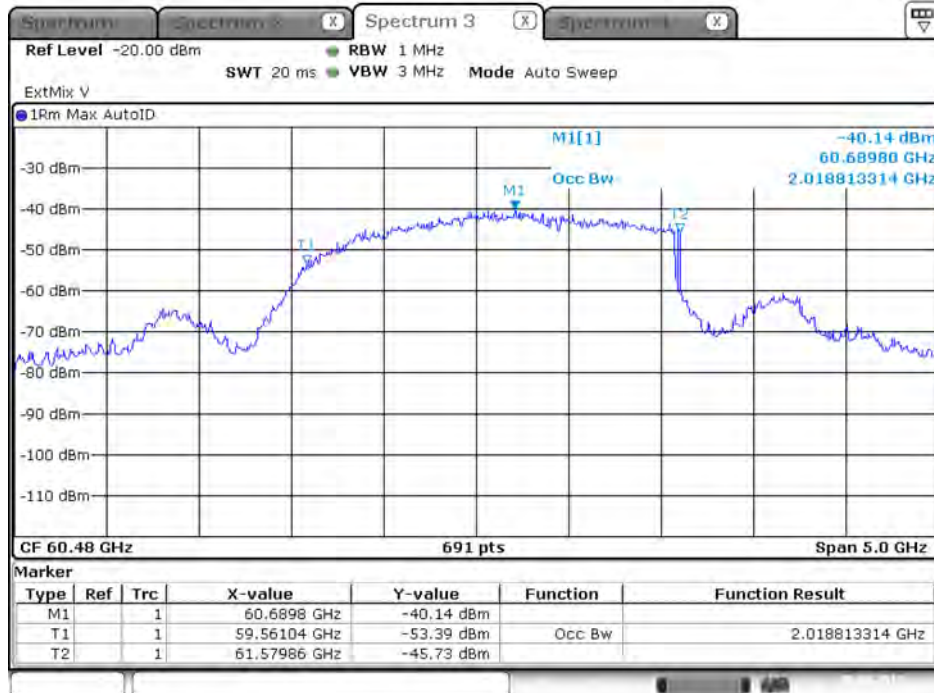
Test Frequency: 60.48 GHz

6 dBc Bandwidth



Date: 8.MAR.2019 11:46:06

Occupied Bandwidth

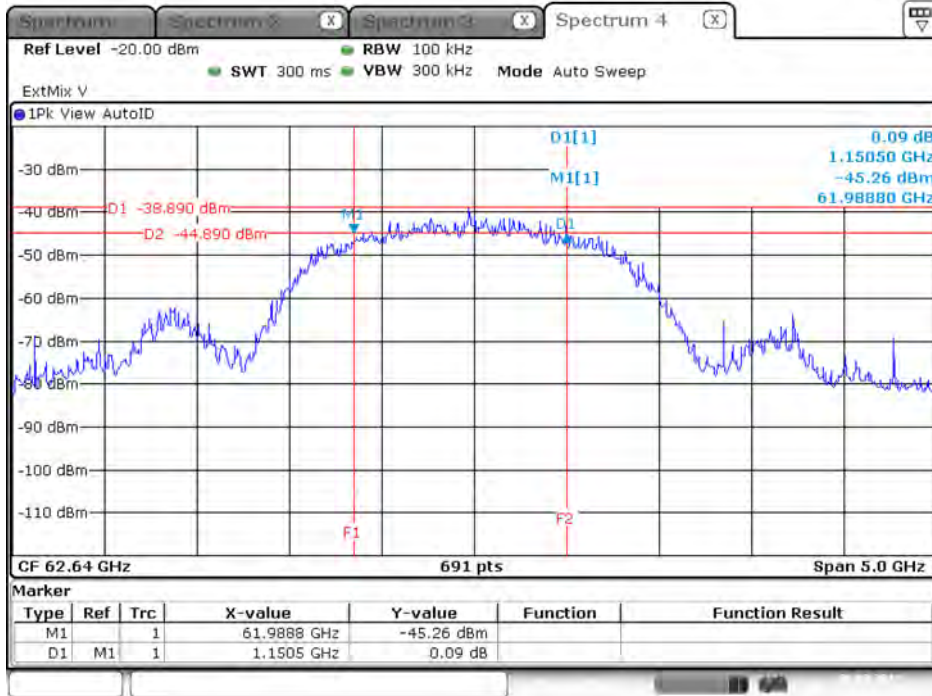


Date: 8.MAR.2019 11:43:38



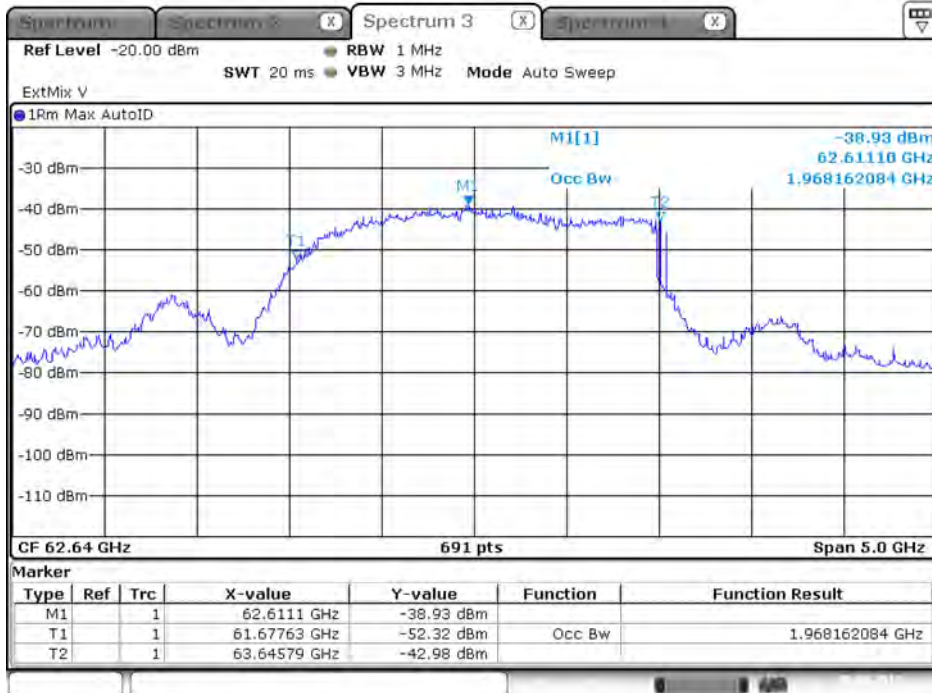
Test Frequency: 62.64 GHz

6 dBc Bandwidth



Date: 8.MAR.2019 13:52:46

Occupied Bandwidth

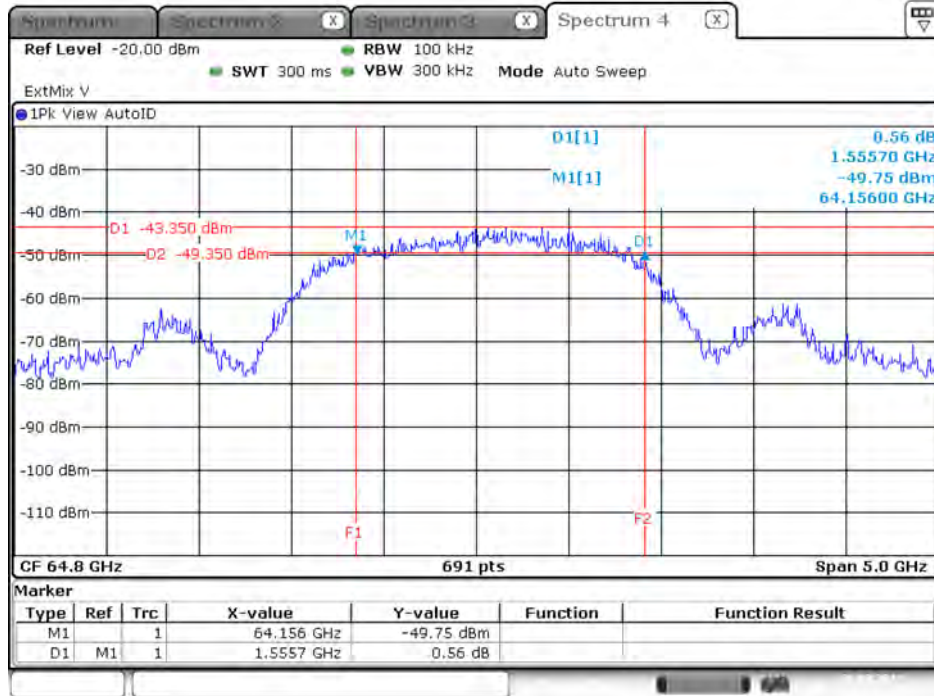


Date: 8.MAR.2019 13:49:16



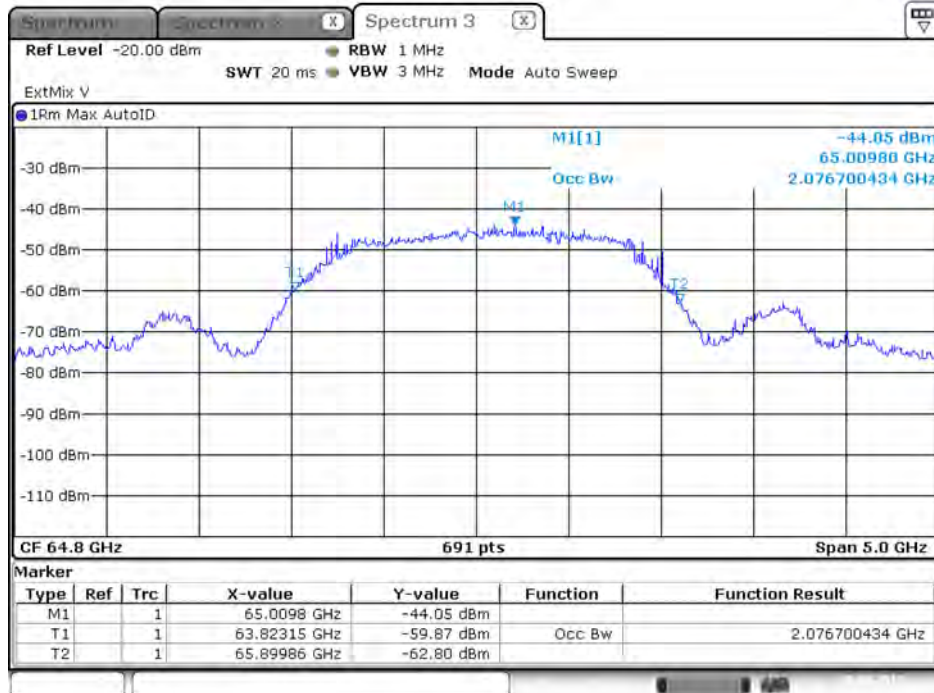
Test Frequency: 64.80 GHz

6 dBc Bandwidth



Date: 20.MAR.2019 17:31:49

Occupied Bandwidth



Date: 20.MAR.2019 17:26:38



3.3 EIRP Power

3.3.1 Limit of EIRP Power

EIRP Power Limit		
Use Condition	EIRP Average Power	EIRP Peak Power
Fixed field disturbance sensors at within the frequency band 61-61.5GHz	40 dBm	43 dBm
Fixed field disturbance sensors at outside of the band 61-61.5GHz	10 dBm	13 dBm
Except fixed field disturbance sensors at 61-61.5GHz	N/A	10 dBm
Except outdoor fixed Point to Point	40 dBm	43 dBm
Outdoor fixed Point to Point	82 dBm	85 dBm

Note: For fixed point-to-point transmitters located outdoors, the average power of any emission shall not exceed 82 dBm, and shall be reduced by 2 dB for every dB that the antenna gain is less than 51 dBi. The peak power of any emission shall not exceed 85 dBm, and shall be reduced by 2 dB for every dB that the antenna gain is less than 51 dBi.

NOTE: For the applicable limit, see FCC 15.255 (c)

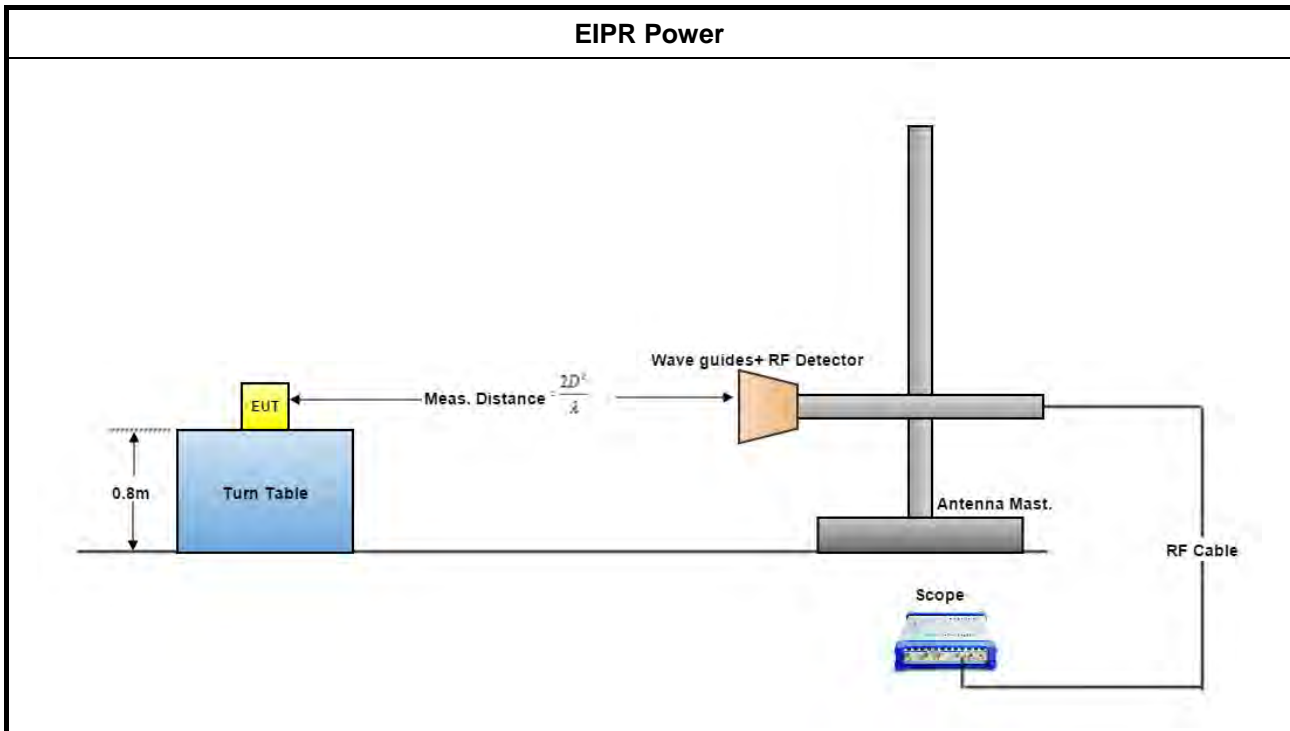
3.3.2 Measuring Instruments

Refer a measuring instruments list in this test report.

3.3.3 Test Procedures

Method of measurement: Refer as ANSI C63.10-2013 clause 9.3 & 9.5.

3.3.4 Test Setup



3.3.5 Test Result of EIRP Power

Test Conditions	see ANSI C63.10, clause 5.11 & clause 9
Test Setup	see ANSI C63.10, clause 9.11
<p>NOTE: If the equipment supports different modulations and/or data rates, the measurements described in ANSI C63.10, clause 5.11 may not need to be repeated for all these modulations and data rates. Simple comparison of engineering test across all operating modes, modulations and data rates may need to be performed to define the worst case combination to be used for the conformance testing.</p>	



3.3.5.1 Test Result of EIRP Power

Temp		22~24°C		Humidity		50~60%					
Test Engineer		Paul Chen		Test Distance		0.5 m					
Test Date		Mar. 08, 2019 ~ Mar. 20, 2019									
Test Results											
Test Freq. (GHz)	Rx Gain (dBi)	DSO (mV)		Power Measured (dBm)		E _{Meas} (dBuV/m)		EIRP (dBm)		EIRP Limit (dBm) (note 1)	
		Peak	AV	Peak	AV	Peak	AV	Peak	AV	Peak	AV
58.32	23.6	267.63	63.45	-4.45	-14.25	144.52	134.72	33.70	23.90	43	40
60.48	23.6	275.14	64.23	-4.14	-14.09	145.15	135.20	34.33	24.38	43	40
62.64	23.6	348.45	86.96	-2.25	-12.46	147.34	137.13	36.52	26.31	43	40
64.80	23.6	172.65	36.54	-7.21	-17.42	142.68	132.47	31.86	21.65	43	40

The measured power level is converted to EIRP using the Friis equation:

For radiated emissions, calculate the field strength (E) in dBμV/meter.

$$E = 126.8 - 20\log(\lambda) + P - G$$

where:

E : is the field strength of the emission at the measurement distance, in dBμV/m

P : is the power measured at the output of the test antenna, in dBm

λ : is the wavelength of the emission under investigation [300/fMHz], in m

G : is the gain of the test antenna, in dBi For radiated emissions, calculate the EIRP (dBm). If the measurement was performed in the far field, calculate the EIRP.

$$EIRP = E\text{-meas} + 20\log(d\text{-meas}) - 104.7$$

where:

EIRP : is the equivalent isotopically radiated power, in dBm

E-meas. : is the field strength of the emission at the measurement distance, in dBμV/m

d-meas. : is the measurement distance, in m

NOTE 1: For the applicable limit, see FCC 15.255 (c)

NOTE 2: The comparison method which replaces EUT with a signal generator is used to find the correct conversion factor between “DSO(mV)” & “Power Measured(dBm)”.



3.4 Peak Conducted Power

3.4.1 Limit of Peak Conducted Power

Peak Conducted Power Limit	
6dBc Bandwidth	Peak Conducted Power (note 1)
> 100MHz	500mW
≤ 100MHz	500mW x (BW/100) (see note 2)
NOTE 1: For the applicable limit, see FCC 15.255(c)	
NOTE 2: BW= 6dB bandwidth (measured at RBW 100kHz)	

3.4.2 Measuring Instruments

Refer a measuring instruments list in this test report.

3.4.3 Test Procedures

Method of measurement: Refer as ANSI C63.10-2013, clause 9.5

3.4.4 Test Result of Peak Conducted Power

Test Conditions	see ANSI C63.10, clause 5.11 & clause 9
Test Setup	see ANSI C63.10, clause 9.11
NOTE: If the equipment supports different modulations and/or data rates, the measurements described in ANSI C63.10, clause 5.11 may not need to be repeated for all these modulations and data rates. Simple comparison of engineering test across all operating modes, modulations and data rates may need to be performed to define the worst case combination to be used for the conformance testing.	



3.4.4.1 Peak Conducted Power

Temp	22~24°C	Humidity	50~60%			
Test Engineer	Paul Chen					
Test Date	Mar. 08, 2019 ~ Mar. 20, 2019					
Test Results						
Test Freq. (GHz)	EIRP (dBm)	Max. Ant. Gain (dBi)	Peak Power (dBm) (note1)	Peak Power (mW)	6dBc BW (MHz) (note2)	Peak Power Limit (mW) (note3)
58.32	33.70	17.2	16.50	44.703	1309.70	500.00
60.48	34.33	17.2	17.13	51.632	1476.10	500.00
62.64	36.52	17.2	19.32	85.586	1150.50	500.00
64.80	31.86	17.2	14.66	29.231	1555.70	500.00
<p>NOTE 1: Because EUT used for the integral antenna without temporary RF connector provided. Therefore peak conducted power is equal to EIRP power subtract the antenna gain.</p> <p>NOTE 2: For the 6dBc bandwidth, see test report clause 3.2.5.</p> <p>NOTE 3: For the applicable limit, see FCC 15.255(c)</p> <p>NOTE 4: For radiated emission measurements, calculate conducted transmitter output power P(cond)(dBm)</p> $P(\text{cond}) = \text{EIRP} - G(\text{dBi})$ <p>where:</p> <p>G(dBi) is gain of EUT antenna.</p>						

3.5 Transmitter Spurious Emissions

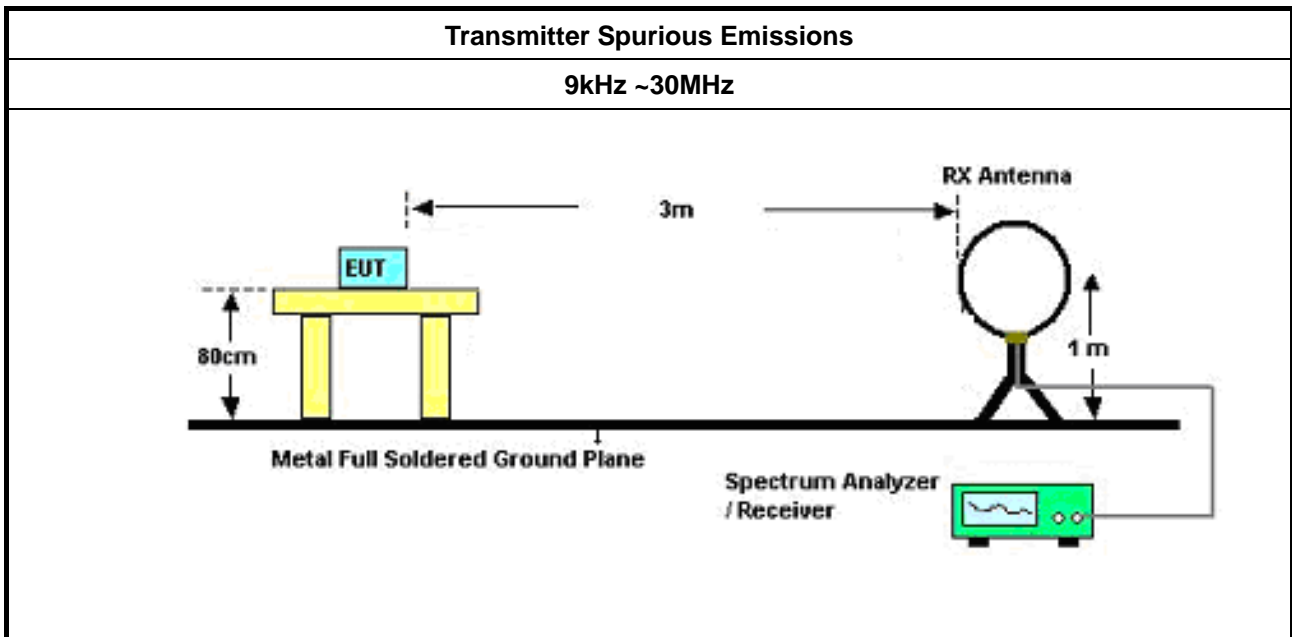
3.5.1 Limit of Transmitter Spurious Emissions

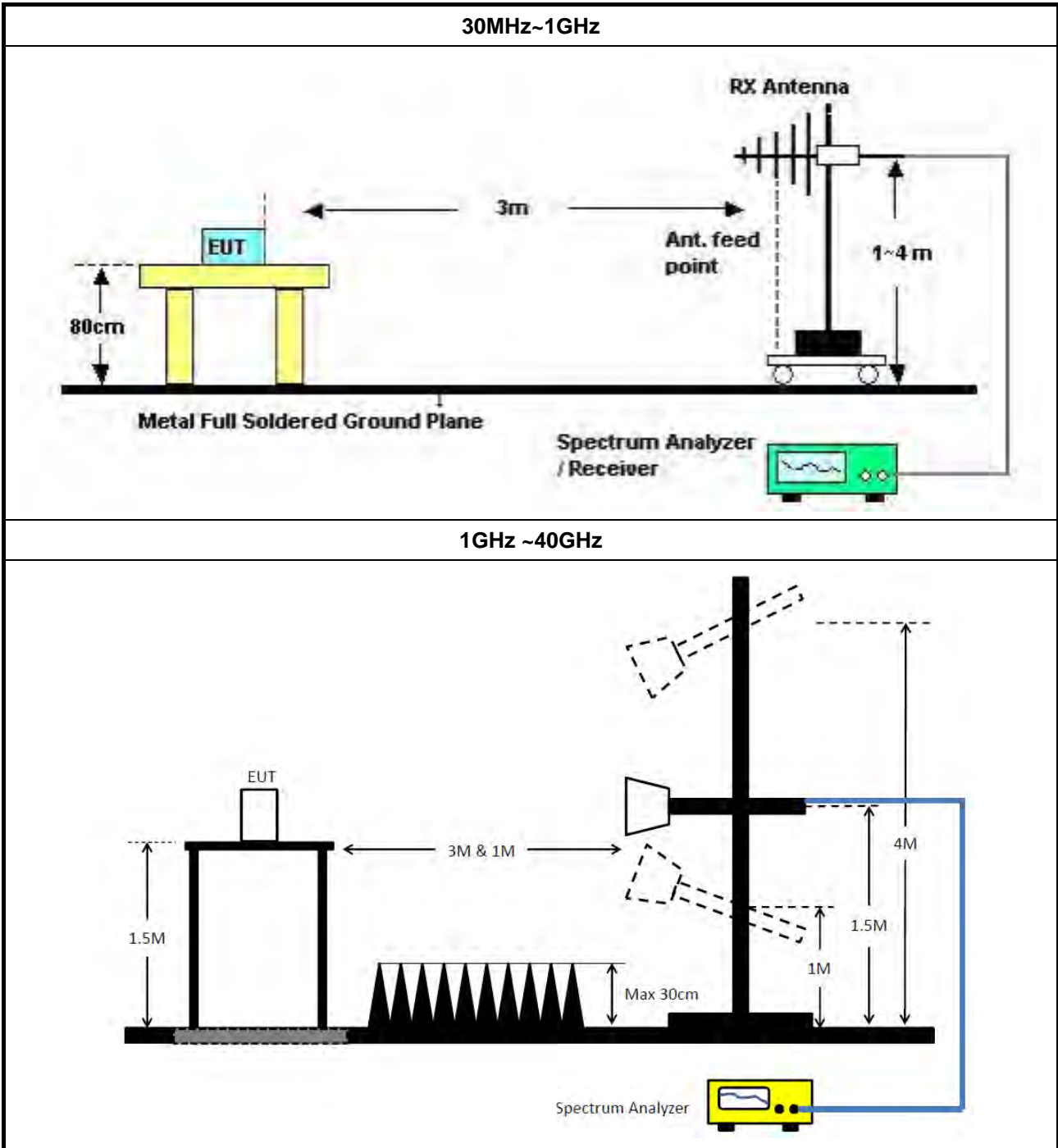
Frequency Range	Limit
Radiated emissions below 40 GHz	FCC 15.209
Radiated emissions above 40 GHz – 200GHz	90 pW/cm ² @ 3 m (Equivalent EIRP 102 μW, -9.91dBm)
NOTE 1: For the applicable limit, see FCC 15.255(d)	
NOTE 2: Spurious emissions shall not exceed the level of the fundamental emission.	

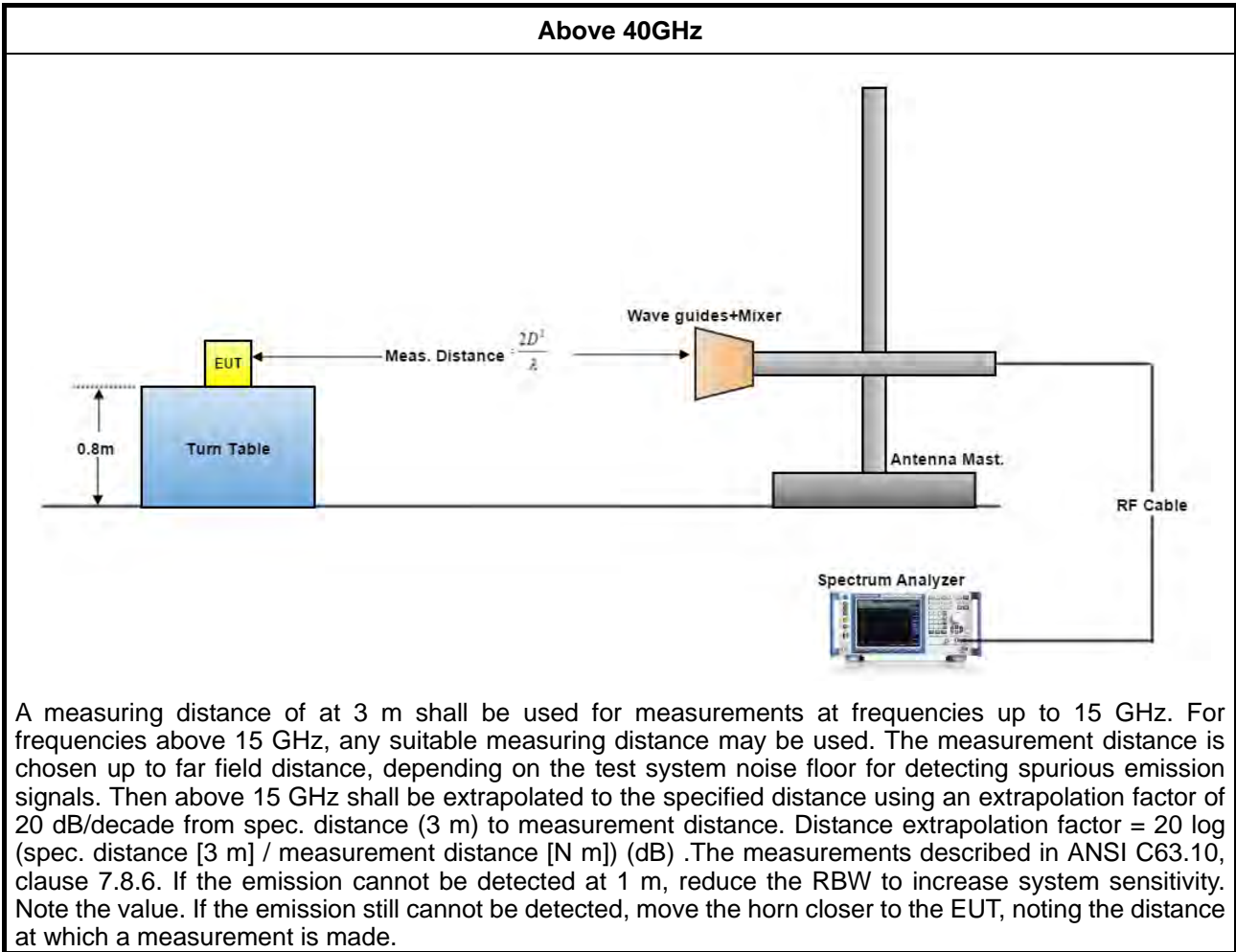
3.5.2 Test Procedures

Method of measurement: Refer as ANSI C63.10-2013, clause 9.12

3.5.3 Test Setup







3.5.4 Test Result of Transmitter Spurious Emissions

Test Conditions	see ANSI C63.10, clause 5.11 & clause 9
Test Setup	see ANSI C63.10, clause 9.12 ~ 9.13
NOTE: If equipment having different channel plan and nominal channel bandwidth modes (see test report clause 1.1.1), the measurements are uninfluenced by different channel plan and nominal channel bandwidth modes, may not need to be repeated for all modes.	

3.5.4.1 Test Result of Transmitter Spurious Emissions (Below 30MHz)

All amplitude of spurious emissions that are attenuated by more than 20 dB below the permissible value has no need to be reported.

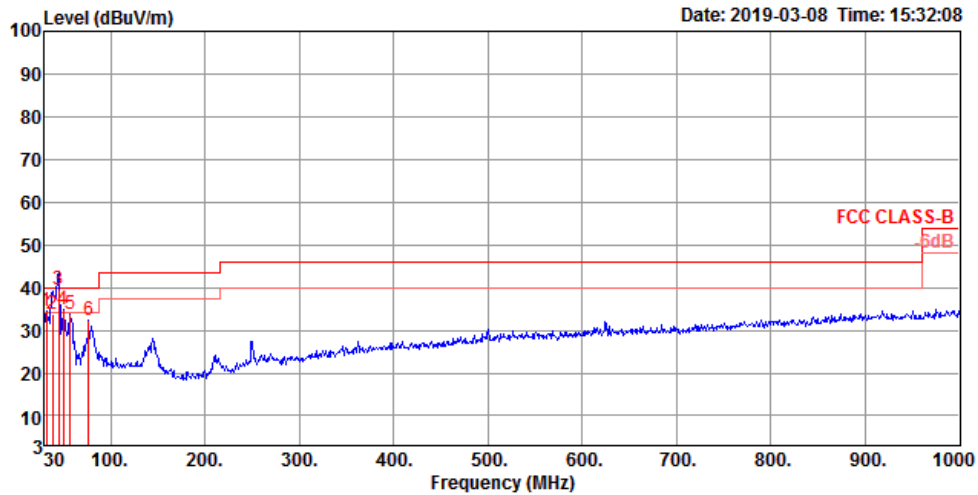
The radiated emissions were investigated from 9 kHz or the lowest frequency generated within the device, up to the 10 harmonic or 40 GHz, whichever is appropriate.



3.5.4.2 Test Result of Transmitter Spurious Emissions

Temp	22~24°C	Humidity	50~60%
Test Engineer	Paul Chen	Test Distance	3 m
Test Range	30 MHz – 1000 MHz	Test Configuration	CTX

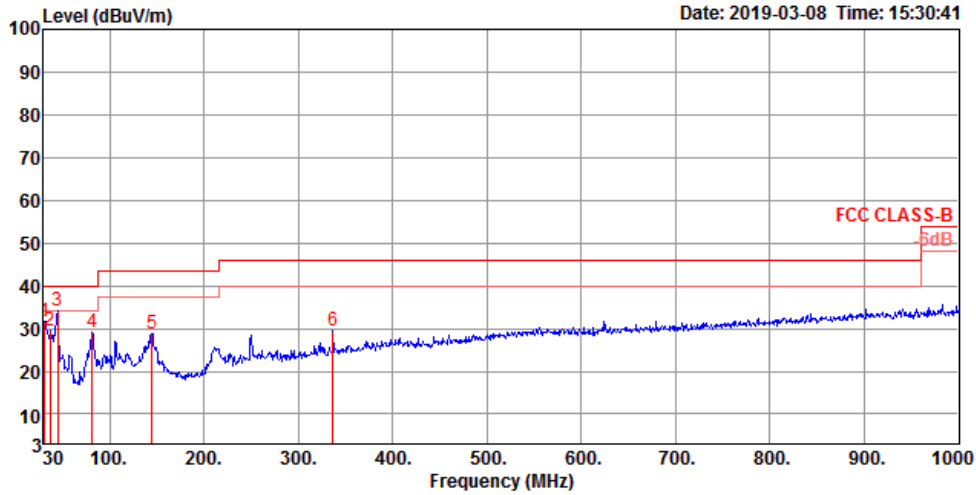
Vertical



	Freq	Level	Limit	Over	Read	CableAntenna	Preamp	A/Pos	T/Pos	Remark	Pol/Phase
	MHz	dBuV/m	dBuV/m	dB	dBuV	dB	dB/m	dB	cm	deg	
1	31.94	34.53	40.00	-5.47	40.80	0.71	24.51	31.49	125	162 Peak	VERTICAL
2	38.73	33.87	40.00	-6.13	44.19	0.81	20.51	31.64	100	0 QP	VERTICAL
3	44.55	39.67	40.00	-0.33	53.23	0.89	17.25	31.70	125	313 QP	VERTICAL
4	49.40	34.73	40.00	-5.27	50.47	0.92	15.09	31.75	125	360 Peak	VERTICAL
5	57.16	33.66	40.00	-6.34	51.32	0.95	13.19	31.80	100	74 Peak	VERTICAL
6	76.56	32.49	40.00	-7.51	50.14	1.14	13.06	31.85	125	124 Peak	VERTICAL



Horizontal



	Freq	Level	Limit	Over	Read	CableAntenna	Preamp	A/Pos	T/Pos	Remark	Pol/Phase	
	MHz	dBuV/m	dBuV/m	dB	dBuV	dB	dB/m	dB	cm	deg		
1	30.97	31.72	40.00	-8.28	37.38	0.69	25.11	31.46	300	139	Peak	HORIZONTAL
2	36.79	29.65	40.00	-10.35	38.78	0.78	21.69	31.60	150	55	Peak	HORIZONTAL
3	44.55	33.97	40.00	-6.03	47.53	0.89	17.25	31.70	300	232	Peak	HORIZONTAL
4	81.41	29.14	40.00	-10.86	46.26	1.15	13.59	31.86	200	129	Peak	HORIZONTAL
5	144.46	28.85	43.50	-14.65	41.82	1.53	17.39	31.89	200	121	Peak	HORIZONTAL
6	336.52	29.61	46.00	-16.39	38.46	2.39	20.82	32.06	300	34	Peak	HORIZONTAL



Temp	22~24°C	Humidity	50~60%
Test Engineer	Paul Chen	Test Distance	3 m
Test Range	1 GHz – 40 GHz	Test Configuration	CTX
Test Channel	3	Test Date	Mar. 08, 2019 ~ Mar. 20, 2019

Vertical

	Freq	Level	Limit Line	Over Limit	Read Level	CableAntenna Loss	Antenna Factor	Preamp Factor	A/Pos	T/Pos	Remark	Pol/Phase
	MHz	dBuV/m	dBuV/m	dB	dBuV	dB	dB/m	dB	cm	deg		
1	1125.07	27.94	54.00	-26.06	37.55	2.40	24.92	36.93	146	21	Average	VERTICAL
2	1125.07	35.95	74.00	-38.05	45.56	2.40	24.92	36.93	146	21	Peak	VERTICAL

Horizontal

	Freq	Level	Limit Line	Over Limit	Read Level	CableAntenna Loss	Antenna Factor	Preamp Factor	A/Pos	T/Pos	Remark	Pol/Phase
	MHz	dBuV/m	dBuV/m	dB	dBuV	dB	dB/m	dB	cm	deg		
1	1125.10	28.02	54.00	-25.98	37.63	2.40	24.92	36.93	107	183	Average	HORIZONTAL
2	1125.10	36.23	74.00	-37.77	45.84	2.40	24.92	36.93	107	183	Peak	HORIZONTAL



Temp	22~24°C	Humidity	50~60%
Test Engineer	Paul Chen	Test Date	Mar. 08, 2019 ~ Mar. 20, 2019
Test Range	40GHz – 200GHz		

Test Frequency (GHz)	Rx Antenna Gain (dBi)	Measurement Distance (m)	Read Worse Frequency (GHz)	Read Level (dBm)
58.32	23.6	0.50	50.03	-56.02
EIRP (dBm)	Specification Distance (m)	Power Density (pW/cm ²)	Limit (pW/cm ²)	Test Result
-19.21	3	10.5956	90	PASS

Test Frequency (GHz)	Rx Antenna Gain (dBi)	Measurement Distance (m)	Read Worse Frequency (GHz)	Read Level (dBm)
60.48	23.6	0.50	56.73	-64.46
EIRP (dBm)	Specification Distance (m)	Power Density (pW/cm ²)	Limit (pW/cm ²)	Test Result
-26.56	3	1.9511	90	PASS

Test Frequency (GHz)	Rx Antenna Gain (dBi)	Measurement Distance (m)	Read Worse Frequency (GHz)	Read Level (dBm)
62.64	23.6	0.50	50.59	-63.81
EIRP (dBm)	Specification Distance (m)	Power Density (pW/cm ²)	Limit (pW/cm ²)	Test Result
-26.91	3	1.8022	90	PASS



Test Frequency (GHz)	Rx Antenna Gain (dBi)	Measurement Distance (m)	Read Worse Frequency (GHz)	Read Level (dBm)
64.80	23.6	0.50	50.47	-52.73
EIRP (dBm)	Specification Distance (m)	Power Density (pW/cm ²)	Limit (pW/cm ²)	Test Result
-15.85	3	23.0002	90	PASS

Note:

$$EIRP = Prx - Grx + \text{Free Space Path Loss} = Prx - Grx + 20\text{Log}(4\pi d / \lambda)^2$$

Which

Prx = Read Level.

Grx = Rx Antenna Gain.

A distance factor is offset and the formula is 20LOG(D1/D2)

Which

D1 = Specification Distance

D2 = Measurement Distance

3.6 Frequency Stability

3.6.1 Limit of Frequency Stability

Frequency Stability	Limit
Refer as FCC 15.255(f) and ANSI C63.10-2013, clause 9.14	within the frequency bands
Note: These measurements shall also be performed at normal and extreme test conditions.	

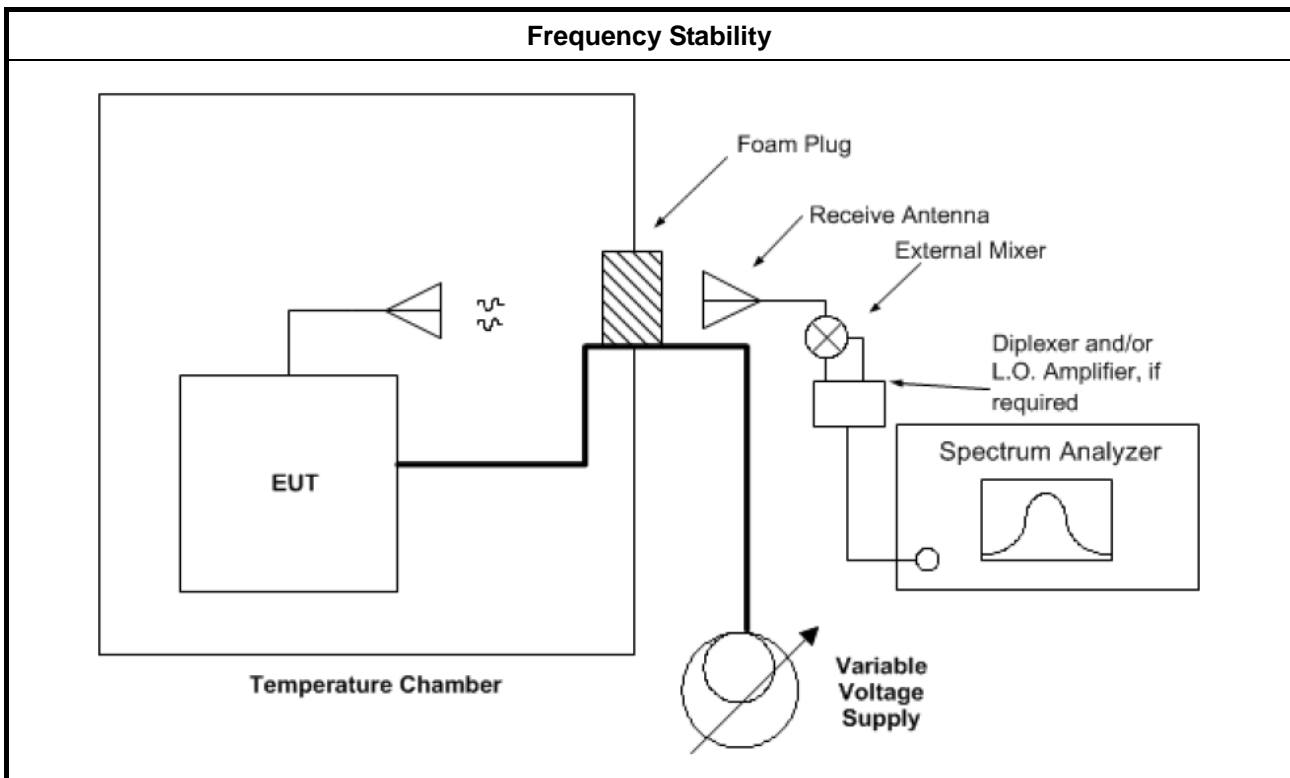
3.6.2 Measuring Instruments

Refer a measuring instruments list in this test report.

3.6.3 Test Procedures

Method of measurement: Refer as ANSI C63.10-2013, clauses 9.14.

3.6.4 Test Setup





3.6.5 Test Result of Frequency Stability

Test Conditions	see ANSI C63.10, clause 5.11 & clause 9
Test Setup	see ANSI C63.10, clause 9.14
NOTE: If equipment having different channel plan and nominal channel bandwidth modes (see test report clause 1.1.1), the measurements are uninfluenced by different channel plan and nominal channel bandwidth modes, may not need to be repeated for all modes.	

3.6.5.1 Frequency Stability with Respect to Ambient Temperature

Frequency Stability with Respect to Ambient Temperature			
Temp	22~24°C	Humidity	50~60%
Test Engineer	Paul Chen	Test Date	Mar. 08, 2019 ~ Mar. 20, 2019
Test Results			
Test Temperature (°C)	Measured Frequency (MHz)	Delta Frequency (kHz)	Limit (±kHz)
-40	60588.981	806	Within band
-30	60588.792	617	Within band
-20	60588.746	571	Within band
-10	60588.512	337	Within band
0	60588.388	213	Within band
10	60588.347	172	Within band
20	60588.175	Reference	Within band
30	60588.478	303	Within band
40	60588.521	346	Within band
50	60588.098	-77	Within band
60	60588.028	-147	Within band
70	60588.196	21	Within band
NOTE: The manufacturer's specified temperature range of -40 to 70°C.			



3.6.5.2 Frequency Stability When Varying Supply Voltage

Frequency Stability When Varying Supply Voltage			
Temp	22~24°C	Humidity	50~60%
Test Engineer	Paul Chen	Test Date	Mar. 08, 2019 ~ Mar. 20, 2019
Test Results			
Test Voltage: (Vdc)	Measured Frequency (MHz)	Delta Frequency (kHz)	Limit (±kHz)
20.4	60588.369	194	within band
24	60588.175	Reference	within band
27.6	60588.557	382	within band



3.7 Operation Restriction and Group Installation

3.7.1 Limit of Operation Restriction and Group Installation

Item	Limit
Operation Restriction	Operation is not permitted for the following products: <ul style="list-style-type: none">♦ Equipment used on aircraft or satellites. (Refer as FCC 15.255 (a))♦ Field disturbance sensors, including vehicle radar systems, unless the field disturbance sensors are employed for fixed operation. (Refer as FCC 15.255 (a))
Group Installation	Operation is not permitted for the following products: <ul style="list-style-type: none">♦ External phase-locking (Refer as FCC 15.255 (h))

3.7.2 Result of Operation Restriction

Manufacturer declares that EUT will not be used on aircraft or satellites. Then user manual will include a statement to caution EUT is not permitted for use on aircraft or satellites. EUT is a wireless video area network (WVAN) for the connection of consumer electronic (CE) audio and video devices.

3.7.3 Result of Group Installation

The frequency, amplitude and phase of the transmit signal are set within the EUT. There are no external phase-locking inputs or any other means of combining two or more units together to realize a beam-forming array.



4 Test Equipment and Calibration Data

Instrument	Manufacturer	Model No.	Serial No.	Characteristics	Calibration Date	Calibration Due Date	Remark
EMI Receiver	Agilent	N9038A	My52260123	9kHz ~ 8.45GHz	Jan. 28, 2019	Jan. 29, 2020	Conduction (CO01-CB)
LISN	F.C.C.	FCC-LISN-50-16-2	04083	150kHz ~ 100MHz	Dec. 24, 2018	Dec. 23, 2019	Conduction (CO01-CB)
LISN	Schwarzbeck	NSLK 8127	8127647	9kHz ~ 30MHz	Jan. 11, 2019	Jan. 10, 2020	Conduction (CO01-CB)
COND Cable	Woken	Cable	Low cable-CO01	150kHz ~ 30MHz	May 22, 2018	May 21, 2019	Conduction (CO01-CB)
Software	Audix	E3	6.120210n	-	N.C.R.	N.C.R.	Conduction (CO01-CB)
BILOG ANTENNA with 6dB Attenuator	TESEQ & EMCI	CBL6112D & N-6-06	37880 & AT-N0609	20MHz ~ 2GHz	Aug. 27, 2018	Aug. 26, 2019	Radiation (03CH01-CB)
Loop Antenna	Teseq	HLA 6120	24155	9kHz - 30 MHz	Mar. 16, 2018	Mar. 15, 2019	Radiation (03CH01-CB)
Horn Antenna	EMCO	3115	00075790	750MHz ~ 18GHz	Nov. 13, 2018	Nov. 12, 2019	Radiation (03CH01-CB)
Horn Antenna	Schwarzbeck	BBHA 9170	BBHA9170252	15GHz ~ 40GHz	Jun. 28, 2018	Jun. 27, 2019	Radiation (03CH01-CB)
Pre-Amplifier	EMCI	EMC330N	980332	20MHz ~ 3GHz	May 02, 2018	May 01, 2019	Radiation (03CH01-CB)
Pre-Amplifier	Agilent	8449B	3008A02310	1GHz ~ 26.5GHz	Jan. 08, 2019	Jan. 07, 2020	Radiation (03CH01-CB)
Pre-Amplifier	MITEQ	TTA1840-35-HG	1864479	18GHz ~ 40GHz	Jul. 04, 2018	Jul. 03, 2019	Radiation (03CH01-CB)
Spectrum Analyzer	R&S	FSP40	100056	9kHz ~ 40GHz	Jan. 31, 2019	Jan. 30, 2020	Radiation (03CH01-CB)
EMI Test Receiver	R&S	ESCS	100359	9kHz ~ 2.75GHz	Jul. 03, 2018	Jul. 02, 2019	Radiation (03CH01-CB)
RF Cable-low	Woken	Low Cable-16+17	N/A	30 MHz ~ 1 GHz	Oct. 08, 2018	Oct. 07, 2019	Radiation (03CH01-CB)
RF Cable-high	Woken	High Cable-16	N/A	1 GHz ~ 18 GHz	Oct. 08, 2018	Oct. 07, 2019	Radiation (03CH01-CB)
RF Cable-high	Woken	High Cable-16+17	N/A	1 GHz ~ 18 GHz	Oct. 08, 2018	Oct. 07, 2019	Radiation (03CH01-CB)
RF Cable-high	Woken	High Cable-40G#1	N/A	18GHz ~ 40 GHz	Jul. 27, 2018	Jul. 26, 2019	Radiation (03CH01-CB)
RF Cable-high	Woken	High Cable-40G#2	N/A	18GHz ~ 40 GHz	Jul. 27, 2018	Jul. 26, 2019	Radiation (03CH01-CB)
RF Cable-high	Woken	RG402	High Cable-06	1 GHz ~ 26.5 GHz	Oct. 08, 2018	Oct. 07, 2019	Radiation (03CH01-CB)
RF Cable-high	Woken	RG402	High Cable-07	1 GHz ~ 26.5 GHz	Oct. 08, 2018	Oct. 07, 2019	Radiation (03CH01-CB)



Instrument	Manufacturer	Model No.	Serial No.	Characteristics	Calibration Date	Calibration Due Date	Remark
RF Cable-high	Woken	RG402	High Cable-08	1 GHz –26.5 GHz	Oct. 08, 2018	Oct. 07, 2019	Radiation (03CH01-CB)
RF Cable-high	Woken	RG402	High Cable-09	1 GHz –26.5 GHz	Oct. 08, 2018	Oct. 07, 2019	Radiation (03CH01-CB)
RF Cable-high	Woken	RG402	High Cable-10	1 GHz –26.5 GHz	Oct. 08, 2018	Oct. 07, 2019	Radiation (03CH01-CB)
Mixer	OML	M19HW/A	U91113-1	40 ~ 60 GHz	*Oct. 12, 2017	*Oct. 11, 2019	Radiation (03CH01-CB)
Mixer	OML	M15HW/A	V91113-1	50 ~ 75 GHz	*Oct. 12, 2017	*Oct. 11, 2019	Radiation (03CH01-CB)
Mixer	OML	M12HW/A	E91113-1	60 ~ 90 GHz	*Oct. 12, 2017	*Oct. 11, 2019	Radiation (03CH01-CB)
Mixer	OML	M08HW/A	F91113-1	90 ~ 140 GHz	*Oct. 12, 2017	*Oct. 11, 2019	Radiation (03CH01-CB)
Mixer	OML	M05HW/A	G91113-1	140 ~ 220 GHz	*Oct. 12, 2017	*Oct. 11, 2019	Radiation (03CH01-CB)
Detector	Millitech	DET-15-RPF W0	#A18185(074)	50 ~ 75 GHz	*Jan. 29, 2018	*Jan. 29, 2020	Radiation (03CH01-CB)
Pico Scope	Pico	Pico Scope 6402C	CX372/002	N/A	Jul. 13, 2018	Jul. 12, 2019	Radiation (03CH01-CB)
Standard Horn Antenna	Custom Microwave	M19RH	U91113-A	40 ~ 60 GHz	N.C.R	N.C.R	Radiation (03CH01-CB)
Standard Horn Antenna	Custom Microwave	M15RH	V91113-A	50 ~ 75 GHz	N.C.R	N.C.R	Radiation (03CH01-CB)
Standard Horn Antenna	Custom Microwave	M12RH	E91113-A	60 ~ 90 GHz	N.C.R	N.C.R	Radiation (03CH01-CB)
Standard Horn Antenna	Custom Microwave	M08RH	F91113-A	90 ~ 140 GHz	N.C.R	N.C.R	Radiation (03CH01-CB)
Standard Horn Antenna	Custom Microwave	M05RH	G91113-A	140 ~ 220 GHz	N.C.R	N.C.R	Radiation (03CH01-CB)
Temp. and Humidity Chamber	Gaint Force	GTH-408-40-CP-AR	MAA1410-011	-40~100 degree	Sep. 14, 2018	Sep. 13, 2019	Conducted (TH01-CB)

Note: Calibration Interval of instruments listed above is one year.

*** Calibration Interval of instruments listed above is two years.

N.C.R. means Non-Calibration required.



5 Measurement Uncertainty

Test Items	Uncertainty	Remark
Conducted Emission (150kHz ~ 30MHz)	2.0 dB	Confidence levels of 95%
Radiated Emission (30MHz ~ 1,000MHz)	3.6 dB	Confidence levels of 95%
Radiated Emission (1GHz ~ 18GHz)	3.7 dB	Confidence levels of 95%
Radiated Emission (18GHz ~ 40GHz)	3.5 dB	Confidence levels of 95%
Radiated Emission (40GHz ~ 220GHz)	4.7 dB	Confidence levels of 95%
Temperature	0.7°C	Confidence levels of 95%