

FCC TEST REPORT

For

Enterprise Tablet

Model Number: P8100, P8100P

FCC ID: SWSP8100

Report Number : WT208001280

Test Laboratory : Shenzhen Academy of Metrology and Quality
Inspection
Site Location : NETC Building, No.4 Tongfa Rd., Xili, Nanshan,
Shenzhen, China
Tel : 0086-755-86928965
Fax : 0086-755-86009898-31396
Web : www.smq.com.cn
E-mail : emcrf@smq.com.cn

Test report declaration

Applicant : UROVO TECHNOLOGY CO.,LTD.
Address : 36F,High-Tech Zone Union Tower,No.63,Xuefu Road,Nanshan District,Shenzhen,Guangdong,China
Manufacturer : UROVO TECHNOLOGY CO.,LTD.
Address : 36F,High-Tech Zone Union Tower,No.63,Xuefu Road,Nanshan District,Shenzhen,Guangdong,China
EUT : Enterprise Tablet
Description :
Model No. : P8100, P8100P
Trade mark : UROVO
FCC ID : SWSP8100


Test Standards:

FCC PART 22H , 24E , 27 & 90S (2019)

The EUT described above is tested by Shenzhen Academy of Metrology and Quality Inspection EMC Laboratory to determine the maximum emissions from the EUT. Shenzhen Academy of Metrology and Quality Inspection EMC Laboratory is assumed full responsibility for the accuracy of the test results. The test data, data evaluation, test procedures, and equipment configurations shown in this report were made in accordance with the procedures given in ANSI C63.26 (2015) & KDB971168 and the energy emitted by the sample EUT tested as described in this report is in compliance with FCC Rules Part 22H, 24E, 27 and 90S.

The test report is valid for above tested sample only and shall not be reproduced in part without written approval of the laboratory.

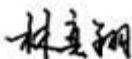
Project
Engineer:



(Zeng Wei 曾伟)

Date: Dec.16, 2020

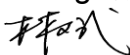
Checked by:



(Lin Yixiang 林奕翔)

Date: Dec.16, 2020

Approved by:



(Lin Bin 林斌)

Date: Dec.16, 2020

TABLE OF CONTENTS

TEST REPORT DECLARATION	2
1. TEST RESULTS SUMMARY	4
2. GENERAL INFORMATION	5
2.1. Report information	5
2.2. Laboratory Accreditation and Relationship to Customer	5
2.3. Measurement Uncertainty	6
3. PRODUCT DESCRIPTION	7
3.1. EUT Description	7
3.2. Related Submittal(s) / Grant (s)	8
3.3. Block Diagram of EUT Configuration	8
3.4. Operating Condition of EUT	9
3.5. Support Equipment List	70
3.6. Test Conditions	71
3.7. Special Accessories	71
3.8. Equipment Modifications	71
4. TEST EQUIPMENT USED	72
5. TEST RESULTS	73
5.1. RF Power Output	73
5.2. Peak to Average Ratio	127
5.3. Occupied Bandwidth/Emission Bandwidth	135
5.4. Spurious Emission at Antenna Terminal	199
5.5. Spurious Emissions Radiated	395
5.6. Frequency Stability	406

1. TEST RESULTS SUMMARY

Table 1 Test Results Summary

FCC Measurement Specification	FCC Limits Part(s)	Description	Result
2.1046	22.913 24.232 27.50(b) 27.50(c) 27.50(d) 27.50(h) 90.205 90.635	Effective Radiated Power of Transmitter	PASS
2.1046	22.913 24.232 27.50(b) 27.50(c) 27.50(d) 27.50(h)	Peak to Average Ratio	PASS
2.1049	22.917(b) 24.238(b) 27.53 90.209	Occupied Bandwidth	PASS
2.1051	22.917 24.238 27.53 90.691	Spurious Emission at Antenna Terminal	PASS
2.1053	22.917 24.238 27.53 90.691	Radiated Spurious Emissions	PASS
2.1055	22.355 24.235 27.54 90.213	Frequency Stability	PASS

Remark: "N/A" means "Not applicable."

The tests documented in this report were performed in accordance with ANSI C63.26 (2015), FCC CFR 47 Part 2, Part 22H, 24E, 27 & 90S.

2. GENERAL INFORMATION

2.1. Report information

This report is not a certificate of quality; it only applies to the sample of the specific product/equipment given at the time of its testing. The results are not used to indicate or imply that they are application to the similar items. In addition, such results must not be used to indicate or imply that SMQ approves recommends or endorses the manufacture, supplier or use of such product/equipment, or that SMQ in any way guarantees the later performance of the product/equipment.

The samples mentioned in this report is/are supplied by Applicant, SMQ therefore assumes no responsibility for the accuracy of information on the brand name, model number, origin of manufacture or any information supplied.

Additional copies of the report are available to the Applicant at an additional fee. No third part can obtain a copy of this report through SMQ, unless the applicant has authorized SMQ in writing to do so.

The lab will not be liable for any loss or damage resulting from false, inaccurate, inappropriate or incomplete product information provided by the applicant/manufacture.

2.2. Laboratory Accreditation and Relationship to Customer

The testing report were performed by the Shenzhen Academy of Metrology and quality Inspection EMC Laboratory (Guangdong EMC compliance testing center), in their facilities located at NETC Building, No.4 Tongfa Rd., Xili, Nanshan, Shenzhen, China. At the time of testing, Laboratory is accredited by the following organizations: China National Accreditation Service for Conformity Assessment (CNAS) accredits the Laboratory for conformance to FCC standards, EMC international standards and EN standards. The Registration Number is CNAS L0579.

The Laboratory is Accredited Testing Laboratory of FCC with Designation number CN1165 and Site registration number 582918.

The Laboratory is registered to perform emission tests with Innovation, Science and Economic Development (ISED), and the registration number is 11177A.

The Laboratory is registered to perform emission tests with VCCI, and the registration number are C-20048, G20076, R-20077, R-20078, and T-20047.

The Laboratory is Accredited Testing Laboratory of American Association for Laboratory Accreditation (A2LA) and certificate number is 3292.01.

2.3. Measurement Uncertainty

For a 95% confidence level ($k = 2$), the measurement expanded uncertainties for defined systems, in accordance with the recommendations of ISO 17025 as following:

Radiated Emission

30MHz~1000MHz 4.5dB

1GHz~26.5GHz 4.6dB

26dB & Occupied Bandwidth: $\pm 0.39\%$

Frequency Stability: $\pm 0.42\%$

Peak to Average Ratio: 0.45 dB

Conducted power: 0.3 dB

Temperature: ± 0.698

Supply voltages: $\pm 0.15\%$

3. PRODUCT DESCRIPTION

NOTE: The extreme test conditions for temperature and antenna gain were declared by the manufacturer.

3.1. EUT Description

Table 2 Specification of the Equipment under Test

Product Type:	Enterprise Tablet
Hardware Revision :	MC510_MB_V1.01_PCB
Software Revision :	SQ81_EN_XX_WE_DS_R01_D_200410_01
FCC ID:	SWSP8100
Frequency:	GSM850: TX 824MHz~849MHz RX 869MHz~894MHz PCS1900: TX 1850MHz~1910MHz RX 1930MHz~1990MHz WCDMA 850: TX 824MHz~849MHz RX 869MHz~894MHz WCDMA 1700: TX: 1710MHz~1755MHz RX 2110MHz~2155MHz WCDMA 1900: TX 1850MHz~1910MHz RX 1930MHz~1990MHz LTE Band 2: TX 1850MHz~1910MHz RX 1930MHz~1990MHz LTE Band 4: TX: 1710MHz~1755MHz RX 2110MHz~2155MHz LTE Band 5: TX 824MHz~849MHz RX 869MHz~894MHz LTE Band 7: TX 2500MHz~2570MHz RX 2620MHz~2690MHz LTE Band 12: TX 699MHz ~ 716MHz RX 729 ~ 746MHz LTE Band 13: TX 777MHz ~ 787MHz RX 746~ 756MHz LTE Band 17: TX 704MHz ~ 716MHz RX 734 ~ 746MHz LTE Band 25: TX 1850MHz~1915MHz RX 1930MHz~1995MHz LTE Band 26: TX 814MHz ~ 849 MHz RX 859 ~ 894MHz LTE Band 38: TX 2570MHz~2620MHz RX 2570MHz~2620MHz LTE Band 41: TX 2555MHz~2655MHz RX 2555MHz~2655MHz LTE Band 66: TX: 1710MHz~1780MHz RX 2110MHz~2200MHz
Type(s) of	GSM:GMSK, 8PSK

Modulation:	WCDMA:QPSK LTE:QPSK, 16QAM
-------------	-------------------------------

Antenna Type:	PIFA antenna
Antenna Gain:	699MHz~716MHz: -1.6 dBi 777MHz~787MHz: -1.6 dBi 814MHz~849MHz: -1.6 dBi 1710MHz~1780MHz: -1.2 dBi 1850MHz~1915MHz: -1.2 dBi 2500MHz~2655MHz: -2.2 dBi
Operating voltage:	DC: 3.7V (Low)/3.85V (Nominal)/ 4.35V (Max)

Table 3 Identification of the Equipment Under Test (EUT)

EUT	Serial Number/IMEI	HW Version	SW Version	Notes
1	862211041478934	MC510_MB_V1.01_PCB	SQ81_EN_XX_W E_DS_R01_D_200410_01	Conducted testing sample.
2	862211041455874	MC510_MB_V1.01_PCB	SQ81_EN_XX_W E_DS_R01_D_200410_01	Radiated testing sample.

Table 4 Identification of Accessory equipment

AE #	Type	Manufacturer	Model	Serial Number
--	--	--	--	--

Remark: All models are identical except model number, label. Unless otherwise specified, the model P8100 was chosen as representative model to perform all the tests.

3.2. Related Submittal(s) / Grant (s)

This submittal(s) (test report) is intended for FCC ID: SWSP8100 filing to comply with FCC PART 22H, 24E, 27 AND 90S.

3.3. Block Diagram of EUT Configuration

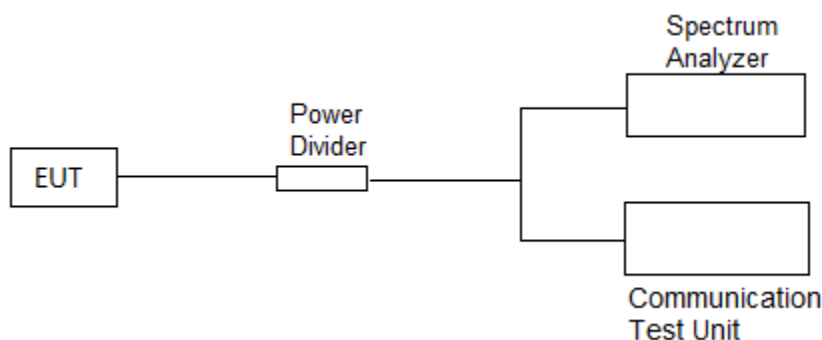


Figure 1 EUT setup of test mode 1, 2, 3, 4, 5

3.4. Operating Condition of EUT

During all testing, EUT is in link mode with base station emulator at maximum power level. The spurious emission measurements were carried out in semi-anechoic chamber with 3-meter test range, and EUT is rotated on three test planes to find out the worst emission (X plane).

- TM1:** GSM Mode with GMSK Modulation
- TM2:** EDGE Mode with 8PSK Modulation
- TM3:** WCDMA Mode with QPSK Modulation
- TM4:** LTE Mode with QPSK Modulation
- TM5:** LTE Mode with 16QAM Modulation

The maximum power levels are GSM mode for GMSK link, Edge mode for 8PSK link, WCDMA mode for QPSK link, LTE Mode for QPSK link ,LTE mode for 16QAM link, only these modes were used for all tests.

The conducted power tables are as follows:

Band: GSM850	Average Power [dBm]		
Channel	128	190	251
Frequency (MHz)	824.2	836.6	848.8
GSM (GMSK, 1 Tx slot)	32.63	32.70	32.55
GPRS (GMSK, 1 Tx slot)	32.62	32.74	32.56
GPRS (GMSK, 2 Tx slots)	31.28	30.96	31.04
GPRS (GMSK, 3 Tx slots)	30.32	30.02	30.09
GPRS (GMSK, 4 Tx slots)	27.23	27.22	26.92
EDGE (8PSK, 1 Tx slot)	27.03	26.81	26.87
EDGE (8PSK, 2 Tx slot)	25.47	25.28	25.32
EDGE (8PSK, 3 Tx slot)	23.78	23.64	23.69
EDGE (8PSK, 4 Tx slot)	21.34	21.42	21.35

Band: PCS1900	Average Power [dBm]		
Channel	512	661	810
Frequency (MHz)	1850.2	1880	1909.8
GSM (GMSK, 1 Tx slot)	29.88	30.20	30.37
GPRS (GMSK, 1 Tx slot)	30.07	30.36	30.45
GPRS (GMSK, 2 Tx slots)	28.29	28.71	28.88
GPRS (GMSK, 3 Tx slots)	27.34	27.69	27.52
GPRS (GMSK, 4 Tx slots)	25.10	25.40	25.66

EDGE (8PSK, 1 Tx slot)	25.66	25.76	26.02
EDGE (8PSK, 2 Tx slot)	24.27	24.45	24.66
EDGE (8PSK, 3 Tx slot)	22.18	22.30	22.51
EDGE (8PSK, 4 Tx slot)	20.06	20.22	20.39

Band: WCDMA Band V	Average Power [dBm]		
Channel	4,132	4,182	4,233
Frequency (MHz)	826.4	836.4	846.6
RMC 12.2K	22.69	22.61	22.73
HSDPA Subtest-1	21.66	21.59	21.70
HSDPA Subtest-2	20.55	20.76	20.96
HSDPA Subtest-3	20.83	20.75	20.84
HSDPA Subtest-4	20.83	20.74	20.85
HSUPA Subtest-1	21.52	21.38	21.49
HSUPA Subtest-2	19.49	19.34	19.50
HSUPA Subtest-3	20.51	20.38	20.52
HSUPA Subtest-4	19.51	19.46	19.60
HSUPA Subtest-5	21.50	21.49	21.61

Band: WCDMA Band IV	Average Power [dBm]		
Channel	1312	1413	1513
Frequency (MHz)	1712.4	1732.6	1752.6
RMC 12.2K	22.79	23.07	23.26
HSDPA Subtest-1	22.02	22.47	22.76
HSDPA Subtest-2	21.04	21.36	21.89
HSDPA Subtest-3	21.28	21.56	21.80
HSDPA Subtest-4	21.32	21.56	21.79
HSUPA Subtest-1	22.26	22.47	22.62
HSUPA Subtest-2	20.14	20.36	20.41
HSUPA Subtest-3	21.28	21.40	21.57
HSUPA Subtest-4	20.22	20.35	20.03
HSUPA Subtest-5	16.64	16.54	16.42

Band: WCDMA Band II	Average Power [dBm]		
Channel	9262	9400	9538
Frequency (MHz)	1852.4	1880.0	1907.6
RMC 12.2K	22.78	23.11	23.43
HSDPA Subtest-1	21.04	21.77	22.12
HSDPA Subtest-2	20.38	20.80	21.24
HSDPA Subtest-3	20.37	20.76	21.13
HSDPA Subtest-4	20.36	20.88	20.47
HSUPA Subtest-1	21.21	21.62	20.47
HSUPA Subtest-2	19.23	19.56	19.92
HSUPA Subtest-3	20.25	20.58	20.89
HSUPA Subtest-4	19.21	19.54	19.91
HSUPA Subtest-5	20.92	21.34	21.69

LTE Mode with QPSK Modulation(TM4) & LTE Mode with 16QAM Modulation(TM5)

Band	Bandwidth	Modulation	Channel	RB Configuration	Result(dBm)
Band2	1.4MHz	QPSK	18607	1RB#0	21.96
Band2	1.4MHz	QPSK	18607	1RB#3	22.22
Band2	1.4MHz	QPSK	18607	1RB#5	21.97
Band2	1.4MHz	QPSK	18607	3RB#3	22.02
Band2	1.4MHz	QPSK	18607	3RB#0	22.22
Band2	1.4MHz	QPSK	18607	3RB#1	22.01
Band2	1.4MHz	QPSK	18607	6RB#0	20.95
Band2	1.4MHz	QPSK	18900	1RB#0	22.43
Band2	1.4MHz	QPSK	18900	1RB#5	22.39
Band2	1.4MHz	QPSK	18900	1RB#3	22.35
Band2	1.4MHz	QPSK	18900	3RB#3	22.46
Band2	1.4MHz	QPSK	18900	3RB#0	22.46
Band2	1.4MHz	QPSK	18900	3RB#1	22.46
Band2	1.4MHz	QPSK	18900	6RB#0	21.31
Band2	1.4MHz	QPSK	19193	1RB#0	22.72
Band2	1.4MHz	QPSK	19193	1RB#3	22.91
Band2	1.4MHz	QPSK	19193	1RB#5	22.88
Band2	1.4MHz	QPSK	19193	3RB#3	22.60
Band2	1.4MHz	QPSK	19193	3RB#1	22.64

Band2	1.4MHz	QPSK	19193	3RB#0	22.82
Band2	1.4MHz	QPSK	19193	6RB#0	21.70
Band2	1.4MHz	16QAM	18607	1RB#3	21.21
Band2	1.4MHz	16QAM	18607	1RB#0	20.78
Band2	1.4MHz	16QAM	18607	1RB#5	21.05
Band2	1.4MHz	16QAM	18607	3RB#3	20.78
Band2	1.4MHz	16QAM	18607	3RB#1	20.77
Band2	1.4MHz	16QAM	18607	3RB#0	20.77
Band2	1.4MHz	16QAM	18607	6RB#0	19.63
Band2	1.4MHz	16QAM	18900	1RB#0	21.37
Band2	1.4MHz	16QAM	18900	1RB#3	21.31
Band2	1.4MHz	16QAM	18900	1RB#5	21.13
Band2	1.4MHz	16QAM	18900	3RB#0	21.24
Band2	1.4MHz	16QAM	18900	3RB#1	21.24
Band2	1.4MHz	16QAM	18900	3RB#3	21.22
Band2	1.4MHz	16QAM	18900	6RB#0	20.16
Band2	1.4MHz	16QAM	19193	1RB#3	22.12
Band2	1.4MHz	16QAM	19193	1RB#0	21.85
Band2	1.4MHz	16QAM	19193	1RB#5	21.85
Band2	1.4MHz	16QAM	19193	3RB#3	21.45
Band2	1.4MHz	16QAM	19193	3RB#0	21.45
Band2	1.4MHz	16QAM	19193	3RB#1	21.46
Band2	1.4MHz	16QAM	19193	6RB#0	20.62
Band2	3MHz	QPSK	18615	1RB#14	22.14
Band2	3MHz	QPSK	18615	1RB#7	22.14
Band2	3MHz	QPSK	18615	1RB#0	22.08
Band2	3MHz	QPSK	18615	8RB#4	20.82
Band2	3MHz	QPSK	18615	8RB#7	20.85
Band2	3MHz	QPSK	18615	8RB#0	20.91
Band2	3MHz	QPSK	18615	15RB#0	20.86
Band2	3MHz	QPSK	18900	1RB#7	22.31
Band2	3MHz	QPSK	18900	1RB#0	22.39
Band2	3MHz	QPSK	18900	1RB#14	22.36
Band2	3MHz	QPSK	18900	8RB#7	21.29
Band2	3MHz	QPSK	18900	8RB#0	21.38
Band2	3MHz	QPSK	18900	8RB#4	21.29

Band2	3MHz	QPSK	18900	15RB#0	21.30
Band2	3MHz	QPSK	19185	1RB#14	22.71
Band2	3MHz	QPSK	19185	1RB#7	22.61
Band2	3MHz	QPSK	19185	1RB#0	22.61
Band2	3MHz	QPSK	19185	8RB#0	21.74
Band2	3MHz	QPSK	19185	8RB#4	21.67
Band2	3MHz	QPSK	19185	8RB#7	21.59
Band2	3MHz	QPSK	19185	15RB#0	21.68
Band2	3MHz	16QAM	18615	1RB#7	21.29
Band2	3MHz	16QAM	18615	1RB#0	20.92
Band2	3MHz	16QAM	18615	1RB#14	20.90
Band2	3MHz	16QAM	18615	8RB#0	19.82
Band2	3MHz	16QAM	18615	8RB#7	19.77
Band2	3MHz	16QAM	18615	8RB#4	19.83
Band2	3MHz	16QAM	18615	15RB#0	19.75
Band2	3MHz	16QAM	18900	1RB#0	21.18
Band2	3MHz	16QAM	18900	1RB#14	21.17
Band2	3MHz	16QAM	18900	1RB#7	21.24
Band2	3MHz	16QAM	18900	8RB#0	20.30
Band2	3MHz	16QAM	18900	8RB#7	20.52
Band2	3MHz	16QAM	18900	8RB#4	20.41
Band2	3MHz	16QAM	18900	15RB#0	20.13
Band2	3MHz	16QAM	19185	1RB#7	21.66
Band2	3MHz	16QAM	19185	1RB#0	21.44
Band2	3MHz	16QAM	19185	1RB#14	21.65
Band2	3MHz	16QAM	19185	8RB#4	20.86
Band2	3MHz	16QAM	19185	8RB#0	20.86
Band2	3MHz	16QAM	19185	8RB#7	20.71
Band2	3MHz	16QAM	19185	15RB#0	20.61
Band2	5MHz	QPSK	18625	1RB#12	22.16
Band2	5MHz	QPSK	18625	1RB#0	22.11
Band2	5MHz	QPSK	18625	1RB#24	22.14
Band2	5MHz	QPSK	18625	12RB#0	20.94
Band2	5MHz	QPSK	18625	12RB#6	20.95
Band2	5MHz	QPSK	18625	12RB#13	20.83
Band2	5MHz	QPSK	18625	25RB#0	20.86

Band2	5MHz	QPSK	18900	1RB#24	22.24
Band2	5MHz	QPSK	18900	1RB#0	22.27
Band2	5MHz	QPSK	18900	1RB#12	22.48
Band2	5MHz	QPSK	18900	12RB#13	21.34
Band2	5MHz	QPSK	18900	12RB#0	21.32
Band2	5MHz	QPSK	18900	12RB#6	21.33
Band2	5MHz	QPSK	18900	25RB#0	21.24
Band2	5MHz	QPSK	19175	1RB#12	22.71
Band2	5MHz	QPSK	19175	1RB#24	22.62
Band2	5MHz	QPSK	19175	1RB#0	22.62
Band2	5MHz	QPSK	19175	12RB#13	21.65
Band2	5MHz	QPSK	19175	12RB#0	21.67
Band2	5MHz	QPSK	19175	12RB#6	21.60
Band2	5MHz	QPSK	19175	25RB#0	21.66
Band2	5MHz	16QAM	18625	1RB#12	20.82
Band2	5MHz	16QAM	18625	1RB#0	20.77
Band2	5MHz	16QAM	18625	1RB#24	20.99
Band2	5MHz	16QAM	18625	12RB#6	20.04
Band2	5MHz	16QAM	18625	12RB#0	20.03
Band2	5MHz	16QAM	18625	12RB#13	20.13
Band2	5MHz	16QAM	18625	25RB#0	19.96
Band2	5MHz	16QAM	18900	1RB#24	21.24
Band2	5MHz	16QAM	18900	1RB#0	21.31
Band2	5MHz	16QAM	18900	1RB#12	20.89
Band2	5MHz	16QAM	18900	12RB#0	20.14
Band2	5MHz	16QAM	18900	12RB#6	19.85
Band2	5MHz	16QAM	18900	12RB#13	20.06
Band2	5MHz	16QAM	18900	25RB#0	20.10
Band2	5MHz	16QAM	19175	1RB#24	21.26
Band2	5MHz	16QAM	19175	1RB#12	21.60
Band2	5MHz	16QAM	19175	1RB#0	21.51
Band2	5MHz	16QAM	19175	12RB#13	20.56
Band2	5MHz	16QAM	19175	12RB#0	20.58
Band2	5MHz	16QAM	19175	12RB#6	20.58
Band2	5MHz	16QAM	19175	25RB#0	20.50
Band2	10MHz	QPSK	18650	1RB#0	21.96

Band2	10MHz	QPSK	18650	1RB#24	22.36
Band2	10MHz	QPSK	18650	1RB#49	22.07
Band2	10MHz	QPSK	18650	25RB#0	20.89
Band2	10MHz	QPSK	18650	25RB#12	20.90
Band2	10MHz	QPSK	18650	25RB#25	20.92
Band2	10MHz	QPSK	18650	50RB#0	20.91
Band2	10MHz	QPSK	18900	1RB#0	22.38
Band2	10MHz	QPSK	18900	1RB#24	22.93
Band2	10MHz	QPSK	18900	1RB#49	22.55
Band2	10MHz	QPSK	18900	25RB#12	21.37
Band2	10MHz	QPSK	18900	25RB#0	21.36
Band2	10MHz	QPSK	18900	25RB#25	21.35
Band2	10MHz	QPSK	18900	50RB#0	21.32
Band2	10MHz	QPSK	19150	1RB#24	22.97
Band2	10MHz	QPSK	19150	1RB#49	22.49
Band2	10MHz	QPSK	19150	1RB#0	22.56
Band2	10MHz	QPSK	19150	25RB#0	21.81
Band2	10MHz	QPSK	19150	25RB#12	21.74
Band2	10MHz	QPSK	19150	25RB#25	21.71
Band2	10MHz	QPSK	19150	50RB#0	21.72
Band2	10MHz	16QAM	18650	1RB#49	21.05
Band2	10MHz	16QAM	18650	1RB#0	20.72
Band2	10MHz	16QAM	18650	1RB#24	21.13
Band2	10MHz	16QAM	18650	25RB#0	20.14
Band2	10MHz	16QAM	18650	25RB#25	20.06
Band2	10MHz	16QAM	18650	25RB#12	20.14
Band2	10MHz	16QAM	18650	50RB#0	19.96
Band2	10MHz	16QAM	18900	1RB#0	21.37
Band2	10MHz	16QAM	18900	1RB#24	22.39
Band2	10MHz	16QAM	18900	1RB#49	21.41
Band2	10MHz	16QAM	18900	25RB#12	20.30
Band2	10MHz	16QAM	18900	25RB#25	20.38
Band2	10MHz	16QAM	18900	25RB#0	20.29
Band2	10MHz	16QAM	18900	50RB#0	20.33
Band2	10MHz	16QAM	19150	1RB#24	22.18
Band2	10MHz	16QAM	19150	1RB#49	21.63

Band2	10MHz	16QAM	19150	1RB#0	21.56
Band2	10MHz	16QAM	19150	25RB#25	20.60
Band2	10MHz	16QAM	19150	25RB#12	20.61
Band2	10MHz	16QAM	19150	25RB#0	20.61
Band2	10MHz	16QAM	19150	50RB#0	20.54
Band2	15MHz	QPSK	18675	1RB#38	22.02
Band2	15MHz	QPSK	18675	1RB#74	21.89
Band2	15MHz	QPSK	18675	1RB#0	21.94
Band2	15MHz	QPSK	18675	38RB#37	20.82
Band2	15MHz	QPSK	18675	38RB#0	20.90
Band2	15MHz	QPSK	18675	38RB#18	20.90
Band2	15MHz	QPSK	18675	75RB#0	20.86
Band2	15MHz	QPSK	18900	1RB#0	22.33
Band2	15MHz	QPSK	18900	1RB#38	22.57
Band2	15MHz	QPSK	18900	1RB#74	22.44
Band2	15MHz	QPSK	18900	38RB#18	22.23
Band2	15MHz	QPSK	18900	38RB#37	21.48
Band2	15MHz	QPSK	18900	38RB#0	21.78
Band2	15MHz	QPSK	18900	75RB#0	21.31
Band2	15MHz	QPSK	19125	1RB#38	22.72
Band2	15MHz	QPSK	19125	1RB#74	22.33
Band2	15MHz	QPSK	19125	1RB#0	22.29
Band2	15MHz	QPSK	19125	38RB#0	21.50
Band2	15MHz	QPSK	19125	38RB#18	22.27
Band2	15MHz	QPSK	19125	38RB#37	21.58
Band2	15MHz	QPSK	19125	75RB#0	21.69
Band2	15MHz	16QAM	18675	1RB#0	20.68
Band2	15MHz	16QAM	18675	1RB#38	20.67
Band2	15MHz	16QAM	18675	1RB#74	20.69
Band2	15MHz	16QAM	18675	38RB#0	20.80
Band2	15MHz	16QAM	18675	38RB#18	20.68
Band2	15MHz	16QAM	18675	38RB#37	20.82
Band2	15MHz	16QAM	18675	75RB#0	19.89
Band2	15MHz	16QAM	18900	1RB#74	21.83
Band2	15MHz	16QAM	18900	1RB#0	21.35
Band2	15MHz	16QAM	18900	1RB#38	22.24

Band2	15MHz	16QAM	18900	38RB#18	21.79
Band2	15MHz	16QAM	18900	38RB#37	21.48
Band2	15MHz	16QAM	18900	38RB#0	21.76
Band2	15MHz	16QAM	18900	75RB#0	20.20
Band2	15MHz	16QAM	19125	1RB#0	21.38
Band2	15MHz	16QAM	19125	1RB#38	22.26
Band2	15MHz	16QAM	19125	1RB#74	21.69
Band2	15MHz	16QAM	19125	38RB#18	22.26
Band2	15MHz	16QAM	19125	38RB#37	21.59
Band2	15MHz	16QAM	19125	38RB#0	21.50
Band2	15MHz	16QAM	19125	75RB#0	20.50
Band2	20MHz	QPSK	18700	1RB#49	22.42
Band2	20MHz	QPSK	18700	1RB#99	21.87
Band2	20MHz	QPSK	18700	1RB#0	21.76
Band2	20MHz	QPSK	18700	50RB#0	20.79
Band2	20MHz	QPSK	18700	50RB#25	20.80
Band2	20MHz	QPSK	18700	50RB#50	20.89
Band2	20MHz	QPSK	18700	100RB#0	20.80
Band2	20MHz	QPSK	18900	1RB#99	22.24
Band2	20MHz	QPSK	18900	1RB#49	22.72
Band2	20MHz	QPSK	18900	1RB#0	22.22
Band2	20MHz	QPSK	18900	50RB#0	21.33
Band2	20MHz	QPSK	18900	50RB#25	21.22
Band2	20MHz	QPSK	18900	50RB#50	21.44
Band2	20MHz	QPSK	18900	100RB#0	21.29
Band2	20MHz	QPSK	19100	1RB#99	22.58
Band2	20MHz	QPSK	19100	1RB#0	22.43
Band2	20MHz	QPSK	19100	1RB#49	22.68
Band2	20MHz	QPSK	19100	50RB#25	21.45
Band2	20MHz	QPSK	19100	50RB#0	21.44
Band2	20MHz	QPSK	19100	50RB#50	21.74
Band2	20MHz	QPSK	19100	100RB#0	21.57
Band2	20MHz	16QAM	18700	1RB#49	21.06
Band2	20MHz	16QAM	18700	1RB#99	20.70
Band2	20MHz	16QAM	18700	1RB#0	20.70
Band2	20MHz	16QAM	18700	50RB#0	20.00

Band2	20MHz	16QAM	18700	50RB#25	19.97
Band2	20MHz	16QAM	18700	50RB#50	19.95
Band2	20MHz	16QAM	18700	100RB#0	19.83
Band2	20MHz	16QAM	18900	1RB#0	20.71
Band2	20MHz	16QAM	18900	1RB#49	21.97
Band2	20MHz	16QAM	18900	1RB#99	21.34
Band2	20MHz	16QAM	18900	50RB#0	20.34
Band2	20MHz	16QAM	18900	50RB#25	20.23
Band2	20MHz	16QAM	18900	50RB#50	20.41
Band2	20MHz	16QAM	18900	100RB#0	20.31
Band2	20MHz	16QAM	19100	1RB#0	21.97
Band2	20MHz	16QAM	19100	1RB#49	22.60
Band2	20MHz	16QAM	19100	1RB#99	22.14
Band2	20MHz	16QAM	19100	50RB#0	20.38
Band2	20MHz	16QAM	19100	50RB#25	20.39
Band2	20MHz	16QAM	19100	50RB#50	20.59
Band2	20MHz	16QAM	19100	100RB#0	20.45
Band4	1.4MHz	QPSK	19957	1RB#0	22.75
Band4	1.4MHz	QPSK	19957	1RB#5	22.69
Band4	1.4MHz	QPSK	19957	1RB#3	23.06
Band4	1.4MHz	QPSK	19957	3RB#3	22.76
Band4	1.4MHz	QPSK	19957	3RB#2	22.89
Band4	1.4MHz	QPSK	19957	3RB#0	22.79
Band4	1.4MHz	QPSK	19957	6RB#0	21.91
Band4	1.4MHz	QPSK	20175	1RB#5	22.93
Band4	1.4MHz	QPSK	20175	1RB#3	23.11
Band4	1.4MHz	QPSK	20175	1RB#0	22.79
Band4	1.4MHz	QPSK	20175	3RB#0	22.89
Band4	1.4MHz	QPSK	20175	3RB#3	22.81
Band4	1.4MHz	QPSK	20175	3RB#2	23.00
Band4	1.4MHz	QPSK	20175	6RB#0	21.80
Band4	1.4MHz	QPSK	20393	1RB#0	22.65
Band4	1.4MHz	QPSK	20393	1RB#3	22.96
Band4	1.4MHz	QPSK	20393	1RB#5	22.89
Band4	1.4MHz	QPSK	20393	3RB#0	22.82
Band4	1.4MHz	QPSK	20393	3RB#2	22.93

Band4	1.4MHz	QPSK	20393	3RB#3	22.58
Band4	1.4MHz	QPSK	20393	6RB#0	21.72
Band4	1.4MHz	16QAM	19957	1RB#3	21.76
Band4	1.4MHz	16QAM	19957	1RB#0	21.58
Band4	1.4MHz	16QAM	19957	1RB#5	21.56
Band4	1.4MHz	16QAM	19957	3RB#2	21.75
Band4	1.4MHz	16QAM	19957	3RB#0	21.75
Band4	1.4MHz	16QAM	19957	3RB#3	21.71
Band4	1.4MHz	16QAM	19957	6RB#0	20.91
Band4	1.4MHz	16QAM	20175	1RB#5	21.46
Band4	1.4MHz	16QAM	20175	1RB#3	22.22
Band4	1.4MHz	16QAM	20175	1RB#0	21.88
Band4	1.4MHz	16QAM	20175	3RB#3	21.72
Band4	1.4MHz	16QAM	20175	3RB#0	21.73
Band4	1.4MHz	16QAM	20175	3RB#2	21.76
Band4	1.4MHz	16QAM	20175	6RB#0	20.69
Band4	1.4MHz	16QAM	20393	1RB#3	22.06
Band4	1.4MHz	16QAM	20393	1RB#0	21.78
Band4	1.4MHz	16QAM	20393	1RB#5	21.74
Band4	1.4MHz	16QAM	20393	3RB#0	21.52
Band4	1.4MHz	16QAM	20393	3RB#2	21.52
Band4	1.4MHz	16QAM	20393	3RB#3	21.30
Band4	1.4MHz	16QAM	20393	6RB#0	20.83
Band4	3MHz	QPSK	19965	1RB#0	22.89
Band4	3MHz	QPSK	19965	1RB#7	22.76
Band4	3MHz	QPSK	19965	1RB#14	22.78
Band4	3MHz	QPSK	19965	8RB#0	21.89
Band4	3MHz	QPSK	19965	8RB#4	21.91
Band4	3MHz	QPSK	19965	8RB#7	21.74
Band4	3MHz	QPSK	19965	15RB#0	21.98
Band4	3MHz	QPSK	20175	1RB#14	22.88
Band4	3MHz	QPSK	20175	1RB#0	22.99
Band4	3MHz	QPSK	20175	1RB#7	22.85
Band4	3MHz	QPSK	20175	8RB#7	21.85
Band4	3MHz	QPSK	20175	8RB#0	22.01
Band4	3MHz	QPSK	20175	8RB#4	22.03

Band4	3MHz	QPSK	20175	15RB#0	21.81
Band4	3MHz	QPSK	20385	1RB#0	22.56
Band4	3MHz	QPSK	20385	1RB#7	22.80
Band4	3MHz	QPSK	20385	1RB#14	22.85
Band4	3MHz	QPSK	20385	8RB#0	21.68
Band4	3MHz	QPSK	20385	8RB#7	21.82
Band4	3MHz	QPSK	20385	8RB#4	21.69
Band4	3MHz	QPSK	20385	15RB#0	21.81
Band4	3MHz	16QAM	19965	1RB#7	21.72
Band4	3MHz	16QAM	19965	1RB#0	21.95
Band4	3MHz	16QAM	19965	1RB#14	21.61
Band4	3MHz	16QAM	19965	8RB#4	20.78
Band4	3MHz	16QAM	19965	8RB#0	20.89
Band4	3MHz	16QAM	19965	8RB#7	20.63
Band4	3MHz	16QAM	19965	15RB#0	20.78
Band4	3MHz	16QAM	20175	1RB#14	21.95
Band4	3MHz	16QAM	20175	1RB#7	22.20
Band4	3MHz	16QAM	20175	1RB#0	21.98
Band4	3MHz	16QAM	20175	8RB#0	20.88
Band4	3MHz	16QAM	20175	8RB#4	20.89
Band4	3MHz	16QAM	20175	8RB#7	20.93
Band4	3MHz	16QAM	20175	15RB#0	20.72
Band4	3MHz	16QAM	20385	1RB#0	21.85
Band4	3MHz	16QAM	20385	1RB#14	21.64
Band4	3MHz	16QAM	20385	1RB#7	21.94
Band4	3MHz	16QAM	20385	8RB#0	20.71
Band4	3MHz	16QAM	20385	8RB#4	20.71
Band4	3MHz	16QAM	20385	8RB#7	20.84
Band4	3MHz	16QAM	20385	15RB#0	20.72
Band4	5MHz	QPSK	19975	1RB#0	22.90
Band4	5MHz	QPSK	19975	1RB#12	23.04
Band4	5MHz	QPSK	19975	1RB#24	22.83
Band4	5MHz	QPSK	19975	12RB#6	21.92
Band4	5MHz	QPSK	19975	12RB#13	21.78
Band4	5MHz	QPSK	19975	12RB#0	21.97
Band4	5MHz	QPSK	19975	25RB#0	21.90

Band4	5MHz	QPSK	20175	1RB#0	23.00
Band4	5MHz	QPSK	20175	1RB#24	22.94
Band4	5MHz	QPSK	20175	1RB#12	23.06
Band4	5MHz	QPSK	20175	12RB#13	21.85
Band4	5MHz	QPSK	20175	12RB#6	22.01
Band4	5MHz	QPSK	20175	12RB#0	22.00
Band4	5MHz	QPSK	20175	25RB#0	21.85
Band4	5MHz	QPSK	20375	1RB#12	22.90
Band4	5MHz	QPSK	20375	1RB#24	22.87
Band4	5MHz	QPSK	20375	1RB#0	22.80
Band4	5MHz	QPSK	20375	12RB#6	21.82
Band4	5MHz	QPSK	20375	12RB#13	21.94
Band4	5MHz	QPSK	20375	12RB#0	21.89
Band4	5MHz	QPSK	20375	25RB#0	21.85
Band4	5MHz	16QAM	19975	1RB#12	21.66
Band4	5MHz	16QAM	19975	1RB#24	21.74
Band4	5MHz	16QAM	19975	1RB#0	21.70
Band4	5MHz	16QAM	19975	12RB#6	20.85
Band4	5MHz	16QAM	19975	12RB#13	20.63
Band4	5MHz	16QAM	19975	12RB#0	20.84
Band4	5MHz	16QAM	19975	25RB#0	20.80
Band4	5MHz	16QAM	20175	1RB#24	21.99
Band4	5MHz	16QAM	20175	1RB#12	22.02
Band4	5MHz	16QAM	20175	1RB#0	22.10
Band4	5MHz	16QAM	20175	12RB#13	20.81
Band4	5MHz	16QAM	20175	12RB#6	20.95
Band4	5MHz	16QAM	20175	12RB#0	20.95
Band4	5MHz	16QAM	20175	25RB#0	20.91
Band4	5MHz	16QAM	20375	1RB#0	21.63
Band4	5MHz	16QAM	20375	1RB#24	21.92
Band4	5MHz	16QAM	20375	1RB#12	21.90
Band4	5MHz	16QAM	20375	12RB#0	20.92
Band4	5MHz	16QAM	20375	12RB#13	20.76
Band4	5MHz	16QAM	20375	12RB#6	20.92
Band4	5MHz	16QAM	20375	25RB#0	20.67
Band4	10MHz	QPSK	20000	1RB#49	22.74

Band4	10MHz	QPSK	20000	1RB#24	22.99
Band4	10MHz	QPSK	20000	1RB#0	22.76
Band4	10MHz	QPSK	20000	25RB#12	21.87
Band4	10MHz	QPSK	20000	25RB#25	21.93
Band4	10MHz	QPSK	20000	25RB#0	21.98
Band4	10MHz	QPSK	20000	50RB#0	21.83
Band4	10MHz	QPSK	20175	1RB#24	23.25
Band4	10MHz	QPSK	20175	1RB#0	22.80
Band4	10MHz	QPSK	20175	1RB#49	22.98
Band4	10MHz	QPSK	20175	25RB#25	21.83
Band4	10MHz	QPSK	20175	25RB#0	21.92
Band4	10MHz	QPSK	20175	25RB#12	21.94
Band4	10MHz	QPSK	20175	50RB#0	21.78
Band4	10MHz	QPSK	20350	1RB#49	22.82
Band4	10MHz	QPSK	20350	1RB#0	22.58
Band4	10MHz	QPSK	20350	1RB#24	22.73
Band4	10MHz	QPSK	20350	25RB#25	21.77
Band4	10MHz	QPSK	20350	25RB#12	21.70
Band4	10MHz	QPSK	20350	25RB#0	21.69
Band4	10MHz	QPSK	20350	50RB#0	21.74
Band4	10MHz	16QAM	20000	1RB#49	21.50
Band4	10MHz	16QAM	20000	1RB#0	21.73
Band4	10MHz	16QAM	20000	1RB#24	22.08
Band4	10MHz	16QAM	20000	25RB#25	20.84
Band4	10MHz	16QAM	20000	25RB#0	20.88
Band4	10MHz	16QAM	20000	25RB#12	20.88
Band4	10MHz	16QAM	20000	50RB#0	20.85
Band4	10MHz	16QAM	20175	1RB#0	22.27
Band4	10MHz	16QAM	20175	1RB#49	22.35
Band4	10MHz	16QAM	20175	1RB#24	22.43
Band4	10MHz	16QAM	20175	25RB#25	20.75
Band4	10MHz	16QAM	20175	25RB#12	20.89
Band4	10MHz	16QAM	20175	25RB#0	20.72
Band4	10MHz	16QAM	20175	50RB#0	20.78
Band4	10MHz	16QAM	20350	1RB#0	21.63
Band4	10MHz	16QAM	20350	1RB#49	21.87

Band4	10MHz	16QAM	20350	1RB#24	22.08
Band4	10MHz	16QAM	20350	25RB#0	20.56
Band4	10MHz	16QAM	20350	25RB#12	20.57
Band4	10MHz	16QAM	20350	25RB#25	20.66
Band4	10MHz	16QAM	20350	50RB#0	20.63
Band4	15MHz	QPSK	20025	1RB#0	22.51
Band4	15MHz	QPSK	20025	1RB#74	22.64
Band4	15MHz	QPSK	20025	1RB#38	22.57
Band4	15MHz	QPSK	20025	38RB#0	21.80
Band4	15MHz	QPSK	20025	38RB#18	21.59
Band4	15MHz	QPSK	20025	38RB#37	21.89
Band4	15MHz	QPSK	20025	75RB#0	21.82
Band4	15MHz	QPSK	20175	1RB#0	22.65
Band4	15MHz	QPSK	20175	1RB#74	22.43
Band4	15MHz	QPSK	20175	1RB#38	22.60
Band4	15MHz	QPSK	20175	38RB#37	21.52
Band4	15MHz	QPSK	20175	38RB#0	21.59
Band4	15MHz	QPSK	20175	38RB#18	21.76
Band4	15MHz	QPSK	20175	75RB#0	21.84
Band4	15MHz	QPSK	20325	1RB#38	22.82
Band4	15MHz	QPSK	20325	1RB#74	22.81
Band4	15MHz	QPSK	20325	1RB#0	22.96
Band4	15MHz	QPSK	20325	38RB#0	22.41
Band4	15MHz	QPSK	20325	38RB#18	22.71
Band4	15MHz	QPSK	20325	38RB#37	22.32
Band4	15MHz	QPSK	20325	75RB#0	21.80
Band4	15MHz	16QAM	20025	1RB#0	21.82
Band4	15MHz	16QAM	20025	1RB#74	21.78
Band4	15MHz	16QAM	20025	1RB#38	21.69
Band4	15MHz	16QAM	20025	38RB#18	21.61
Band4	15MHz	16QAM	20025	38RB#37	21.89
Band4	15MHz	16QAM	20025	38RB#0	21.80
Band4	15MHz	16QAM	20025	75RB#0	20.79
Band4	15MHz	16QAM	20175	1RB#38	21.71
Band4	15MHz	16QAM	20175	1RB#74	21.50
Band4	15MHz	16QAM	20175	1RB#0	21.68

Band4	15MHz	16QAM	20175	38RB#0	21.75
Band4	15MHz	16QAM	20175	38RB#18	21.72
Band4	15MHz	16QAM	20175	38RB#37	21.52
Band4	15MHz	16QAM	20175	75RB#0	20.73
Band4	15MHz	16QAM	20325	1RB#0	21.95
Band4	15MHz	16QAM	20325	1RB#38	22.71
Band4	15MHz	16QAM	20325	1RB#74	21.94
Band4	15MHz	16QAM	20325	38RB#0	22.38
Band4	15MHz	16QAM	20325	38RB#18	22.71
Band4	15MHz	16QAM	20325	38RB#37	22.33
Band4	15MHz	16QAM	20325	75RB#0	20.72
Band4	20MHz	QPSK	20050	1RB#49	23.12
Band4	20MHz	QPSK	20050	1RB#0	22.67
Band4	20MHz	QPSK	20050	1RB#99	22.89
Band4	20MHz	QPSK	20050	50RB#0	21.92
Band4	20MHz	QPSK	20050	50RB#25	21.93
Band4	20MHz	QPSK	20050	50RB#50	21.89
Band4	20MHz	QPSK	20050	100RB#0	21.87
Band4	20MHz	QPSK	20175	1RB#99	22.71
Band4	20MHz	QPSK	20175	1RB#49	22.88
Band4	20MHz	QPSK	20175	1RB#0	22.86
Band4	20MHz	QPSK	20175	50RB#0	21.94
Band4	20MHz	QPSK	20175	50RB#50	21.85
Band4	20MHz	QPSK	20175	50RB#25	21.95
Band4	20MHz	QPSK	20175	100RB#0	21.86
Band4	20MHz	QPSK	20300	1RB#0	22.78
Band4	20MHz	QPSK	20300	1RB#49	23.00
Band4	20MHz	QPSK	20300	1RB#99	22.61
Band4	20MHz	QPSK	20300	50RB#0	22.00
Band4	20MHz	QPSK	20300	50RB#50	21.80
Band4	20MHz	QPSK	20300	50RB#25	22.01
Band4	20MHz	QPSK	20300	100RB#0	21.86
Band4	20MHz	16QAM	20050	1RB#99	21.87
Band4	20MHz	16QAM	20050	1RB#0	21.38
Band4	20MHz	16QAM	20050	1RB#49	22.45
Band4	20MHz	16QAM	20050	50RB#0	20.92

Band4	20MHz	16QAM	20050	50RB#25	20.92
Band4	20MHz	16QAM	20050	50RB#50	20.89
Band4	20MHz	16QAM	20050	100RB#0	20.88
Band4	20MHz	16QAM	20175	1RB#99	22.31
Band4	20MHz	16QAM	20175	1RB#49	22.82
Band4	20MHz	16QAM	20175	1RB#0	22.46
Band4	20MHz	16QAM	20175	50RB#0	20.97
Band4	20MHz	16QAM	20175	50RB#25	20.96
Band4	20MHz	16QAM	20175	50RB#50	20.87
Band4	20MHz	16QAM	20175	100RB#0	20.86
Band4	20MHz	16QAM	20300	1RB#99	21.75
Band4	20MHz	16QAM	20300	1RB#49	21.82
Band4	20MHz	16QAM	20300	1RB#0	21.79
Band4	20MHz	16QAM	20300	50RB#0	20.99
Band4	20MHz	16QAM	20300	50RB#25	20.99
Band4	20MHz	16QAM	20300	50RB#50	20.76
Band4	20MHz	16QAM	20300	100RB#0	20.87
Band5	1.4MHz	QPSK	20407	1RB#5	22.65
Band5	1.4MHz	QPSK	20407	1RB#3	22.58
Band5	1.4MHz	QPSK	20407	1RB#0	22.55
Band5	1.4MHz	QPSK	20407	3RB#3	22.61
Band5	1.4MHz	QPSK	20407	3RB#2	22.61
Band5	1.4MHz	QPSK	20407	3RB#0	22.82
Band5	1.4MHz	QPSK	20407	6RB#0	21.72
Band5	1.4MHz	QPSK	20525	1RB#3	23.06
Band5	1.4MHz	QPSK	20525	1RB#5	22.96
Band5	1.4MHz	QPSK	20525	1RB#0	22.77
Band5	1.4MHz	QPSK	20525	3RB#3	22.87
Band5	1.4MHz	QPSK	20525	3RB#2	23.02
Band5	1.4MHz	QPSK	20525	3RB#0	23.03
Band5	1.4MHz	QPSK	20525	6RB#0	21.74
Band5	1.4MHz	QPSK	20643	1RB#0	22.82
Band5	1.4MHz	QPSK	20643	1RB#5	22.82
Band5	1.4MHz	QPSK	20643	1RB#3	22.92
Band5	1.4MHz	QPSK	20643	3RB#2	22.89
Band5	1.4MHz	QPSK	20643	3RB#3	22.83

Band5	1.4MHz	QPSK	20643	3RB#0	23.00
Band5	1.4MHz	QPSK	20643	6RB#0	21.83
Band5	1.4MHz	16QAM	20407	1RB#0	21.73
Band5	1.4MHz	16QAM	20407	1RB#5	21.49
Band5	1.4MHz	16QAM	20407	1RB#3	21.63
Band5	1.4MHz	16QAM	20407	3RB#0	21.60
Band5	1.4MHz	16QAM	20407	3RB#3	21.69
Band5	1.4MHz	16QAM	20407	3RB#2	21.64
Band5	1.4MHz	16QAM	20407	6RB#0	20.26
Band5	1.4MHz	16QAM	20525	1RB#3	22.17
Band5	1.4MHz	16QAM	20525	1RB#5	21.82
Band5	1.4MHz	16QAM	20525	1RB#0	22.10
Band5	1.4MHz	16QAM	20525	3RB#0	21.82
Band5	1.4MHz	16QAM	20525	3RB#3	21.79
Band5	1.4MHz	16QAM	20525	3RB#2	21.82
Band5	1.4MHz	16QAM	20525	6RB#0	20.83
Band5	1.4MHz	16QAM	20643	1RB#0	21.65
Band5	1.4MHz	16QAM	20643	1RB#3	22.02
Band5	1.4MHz	16QAM	20643	1RB#5	21.70
Band5	1.4MHz	16QAM	20643	3RB#2	21.55
Band5	1.4MHz	16QAM	20643	3RB#3	21.62
Band5	1.4MHz	16QAM	20643	3RB#0	21.56
Band5	1.4MHz	16QAM	20643	6RB#0	20.87
Band5	3MHz	QPSK	20415	1RB#0	22.63
Band5	3MHz	QPSK	20415	1RB#14	22.68
Band5	3MHz	QPSK	20415	1RB#7	22.50
Band5	3MHz	QPSK	20415	8RB#7	21.79
Band5	3MHz	QPSK	20415	8RB#0	21.75
Band5	3MHz	QPSK	20415	8RB#4	21.78
Band5	3MHz	QPSK	20415	15RB#0	21.69
Band5	3MHz	QPSK	20525	1RB#7	23.04
Band5	3MHz	QPSK	20525	1RB#14	23.15
Band5	3MHz	QPSK	20525	1RB#0	22.82
Band5	3MHz	QPSK	20525	8RB#4	21.77
Band5	3MHz	QPSK	20525	8RB#0	21.87
Band5	3MHz	QPSK	20525	8RB#7	21.83

Band5	3MHz	QPSK	20525	15RB#0	21.78
Band5	3MHz	QPSK	20635	1RB#14	22.72
Band5	3MHz	QPSK	20635	1RB#7	22.64
Band5	3MHz	QPSK	20635	1RB#0	22.71
Band5	3MHz	QPSK	20635	8RB#4	21.84
Band5	3MHz	QPSK	20635	8RB#7	21.76
Band5	3MHz	QPSK	20635	8RB#0	21.83
Band5	3MHz	QPSK	20635	15RB#0	21.88
Band5	3MHz	16QAM	20415	1RB#14	21.27
Band5	3MHz	16QAM	20415	1RB#0	21.65
Band5	3MHz	16QAM	20415	1RB#7	21.32
Band5	3MHz	16QAM	20415	8RB#0	20.51
Band5	3MHz	16QAM	20415	8RB#7	20.52
Band5	3MHz	16QAM	20415	8RB#4	20.51
Band5	3MHz	16QAM	20415	15RB#0	20.41
Band5	3MHz	16QAM	20525	1RB#0	21.83
Band5	3MHz	16QAM	20525	1RB#7	22.15
Band5	3MHz	16QAM	20525	1RB#14	22.16
Band5	3MHz	16QAM	20525	8RB#7	20.81
Band5	3MHz	16QAM	20525	8RB#4	20.64
Band5	3MHz	16QAM	20525	8RB#0	20.64
Band5	3MHz	16QAM	20525	15RB#0	20.64
Band5	3MHz	16QAM	20635	1RB#14	21.67
Band5	3MHz	16QAM	20635	1RB#0	21.63
Band5	3MHz	16QAM	20635	1RB#7	21.60
Band5	3MHz	16QAM	20635	8RB#7	20.97
Band5	3MHz	16QAM	20635	8RB#4	20.86
Band5	3MHz	16QAM	20635	8RB#0	20.85
Band5	3MHz	16QAM	20635	15RB#0	20.91
Band5	5MHz	QPSK	20425	1RB#0	22.61
Band5	5MHz	QPSK	20425	1RB#24	22.67
Band5	5MHz	QPSK	20425	1RB#12	22.66
Band5	5MHz	QPSK	20425	12RB#0	21.71
Band5	5MHz	QPSK	20425	12RB#6	21.73
Band5	5MHz	QPSK	20425	12RB#13	21.75
Band5	5MHz	QPSK	20425	25RB#0	21.69

Band5	5MHz	QPSK	20525	1RB#24	22.91
Band5	5MHz	QPSK	20525	1RB#12	22.92
Band5	5MHz	QPSK	20525	1RB#0	22.76
Band5	5MHz	QPSK	20525	12RB#0	21.84
Band5	5MHz	QPSK	20525	12RB#6	21.75
Band5	5MHz	QPSK	20525	12RB#13	21.77
Band5	5MHz	QPSK	20525	25RB#0	21.80
Band5	5MHz	QPSK	20625	1RB#24	22.72
Band5	5MHz	QPSK	20625	1RB#12	23.02
Band5	5MHz	QPSK	20625	1RB#0	22.98
Band5	5MHz	QPSK	20625	12RB#13	21.86
Band5	5MHz	QPSK	20625	12RB#6	21.86
Band5	5MHz	QPSK	20625	12RB#0	21.76
Band5	5MHz	QPSK	20625	25RB#0	21.84
Band5	5MHz	16QAM	20425	1RB#0	21.61
Band5	5MHz	16QAM	20425	1RB#12	21.30
Band5	5MHz	16QAM	20425	1RB#24	21.38
Band5	5MHz	16QAM	20425	12RB#6	20.66
Band5	5MHz	16QAM	20425	12RB#0	20.69
Band5	5MHz	16QAM	20425	12RB#13	20.52
Band5	5MHz	16QAM	20425	25RB#0	20.78
Band5	5MHz	16QAM	20525	1RB#0	21.80
Band5	5MHz	16QAM	20525	1RB#12	21.93
Band5	5MHz	16QAM	20525	1RB#24	21.69
Band5	5MHz	16QAM	20525	12RB#0	20.90
Band5	5MHz	16QAM	20525	12RB#6	20.90
Band5	5MHz	16QAM	20525	12RB#13	20.73
Band5	5MHz	16QAM	20525	25RB#0	20.66
Band5	5MHz	16QAM	20625	1RB#12	21.85
Band5	5MHz	16QAM	20625	1RB#24	21.67
Band5	5MHz	16QAM	20625	1RB#0	22.06
Band5	5MHz	16QAM	20625	12RB#6	20.67
Band5	5MHz	16QAM	20625	12RB#0	20.67
Band5	5MHz	16QAM	20625	12RB#13	20.69
Band5	5MHz	16QAM	20625	25RB#0	20.96
Band5	10MHz	QPSK	20450	1RB#49	22.61

Band5	10MHz	QPSK	20450	1RB#24	22.61
Band5	10MHz	QPSK	20450	1RB#0	22.60
Band5	10MHz	QPSK	20450	25RB#25	21.84
Band5	10MHz	QPSK	20450	25RB#12	21.73
Band5	10MHz	QPSK	20450	25RB#0	21.71
Band5	10MHz	QPSK	20450	50RB#0	21.89
Band5	10MHz	QPSK	20525	1RB#49	23.04
Band5	10MHz	QPSK	20525	1RB#24	22.89
Band5	10MHz	QPSK	20525	1RB#0	22.74
Band5	10MHz	QPSK	20525	25RB#0	21.79
Band5	10MHz	QPSK	20525	25RB#25	21.85
Band5	10MHz	QPSK	20525	25RB#12	21.79
Band5	10MHz	QPSK	20525	50RB#0	21.82
Band5	10MHz	QPSK	20600	1RB#24	22.73
Band5	10MHz	QPSK	20600	1RB#49	22.67
Band5	10MHz	QPSK	20600	1RB#0	22.87
Band5	10MHz	QPSK	20600	25RB#0	21.78
Band5	10MHz	QPSK	20600	25RB#12	21.80
Band5	10MHz	QPSK	20600	25RB#25	21.85
Band5	10MHz	QPSK	20600	50RB#0	21.76
Band5	10MHz	16QAM	20450	1RB#49	21.67
Band5	10MHz	16QAM	20450	1RB#24	21.75
Band5	10MHz	16QAM	20450	1RB#0	21.36
Band5	10MHz	16QAM	20450	25RB#12	20.46
Band5	10MHz	16QAM	20450	25RB#0	20.52
Band5	10MHz	16QAM	20450	25RB#25	20.71
Band5	10MHz	16QAM	20450	50RB#0	20.76
Band5	10MHz	16QAM	20525	1RB#0	21.47
Band5	10MHz	16QAM	20525	1RB#24	21.74
Band5	10MHz	16QAM	20525	1RB#49	21.86
Band5	10MHz	16QAM	20525	25RB#12	20.98
Band5	10MHz	16QAM	20525	25RB#0	20.98
Band5	10MHz	16QAM	20525	25RB#25	20.96
Band5	10MHz	16QAM	20525	50RB#0	20.73
Band5	10MHz	16QAM	20600	1RB#0	21.77
Band5	10MHz	16QAM	20600	1RB#24	22.29

Band5	10MHz	16QAM	20600	1RB#49	21.81
Band5	10MHz	16QAM	20600	25RB#25	20.64
Band5	10MHz	16QAM	20600	25RB#12	20.86
Band5	10MHz	16QAM	20600	25RB#0	20.85
Band5	10MHz	16QAM	20600	50RB#0	20.74
Band7	5MHz	QPSK	20775	1RB#0	23.28
Band7	5MHz	QPSK	20775	1RB#12	23.20
Band7	5MHz	QPSK	20775	1RB#24	23.14
Band7	5MHz	QPSK	20775	12RB#0	22.17
Band7	5MHz	QPSK	20775	12RB#6	22.09
Band7	5MHz	QPSK	20775	12RB#13	22.30
Band7	5MHz	QPSK	20775	25RB#0	22.21
Band7	5MHz	QPSK	21100	1RB#24	23.13
Band7	5MHz	QPSK	21100	1RB#12	23.15
Band7	5MHz	QPSK	21100	1RB#0	23.36
Band7	5MHz	QPSK	21100	12RB#13	22.25
Band7	5MHz	QPSK	21100	12RB#6	22.19
Band7	5MHz	QPSK	21100	12RB#0	22.27
Band7	5MHz	QPSK	21100	25RB#0	22.23
Band7	5MHz	QPSK	21425	1RB#24	23.36
Band7	5MHz	QPSK	21425	1RB#0	23.35
Band7	5MHz	QPSK	21425	1RB#12	23.46
Band7	5MHz	QPSK	21425	12RB#6	22.19
Band7	5MHz	QPSK	21425	12RB#0	22.17
Band7	5MHz	QPSK	21425	12RB#13	22.29
Band7	5MHz	QPSK	21425	25RB#0	22.19
Band7	5MHz	16QAM	20775	1RB#0	22.18
Band7	5MHz	16QAM	20775	1RB#12	22.12
Band7	5MHz	16QAM	20775	1RB#24	22.16
Band7	5MHz	16QAM	20775	12RB#6	20.99
Band7	5MHz	16QAM	20775	12RB#0	20.99
Band7	5MHz	16QAM	20775	12RB#13	21.12
Band7	5MHz	16QAM	20775	25RB#0	21.43
Band7	5MHz	16QAM	21100	1RB#12	22.21
Band7	5MHz	16QAM	21100	1RB#0	22.21
Band7	5MHz	16QAM	21100	1RB#24	22.22

Band7	5MHz	16QAM	21100	12RB#0	21.18
Band7	5MHz	16QAM	21100	12RB#6	21.18
Band7	5MHz	16QAM	21100	12RB#13	21.24
Band7	5MHz	16QAM	21100	25RB#0	21.34
Band7	5MHz	16QAM	21425	1RB#0	22.28
Band7	5MHz	16QAM	21425	1RB#24	22.46
Band7	5MHz	16QAM	21425	1RB#12	22.05
Band7	5MHz	16QAM	21425	12RB#0	21.24
Band7	5MHz	16QAM	21425	12RB#6	21.25
Band7	5MHz	16QAM	21425	12RB#13	21.02
Band7	5MHz	16QAM	21425	25RB#0	21.17
Band7	10MHz	QPSK	20800	1RB#0	23.05
Band7	10MHz	QPSK	20800	1RB#49	23.12
Band7	10MHz	QPSK	20800	1RB#24	23.02
Band7	10MHz	QPSK	20800	25RB#0	22.22
Band7	10MHz	QPSK	20800	25RB#25	22.28
Band7	10MHz	QPSK	20800	25RB#12	22.23
Band7	10MHz	QPSK	20800	50RB#0	22.23
Band7	10MHz	QPSK	21100	1RB#0	23.15
Band7	10MHz	QPSK	21100	1RB#49	23.21
Band7	10MHz	QPSK	21100	1RB#24	23.54
Band7	10MHz	QPSK	21100	25RB#12	22.23
Band7	10MHz	QPSK	21100	25RB#0	22.27
Band7	10MHz	QPSK	21100	25RB#25	22.17
Band7	10MHz	QPSK	21100	50RB#0	22.22
Band7	10MHz	QPSK	21400	1RB#0	23.03
Band7	10MHz	QPSK	21400	1RB#24	23.00
Band7	10MHz	QPSK	21400	1RB#49	23.17
Band7	10MHz	QPSK	21400	25RB#25	22.25
Band7	10MHz	QPSK	21400	25RB#0	22.25
Band7	10MHz	QPSK	21400	25RB#12	22.27
Band7	10MHz	QPSK	21400	50RB#0	22.27
Band7	10MHz	16QAM	20800	1RB#0	21.99
Band7	10MHz	16QAM	20800	1RB#24	22.05
Band7	10MHz	16QAM	20800	1RB#49	22.23
Band7	10MHz	16QAM	20800	25RB#12	21.31

Band7	10MHz	16QAM	20800	25RB#0	21.31
Band7	10MHz	16QAM	20800	25RB#25	21.30
Band7	10MHz	16QAM	20800	50RB#0	21.24
Band7	10MHz	16QAM	21100	1RB#49	22.17
Band7	10MHz	16QAM	21100	1RB#24	22.40
Band7	10MHz	16QAM	21100	1RB#0	22.28
Band7	10MHz	16QAM	21100	25RB#12	21.18
Band7	10MHz	16QAM	21100	25RB#0	21.18
Band7	10MHz	16QAM	21100	25RB#25	21.30
Band7	10MHz	16QAM	21100	50RB#0	21.34
Band7	10MHz	16QAM	21400	1RB#0	22.08
Band7	10MHz	16QAM	21400	1RB#24	22.72
Band7	10MHz	16QAM	21400	1RB#49	22.81
Band7	10MHz	16QAM	21400	25RB#12	21.04
Band7	10MHz	16QAM	21400	25RB#25	21.04
Band7	10MHz	16QAM	21400	25RB#0	21.13
Band7	10MHz	16QAM	21400	50RB#0	21.26
Band7	15MHz	QPSK	20825	1RB#38	23.12
Band7	15MHz	QPSK	20825	1RB#74	23.29
Band7	15MHz	QPSK	20825	1RB#0	23.00
Band7	15MHz	QPSK	20825	38RB#0	22.59
Band7	15MHz	QPSK	20825	38RB#18	22.71
Band7	15MHz	QPSK	20825	38RB#37	22.25
Band7	15MHz	QPSK	20825	75RB#0	22.28
Band7	15MHz	QPSK	21100	1RB#38	23.05
Band7	15MHz	QPSK	21100	1RB#0	23.10
Band7	15MHz	QPSK	21100	1RB#74	23.03
Band7	15MHz	QPSK	21100	38RB#0	22.30
Band7	15MHz	QPSK	21100	38RB#37	22.17
Band7	15MHz	QPSK	21100	38RB#18	22.21
Band7	15MHz	QPSK	21100	75RB#0	22.26
Band7	15MHz	QPSK	21375	1RB#74	23.21
Band7	15MHz	QPSK	21375	1RB#0	23.03
Band7	15MHz	QPSK	21375	1RB#38	22.89
Band7	15MHz	QPSK	21375	38RB#0	21.83
Band7	15MHz	QPSK	21375	38RB#18	21.93

Band7	15MHz	QPSK	21375	38RB#37	22.12
Band7	15MHz	QPSK	21375	75RB#0	22.22
Band7	15MHz	16QAM	20825	1RB#0	22.26
Band7	15MHz	16QAM	20825	1RB#74	22.25
Band7	15MHz	16QAM	20825	1RB#38	22.73
Band7	15MHz	16QAM	20825	38RB#37	22.26
Band7	15MHz	16QAM	20825	38RB#0	22.60
Band7	15MHz	16QAM	20825	38RB#18	22.73
Band7	15MHz	16QAM	20825	75RB#0	21.32
Band7	15MHz	16QAM	21100	1RB#74	22.16
Band7	15MHz	16QAM	21100	1RB#38	22.21
Band7	15MHz	16QAM	21100	1RB#0	22.29
Band7	15MHz	16QAM	21100	38RB#37	22.17
Band7	15MHz	16QAM	21100	38RB#18	22.22
Band7	15MHz	16QAM	21100	38RB#0	22.29
Band7	15MHz	16QAM	21100	75RB#0	21.25
Band7	15MHz	16QAM	21375	1RB#0	22.14
Band7	15MHz	16QAM	21375	1RB#38	22.02
Band7	15MHz	16QAM	21375	1RB#74	22.00
Band7	15MHz	16QAM	21375	38RB#0	21.83
Band7	15MHz	16QAM	21375	38RB#18	21.93
Band7	15MHz	16QAM	21375	38RB#37	22.16
Band7	15MHz	16QAM	21375	75RB#0	21.23
Band7	20MHz	QPSK	20850	1RB#99	23.07
Band7	20MHz	QPSK	20850	1RB#0	23.06
Band7	20MHz	QPSK	20850	1RB#49	23.29
Band7	20MHz	QPSK	20850	50RB#0	22.31
Band7	20MHz	QPSK	20850	50RB#50	22.31
Band7	20MHz	QPSK	20850	50RB#25	22.31
Band7	20MHz	QPSK	20850	100RB#0	22.31
Band7	20MHz	QPSK	21100	1RB#0	23.30
Band7	20MHz	QPSK	21100	1RB#49	23.32
Band7	20MHz	QPSK	21100	1RB#99	23.31
Band7	20MHz	QPSK	21100	50RB#50	22.18
Band7	20MHz	QPSK	21100	50RB#0	22.28
Band7	20MHz	QPSK	21100	50RB#25	22.28

Band7	20MHz	QPSK	21100	100RB#0	22.21
Band7	20MHz	QPSK	21350	1RB#49	23.39
Band7	20MHz	QPSK	21350	1RB#99	23.31
Band7	20MHz	QPSK	21350	1RB#0	23.18
Band7	20MHz	QPSK	21350	50RB#0	22.08
Band7	20MHz	QPSK	21350	50RB#25	22.09
Band7	20MHz	QPSK	21350	50RB#50	22.25
Band7	20MHz	QPSK	21350	100RB#0	22.21
Band7	20MHz	16QAM	20850	1RB#0	22.06
Band7	20MHz	16QAM	20850	1RB#49	22.31
Band7	20MHz	16QAM	20850	1RB#99	22.07
Band7	20MHz	16QAM	20850	50RB#25	21.28
Band7	20MHz	16QAM	20850	50RB#50	21.31
Band7	20MHz	16QAM	20850	50RB#0	21.29
Band7	20MHz	16QAM	20850	100RB#0	21.40
Band7	20MHz	16QAM	21100	1RB#49	22.78
Band7	20MHz	16QAM	21100	1RB#99	22.56
Band7	20MHz	16QAM	21100	1RB#0	22.74
Band7	20MHz	16QAM	21100	50RB#50	21.12
Band7	20MHz	16QAM	21100	50RB#25	21.12
Band7	20MHz	16QAM	21100	50RB#0	21.22
Band7	20MHz	16QAM	21100	100RB#0	21.21
Band7	20MHz	16QAM	21350	1RB#99	22.11
Band7	20MHz	16QAM	21350	1RB#49	21.64
Band7	20MHz	16QAM	21350	1RB#0	21.67
Band7	20MHz	16QAM	21350	50RB#0	21.17
Band7	20MHz	16QAM	21350	50RB#25	21.17
Band7	20MHz	16QAM	21350	50RB#50	21.44
Band7	20MHz	16QAM	21350	100RB#0	21.24
Band12	1.4MHz	QPSK	23017	1RB#0	22.60
Band12	1.4MHz	QPSK	23017	1RB#5	23.10
Band12	1.4MHz	QPSK	23017	1RB#3	22.86
Band12	1.4MHz	QPSK	23017	3RB#2	22.76
Band12	1.4MHz	QPSK	23017	3RB#0	22.95
Band12	1.4MHz	QPSK	23017	3RB#3	22.79
Band12	1.4MHz	QPSK	23017	6RB#0	21.98

Band12	1.4MHz	QPSK	23095	1RB#0	22.90
Band12	1.4MHz	QPSK	23095	1RB#3	23.12
Band12	1.4MHz	QPSK	23095	1RB#5	22.90
Band12	1.4MHz	QPSK	23095	3RB#2	22.88
Band12	1.4MHz	QPSK	23095	3RB#3	23.05
Band12	1.4MHz	QPSK	23095	3RB#0	23.28
Band12	1.4MHz	QPSK	23095	6RB#0	22.11
Band12	1.4MHz	QPSK	23173	1RB#0	23.46
Band12	1.4MHz	QPSK	23173	1RB#5	23.45
Band12	1.4MHz	QPSK	23173	1RB#3	23.29
Band12	1.4MHz	QPSK	23173	3RB#2	23.34
Band12	1.4MHz	QPSK	23173	3RB#3	23.38
Band12	1.4MHz	QPSK	23173	3RB#0	23.34
Band12	1.4MHz	QPSK	23173	6RB#0	22.45
Band12	1.4MHz	16QAM	23017	1RB#0	21.84
Band12	1.4MHz	16QAM	23017	1RB#3	21.87
Band12	1.4MHz	16QAM	23017	1RB#5	22.13
Band12	1.4MHz	16QAM	23017	3RB#0	21.74
Band12	1.4MHz	16QAM	23017	3RB#2	21.74
Band12	1.4MHz	16QAM	23017	3RB#3	21.90
Band12	1.4MHz	16QAM	23017	6RB#0	20.82
Band12	1.4MHz	16QAM	23095	1RB#0	22.47
Band12	1.4MHz	16QAM	23095	1RB#3	22.52
Band12	1.4MHz	16QAM	23095	1RB#5	22.19
Band12	1.4MHz	16QAM	23095	3RB#2	21.57
Band12	1.4MHz	16QAM	23095	3RB#3	22.05
Band12	1.4MHz	16QAM	23095	3RB#0	21.91
Band12	1.4MHz	16QAM	23095	6RB#0	21.12
Band12	1.4MHz	16QAM	23173	1RB#0	22.48
Band12	1.4MHz	16QAM	23173	1RB#5	22.27
Band12	1.4MHz	16QAM	23173	1RB#3	22.69
Band12	1.4MHz	16QAM	23173	3RB#3	21.96
Band12	1.4MHz	16QAM	23173	3RB#0	22.17
Band12	1.4MHz	16QAM	23173	3RB#2	22.20
Band12	1.4MHz	16QAM	23173	6RB#0	21.24
Band12	3MHz	QPSK	23025	1RB#0	22.53

Band12	3MHz	QPSK	23025	1RB#7	22.68
Band12	3MHz	QPSK	23025	1RB#14	23.01
Band12	3MHz	QPSK	23025	8RB#4	21.89
Band12	3MHz	QPSK	23025	8RB#7	21.91
Band12	3MHz	QPSK	23025	8RB#0	21.88
Band12	3MHz	QPSK	23025	15RB#0	21.76
Band12	3MHz	QPSK	23095	1RB#0	23.25
Band12	3MHz	QPSK	23095	1RB#7	23.28
Band12	3MHz	QPSK	23095	1RB#14	23.01
Band12	3MHz	QPSK	23095	8RB#0	22.14
Band12	3MHz	QPSK	23095	8RB#7	21.98
Band12	3MHz	QPSK	23095	8RB#4	22.05
Band12	3MHz	QPSK	23095	15RB#0	22.12
Band12	3MHz	QPSK	23165	1RB#14	23.48
Band12	3MHz	QPSK	23165	1RB#0	23.27
Band12	3MHz	QPSK	23165	1RB#7	23.48
Band12	3MHz	QPSK	23165	8RB#7	22.52
Band12	3MHz	QPSK	23165	8RB#4	22.49
Band12	3MHz	QPSK	23165	8RB#0	22.46
Band12	3MHz	QPSK	23165	15RB#0	22.48
Band12	3MHz	16QAM	23025	1RB#14	21.81
Band12	3MHz	16QAM	23025	1RB#7	21.89
Band12	3MHz	16QAM	23025	1RB#0	21.84
Band12	3MHz	16QAM	23025	8RB#0	20.76
Band12	3MHz	16QAM	23025	8RB#7	20.78
Band12	3MHz	16QAM	23025	8RB#4	20.76
Band12	3MHz	16QAM	23025	15RB#0	20.74
Band12	3MHz	16QAM	23095	1RB#0	22.08
Band12	3MHz	16QAM	23095	1RB#7	22.40
Band12	3MHz	16QAM	23095	1RB#14	22.05
Band12	3MHz	16QAM	23095	8RB#7	20.98
Band12	3MHz	16QAM	23095	8RB#0	20.94
Band12	3MHz	16QAM	23095	8RB#4	20.94
Band12	3MHz	16QAM	23095	15RB#0	20.94
Band12	3MHz	16QAM	23165	1RB#0	22.46
Band12	3MHz	16QAM	23165	1RB#14	22.02

Band12	3MHz	16QAM	23165	1RB#7	22.56
Band12	3MHz	16QAM	23165	8RB#4	21.58
Band12	3MHz	16QAM	23165	8RB#7	21.55
Band12	3MHz	16QAM	23165	8RB#0	21.57
Band12	3MHz	16QAM	23165	15RB#0	21.40
Band12	5MHz	QPSK	23035	1RB#24	22.64
Band12	5MHz	QPSK	23035	1RB#12	22.84
Band12	5MHz	QPSK	23035	1RB#0	22.63
Band12	5MHz	QPSK	23035	12RB#6	21.79
Band12	5MHz	QPSK	23035	12RB#13	21.72
Band12	5MHz	QPSK	23035	12RB#0	21.77
Band12	5MHz	QPSK	23035	25RB#0	21.78
Band12	5MHz	QPSK	23095	1RB#12	23.08
Band12	5MHz	QPSK	23095	1RB#0	22.82
Band12	5MHz	QPSK	23095	1RB#24	22.81
Band12	5MHz	QPSK	23095	12RB#13	22.07
Band12	5MHz	QPSK	23095	12RB#6	22.02
Band12	5MHz	QPSK	23095	12RB#0	22.02
Band12	5MHz	QPSK	23095	25RB#0	22.07
Band12	5MHz	QPSK	23155	1RB#0	23.16
Band12	5MHz	QPSK	23155	1RB#12	23.37
Band12	5MHz	QPSK	23155	1RB#24	23.16
Band12	5MHz	QPSK	23155	12RB#0	22.24
Band12	5MHz	QPSK	23155	12RB#6	22.25
Band12	5MHz	QPSK	23155	12RB#13	22.29
Band12	5MHz	QPSK	23155	25RB#0	22.34
Band12	5MHz	16QAM	23035	1RB#0	21.81
Band12	5MHz	16QAM	23035	1RB#24	21.93
Band12	5MHz	16QAM	23035	1RB#12	21.55
Band12	5MHz	16QAM	23035	12RB#0	20.87
Band12	5MHz	16QAM	23035	12RB#6	20.82
Band12	5MHz	16QAM	23035	12RB#13	20.87
Band12	5MHz	16QAM	23035	25RB#0	20.70
Band12	5MHz	16QAM	23095	1RB#0	21.88
Band12	5MHz	16QAM	23095	1RB#12	22.01
Band12	5MHz	16QAM	23095	1RB#24	21.87

Band12	5MHz	16QAM	23095	12RB#6	20.92
Band12	5MHz	16QAM	23095	12RB#13	20.95
Band12	5MHz	16QAM	23095	12RB#0	20.92
Band12	5MHz	16QAM	23095	25RB#0	21.11
Band12	5MHz	16QAM	23155	1RB#24	22.24
Band12	5MHz	16QAM	23155	1RB#0	22.23
Band12	5MHz	16QAM	23155	1RB#12	22.19
Band12	5MHz	16QAM	23155	12RB#13	21.45
Band12	5MHz	16QAM	23155	12RB#0	21.12
Band12	5MHz	16QAM	23155	12RB#6	21.33
Band12	5MHz	16QAM	23155	25RB#0	21.35
Band12	10MHz	QPSK	23060	1RB#49	22.97
Band12	10MHz	QPSK	23060	1RB#24	22.97
Band12	10MHz	QPSK	23060	1RB#0	22.71
Band12	10MHz	QPSK	23060	25RB#12	21.75
Band12	10MHz	QPSK	23060	25RB#25	22.10
Band12	10MHz	QPSK	23060	25RB#0	21.76
Band12	10MHz	QPSK	23060	50RB#0	22.01
Band12	10MHz	QPSK	23095	1RB#49	23.14
Band12	10MHz	QPSK	23095	1RB#0	22.98
Band12	10MHz	QPSK	23095	1RB#24	23.39
Band12	10MHz	QPSK	23095	25RB#12	21.93
Band12	10MHz	QPSK	23095	25RB#25	22.06
Band12	10MHz	QPSK	23095	25RB#0	21.93
Band12	10MHz	QPSK	23095	50RB#0	22.03
Band12	10MHz	QPSK	23130	1RB#49	23.16
Band12	10MHz	QPSK	23130	1RB#24	23.10
Band12	10MHz	QPSK	23130	1RB#0	22.65
Band12	10MHz	QPSK	23130	25RB#0	22.15
Band12	10MHz	QPSK	23130	25RB#12	22.15
Band12	10MHz	QPSK	23130	25RB#25	22.25
Band12	10MHz	QPSK	23130	50RB#0	22.28
Band12	10MHz	16QAM	23060	1RB#49	21.90
Band12	10MHz	16QAM	23060	1RB#24	22.36
Band12	10MHz	16QAM	23060	1RB#0	21.56
Band12	10MHz	16QAM	23060	25RB#12	20.60

Band12	10MHz	16QAM	23060	25RB#25	21.19
Band12	10MHz	16QAM	23060	25RB#0	20.64
Band12	10MHz	16QAM	23060	50RB#0	21.05
Band12	10MHz	16QAM	23095	1RB#0	22.13
Band12	10MHz	16QAM	23095	1RB#49	22.34
Band12	10MHz	16QAM	23095	1RB#24	22.86
Band12	10MHz	16QAM	23095	25RB#25	21.14
Band12	10MHz	16QAM	23095	25RB#12	21.02
Band12	10MHz	16QAM	23095	25RB#0	21.03
Band12	10MHz	16QAM	23095	50RB#0	20.94
Band12	10MHz	16QAM	23130	1RB#49	22.39
Band12	10MHz	16QAM	23130	1RB#24	22.62
Band12	10MHz	16QAM	23130	1RB#0	21.85
Band12	10MHz	16QAM	23130	25RB#0	21.23
Band12	10MHz	16QAM	23130	25RB#12	21.24
Band12	10MHz	16QAM	23130	25RB#25	21.33
Band12	10MHz	16QAM	23130	50RB#0	21.18
Band13	5MHz	QPSK	23205	1RB#24	23.21
Band13	5MHz	QPSK	23205	1RB#12	23.33
Band13	5MHz	QPSK	23205	1RB#0	23.11
Band13	5MHz	QPSK	23205	12RB#6	22.11
Band13	5MHz	QPSK	23205	12RB#13	22.11
Band13	5MHz	QPSK	23205	12RB#0	22.18
Band13	5MHz	QPSK	23205	25RB#0	22.16
Band13	5MHz	QPSK	23230	1RB#12	23.41
Band13	5MHz	QPSK	23230	1RB#0	23.13
Band13	5MHz	QPSK	23230	1RB#24	23.09
Band13	5MHz	QPSK	23230	12RB#13	22.13
Band13	5MHz	QPSK	23230	12RB#0	22.20
Band13	5MHz	QPSK	23230	12RB#6	22.11
Band13	5MHz	QPSK	23230	25RB#0	22.06
Band13	5MHz	QPSK	23255	1RB#24	23.11
Band13	5MHz	QPSK	23255	1RB#0	22.97
Band13	5MHz	QPSK	23255	1RB#12	23.16
Band13	5MHz	QPSK	23255	12RB#13	22.09
Band13	5MHz	QPSK	23255	12RB#0	22.11

Band13	5MHz	QPSK	23255	12RB#6	22.13
Band13	5MHz	QPSK	23255	25RB#0	22.10
Band13	5MHz	16QAM	23205	1RB#24	22.17
Band13	5MHz	16QAM	23205	1RB#0	22.12
Band13	5MHz	16QAM	23205	1RB#12	21.93
Band13	5MHz	16QAM	23205	12RB#13	21.26
Band13	5MHz	16QAM	23205	12RB#6	21.25
Band13	5MHz	16QAM	23205	12RB#0	21.24
Band13	5MHz	16QAM	23205	25RB#0	21.02
Band13	5MHz	16QAM	23230	1RB#24	22.11
Band13	5MHz	16QAM	23230	1RB#0	22.19
Band13	5MHz	16QAM	23230	1RB#12	22.59
Band13	5MHz	16QAM	23230	12RB#13	20.88
Band13	5MHz	16QAM	23230	12RB#6	20.69
Band13	5MHz	16QAM	23230	12RB#0	21.00
Band13	5MHz	16QAM	23230	25RB#0	21.08
Band13	5MHz	16QAM	23255	1RB#24	21.85
Band13	5MHz	16QAM	23255	1RB#12	21.78
Band13	5MHz	16QAM	23255	1RB#0	21.69
Band13	5MHz	16QAM	23255	12RB#13	21.03
Band13	5MHz	16QAM	23255	12RB#6	21.20
Band13	5MHz	16QAM	23255	12RB#0	21.20
Band13	5MHz	16QAM	23255	25RB#0	20.95
Band13	10MHz	QPSK	23230	1RB#0	22.99
Band13	10MHz	QPSK	23230	1RB#24	23.36
Band13	10MHz	QPSK	23230	1RB#49	22.97
Band13	10MHz	QPSK	23230	25RB#25	22.14
Band13	10MHz	QPSK	23230	25RB#12	22.15
Band13	10MHz	QPSK	23230	25RB#0	22.15
Band13	10MHz	QPSK	23230	50RB#0	22.08
Band13	10MHz	16QAM	23230	1RB#24	22.47
Band13	10MHz	16QAM	23230	1RB#0	21.85
Band13	10MHz	16QAM	23230	1RB#49	22.18
Band13	10MHz	16QAM	23230	25RB#12	21.14
Band13	10MHz	16QAM	23230	25RB#25	21.23
Band13	10MHz	16QAM	23230	25RB#0	21.14

Band13	10MHz	16QAM	23230	50RB#0	21.08
Band17	5MHz	QPSK	23755	1RB#0	23.04
Band17	5MHz	QPSK	23755	1RB#12	23.30
Band17	5MHz	QPSK	23755	1RB#24	23.15
Band17	5MHz	QPSK	23755	12RB#13	22.26
Band17	5MHz	QPSK	23755	12RB#0	22.16
Band17	5MHz	QPSK	23755	12RB#6	22.17
Band17	5MHz	QPSK	23755	25RB#0	22.13
Band17	5MHz	QPSK	23790	1RB#0	23.46
Band17	5MHz	QPSK	23790	1RB#24	23.37
Band17	5MHz	QPSK	23790	1RB#12	23.37
Band17	5MHz	QPSK	23790	12RB#6	22.20
Band17	5MHz	QPSK	23790	12RB#13	22.30
Band17	5MHz	QPSK	23790	12RB#0	22.21
Band17	5MHz	QPSK	23790	25RB#0	22.26
Band17	5MHz	QPSK	23825	1RB#12	23.57
Band17	5MHz	QPSK	23825	1RB#24	23.56
Band17	5MHz	QPSK	23825	1RB#0	23.48
Band17	5MHz	QPSK	23825	12RB#0	22.41
Band17	5MHz	QPSK	23825	12RB#6	22.35
Band17	5MHz	QPSK	23825	12RB#13	22.49
Band17	5MHz	QPSK	23825	25RB#0	22.34
Band17	5MHz	16QAM	23755	1RB#24	21.92
Band17	5MHz	16QAM	23755	1RB#12	21.98
Band17	5MHz	16QAM	23755	1RB#0	21.76
Band17	5MHz	16QAM	23755	12RB#0	21.13
Band17	5MHz	16QAM	23755	12RB#6	21.14
Band17	5MHz	16QAM	23755	12RB#13	21.21
Band17	5MHz	16QAM	23755	25RB#0	20.99
Band17	5MHz	16QAM	23790	1RB#12	22.31
Band17	5MHz	16QAM	23790	1RB#24	22.36
Band17	5MHz	16QAM	23790	1RB#0	22.11
Band17	5MHz	16QAM	23790	12RB#0	21.10
Band17	5MHz	16QAM	23790	12RB#6	21.10
Band17	5MHz	16QAM	23790	12RB#13	21.25
Band17	5MHz	16QAM	23790	25RB#0	21.40

Band17	5MHz	16QAM	23825	1RB#0	22.26
Band17	5MHz	16QAM	23825	1RB#12	22.53
Band17	5MHz	16QAM	23825	1RB#24	22.11
Band17	5MHz	16QAM	23825	12RB#13	21.46
Band17	5MHz	16QAM	23825	12RB#6	21.41
Band17	5MHz	16QAM	23825	12RB#0	21.51
Band17	5MHz	16QAM	23825	25RB#0	21.54
Band17	10MHz	QPSK	23780	1RB#49	23.48
Band17	10MHz	QPSK	23780	1RB#0	23.18
Band17	10MHz	QPSK	23780	1RB#24	23.08
Band17	10MHz	QPSK	23780	25RB#25	22.43
Band17	10MHz	QPSK	23780	25RB#12	22.26
Band17	10MHz	QPSK	23780	25RB#0	22.18
Band17	10MHz	QPSK	23780	50RB#0	22.30
Band17	10MHz	QPSK	23790	1RB#49	23.46
Band17	10MHz	QPSK	23790	1RB#24	23.48
Band17	10MHz	QPSK	23790	1RB#0	23.25
Band17	10MHz	QPSK	23790	25RB#25	22.40
Band17	10MHz	QPSK	23790	25RB#0	22.18
Band17	10MHz	QPSK	23790	25RB#12	22.25
Band17	10MHz	QPSK	23790	50RB#0	22.31
Band17	10MHz	QPSK	23800	1RB#24	23.22
Band17	10MHz	QPSK	23800	1RB#0	23.26
Band17	10MHz	QPSK	23800	1RB#49	23.38
Band17	10MHz	QPSK	23800	25RB#0	22.30
Band17	10MHz	QPSK	23800	25RB#12	22.30
Band17	10MHz	QPSK	23800	25RB#25	22.38
Band17	10MHz	QPSK	23800	50RB#0	22.33
Band17	10MHz	16QAM	23780	1RB#49	22.54
Band17	10MHz	16QAM	23780	1RB#24	22.23
Band17	10MHz	16QAM	23780	1RB#0	22.06
Band17	10MHz	16QAM	23780	25RB#12	21.27
Band17	10MHz	16QAM	23780	25RB#25	21.51
Band17	10MHz	16QAM	23780	25RB#0	21.36
Band17	10MHz	16QAM	23780	50RB#0	21.28
Band17	10MHz	16QAM	23790	1RB#24	22.85

Band17	10MHz	16QAM	23790	1RB#49	22.96
Band17	10MHz	16QAM	23790	1RB#0	22.44
Band17	10MHz	16QAM	23790	25RB#0	21.28
Band17	10MHz	16QAM	23790	25RB#12	21.28
Band17	10MHz	16QAM	23790	25RB#25	21.53
Band17	10MHz	16QAM	23790	50RB#0	21.20
Band17	10MHz	16QAM	23800	1RB#24	22.38
Band17	10MHz	16QAM	23800	1RB#0	22.07
Band17	10MHz	16QAM	23800	1RB#49	22.14
Band17	10MHz	16QAM	23800	25RB#12	21.35
Band17	10MHz	16QAM	23800	25RB#0	21.35
Band17	10MHz	16QAM	23800	25RB#25	21.46
Band17	10MHz	16QAM	23800	50RB#0	21.30
Band26	1.4MHz	QPSK	26697	1RB#3	22.72
Band26	1.4MHz	QPSK	26697	1RB#5	22.58
Band26	1.4MHz	QPSK	26697	1RB#0	22.64
Band26	1.4MHz	QPSK	26697	3RB#3	22.71
Band26	1.4MHz	QPSK	26697	3RB#2	22.67
Band26	1.4MHz	QPSK	26697	3RB#0	22.68
Band26	1.4MHz	QPSK	26697	6RB#0	21.79
Band26	1.4MHz	QPSK	26740	1RB#3	22.98
Band26	1.4MHz	QPSK	26740	1RB#5	22.85
Band26	1.4MHz	QPSK	26740	1RB#0	22.57
Band26	1.4MHz	QPSK	26740	3RB#0	22.85
Band26	1.4MHz	QPSK	26740	3RB#2	22.57
Band26	1.4MHz	QPSK	26740	3RB#3	22.66
Band26	1.4MHz	QPSK	26740	6RB#0	21.82
Band26	1.4MHz	QPSK	26783	1RB#0	22.50
Band26	1.4MHz	QPSK	26783	1RB#3	22.32
Band26	1.4MHz	QPSK	26783	1RB#5	22.55
Band26	1.4MHz	QPSK	26783	3RB#0	22.60
Band26	1.4MHz	QPSK	26783	3RB#2	22.61
Band26	1.4MHz	QPSK	26783	3RB#3	22.59
Band26	1.4MHz	QPSK	26783	6RB#0	21.68
Band26	1.4MHz	16QAM	26697	1RB#3	21.59
Band26	1.4MHz	16QAM	26697	1RB#0	21.43

Band26	1.4MHz	16QAM	26697	1RB#5	21.49
Band26	1.4MHz	16QAM	26697	3RB#2	21.69
Band26	1.4MHz	16QAM	26697	3RB#3	21.70
Band26	1.4MHz	16QAM	26697	3RB#0	21.70
Band26	1.4MHz	16QAM	26697	6RB#0	20.64
Band26	1.4MHz	16QAM	26740	1RB#3	22.10
Band26	1.4MHz	16QAM	26740	1RB#5	21.82
Band26	1.4MHz	16QAM	26740	1RB#0	21.80
Band26	1.4MHz	16QAM	26740	3RB#2	21.45
Band26	1.4MHz	16QAM	26740	3RB#3	21.70
Band26	1.4MHz	16QAM	26740	3RB#0	21.58
Band26	1.4MHz	16QAM	26740	6RB#0	20.74
Band26	1.4MHz	16QAM	26783	1RB#0	21.52
Band26	1.4MHz	16QAM	26783	1RB#3	21.60
Band26	1.4MHz	16QAM	26783	1RB#5	21.60
Band26	1.4MHz	16QAM	26783	3RB#0	21.34
Band26	1.4MHz	16QAM	26783	3RB#2	21.34
Band26	1.4MHz	16QAM	26783	3RB#3	21.10
Band26	1.4MHz	16QAM	26783	6RB#0	20.37
Band26	3MHz	QPSK	26705	1RB#0	22.76
Band26	3MHz	QPSK	26705	1RB#7	22.98
Band26	3MHz	QPSK	26705	1RB#14	22.57
Band26	3MHz	QPSK	26705	8RB#0	21.80
Band26	3MHz	QPSK	26705	8RB#4	21.81
Band26	3MHz	QPSK	26705	8RB#7	21.81
Band26	3MHz	QPSK	26705	15RB#0	21.80
Band26	3MHz	QPSK	26740	1RB#14	22.73
Band26	3MHz	QPSK	26740	1RB#7	22.93
Band26	3MHz	QPSK	26740	1RB#0	22.73
Band26	3MHz	QPSK	26740	8RB#0	21.79
Band26	3MHz	QPSK	26740	8RB#4	21.69
Band26	3MHz	QPSK	26740	8RB#7	21.80
Band26	3MHz	QPSK	26740	15RB#0	21.77
Band26	3MHz	QPSK	26775	1RB#14	22.56
Band26	3MHz	QPSK	26775	1RB#0	22.64
Band26	3MHz	QPSK	26775	1RB#7	22.36

Band26	3MHz	QPSK	26775	8RB#0	21.65
Band26	3MHz	QPSK	26775	8RB#7	21.61
Band26	3MHz	QPSK	26775	8RB#4	21.57
Band26	3MHz	QPSK	26775	15RB#0	21.69
Band26	3MHz	16QAM	26705	1RB#7	21.70
Band26	3MHz	16QAM	26705	1RB#14	21.36
Band26	3MHz	16QAM	26705	1RB#0	21.69
Band26	3MHz	16QAM	26705	8RB#0	20.71
Band26	3MHz	16QAM	26705	8RB#4	20.68
Band26	3MHz	16QAM	26705	8RB#7	20.69
Band26	3MHz	16QAM	26705	15RB#0	20.62
Band26	3MHz	16QAM	26740	1RB#7	21.98
Band26	3MHz	16QAM	26740	1RB#14	22.17
Band26	3MHz	16QAM	26740	1RB#0	21.76
Band26	3MHz	16QAM	26740	8RB#0	20.70
Band26	3MHz	16QAM	26740	8RB#4	20.55
Band26	3MHz	16QAM	26740	8RB#7	20.77
Band26	3MHz	16QAM	26740	15RB#0	20.65
Band26	3MHz	16QAM	26775	1RB#14	21.58
Band26	3MHz	16QAM	26775	1RB#7	21.73
Band26	3MHz	16QAM	26775	1RB#0	21.62
Band26	3MHz	16QAM	26775	8RB#0	20.76
Band26	3MHz	16QAM	26775	8RB#4	20.77
Band26	3MHz	16QAM	26775	8RB#7	20.60
Band26	3MHz	16QAM	26775	15RB#0	20.68
Band26	5MHz	QPSK	26715	1RB#12	22.87
Band26	5MHz	QPSK	26715	1RB#0	22.82
Band26	5MHz	QPSK	26715	1RB#24	22.50
Band26	5MHz	QPSK	26715	12RB#6	21.75
Band26	5MHz	QPSK	26715	12RB#13	21.73
Band26	5MHz	QPSK	26715	12RB#0	21.76
Band26	5MHz	QPSK	26715	25RB#0	21.74
Band26	5MHz	QPSK	26740	1RB#12	22.86
Band26	5MHz	QPSK	26740	1RB#24	22.84
Band26	5MHz	QPSK	26740	1RB#0	22.55
Band26	5MHz	QPSK	26740	12RB#6	21.70

Band26	5MHz	QPSK	26740	12RB#0	21.70
Band26	5MHz	QPSK	26740	12RB#13	21.86
Band26	5MHz	QPSK	26740	25RB#0	21.81
Band26	5MHz	QPSK	26765	1RB#24	22.65
Band26	5MHz	QPSK	26765	1RB#12	22.78
Band26	5MHz	QPSK	26765	1RB#0	22.61
Band26	5MHz	QPSK	26765	12RB#0	21.76
Band26	5MHz	QPSK	26765	12RB#6	21.78
Band26	5MHz	QPSK	26765	12RB#13	21.65
Band26	5MHz	QPSK	26765	25RB#0	21.72
Band26	5MHz	16QAM	26715	1RB#12	21.87
Band26	5MHz	16QAM	26715	1RB#0	21.80
Band26	5MHz	16QAM	26715	1RB#24	21.58
Band26	5MHz	16QAM	26715	12RB#6	20.87
Band26	5MHz	16QAM	26715	12RB#13	20.76
Band26	5MHz	16QAM	26715	12RB#0	20.87
Band26	5MHz	16QAM	26715	25RB#0	20.79
Band26	5MHz	16QAM	26740	1RB#0	21.60
Band26	5MHz	16QAM	26740	1RB#24	22.10
Band26	5MHz	16QAM	26740	1RB#12	21.73
Band26	5MHz	16QAM	26740	12RB#0	20.69
Band26	5MHz	16QAM	26740	12RB#13	20.57
Band26	5MHz	16QAM	26740	12RB#6	20.69
Band26	5MHz	16QAM	26740	25RB#0	20.76
Band26	5MHz	16QAM	26765	1RB#0	21.29
Band26	5MHz	16QAM	26765	1RB#24	21.49
Band26	5MHz	16QAM	26765	1RB#12	21.61
Band26	5MHz	16QAM	26765	12RB#13	20.50
Band26	5MHz	16QAM	26765	12RB#6	20.78
Band26	5MHz	16QAM	26765	12RB#0	20.83
Band26	5MHz	16QAM	26765	25RB#0	20.59
Band26	10MHz	QPSK	26740	1RB#24	23.10
Band26	10MHz	QPSK	26740	1RB#49	22.93
Band26	10MHz	QPSK	26740	1RB#0	22.63
Band26	10MHz	QPSK	26740	25RB#0	21.74
Band26	10MHz	QPSK	26740	25RB#25	21.82

Band26	10MHz	QPSK	26740	25RB#12	21.82
Band26	10MHz	QPSK	26740	50RB#0	21.74
Band26	10MHz	16QAM	26740	1RB#49	21.75
Band26	10MHz	16QAM	26740	1RB#24	22.04
Band26	10MHz	16QAM	26740	1RB#0	21.50
Band26	10MHz	16QAM	26740	25RB#0	20.92
Band26	10MHz	16QAM	26740	25RB#12	20.92
Band26	10MHz	16QAM	26740	25RB#25	20.89
Band26	10MHz	16QAM	26740	50RB#0	20.63
Band38	5MHz	QPSK	37775	1RB#0	23.00
Band38	5MHz	QPSK	37775	1RB#12	23.04
Band38	5MHz	QPSK	37775	1RB#24	22.99
Band38	5MHz	QPSK	37775	12RB#0	22.13
Band38	5MHz	QPSK	37775	12RB#6	22.17
Band38	5MHz	QPSK	37775	12RB#13	22.14
Band38	5MHz	QPSK	37775	25RB#0	22.07
Band38	5MHz	QPSK	38000	1RB#0	22.74
Band38	5MHz	QPSK	38000	1RB#12	22.69
Band38	5MHz	QPSK	38000	1RB#24	22.66
Band38	5MHz	QPSK	38000	12RB#13	21.73
Band38	5MHz	QPSK	38000	12RB#0	21.86
Band38	5MHz	QPSK	38000	12RB#6	21.68
Band38	5MHz	QPSK	38000	25RB#0	21.76
Band38	5MHz	QPSK	38225	1RB#12	22.79
Band38	5MHz	QPSK	38225	1RB#24	22.67
Band38	5MHz	QPSK	38225	1RB#0	22.77
Band38	5MHz	QPSK	38225	12RB#0	21.72
Band38	5MHz	QPSK	38225	12RB#13	21.65
Band38	5MHz	QPSK	38225	12RB#6	21.73
Band38	5MHz	QPSK	38225	25RB#0	21.76
Band38	5MHz	16QAM	37775	1RB#0	22.54
Band38	5MHz	16QAM	37775	1RB#12	22.75
Band38	5MHz	16QAM	37775	1RB#24	22.31
Band38	5MHz	16QAM	37775	12RB#6	21.03
Band38	5MHz	16QAM	37775	12RB#0	21.03
Band38	5MHz	16QAM	37775	12RB#13	20.96

Band38	5MHz	16QAM	3775	25RB#0	21.21
Band38	5MHz	16QAM	38000	1RB#0	21.69
Band38	5MHz	16QAM	38000	1RB#24	21.58
Band38	5MHz	16QAM	38000	1RB#12	21.59
Band38	5MHz	16QAM	38000	12RB#0	20.74
Band38	5MHz	16QAM	38000	12RB#6	20.64
Band38	5MHz	16QAM	38000	12RB#13	20.60
Band38	5MHz	16QAM	38000	25RB#0	20.95
Band38	5MHz	16QAM	38225	1RB#0	21.83
Band38	5MHz	16QAM	38225	1RB#24	21.88
Band38	5MHz	16QAM	38225	1RB#12	21.95
Band38	5MHz	16QAM	38225	12RB#13	20.61
Band38	5MHz	16QAM	38225	12RB#6	20.69
Band38	5MHz	16QAM	38225	12RB#0	20.69
Band38	5MHz	16QAM	38225	25RB#0	20.63
Band38	10MHz	QPSK	37800	1RB#0	23.26
Band38	10MHz	QPSK	37800	1RB#49	23.09
Band38	10MHz	QPSK	37800	1RB#24	23.22
Band38	10MHz	QPSK	37800	25RB#12	22.14
Band38	10MHz	QPSK	37800	25RB#25	21.89
Band38	10MHz	QPSK	37800	25RB#0	22.14
Band38	10MHz	QPSK	37800	50RB#0	22.13
Band38	10MHz	QPSK	38000	1RB#24	22.64
Band38	10MHz	QPSK	38000	1RB#0	22.73
Band38	10MHz	QPSK	38000	1RB#49	22.81
Band38	10MHz	QPSK	38000	25RB#12	21.89
Band38	10MHz	QPSK	38000	25RB#0	21.89
Band38	10MHz	QPSK	38000	25RB#25	21.85
Band38	10MHz	QPSK	38000	50RB#0	21.93
Band38	10MHz	QPSK	38200	1RB#0	22.55
Band38	10MHz	QPSK	38200	1RB#49	22.68
Band38	10MHz	QPSK	38200	1RB#24	22.80
Band38	10MHz	QPSK	38200	25RB#12	21.74
Band38	10MHz	QPSK	38200	25RB#25	21.75
Band38	10MHz	QPSK	38200	25RB#0	21.83
Band38	10MHz	QPSK	38200	50RB#0	21.75

Band38	10MHz	16QAM	37800	1RB#49	21.96
Band38	10MHz	16QAM	37800	1RB#24	22.65
Band38	10MHz	16QAM	37800	1RB#0	22.08
Band38	10MHz	16QAM	37800	25RB#12	21.28
Band38	10MHz	16QAM	37800	25RB#25	21.11
Band38	10MHz	16QAM	37800	25RB#0	21.28
Band38	10MHz	16QAM	37800	50RB#0	21.13
Band38	10MHz	16QAM	38000	1RB#49	21.65
Band38	10MHz	16QAM	38000	1RB#0	21.74
Band38	10MHz	16QAM	38000	1RB#24	21.39
Band38	10MHz	16QAM	38000	25RB#12	20.69
Band38	10MHz	16QAM	38000	25RB#0	20.74
Band38	10MHz	16QAM	38000	25RB#25	20.62
Band38	10MHz	16QAM	38000	50RB#0	21.01
Band38	10MHz	16QAM	38200	1RB#49	22.20
Band38	10MHz	16QAM	38200	1RB#24	22.18
Band38	10MHz	16QAM	38200	1RB#0	21.47
Band38	10MHz	16QAM	38200	25RB#0	20.95
Band38	10MHz	16QAM	38200	25RB#12	20.95
Band38	10MHz	16QAM	38200	25RB#25	20.99
Band38	10MHz	16QAM	38200	50RB#0	20.86
Band38	15MHz	QPSK	37825	1RB#0	23.04
Band38	15MHz	QPSK	37825	1RB#38	23.07
Band38	15MHz	QPSK	37825	1RB#74	23.03
Band38	15MHz	QPSK	37825	38RB#18	22.42
Band38	15MHz	QPSK	37825	38RB#37	22.37
Band38	15MHz	QPSK	37825	38RB#0	22.52
Band38	15MHz	QPSK	37825	75RB#0	21.99
Band38	15MHz	QPSK	38000	1RB#0	22.78
Band38	15MHz	QPSK	38000	1RB#38	22.54
Band38	15MHz	QPSK	38000	1RB#74	22.59
Band38	15MHz	QPSK	38000	38RB#0	22.10
Band38	15MHz	QPSK	38000	38RB#37	21.63
Band38	15MHz	QPSK	38000	38RB#18	21.75
Band38	15MHz	QPSK	38000	75RB#0	21.80
Band38	15MHz	QPSK	38175	1RB#0	22.44

Band38	15MHz	QPSK	38175	1RB#38	22.43
Band38	15MHz	QPSK	38175	1RB#74	22.44
Band38	15MHz	QPSK	38175	38RB#37	21.78
Band38	15MHz	QPSK	38175	38RB#18	21.75
Band38	15MHz	QPSK	38175	38RB#0	21.67
Band38	15MHz	QPSK	38175	75RB#0	21.69
Band38	15MHz	16QAM	37825	1RB#38	22.42
Band38	15MHz	16QAM	37825	1RB#74	22.36
Band38	15MHz	16QAM	37825	1RB#0	22.52
Band38	15MHz	16QAM	37825	38RB#37	22.36
Band38	15MHz	16QAM	37825	38RB#0	22.51
Band38	15MHz	16QAM	37825	38RB#18	22.42
Band38	15MHz	16QAM	37825	75RB#0	20.99
Band38	15MHz	16QAM	38000	1RB#38	21.20
Band38	15MHz	16QAM	38000	1RB#74	21.62
Band38	15MHz	16QAM	38000	1RB#0	21.52
Band38	15MHz	16QAM	38000	38RB#0	22.10
Band38	15MHz	16QAM	38000	38RB#37	21.63
Band38	15MHz	16QAM	38000	38RB#18	21.76
Band38	15MHz	16QAM	38000	75RB#0	20.93
Band38	15MHz	16QAM	38175	1RB#0	21.68
Band38	15MHz	16QAM	38175	1RB#38	21.75
Band38	15MHz	16QAM	38175	1RB#74	21.77
Band38	15MHz	16QAM	38175	38RB#0	21.68
Band38	15MHz	16QAM	38175	38RB#18	21.75
Band38	15MHz	16QAM	38175	38RB#37	21.78
Band38	15MHz	16QAM	38175	75RB#0	20.70
Band38	20MHz	QPSK	37850	1RB#0	22.66
Band38	20MHz	QPSK	37850	1RB#49	22.76
Band38	20MHz	QPSK	37850	1RB#99	22.55
Band38	20MHz	QPSK	37850	50RB#50	21.92
Band38	20MHz	QPSK	37850	50RB#0	22.03
Band38	20MHz	QPSK	37850	50RB#25	22.03
Band38	20MHz	QPSK	37850	100RB#0	21.91
Band38	20MHz	QPSK	38000	1RB#0	22.88
Band38	20MHz	QPSK	38000	1RB#49	22.93

Band38	20MHz	QPSK	38000	1RB#99	22.67
Band38	20MHz	QPSK	38000	50RB#0	21.87
Band38	20MHz	QPSK	38000	50RB#25	21.88
Band38	20MHz	QPSK	38000	50RB#50	21.85
Band38	20MHz	QPSK	38000	100RB#0	21.82
Band38	20MHz	QPSK	38150	1RB#49	22.88
Band38	20MHz	QPSK	38150	1RB#0	22.81
Band38	20MHz	QPSK	38150	1RB#99	22.81
Band38	20MHz	QPSK	38150	50RB#25	21.74
Band38	20MHz	QPSK	38150	50RB#0	21.73
Band38	20MHz	QPSK	38150	50RB#50	21.69
Band38	20MHz	QPSK	38150	100RB#0	21.68
Band38	20MHz	16QAM	37850	1RB#49	21.89
Band38	20MHz	16QAM	37850	1RB#0	21.87
Band38	20MHz	16QAM	37850	1RB#99	21.48
Band38	20MHz	16QAM	37850	50RB#50	20.96
Band38	20MHz	16QAM	37850	50RB#0	21.17
Band38	20MHz	16QAM	37850	50RB#25	21.17
Band38	20MHz	16QAM	37850	100RB#0	20.90
Band38	20MHz	16QAM	38000	1RB#49	22.30
Band38	20MHz	16QAM	38000	1RB#99	22.08
Band38	20MHz	16QAM	38000	1RB#0	22.25
Band38	20MHz	16QAM	38000	50RB#25	20.95
Band38	20MHz	16QAM	38000	50RB#0	20.95
Band38	20MHz	16QAM	38000	50RB#50	20.84
Band38	20MHz	16QAM	38000	100RB#0	20.90
Band38	20MHz	16QAM	38150	1RB#99	22.36
Band38	20MHz	16QAM	38150	1RB#49	22.57
Band38	20MHz	16QAM	38150	1RB#0	22.17
Band38	20MHz	16QAM	38150	50RB#50	20.62
Band38	20MHz	16QAM	38150	50RB#25	20.54
Band38	20MHz	16QAM	38150	50RB#0	20.58
Band38	20MHz	16QAM	38150	100RB#0	20.67
Band66	1.4MHz	QPSK	131979	1RB#5	22.20
Band66	1.4MHz	QPSK	131979	1RB#0	21.91
Band66	1.4MHz	QPSK	131979	1RB#3	22.06

Band66	1.4MHz	QPSK	131979	3RB#3	21.87
Band66	1.4MHz	QPSK	131979	3RB#0	22.13
Band66	1.4MHz	QPSK	131979	3RB#2	21.95
Band66	1.4MHz	QPSK	131979	6RB#0	21.09
Band66	1.4MHz	QPSK	132322	1RB#3	22.10
Band66	1.4MHz	QPSK	132322	1RB#0	22.09
Band66	1.4MHz	QPSK	132322	1RB#5	22.14
Band66	1.4MHz	QPSK	132322	3RB#0	22.28
Band66	1.4MHz	QPSK	132322	3RB#2	22.26
Band66	1.4MHz	QPSK	132322	3RB#3	22.37
Band66	1.4MHz	QPSK	132322	6RB#0	21.29
Band66	1.4MHz	QPSK	132665	1RB#0	21.98
Band66	1.4MHz	QPSK	132665	1RB#3	22.33
Band66	1.4MHz	QPSK	132665	1RB#5	22.04
Band66	1.4MHz	QPSK	132665	3RB#2	22.16
Band66	1.4MHz	QPSK	132665	3RB#3	22.16
Band66	1.4MHz	QPSK	132665	3RB#0	22.20
Band66	1.4MHz	QPSK	132665	6RB#0	21.04
Band66	1.4MHz	16QAM	131979	1RB#5	21.11
Band66	1.4MHz	16QAM	131979	1RB#3	20.98
Band66	1.4MHz	16QAM	131979	1RB#0	20.99
Band66	1.4MHz	16QAM	131979	3RB#2	20.52
Band66	1.4MHz	16QAM	131979	3RB#3	20.47
Band66	1.4MHz	16QAM	131979	3RB#0	20.64
Band66	1.4MHz	16QAM	131979	6RB#0	19.90
Band66	1.4MHz	16QAM	132322	1RB#3	21.33
Band66	1.4MHz	16QAM	132322	1RB#0	21.08
Band66	1.4MHz	16QAM	132322	1RB#5	21.50
Band66	1.4MHz	16QAM	132322	3RB#3	21.21
Band66	1.4MHz	16QAM	132322	3RB#2	21.09
Band66	1.4MHz	16QAM	132322	3RB#0	21.10
Band66	1.4MHz	16QAM	132322	6RB#0	20.00
Band66	1.4MHz	16QAM	132665	1RB#0	21.05
Band66	1.4MHz	16QAM	132665	1RB#5	21.14
Band66	1.4MHz	16QAM	132665	1RB#3	21.43
Band66	1.4MHz	16QAM	132665	3RB#2	20.86

Band66	1.4MHz	16QAM	132665	3RB#3	20.80
Band66	1.4MHz	16QAM	132665	3RB#0	20.86
Band66	1.4MHz	16QAM	132665	6RB#0	20.14
Band66	3MHz	QPSK	131987	1RB#0	22.10
Band66	3MHz	QPSK	131987	1RB#8	22.06
Band66	3MHz	QPSK	131987	1RB#14	22.19
Band66	3MHz	QPSK	131987	8RB#4	21.23
Band66	3MHz	QPSK	131987	8RB#7	21.22
Band66	3MHz	QPSK	131987	8RB#0	21.26
Band66	3MHz	QPSK	131987	15RB#0	21.26
Band66	3MHz	QPSK	132322	1RB#0	22.36
Band66	3MHz	QPSK	132322	1RB#8	22.68
Band66	3MHz	QPSK	132322	1RB#14	22.40
Band66	3MHz	QPSK	132322	8RB#0	21.42
Band66	3MHz	QPSK	132322	8RB#4	21.43
Band66	3MHz	QPSK	132322	8RB#7	21.39
Band66	3MHz	QPSK	132322	15RB#0	21.44
Band66	3MHz	QPSK	132657	1RB#0	22.06
Band66	3MHz	QPSK	132657	1RB#8	22.13
Band66	3MHz	QPSK	132657	1RB#14	22.09
Band66	3MHz	QPSK	132657	8RB#4	21.23
Band66	3MHz	QPSK	132657	8RB#0	21.21
Band66	3MHz	QPSK	132657	8RB#7	21.17
Band66	3MHz	QPSK	132657	15RB#0	21.25
Band66	3MHz	16QAM	131987	1RB#8	21.20
Band66	3MHz	16QAM	131987	1RB#14	20.89
Band66	3MHz	16QAM	131987	1RB#0	20.99
Band66	3MHz	16QAM	131987	8RB#0	20.14
Band66	3MHz	16QAM	131987	8RB#7	20.10
Band66	3MHz	16QAM	131987	8RB#4	20.14
Band66	3MHz	16QAM	131987	15RB#0	20.13
Band66	3MHz	16QAM	132322	1RB#0	21.41
Band66	3MHz	16QAM	132322	1RB#14	21.43
Band66	3MHz	16QAM	132322	1RB#8	21.78
Band66	3MHz	16QAM	132322	8RB#7	20.25
Band66	3MHz	16QAM	132322	8RB#0	20.37

Band66	3MHz	16QAM	132322	8RB#4	20.29
Band66	3MHz	16QAM	132322	15RB#0	20.33
Band66	3MHz	16QAM	132657	1RB#0	21.06
Band66	3MHz	16QAM	132657	1RB#14	21.03
Band66	3MHz	16QAM	132657	1RB#8	20.97
Band66	3MHz	16QAM	132657	8RB#0	20.34
Band66	3MHz	16QAM	132657	8RB#7	20.27
Band66	3MHz	16QAM	132657	8RB#4	20.34
Band66	3MHz	16QAM	132657	15RB#0	20.27
Band66	5MHz	QPSK	131997	1RB#12	22.19
Band66	5MHz	QPSK	131997	1RB#24	22.10
Band66	5MHz	QPSK	131997	1RB#0	22.39
Band66	5MHz	QPSK	131997	12RB#0	21.27
Band66	5MHz	QPSK	131997	12RB#6	21.24
Band66	5MHz	QPSK	131997	12RB#13	21.20
Band66	5MHz	QPSK	131997	25RB#0	21.25
Band66	5MHz	QPSK	132322	1RB#0	22.40
Band66	5MHz	QPSK	132322	1RB#12	22.59
Band66	5MHz	QPSK	132322	1RB#24	22.53
Band66	5MHz	QPSK	132322	12RB#0	21.40
Band66	5MHz	QPSK	132322	12RB#13	21.39
Band66	5MHz	QPSK	132322	12RB#6	21.41
Band66	5MHz	QPSK	132322	25RB#0	21.47
Band66	5MHz	QPSK	132647	1RB#24	22.02
Band66	5MHz	QPSK	132647	1RB#12	22.22
Band66	5MHz	QPSK	132647	1RB#0	22.06
Band66	5MHz	QPSK	132647	12RB#0	21.23
Band66	5MHz	QPSK	132647	12RB#6	21.24
Band66	5MHz	QPSK	132647	12RB#13	21.17
Band66	5MHz	QPSK	132647	25RB#0	21.20
Band66	5MHz	16QAM	131997	1RB#24	21.05
Band66	5MHz	16QAM	131997	1RB#0	21.17
Band66	5MHz	16QAM	131997	1RB#12	20.90
Band66	5MHz	16QAM	131997	12RB#0	20.19
Band66	5MHz	16QAM	131997	12RB#13	20.27
Band66	5MHz	16QAM	131997	12RB#6	20.17

Band66	5MHz	16QAM	131997	25RB#0	20.18
Band66	5MHz	16QAM	132322	1RB#12	21.33
Band66	5MHz	16QAM	132322	1RB#24	21.58
Band66	5MHz	16QAM	132322	1RB#0	21.52
Band66	5MHz	16QAM	132322	12RB#0	20.56
Band66	5MHz	16QAM	132322	12RB#6	20.57
Band66	5MHz	16QAM	132322	12RB#13	20.55
Band66	5MHz	16QAM	132322	25RB#0	20.37
Band66	5MHz	16QAM	132647	1RB#24	21.05
Band66	5MHz	16QAM	132647	1RB#0	21.09
Band66	5MHz	16QAM	132647	1RB#12	21.25
Band66	5MHz	16QAM	132647	12RB#0	20.13
Band66	5MHz	16QAM	132647	12RB#13	20.06
Band66	5MHz	16QAM	132647	12RB#6	20.02
Band66	5MHz	16QAM	132647	25RB#0	20.23
Band66	10MHz	QPSK	132022	1RB#0	21.95
Band66	10MHz	QPSK	132022	1RB#24	22.24
Band66	10MHz	QPSK	132022	1RB#49	21.99
Band66	10MHz	QPSK	132022	25RB#25	21.13
Band66	10MHz	QPSK	132022	25RB#0	21.21
Band66	10MHz	QPSK	132022	25RB#12	21.22
Band66	10MHz	QPSK	132022	50RB#0	21.16
Band66	10MHz	QPSK	132322	1RB#24	22.78
Band66	10MHz	QPSK	132322	1RB#49	22.37
Band66	10MHz	QPSK	132322	1RB#0	22.24
Band66	10MHz	QPSK	132322	25RB#0	21.37
Band66	10MHz	QPSK	132322	25RB#12	21.38
Band66	10MHz	QPSK	132322	25RB#25	21.36
Band66	10MHz	QPSK	132322	50RB#0	21.38
Band66	10MHz	QPSK	132622	1RB#0	21.78
Band66	10MHz	QPSK	132622	1RB#49	21.95
Band66	10MHz	QPSK	132622	1RB#24	22.21
Band66	10MHz	QPSK	132622	25RB#0	21.17
Band66	10MHz	QPSK	132622	25RB#12	21.17
Band66	10MHz	QPSK	132622	25RB#25	21.13
Band66	10MHz	QPSK	132622	50RB#0	21.10

Band66	10MHz	16QAM	132022	1RB#0	21.25
Band66	10MHz	16QAM	132022	1RB#24	21.10
Band66	10MHz	16QAM	132022	1RB#49	20.93
Band66	10MHz	16QAM	132022	25RB#12	20.22
Band66	10MHz	16QAM	132022	25RB#0	20.32
Band66	10MHz	16QAM	132022	25RB#25	20.24
Band66	10MHz	16QAM	132022	50RB#0	20.13
Band66	10MHz	16QAM	132322	1RB#49	21.30
Band66	10MHz	16QAM	132322	1RB#0	21.39
Band66	10MHz	16QAM	132322	1RB#24	22.40
Band66	10MHz	16QAM	132322	25RB#12	20.37
Band66	10MHz	16QAM	132322	25RB#0	20.37
Band66	10MHz	16QAM	132322	25RB#25	20.48
Band66	10MHz	16QAM	132322	50RB#0	20.41
Band66	10MHz	16QAM	132622	1RB#49	21.10
Band66	10MHz	16QAM	132622	1RB#24	21.54
Band66	10MHz	16QAM	132622	1RB#0	21.03
Band66	10MHz	16QAM	132622	25RB#25	20.20
Band66	10MHz	16QAM	132622	25RB#12	20.23
Band66	10MHz	16QAM	132622	25RB#0	20.01
Band66	10MHz	16QAM	132622	50RB#0	20.00
Band66	15MHz	QPSK	132047	1RB#74	22.13
Band66	15MHz	QPSK	132047	1RB#38	22.32
Band66	15MHz	QPSK	132047	1RB#0	22.40
Band66	15MHz	QPSK	132047	38RB#0	21.67
Band66	15MHz	QPSK	132047	38RB#18	21.60
Band66	15MHz	QPSK	132047	38RB#37	21.69
Band66	15MHz	QPSK	132047	75RB#0	21.22
Band66	15MHz	QPSK	132322	1RB#74	22.11
Band66	15MHz	QPSK	132322	1RB#38	22.35
Band66	15MHz	QPSK	132322	1RB#0	22.21
Band66	15MHz	QPSK	132322	38RB#18	21.38
Band66	15MHz	QPSK	132322	38RB#37	21.36
Band66	15MHz	QPSK	132322	38RB#0	21.36
Band66	15MHz	QPSK	132322	75RB#0	21.42
Band66	15MHz	QPSK	132597	1RB#38	21.92

Band66	15MHz	QPSK	132597	1RB#0	21.96
Band66	15MHz	QPSK	132597	1RB#74	22.00
Band66	15MHz	QPSK	132597	38RB#18	21.10
Band66	15MHz	QPSK	132597	38RB#0	21.11
Band66	15MHz	QPSK	132597	38RB#37	21.11
Band66	15MHz	QPSK	132597	75RB#0	21.14
Band66	15MHz	16QAM	132047	1RB#74	21.70
Band66	15MHz	16QAM	132047	1RB#0	21.21
Band66	15MHz	16QAM	132047	1RB#38	21.69
Band66	15MHz	16QAM	132047	38RB#0	21.67
Band66	15MHz	16QAM	132047	38RB#37	21.69
Band66	15MHz	16QAM	132047	38RB#18	21.60
Band66	15MHz	16QAM	132047	75RB#0	20.24
Band66	15MHz	16QAM	132322	1RB#74	21.36
Band66	15MHz	16QAM	132322	1RB#38	21.37
Band66	15MHz	16QAM	132322	1RB#0	21.37
Band66	15MHz	16QAM	132322	38RB#18	21.38
Band66	15MHz	16QAM	132322	38RB#37	21.37
Band66	15MHz	16QAM	132322	38RB#0	21.39
Band66	15MHz	16QAM	132322	75RB#0	20.27
Band66	15MHz	16QAM	132597	1RB#38	21.19
Band66	15MHz	16QAM	132597	1RB#74	21.11
Band66	15MHz	16QAM	132597	1RB#0	21.20
Band66	15MHz	16QAM	132597	38RB#18	21.08
Band66	15MHz	16QAM	132597	38RB#0	21.21
Band66	15MHz	16QAM	132597	38RB#37	20.93
Band66	15MHz	16QAM	132597	75RB#0	20.23
Band66	20MHz	QPSK	132072	1RB#0	21.93
Band66	20MHz	QPSK	132072	1RB#49	22.31
Band66	20MHz	QPSK	132072	1RB#99	21.91
Band66	20MHz	QPSK	132072	50RB#25	21.17
Band66	20MHz	QPSK	132072	50RB#50	21.26
Band66	20MHz	QPSK	132072	50RB#0	21.16
Band66	20MHz	QPSK	132072	100RB#0	21.36
Band66	20MHz	QPSK	132322	1RB#0	22.36
Band66	20MHz	QPSK	132322	1RB#99	22.26

Band66	20MHz	QPSK	132322	1RB#49	22.72
Band66	20MHz	QPSK	132322	50RB#0	21.33
Band66	20MHz	QPSK	132322	50RB#50	21.45
Band66	20MHz	QPSK	132322	50RB#25	21.34
Band66	20MHz	QPSK	132322	100RB#0	21.42
Band66	20MHz	QPSK	132572	1RB#49	22.23
Band66	20MHz	QPSK	132572	1RB#99	21.99
Band66	20MHz	QPSK	132572	1RB#0	22.07
Band66	20MHz	QPSK	132572	50RB#0	21.23
Band66	20MHz	QPSK	132572	50RB#50	21.19
Band66	20MHz	QPSK	132572	50RB#25	21.24
Band66	20MHz	QPSK	132572	100RB#0	21.14
Band66	20MHz	16QAM	132072	1RB#0	21.04
Band66	20MHz	16QAM	132072	1RB#49	21.33
Band66	20MHz	16QAM	132072	1RB#99	20.83
Band66	20MHz	16QAM	132072	50RB#50	20.40
Band66	20MHz	16QAM	132072	50RB#25	20.32
Band66	20MHz	16QAM	132072	50RB#0	20.32
Band66	20MHz	16QAM	132072	100RB#0	20.36
Band66	20MHz	16QAM	132322	1RB#99	21.34
Band66	20MHz	16QAM	132322	1RB#49	22.07
Band66	20MHz	16QAM	132322	1RB#0	21.32
Band66	20MHz	16QAM	132322	50RB#25	20.53
Band66	20MHz	16QAM	132322	50RB#50	20.45
Band66	20MHz	16QAM	132322	50RB#0	20.51
Band66	20MHz	16QAM	132322	100RB#0	20.49
Band66	20MHz	16QAM	132572	1RB#49	22.22
Band66	20MHz	16QAM	132572	1RB#0	21.80
Band66	20MHz	16QAM	132572	1RB#99	21.65
Band66	20MHz	16QAM	132572	50RB#0	20.26
Band66	20MHz	16QAM	132572	50RB#25	20.26
Band66	20MHz	16QAM	132572	50RB#50	20.21
Band66	20MHz	16QAM	132572	100RB#0	20.13
Band25	1.4MHz	QPSK	26047	1RB#0	22.19
Band25	1.4MHz	QPSK	26047	1RB#3	22.15
Band25	1.4MHz	QPSK	26047	1RB#5	22.22

Band25	1.4MHz	QPSK	26047	3RB#0	22.24
Band25	1.4MHz	QPSK	26047	3RB#1	22.25
Band25	1.4MHz	QPSK	26047	3RB#3	22.26
Band25	1.4MHz	QPSK	26047	6RB#0	21.48
Band25	1.4MHz	QPSK	26365	1RB#0	22.74
Band25	1.4MHz	QPSK	26365	1RB#3	22.87
Band25	1.4MHz	QPSK	26365	1RB#5	22.72
Band25	1.4MHz	QPSK	26365	3RB#0	22.42
Band25	1.4MHz	QPSK	26365	3RB#1	22.54
Band25	1.4MHz	QPSK	26365	3RB#3	22.61
Band25	1.4MHz	QPSK	26365	6RB#0	21.54
Band25	1.4MHz	QPSK	26683	1RB#0	22.71
Band25	1.4MHz	QPSK	26683	1RB#3	22.57
Band25	1.4MHz	QPSK	26683	1RB#5	23.07
Band25	1.4MHz	QPSK	26683	3RB#0	22.93
Band25	1.4MHz	QPSK	26683	3RB#1	23.01
Band25	1.4MHz	QPSK	26683	3RB#3	22.83
Band25	1.4MHz	QPSK	26683	6RB#0	21.76
Band25	1.4MHz	16QAM	26047	1RB#0	21.32
Band25	1.4MHz	16QAM	26047	1RB#3	21.33
Band25	1.4MHz	16QAM	26047	1RB#5	21.08
Band25	1.4MHz	16QAM	26047	3RB#0	20.80
Band25	1.4MHz	16QAM	26047	3RB#1	21.27
Band25	1.4MHz	16QAM	26047	3RB#3	21.21
Band25	1.4MHz	16QAM	26047	6RB#0	20.35
Band25	1.4MHz	16QAM	26365	1RB#0	21.20
Band25	1.4MHz	16QAM	26365	1RB#3	21.39
Band25	1.4MHz	16QAM	26365	1RB#5	21.31
Band25	1.4MHz	16QAM	26365	3RB#0	21.01
Band25	1.4MHz	16QAM	26365	3RB#1	21.01
Band25	1.4MHz	16QAM	26365	3RB#3	20.99
Band25	1.4MHz	16QAM	26365	6RB#0	20.44
Band25	1.4MHz	16QAM	26683	1RB#0	21.64
Band25	1.4MHz	16QAM	26683	1RB#3	22.07
Band25	1.4MHz	16QAM	26683	1RB#5	21.75
Band25	1.4MHz	16QAM	26683	3RB#0	21.58

Band25	1.4MHz	16QAM	26683	3RB#1	21.58
Band25	1.4MHz	16QAM	26683	3RB#3	21.63
Band25	1.4MHz	16QAM	26683	6RB#0	20.78
Band25	3MHz	QPSK	26055	1RB#0	22.38
Band25	3MHz	QPSK	26055	1RB#7	22.09
Band25	3MHz	QPSK	26055	1RB#14	22.17
Band25	3MHz	QPSK	26055	8RB#0	21.36
Band25	3MHz	QPSK	26055	8RB#4	21.36
Band25	3MHz	QPSK	26055	8RB#7	21.41
Band25	3MHz	QPSK	26055	15RB#0	21.29
Band25	3MHz	QPSK	26365	1RB#0	22.49
Band25	3MHz	QPSK	26365	1RB#7	22.50
Band25	3MHz	QPSK	26365	1RB#14	22.54
Band25	3MHz	QPSK	26365	8RB#0	21.52
Band25	3MHz	QPSK	26365	8RB#4	21.53
Band25	3MHz	QPSK	26365	8RB#7	21.54
Band25	3MHz	QPSK	26365	15RB#0	21.51
Band25	3MHz	QPSK	26675	1RB#0	22.72
Band25	3MHz	QPSK	26675	1RB#7	22.92
Band25	3MHz	QPSK	26675	1RB#14	22.84
Band25	3MHz	QPSK	26675	8RB#0	21.89
Band25	3MHz	QPSK	26675	8RB#4	21.81
Band25	3MHz	QPSK	26675	8RB#7	21.85
Band25	3MHz	QPSK	26675	15RB#0	22.00
Band25	3MHz	16QAM	26055	1RB#0	21.33
Band25	3MHz	16QAM	26055	1RB#7	21.05
Band25	3MHz	16QAM	26055	1RB#14	21.04
Band25	3MHz	16QAM	26055	8RB#0	20.24
Band25	3MHz	16QAM	26055	8RB#4	20.25
Band25	3MHz	16QAM	26055	8RB#7	20.30
Band25	3MHz	16QAM	26055	15RB#0	20.20
Band25	3MHz	16QAM	26365	1RB#0	21.58
Band25	3MHz	16QAM	26365	1RB#7	21.43
Band25	3MHz	16QAM	26365	1RB#14	21.60
Band25	3MHz	16QAM	26365	8RB#0	20.31
Band25	3MHz	16QAM	26365	8RB#4	20.31