



FCC SAR TEST REPORT

Report No.: SET2019-16465

Product: Handheld Data Terminal

Trade Name: UROVO

Model No.: DT40, DT40S , DT40T

FCC ID: SWSDT40

Applicant: UROVO TECHNOLOGY CO., LTD.

Address: 36F,High-Tech Zone Union Tower,No.63,Xuefu Road, Nanshan District, Shenzhen, Guangdong, China

Issued by: CCIC Southern Testing Co., Ltd

Lab Location: Electronic Testing Building, No. 43 Shahe Road Xili Street, Nanshan District, Shenzhen, Guangdong 518055, China

Tel: 86 755 26627338 **Fax:** 86 755 26627238

Mail: manager@ccic-set.com **Website:** <http://www.ccic-set.com>

This test report consists of 82 pages in total. It may be duplicated completely for legal use with the approval of the applicant. It should not be reproduced except in full, without the written approval of our laboratory. The client should not use it to claim product endorsement by CCIC-SET. The test results in the report only apply to the tested sample. The test report shall be invalid without all the signatures of testing engineers, reviewer and approver. Any objections must be raised to CCIC-SET within 15 days since the date when the report is received. It will not be taken into consideration beyond this limit.



Test Report

Product.: Handheld Data Terminal

Model No.: DT40, DT40S , DT40T

Brand Name.....: UROVO

FCC ID.....: SWSDT40

Applicant.....: UROVO TECHNOLOGY CO., LTD.
36F,High-Tech Zone Union Tower,No.63,Xuefu Road, Nanshan District, Shenzhen, Guangdong, China

Applicant Address.....:

Manufacturer.....: UROVO TECHNOLOGY CO., LTD.

Manufacturer Address: 36F,High-Tech Zone Union Tower,No.63,Xuefu Road, Nanshan District, Shenzhen, Guangdong, China

Test Standards.....: **47CFR §2.1093-** Radiofrequency Radiation Exposure Evaluation: Portable Devices;
ANSI C95.1–1992: Safety Levels with Respect to Human Exposure to Radio Frequency Electromagnetic Fields, 3 kHz – 300 GHz.(IEEE Std C95.1-1991)
IEEE 1528–2013: IEEE Recommended Practice for Determining the Peak Spatial-Average Specific Absorption Rate (SAR) in the Human Head from Wireless Communications Devices: Measurement Techniques

Test Result.....: Pass

Test Date.....: 2019.12.02-2019.12.14

Tested by: Mei Chun 2019-12-17
Mei Chun, Test Engineer

Reviewed by.....: Chris You 2019-12-17
Chris You, Senior Engineer

Approved by.....: Shuangwen Zhang 2019-12-17
Shuangwen Zhang, Manager



Contents

Test Report	2
1. Administrative Data	4
2. Equipment Under Test (EUT)	5
3. SAR Summary	7
4. Specific Absorption Rate (SAR)	9
5. Tissue check and recommend Dielectric Parameters	13
6. SAR measurement procedure	19
7. Conducted RF Output Power	20
8. SAR test Exclusion and estimate SAR calculation:	51
9. Scaling Factor calculation	54
10. Test Results	57
11. Simultaneous Transmissions Analysis	75
12. Measurement Uncertainty	77
13. Equipment List	81
ANNEX A: Appendix A: SAR System performance Check Plots.....	82
ANNEX B: Appendix B: SAR Measurement results Plots.....	82
ANNEX C: Appendix C: Calibration reports	82
ANNEX D: Appendix D: SAR Test Setup.....	82



1. Administrative Data

1.1 Testing Laboratory

Test Site: CCIC Southern Testing Co., Ltd

Address: Electronic Testing Building, No. 43 Shahe Road Xili Street, Nanshan District, Shenzhen, Guangdong 518055, China

CNAS Lab Code: CCIC-SET is a third party testing organization accredited by China National Accreditation Service for Conformity Assessment (CNAS) according to ISO/IEC 17025. The accreditation certificate number is L1659.

NVLAP Lab Code: CCIC-SET is a third party testing organization accredited by NVLAP according to ISO/IEC 17025. The accreditation certificate number is 201008.

FCC Registration: CCIC Southern Electronic Product Testing (Shenzhen) Co., Ltd. EMC Laboratory has been registered and fully described in a report filed with the FCC (Federal Communications Commission). The acceptance letter from the FCC is maintained in our files. Designation Number: CN5031, valid time is until December 31, 2020.

ISED Registration: CCIC Southern Electronic Product Testing (Shenzhen) Co., Ltd. EMC Laboratory has been registered by Certification and Engineering Bureau of Industry Canada for the performance of radiated measurements with Registration No. 11185A-1 on Aug. 04, 2016, valid time is until Dec. 31, 2020.

Test Environment Temperature (°C): 21°C

Condition: Relative Humidity (%): 60%

Atmospheric Pressure (kPa): 86KPa-106KPa

2. Equipment Under Test (EUT)

Identification of the Equipment under Test

Device Type:	Portable
Exposure Category:	Population/Uncontrolled
Sample Name:	Handheld Data Terminal
Brand Name:	UROVO
Model Name:	DT40, DT40S , DT40T
Test Band	GSM850MHz/1900MHz, WCDMA 850MHz/1900MHz, LTE Band 2/4/5/7/12/17/25/41/66,WIFI 2.4G&5G, CDMA BC0
IMEI No.	864021030201957/00,864021030201958/00
Device Class	Class B
Multi Class	GPRS: Class 12; EGPRS: Class 12
Development Stage	Identical Prototype
Accessories	Power Supply
Hotspot	2.4GHz WLAN support Hotspot mode
Antenna type	Internal Antenna
Operation mode	GSM /WCDMA / LTE /WIFI
Modulation mode	GSM(GMSK),UMTS(QPSK),LTE(QPSK,16QAM,64QAM), WIFI(OFDM/DSSS),BT(GFSK/ π /4-DQPSK/8-DPSK)
DTM mode	Not support
Hardware Version	SQ45S_MB_V01
Software Version	SQ45S_EN_XX_WE_DS_R01_D_191031_01
Battery options :	Model No.:HBLDT40 Capacitance:4500mAh Rated Voltage:3.85V Charge Limit:4.4V Manufacturer: ShenZhenTianmao Battery CO.,Ltd.
Max. SAR Value	Head: 0.421 W/Kg Body: 1.184 W/Kg(Limit:1.6W/Kg, 10mm distance)

NOTE:

- The above EUT's information was declared by manufacturer. Please refer to the specifications or user's manual for more detailed description.



EUT testing configuration

Tested frequency range(s)	Transmitter Frequency Range	Receiver Frequency Range
GSM850:	824-849 MHz	869-894 MHz
GSM1900:	1850-1910 MHz	1930-1990 MHz
UMTS Band II:	1850-1910 MHz	1930-1990 MHz
UMTS Band V:	824-849 MHz	869-894 MHz
CDMA BC0	815-850 MHz	860-895 MHz
LTE Band2:	1850-1910 MHz	1930-1990 MHz
LTE Band4:	1710-1755 MHz	2110-2155 MHz
LTE Band5:	824-849 MHz	869-894 MHz
LTE Band7:	2500-2570 MHz	2620-2690 MHz
LTE Band12:	698-716 MHz	728-746 MHz
LTE Band17:	704-716 MHz	734-746 MHz
LTE Band25:	1850-1915 MHz	1930-1995 MHz
LTE Band41:	2496-2690 MHz	
LTE Band66:	1710-1780 MHz	2110-2200 MHz
WIFI(tested):	2412-2462 MHz	
	5150-5250 MHz	
	5250-5350 MHz	
	5470-5725 MHz	
	5745-5825 MHz	
Test channels(low-mid-high):	128-190-251(GSM850)	
	512-661-810(GSM1900)	
	9262-9400-9538(UMTS Band II)	
	4132-4183-4233(UMTS Band V)	
	1013-384-777(CDMA BC0)	
	18700-18900-19100(LTE Band 2 Bandwidth 20M)	
	20050-20175-20300(LTE Band 4 Bandwidth 20M)	
	20450-20525-20600(LTE Band 5 Bandwidth 10M)	
	20850-21100-21350(LTE Band 7 Bandwidth 20M)	
	23060-23095-23130(LTE Band 12 Bandwidth 10M)	
	23780-23790-23800(LTE Band 17 Bandwidth 10M)	
	23060-23095-23130(LTE Band 25 Bandwidth 20M)	
	23780-23790-23800(LTE Band 41 Bandwidth 20M)	
	27310-27460-27560(LTE Band 66 Bandwidth 20M)	
1-6-11(Wi-Fi 2.4G 802.11b)		
5190-5270-5590-5795 (WIFI 5G)		



3. SAR Summary

Highest Standalone SAR Summary

Exposure Position	Frequency Band	Scaled 1g-SAR(W/kg)	Highest Scaled 1g-SAR(W/kg)
Head	GSM850	0.344	0.421
	GSM1900	0.114	
	WCDMA Band II	0.187	
	WCDMA Band V	0.363	
	CDMA BC0	0.421	
	LTE Band 2	0.183	
	LTE Band 4	0.219	
	LTE Band 5	0.408	
	LTE Band 7	0.048	
	LTE Band 12	0.041	
	LTE Band 17	0.036	
	LTE Band 25	0.082	
	LTE Band 41	0.099	
	LTE Band 66	0.108	
	WIFI 2.4G 802.11b	0.154	
WIFI 5G 802.11a	0.044		

Exposure Position	Frequency Band	Scaled 1g-SAR(W/kg)	Highest Scaled 1g-SAR(W/kg)
Body-worn (10mm Gap)	GSM850	1.180	1.184
	GSM1900	1.184	
	WCDMA Band II	1.174	
	WCDMA Band V	0.759	
	CDMA BC0	0.664	
	LTE Band 2	1.180	
	LTE Band 4	0.792	
	LTE Band 5	0.616	
	LTE Band 7	0.463	
	LTE Band 12	0.139	
	LTE Band 17	0.110	
	LTE Band 25	0.750	
	LTE Band 41	0.331	
	LTE Band 66	0.694	
	WIFI 2.4G 802.11b	0.057	
WIFI 5G 802.11a	0.156		



Exposure Position	Frequency Band	Scaled 1g-SAR(W/kg)	Highest Scaled 1g-SAR(W/kg)
Hotspot (10mm Gap)	GSM850	1.180	1.184
	GSM1900	1.184	
	WCDMA Band II	1.174	
	WCDMA Band V	0.759	
	CDMA BC0	0.623	
	LTE Band 2	1.180	
	LTE Band 4	0.792	
	LTE Band 5	0.616	
	LTE Band 7	0.567	
	LTE Band 12	0.139	
	LTE Band 17	0.110	
	LTE Band 25	0.750	
	LTE Band 41	0.492	
	LTE Band 66	0.694	
	WIFI 2.4G 802.11b	0.291	

Highest Simultaneous SAR Summary

Exposure Position	Frequency Band	Highest Scaled 1g-SAR(W/kg)
Body-Worn Back (10mmGap)	WWAN(GSM 1900)&5G WIFI	1.307

4. Specific Absorption Rate (SAR)

4.1 Introduction

SAR is related to the rate at which energy is absorbed per unit mass in an object exposed to a radio field. The SAR distribution in a biological body is complicated and is usually carried out by experimental techniques or numerical modeling. The standard recommends limits for two tiers of groups, occupational/controlled and general population/uncontrolled, based on a person's awareness and ability to exercise control over his or her exposure. In general, occupational/controlled exposure limits are higher than the limits for general population/uncontrolled.

The SAR definition is the time derivative (rate) of the incremental energy (dW) absorbed by (dissipated in) an incremental mass (dm) contained in a volume element (dv) of a given density (ρ). The equation description is as below:

$$\text{SAR} = \frac{d}{dt} \left(\frac{dW}{dm} \right) = \frac{d}{dt} \left(\frac{dW}{\rho dv} \right)$$

SAR is expressed in units of Watts per kilogram (W/kg)

SAR measurement can be either related to the temperature elevation in tissue by

$$\text{SAR} = C \frac{\delta T}{\delta t}$$

where C is the specific heat capacity, δT is the temperature rise and δt the exposure duration, or related to the electrical field in the tissue by

$$\text{SAR} = \frac{\sigma |E|^2}{\rho}$$

where σ is the conductivity of the tissue, ρ is the mass density of the tissue and E is the rms electrical field strength.

However for evaluating SAR of low power transmitter, electrical field measurement is typically applied.



4.2 Applicable Standards and Limits

4.2.1 Applicable Standards

47CFR §2.1093	Radiofrequency Radiation Exposure Evaluation: Portable Devices
ANSI C95.1-1992	Safety Levels with Respect to Human Exposure to Radio Frequency Electromagnetic Fields, 3 kHz – 300 GHz.(IEEE Std C95.1-1991)
IEEE 1528-2013	IEEE Recommended Practice for Determining the Peak Spatial-Average Specific Absorption Rate (SAR) in the Human Head from Wireless Communications Devices: Measurement Techniques
KDB 248227 D01	v02r02 802.11 Wi-Fi SAR
KDB 447498 D01	v06 General RF Exposure Guidance
KDB 648474 D04	v01r03 Handset SAR
KDB 865664 D01	v01r04 SAR Measurement 100MHz to 6GHz
KDB 865664 D02	v01r02 SAR Exposure Reporting
KDB 941225 D01	v03r01 3G SAR Procedures
KDB 941225 D05	v02r05 SAR for LTE Devices
KDB 941225 D05A	v01r02 LTE Rel.10 KDB Inquiry Sheet
KDB 941225 D06	v02r01 Hotspot Mode

4.2.2 RF exposure Limits

Human Exposure	Uncontrolled Environment General Population
Spatial Peak SAR* (Brain/Body)	1.60 mW/g
Spatial Average SAR** (Whole Body)	0.08 mW/g
Spatial Peak SAR*** (Limbs)	4.00 mW/g

The limit applied in this test report is shown in bold letters.

Notes:

* The Spatial Peak value of the SAR averaged over any 10 grams of tissue (defined as a tissue volume in the shape of a cube) and over the appropriate averaging time

** The Spatial Average value of the SAR averaged over the whole body.

*** The Spatial Peak value of the SAR averaged over any 10 grams of tissue (defined as a tissue volume in the shape of a cube) and over the appropriate averaging time.

4.3 Phantoms

The phantom used for all tests i.e. for both system checks and device testing, was the twin-headed "SAM Phantom", manufactured by SATIMO. The SAM twin phantom is a fiberglass shell phantom with 2mm shell thickness (except the ear region, where shell thickness increases to 6mm).

System checking was performed using the flat section, whilst Head SAR tests used the left and right head profile sections. Body SAR testing also used the flat section between the head profiles.

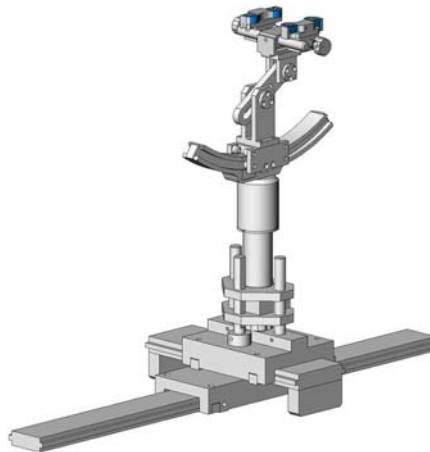


SAM Twin Phantom

4.4 Device Holder

The device was placed in the device holder (illustrated below) that is supplied by SATIMO as an integral part of the COMOSAR test system.

The device holder is designed to cope with the different positions given in the standard. It has two scales for device rotation (with respect to the body axis) and device inclination (with respect to the line between the ear reference points). The rotation centers for both scales is the ear reference point (ERP). Thus the device needs no repositioning when changing the angles.



Device holder

4.5 Probe Specification

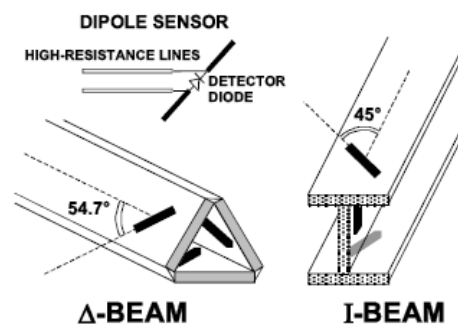


Construction	Symmetrical design with triangular core Interleaved sensors Built-in shielding against static charges PEEK enclosure material (resistant to organic solvents, e.g., DGBE)
Calibration	ISO/IEC 17025 calibration service available.
Frequency	700 MHz to 3 GHz; Linearity: ± 0.5 dB (700 MHz to 3 GHz)
Directivity	± 0.25 dB in HSL (rotation around probe axis) ± 0.5 dB in tissue material (rotation normal to probe axis)
Dynamic Range	1.5 μ W/g to 100 mW/g; Linearity: ± 0.5 dB
Dimensions	Overall length: 330 mm (Tip: 20 mm) Tip diameter: 5 mm Distance from probe tip to dipole centers: <2.7 mm
Application	General dosimetry up to 3 GHz Dosimetry in strong gradient fields Compliance tests of mobile phones
Compatibility	COMOSAR

Isotropic E-Field Probe

The isotropic E-Field probe has been fully calibrated and assessed for isotropicity, and boundary effect within a controlled environment. Depending on the frequency for which the probe is calibrated the method utilized for calibration will change.

The E-Field probe utilizes a triangular sensor arrangement as detailed in the diagram below:



5. Tissue check and recommend Dielectric Parameters

5.1 Tissue Dielectric Parameters for Head and Body Phantoms

The head tissue dielectric parameters recommended by the IEEE SCC-34/SC-2 in P1528 have been incorporated in the following table. These head parameters are derived from planar layer models simulating the highest expected SAR for the dielectric properties and tissue thickness Power drifts in a human head. Other head and body tissue parameters that have not been specified in P1528 are derived from the tissue dielectric parameters computed from the 4-Cole-Cole equations described in Reference [12] and extrapolated according to the head parameters specified in P1528.

Table 1: Recommended Dielectric Performance of Tissue

Ingredients (% by weight)	Frequency (MHz)											
	450		835		915		1900		2450		2600	
Tissue Type	Head	Body	Head	Body	Head	Body	Head	Body	Head	Body	Head	Body
Water	38.56	51.16	41.46	52.4	41.05	56.0	54.9	40.4	62.7	73.2	55.24	64.49
Salt (NaCl)	3.95	1.49	1.45	1.4	1.35	0.76	0.18	0.5	0.5	0.04	0.5	0.024
Sugar	56.32	46.78	56.0	45.0	56.5	41.76	0.0	58.0	0.0	0.0	0.0	0.0
HEC	0.98	0.52	1.0	1.0	1.0	1.21	0.0	1.0	0.0	0.0	0.0	0.0
Bactericide	0.19	0.05	0.1	0.1	0.1	0.27	0.0	0.1	0.0	0.0	0.0	0.0
Triton x-100	0.0	0.0	0.0	0.0	0.0	0.0	0.0	0.0	36.8	0.0	44.45	32.25
DGBE	0.0	0.0	0.0	0.0	0.0	0.0	44.92	0.0	0.0	26.7	0.0	26.7
Dielectric Constant	43.42	58.0	42.54	56.1	42.0	56.8	39.9	54.0	39.2	52.5	39.0	52.5
Conductivity (s/m)	0.85	0.83	0.91	0.95	1.0	1.07	1.42	1.45	1.80	1.78	1.96	2.16

MSL/HSL750 (Body and Head liquid for 650 – 850 MHz)

Item	Head Tissue Simulation Liquid HSL750 Muscle(body)Tissue Simulation Liquid MSL750			
H2O	Water, 35 – 58%			
Sucrose	Sugar, white, refined, 40-60%			
NaCl	Sodium Chloride, 0-6%			
Hydroxyethyl-cellulose	Medium Viscosity (CAS# 9004-62-0), <0.3%			
Preventol-D7	Preservative: aqueous preparation, (CAS# 55965-84-9), containing 5-chloro-2-methyl-3(2H)-isothiazolone and 2-methyl-3(2H)-isothiazolone, 0.1-0.7%			
Frequency (MHz)	Head ϵ_r	Head σ (S/m)	Body ϵ_r	Body σ (S/m)
750	41.9	0.89	55.2	0.97

Note: The liquid of 700MHz&2600MHz typical liquid composition is provided by SATIMO.

Frequency:5200/5400/5600/5800MHz	
Ingredients	(% by weight)
Water	78
Mineral oil	11
Emulsifiers	9
Additives and Salt	2

Table 2 Recommended Tissue Dielectric Parameters

Frequency (MHz)	Head Tissue		Body Tissue	
	ϵ_r	σ (S/m)	ϵ_r	σ (S/m)
150	52.3	0.76	61.9	0.80
300	45.3	0.87	58.2	0.92
450	43.5	0.87	56.7	0.94
835	41.5	0.90	55.2	0.97
900	41.5	0.97	55.0	1.05
915	41.5	0.98	55.0	1.06
1450	40.5	1.20	54.0	1.30
1610	40.3	1.29	53.8	1.40
1800-2000	40.0	1.40	53.3	1.52
2450	39.2	1.80	52.7	1.95
3000	38.5	2.40	52.0	2.73
5800	35.3	5.27	48.2	6.00

5.2 Simulate liquid

Liquid check results:

Table 3: Dielectric Performance of Head Tissue Simulating Liquid

Temperature: 23.2°C; Humidity: 64%;			
/	Frequency	Permittivity ϵ	Conductivity σ (S/m)
Target value	750MHz	41.9±5%	0.89±5%
Validation value (2019-12-02)	750MHz	41.92	0.91
Target value	835MHz	41.5±5%	0.90±5%
Validation value (2019-12-03)	835MHz	41.63	0.93
Target value	1800MHz	40.5±5%	1.40±5%
Validation value (2019-12-05)	1800MHz	40.64	1.39
Target value	1900MHz	40.5±5%	1.40±5%
Validation value (2019-12-06)	1900MHz	40.55	1.40
Target value	2450MHz	39.2±5%	1.80±5%
Validation value (2019-12-09)	2450MHz	39.70	1.80
Target value	2600MHz	39.0±5%	1.96±5%
Validation value (2019-12-10)	2600MHz	39.41	1.96
Target value	5200MHz	36.0±5%	4.66±5%
Validation value (2019-12-11)	5200MHz	36.38	4.67
Target value	5400MHz	35.8±5%	4.86±5%
Validation value (2019-12-12)	5400MHz	36.07	4.87
Target value	5600MHz	35.5±5%	5.07±5%
Validation value (2019-12-13)	5600MHz	35.86	5.08
Target value	5800MHz	35.3±5%	5.27±5%
Validation value (2019-12-14)	5800MHz	35.64	5.28



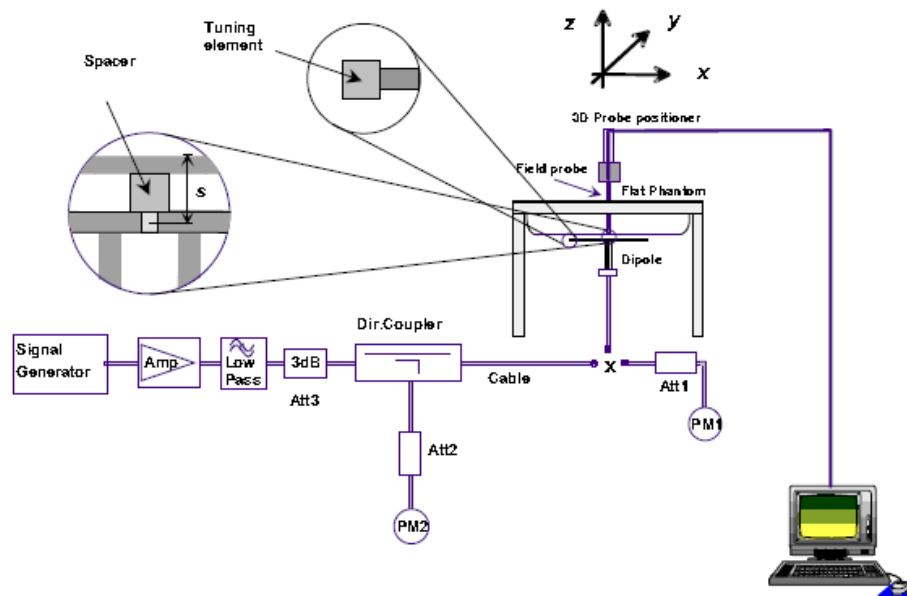
Dielectric Performance of Body Tissue Simulating Liquid

Temperature: 23.2°C; Humidity: 64%;			
/	Frequency	Permittivity ϵ	Conductivity σ (S/m)
Target value	750MHz	55.5±5%	0.96±5%
Validation value (2019-12-02)	750MHz	55.66	0.97
Target value	835MHz	55.2±5%	0.97±5%
Validation value (2019-12-03)	835MHz	55.42	0.99
Target value	1800MHz	53.3±5%	1.52±5%
Validation value (2019-12-05)	1800MHz	53.65	1.53
Target value	1900MHz	53.3±5%	1.52±5%
Validation value (2019-12-06)	1900MHz	53.52	1.54
Target value	2450MHz	52.7±5%	1.95±5%
Validation value (2019-12-09)	2450MHz	53.28	1.97
Target value	2600MHz	52.5±5%	2.16±5%
Validation value (2019-12-10)	2600MHz	52.94	2.17
Target value	5200MHz	49.0±5%	5.30±5%
Validation value (2019-12-11)	5200MHz	49.50	5.31
Target value	5400MHz	48.7±5%	5.53±5%
Validation value (2019-12-12)	5400MHz	49.21	5.54
Target value	5600MHz	48.5±5%	5.77±5%
Validation value (2019-12-13)	5600MHz	48.92	5.80
Target value	5800MHz	48.2±5%	6.0±5%
Validation value (2019-12-14)	5800MHz	48.65	5.99

SAR System validation

Prior to the assessment, the system validation kit was used to test whether the system was operating within its specifications of $\pm 10\%$. The validation results are tabulated below. And also the corresponding SAR plot is attached as well in the SAR plots files.

The following procedure, recommended for performing validation tests using box phantoms is based on the procedures described in the IEEE standard P1528. Setup according to the setup diagram below:



With the SG and Amp and with directional coupler in place, set up the source signal at the relevant frequency and use a power meter to measure the power at the end of the SMA cable that you intend to connect to the balanced dipole. Adjust the SG to make this, say, 0.01W (10 dBm). If this level is too high to read directly with the power meter sensor, insert a calibrated attenuator (e.g. 10 or 20 dB) and make a suitable correction to the power meter reading.

Note 1: In this method, the directional coupler is used for monitoring rather than setting the exact feed power level.

If, however, the directional coupler is used for power measurement, you should check the frequency range and power rating of the coupler and measure the coupling factor (referred to output) at the test frequency using a VNA.

Note 2: Remember that the use of a 3dB attenuator (as shown in Figure 8.1 of P1528) means that you need an RF amplifier of 2 times greater power for the same feed power. The other issue is the cable length. You might get up to 1dB of loss per meter of cable, so the cable length after the coupler needs to be quite short.

Note 3: For the validation testing done using CW signals, most power meters are suitable. However, if you are measuring the output of a modulated signal from either a signal generator or a handset, you must ensure that the power meter correctly reads the modulated signals.

The measured 1-gram averaged SAR values of the device against the phantom are provided in Tables 5 and Table 6. The humidity and ambient temperature of test facility were 64% and 23.2°C respectively. The body phantom were full of the body tissue simulating liquid. The EUT was supplied with full-charged battery for each measurement.

The distance between the back of the EUT and the bottom of the flat phantom is 10 mm (taking into account of the IEEE 1528 and the place of the antenna).

Table 4: Head SAR system validation (1g)

Frequency	Duty cycle	Target value (W/kg)	Test value (W/kg)	
			10 mW	1W
750MHz(2019-12-02)	1:1	8.62±10%	0.0867	8.67
835MHz(2019-12-03)	1:1	9.61±10%	0.1023	10.23
1800MHz(2019-12-05)	1:1	37.35±10%	0.4033	40.33
1900MHz(2019-12-06)	1:1	39.35±10%	0.4054	40.54
2450MHz(2019-12-09)	1:1	52.67±10%	0.5018	50.18
2600MHz(2019-12-10)	1:1	55.47±10%	0.5445	54.45
5200MHz(2019-12-11)	1:1	164.1±10%	1.5540	155.40
5400MHz(2019-12-12)	1:1	171.25±10%	1.6973	169.73
5600MHz(2019-12-13)	1:1	178.98±10%	1.8109	181.09
5800MHz(2019-12-14)	1:1	185.54±10%	1.6056	160.56

Body SAR system validation (1g)

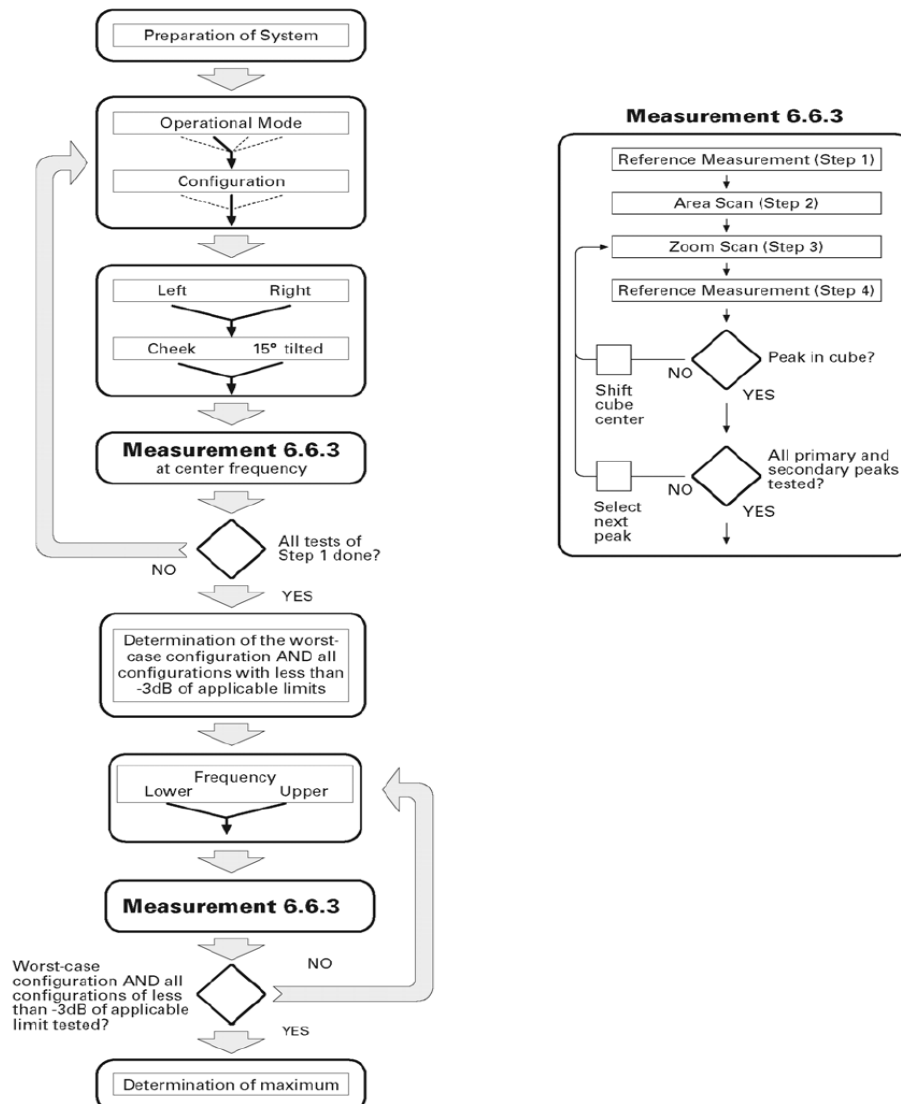
Frequency	Duty cycle	Target value (W/kg)	Test value (W/kg)	
			10 mW	1W
750MHz(2019-12-02)	1:1	8.68±10%	0.0836	8.36
835MHz(2019-12-03)	1:1	9.88±10%	0.0987	9.87
1800MHz(2019-12-05)	1:1	37.68±10%	0.3995	39.95
1900MHz(2019-12-06)	1:1	38.84±10%	0.3967	39.67
2450MHz(2019-12-09)	1:1	51.42±10%	0.5260	52.60
2600MHz(2019-12-10)	1:1	53.45±10%	0.5704	57.04
5200MHz(2019-12-11)	1:1	155.78±10%	1.6885	168.85
5400MHz(2019-12-12)	1:1	160.24±10%	1.7214	172.14
5600MHz(2019-12-13)	1:1	167.61±10%	1.7796	177.96
5800MHz(2019-12-14)	1:1	170.49±10%	1.8885	188.85

* Note: Target value was referring to the measured value in the calibration certificate of reference dipole.

Note: All SAR values are normalized to 1W forward power.

6. SAR measurement procedure

The SAR test against the head phantom was carried out as follow:



Establish a call with the maximum output power with a base station simulator, the connection between the EUT and the base station simulator is established via air interface.

After an area scan has been done at a fixed distance of 2mm from the surface of the phantom on the source side, a 3D scan is set up around the location of the maximum spot SAR. First, a point within the scan area is visited by the probe and a SAR reading taken at the start of testing. At the end of testing, the probe is returned to the same point and a second reading is taken. Comparison between these start and end readings enables the power drift during measurement to be assessed.

Above is the scanning procedure flow chart and table from the IEEE p1528 standard. This is the procedure for which all compliant testing should be carried out to ensure that all variations of the device position and transmission behavior are tested.

7. Conducted RF Output Power

7.1 GSM Conducted Power

GSM850		Burst-Averaged output Power (dBm)			Division Factors	Frame-Averaged output Power (dBm)		
		128CH	190CH	251CH		28CH	190CH	251CH
GSM (CS)		31.96	32.14	32.35	-9.19	22.77	22.95	23.16
GPRS (GMSK)	1 Tx Slot	31.91	32.02	32.46	-9.19	22.72	22.83	23.27
	2 Tx Slots	29.67	29.74	30.06	-6.13	23.54	23.61	23.93
	3 Tx Slots	28.11	28.21	28.43	-4.42	23.69	23.79	24.01
	4 Tx Slots	27.01	27.10	27.32	-3.18	23.83	23.92	24.14
EDGE (8PSK)	1 Tx Slot	25.70	25.77	25.84	-9.19	16.51	16.58	16.65
	2 Tx Slots	23.35	23.41	23.48	-6.13	17.22	17.28	17.35
	3 Tx Slots	22.16	22.24	22.31	-4.42	17.74	17.82	17.89
	4 Tx Slots	21.04	21.12	21.25	-3.18	17.86	17.94	18.07
GSM1900		Burst-Averaged output Power (dBm)			Division Factors	Frame-Averaged output Power (dBm)		
		512CH	661CH	810CH		512CH	661CH	810CH
GSM (CS)		29.64	29.83	29.72	-9.19	20.45	20.64	20.53
GPRS (GMSK)	1 Tx Slot	29.60	29.81	29.70	-9.19	20.41	20.62	20.51
	2 Tx Slots	27.43	27.62	27.54	-6.13	21.30	21.49	21.41
	3 Tx Slots	26.24	26.41	26.33	-4.42	21.82	21.99	21.91
	4 Tx Slots	25.13	25.34	25.26	-3.18	21.95	22.16	22.08
EDGE (8PSK)	1 Tx Slot	24.85	24.97	24.91	-9.19	15.66	15.78	15.72
	2 Tx Slots	22.47	22.65	22.55	-6.13	16.34	16.52	16.42
	3 Tx Slots	21.23	21.40	21.34	-4.42	16.81	16.98	16.92
	4 Tx Slots	20.15	20.31	20.22	-3.18	16.97	17.13	17.04

Note: Per KDB 447498 D01 v06, the maximum output power channel is used for SAR testing and for further SAR test reduction.

For hotspot SAR, EUT was performed at GPRS Class 12 multi-slots(4Tx) mode

For Head and Body-worn SAR testing, EUT was set in GSM Voice mode for both GSM850 and GSM1900

Timeslot consignations

No. Of Slots	Slot 1	Slot 2	Slot 3	Slot 4
Slot Consignation	1Up4Down	2UpDown	3UpDown	4Up1Down
Duty Cycle	1:8	1:4	1:2.67	1:2
Crest Factor	-9.03dB	-6.02dB	-4.26dB	-3.01dB

7.2 WCDMA Conducted output Power

UMTS1900 (Band II)		Average Power (dBm)		
		9262CH	9400CH	9538cH
WCDMA	12.2kbps RMC	22.45	22.27	22.42
HSDPA	Subtest 1	22.38	22.16	22.33
	Subtest 2	22.26	22.05	22.24
	Subtest 3	22.17	21.97	22.15
	Subtest 4	22.08	21.87	22.04
HSUPA	Subtest 1	21.97	21.76	21.93
	Subtest 2	21.86	21.67	21.82
	Subtest 3	21.77	21.56	21.74
	Subtest 4	21.66	21.47	21.62
	Subtest 5	21.58	21.38	21.51
UMTS850 (Band V)		Average Power (dBm)		
		4132CH	4183CH	4233CH
WCDMA	12.2kbps RMC	22.32	22.42	22.38
HSDPA	Subtest 1	22.21	22.35	22.26
	Subtest 2	22.13	22.26	22.17
	Subtest 3	22.04	22.14	22.08
	Subtest 4	21.93	22.07	21.95
HSUPA	Subtest 1	21.82	21.96	21.84
	Subtest 2	21.71	21.85	21.76
	Subtest 3	21.60	21.77	21.67
	Subtest 4	21.53	21.66	21.58
	Subtest 5	21.42	21.55	21.49

Note:

- WCDMA SAR was tested under RMC 12.2kbps with HSPA Inactive per KDB Publication 941225 D01v03r01. HSPA SAR was not required since the average output power of the HSPA subtests was not more than 0.25dB higher than the RMC level and SAR was less than 1.2W/kg.
- It is expected by the manufacturer that MPR for some HSPA subtests may be up to 2dB more than specified by 3GPP, but also as low as 0dB according to the chipset implementation in this model



CDMA Conducted output Power

Conducted Power (Unit:dBm)			
Band	CDMA BC0		
Channel	1013	384	777
Frequency(MHz)	824.7	836.52	848.31
RC1 + SO55	23.35	23.26	22.94
RC3 + SO55	23.23	23.15	22.88
RC3 + SO32(+ F-SCH)	23.16	23.04	22.76
RC3 + SO32(+SCH)	23.05	22.95	22.65
1xEVDO Rev A RETAP	22.94	22.87	22.56

7.3 LTE Conducted peak output Power

LTE Test Configurations

The CMW500 Wide Band Radio Communication Tester was used for LTE output power measurements and SAR testing. Closed loop power control was used so the UE transmits with maximum output power during SAR testing. SAR test were performed with the same number of RB and RB offsets transmitting on all frames.

1) Spectrum Plots for RB configurations

A properly configured base station simulator was used for LTE output power measurements and SAR testing. Therefore, spectrum plots for RB configurations were not required to be included in this report.

2) MPR

When MPR is implemented permanently within the UE, regardless of network requirements, only those RB configurations allowed by 3GPP for the channel bandwidth and modulation combinations may be tested with MPR active. Configurations with RB allocations less than the RB thresholds required by 3GPP must be tested without MPR.

The allowed Maximum Power Reduction(MPR) for the maximum output power due to higher order modulation and transmit bandwidth configuration (resource blocks) is specified in Table 6.2.3-1 of the 3GPP TS36.101:

Table 6.2.3-1: Maximum Power Reduction (MPR) for Power Class 3

Modulation	Channel bandwidth / Transmission bandwidth configuration [RB]						MPR (dB)
	1.4 MHz	3.0 MHz	5 MHz	10 MHz	15 MHz	20 MHz	
QPSK	> 5	> 4	> 8	> 12	> 16	> 18	≤ 1
16 QAM	≤ 5	≤ 4	≤ 8	≤ 12	≤ 16	≤ 18	≤ 1
16 QAM	> 5	> 4	> 8	> 12	> 16	> 18	≤ 2

3)A-MPR LTE procedures for SAR testing

A-MPR(Additional MPR) has been disabled for all SAR tests by using Network Signaling Value of “NS_01” on the base station simulator.

4)LTE procedures for SAR testing

A) Largest channel bandwidth standalone SAR test

requirements i) QPSK with 1 RB allocation

Start with the largest channel bandwidth and measure SAR for QPSK with 1 RB allocation, using the RB offset and required test channel combination with the highest maximum output power for RB offsets at the upper edge, middle and lower edge of each required test channel. When the reported SAR is $\leq 0.8\text{W/kg}$, testing of the remaining RB offset configurations and required test channels is not required for 1RB allocation; otherwise, SAR is required for the remaining required test channels and only for the RB offset configuration with the highest output power for that channel. When the reported SAR of a required test channel is $> 1.45\text{W/kg}$, SAR is required for all three RB offset configurations for that required test channel.

5)LTE CA operation

4.3.1.1.7A FDD reference test frequencies for CA in operating band 7

Table 4.3.1.1.7A-1: Test frequencies for CA_7C

Range	CC-Combo / N _{RB,agg} [RB]	CC1 Note1					CC2 Note1				
		BW [RB]	N _{UL}	f _{UL} [MHz]	N _{DL}	f _{DL} [MHz]	BW [RB]	N _{UL}	f _{UL} [MHz]	N _{DL}	f _{DL} [MHz]
Low	50+100	50	20805	2505.5	2805	2625.5	100	20949	2519.9	2949	2639.9
		100	20850	2510	2850	2630	50	20994	2524.4	2994	2644.4
	75+50	75	20825	2507.5	2825	2627.5	50	20945	2519.5	2945	2639.5
	75+75	75	20825	2507.5	2825	2627.5	75	20975	2522.5	2975	2642.5
	75+100	75	20828	2507.8	2828	2627.8	100	20999	2524.9	2999	2644.9
		100	20850	2510	2850	2630	75	21021	2527.1	3021	2647.1
100+100	100	20850	2510	2850	2630	100	21048	2529.8	3048	2649.8	
Mid	50+100	50	21006	2525.6	3006	2645.6	100	21150	2540	3150	2660
		100	21051	2530.1	3051	2650.1	50	21195	2544.5	3195	2664.5
	75+50	75	21051	2530.1	3051	2650.1	50	21171	2542.1	3171	2662.1
	75+75	75	21025	2527.5	3025	2647.5	75	21175	2542.5	3175	2662.5
	75+100	75	21003	2525.3	3003	2645.3	100	21174	2542.4	3174	2662.4
		100	21026	2527.6	3026	2647.6	75	21197	2544.7	3197	2664.7
100+100	100	21001	2525.1	3001	2645.1	100	21199	2544.9	3199	2664.9	
High	50+100	50	21206	2545.6	3206	2665.6	100	21350	2560	3350	2680
		100	21251	2550.1	3251	2670.1	50	21395	2564.5	3395	2684.5
	75+50	75	21277	2552.7	3277	2672.7	50	21397	2564.7	3397	2684.7
	75+75	75	21225	2547.5	3225	2667.5	75	21375	2562.5	3375	2682.5
	75+100	75	21179	2542.9	3179	2662.9	100	21350	2560	3350	2680
		100	21201	2545.1	3201	2665.1	75	21372	2562.2	3372	2682.2
100+100	100	21152	2540.2	3152	2660.2	100	21350	2560	3350	2680	

Note 1: Carriers in increasing frequency order.



1. LTE Band 2 Conducted Power Test Verdict:

LTE FDD Band 2				Conducted Power(dBm)			Tune up
Bandwidth	Modulation	RB size	RB offset	Channel/Frequency			
				18607/1850.7	18900/1880	19193/1909.3	
1.4MHz	QPSK	1	0	21.8	21.65	21.8	21.0±1.0
		1	3	21.62	21.89	21.88	
		1	5	21.71	21.62	21.9	
		3	0	21.36	21.31	21.27	20.5±1.0
		3	2	21.3	21.37	21.29	
		3	3	21.31	21.29	21.29	
		6	0	21.14	21.15	21.14	20.5±1.0
	16QAM	1	0	20.8	20.71	20.97	20.0±1.0
		1	3	20.8	20.82	20.77	
		1	5	21	20.99	20.78	
		3	0	20.6	20.55	20.38	20.0±1.0
		3	2	20.64	20.54	20.52	
		3	3	20.49	20.56	20.53	
		6	0	20.26	20.24	20.2	19.5±1.0
Bandwidth	Modulation	RB size	RB offset	Channel/Frequency			Tune up
3MHz	QPSK	1	0	21.9	21.65	21.69	21.0±1.0
		1	7	21.83	21.81	21.68	
		1	14	21.89	21.88	21.85	
		8	0	21.3	21.22	21.42	20.5±1.0
		8	4	21.37	21.49	21.3	
		8	7	21.46	21.36	21.21	
		15	0	21.09	21.05	21.06	20.5±1.0
	16QAM	1	0	20.95	20.83	20.7	20.0±1.0
		1	7	20.71	21	20.99	
		1	14	20.76	20.92	20.81	
		8	0	20.53	20.64	20.64	20.0±1.0
		8	4	20.58	20.65	20.58	
		8	7	20.56	20.39	20.64	
		15	0	20.3	20.27	20.3	19.5±1.0



LTE FDD Band 2				Conducted Power(dBm)			
Bandwidth	Modulation	RB size	RB offset	Channel/Frequency			Tune up
				18625/1852.5	18900/1880	19175/1907.5	
5MHz	QPSK	1	0	21.8	21.67	21.81	21.0±1.0
		1	13	21.6	21.6	21.88	
		1	24	21.76	21.79	21.84	
		12	0	21.49	21.31	21.34	20.5±1.0
		12	6	21.33	21.24	21.2	
		12	13	21.32	21.26	21.37	
		25	0	21.08	21.12	21.14	20.5±1.0
	16QAM	1	0	20.7	20.81	20.85	20.0±1.0
		1	13	20.71	20.96	20.98	
		1	24	20.79	20.94	20.8	
		12	0	20.51	20.5	20.64	20.0±1.0
		12	6	20.53	20.41	20.47	
		12	13	20.57	20.38	20.53	
		25	0	20.2	20.28	20.22	19.5±1.0
Bandwidth	Modulation	RB size	RB offset	Channel/Frequency			Tune up
				18650/1855	18900/1880	19150/1905	
10MHz	QPSK	1	0	21.61	21.87	21.74	21.0±1.0
		1	25	21.75	21.88	21.9	
		1	49	21.81	21.68	21.88	
		25	0	21.49	21.2	21.35	20.5±1.0
		25	13	21.28	21.44	21.21	
		25	25	21.42	21.49	21.35	
		50	0	21.12	21.12	21.09	20.5±1.0
	16QAM	1	0	20.76	20.79	20.89	20.0±1.0
		1	25	20.86	20.74	21	
		1	49	20.89	20.8	20.99	
		25	0	20.35	20.47	20.35	20.0±1.0
		25	13	20.37	20.38	20.54	
		25	25	20.62	20.59	20.63	
		50	0	20.26	20.28	20.29	19.5±1.0



LTE FDD Band 2				Conducted Power(dBm)			
Bandwidth	Modulation	RB size	RB offset	Channel/Frequency			Tune up
				18675/1857.5	18900/1880	19125/1902.5	
15MHz	QPSK	1	0	21.79	21.75	21.63	21.0±1.0
		1	38	21.81	21.63	21.75	
		1	74	21.83	21.76	21.66	
		36	0	21.22	21.25	21.21	20.5±1.0
		36	18	21.46	21.25	21.32	
		36	39	21.5	21.28	21.45	
		75	0	21.07	21.14	21.08	20.5±1.0
	16QAM	1	0	20.83	20.81	20.9	20.0±1.0
		1	38	20.73	20.86	20.75	
		1	74	20.73	20.91	20.9	
		36	0	20.5	20.37	20.61	20.0±1.0
		36	18	20.52	20.5	20.51	
		36	39	20.39	20.35	20.38	
		75	0	20.26	20.2	20.26	19.5±1.0
Bandwidth	Modulation	RB size	RB offset	Channel/Frequency			Tune up
				18700/1860	18900/1880	19100/1900	
20MHz	QPSK	1	0	21.6	21.93	21.66	21.0±1.0
		1	50	21.89	21.67	21.78	
		1	99	21.67	21.61	21.9	
		50	0	21.27	21.48	21.37	20.5±1.0
		50	25	21.35	21.24	21.26	
		50	50	21.47	21.46	21.27	
		100	0	21.09	21.08	21.14	20.5±1.0
	16QAM	1	0	20.9	20.85	20.96	20.0±1.0
		1	50	21	20.88	20.87	
		1	99	20.78	20.94	20.74	
		50	0	20.48	20.41	20.65	20.0±1.0
		50	25	20.35	20.64	20.35	
		50	50	20.48	20.37	20.36	
		100	0	20.3	20.3	20.29	19.5±1.0



2. LTE Band 4 Conducted Power Test Verdict:

LTE FDD Band 4				Conducted Power(dBm)			Tune up	
Bandwidth	Modulation	RB size	RB offset	Channel/Frequency				
				19957/1710.7	20175/1732.5	20393/1754.3		
1.4MHz	QPSK	1	0	21.76	21.9	21.71	21.0±1.0	
		1	3	21.63	21.79	21.77		
		1	5	21.68	21.72	21.61		
		3	0	21.44	21.33	21.42	20.5±1.0	
		3	2	21.33	21.48	21.34		
		3	3	21.43	21.27	21.31		
	16QAM	16QAM	6	0	21.13	21.08	21.14	20.5±1.0
			1	0	20.78	20.98	20.86	20.0±1.0
			1	3	20.94	20.84	20.86	
			1	5	20.83	20.83	20.71	
			3	0	20.54	20.35	20.58	20.0±1.0
			3	2	20.56	20.53	20.35	
			3	3	20.62	20.41	20.47	
			6	0	20.2	20.23	20.27	19.5±1.0
Bandwidth	Modulation	RB size	RB offset	Channel/Frequency			Tune up	
				19965/1711.5	20175/1732.5	20385/1753.5		
3MHz	QPSK	1	0	21.8	21.83	21.84	21.0±1.0	
		1	7	21.72	21.7	21.9		
		1	14	21.85	21.86	21.77		
		8	0	21.27	21.46	21.39	20.5±1.0	
		8	4	21.4	21.28	21.28		
		8	7	21.31	21.32	21.28		
		15	0	21.08	21.11	21.06	20.5±1.0	
	16QAM	16QAM	1	0	20.9	20.92	20.93	20.0±1.0
			1	7	21	20.94	20.76	
			1	14	20.89	20.77	20.94	
			8	0	20.44	20.43	20.39	20.0±1.0
			8	4	20.42	20.56	20.44	
			8	7	20.37	20.4	20.52	
			15	0	20.3	20.26	20.3	19.5±1.0



LTE FDD Band 4				Conducted Power(dBm)			
Bandwidth	Modulation	RB size	RB offset	Channel/Frequency			Tune up
				19975/1712.5	20175/1732.5	20375/1752.5	
5MHz	QPSK	1	0	21.71	21.72	21.85	21.0±1.0
		1	13	21.7	21.68	21.9	
		1	24	21.65	21.74	21.63	
		12	0	21.42	21.3	21.38	20.5±1.0
		12	6	21.37	21.5	21.31	
		12	13	21.33	21.45	21.39	
	25	0	21.08	21.06	21.05	20.5±1.0	
	16QAM	1	0	20.88	20.91	20.9	20.0±1.0
		1	13	20.88	20.96	20.71	
		1	24	20.95	20.78	20.9	
		12	0	20.48	20.45	20.56	20.0±1.0
		12	6	20.41	20.41	20.41	
		12	13	20.35	20.46	20.44	
		25	0	20.21	20.28	20.3	19.5±1.0
Bandwidth	Modulation	RB size	RB offset	Channel/Frequency			Tune up
				20000/1715	20175/1732.5	20350/1750	
10MHz	QPSK	1	0	21.7	21.8	21.68	21.0±1.0
		1	25	21.79	21.83	21.79	
		1	49	21.9	21.65	21.86	
		25	0	21.37	21.23	21.31	20.5±1.0
		25	13	21.2	21.35	21.4	
		25	25	21.24	21.37	21.24	
	50	0	21.1	21.15	21.09	20.5±1.0	
	16QAM	1	0	20.94	20.92	20.76	20.0±1.0
		1	25	21	20.83	20.76	
		1	49	20.84	20.94	20.91	
		25	0	20.63	20.43	20.37	20.0±1.0
		25	13	20.55	20.61	20.65	
		25	25	20.51	20.45	20.55	
		50	0	20.29	20.2	20.24	19.5±1.0



LTE FDD Band 4				Conducted Power(dBm)			
Bandwidth	Modulation	RB size	RB offset	Channel/Frequency			Tune up
				20025/1717.5	20175/1732.5	20325/1747.5	
15MHz	QPSK	1	0	21.85	21.66	21.87	21.0±1.0
		1	38	21.85	21.7	21.65	
		1	74	21.65	21.6	21.64	
		36	0	21.31	21.44	21.23	20.5±1.0
		36	18	21.47	21.26	21.5	
		36	39	21.36	21.23	21.21	
		75	0	21.05	21.06	21.15	20.5±1.0
	16QAM	1	0	20.75	20.84	20.72	20.0±1.0
		1	38	20.76	20.9	20.71	
		1	74	20.73	20.71	20.7	
		36	0	20.59	20.64	20.35	20.0±1.0
		36	18	20.61	20.45	20.45	
		36	39	20.65	20.44	20.57	
		75	0	20.29	20.3	20.23	19.5±1.0
Bandwidth	Modulation	RB size	RB offset	Channel/Frequency			Tune up
				20050/1720	20175/1732.5	20300/1745	
20MHz	QPSK	1	0	21.8	21.99	21.86	21.0±1.0
		1	50	21.74	21.81	21.75	
		1	99	21.71	21.81	21.75	
		50	0	21.24	21.46	21.27	20.5±1.0
		50	25	21.21	21.45	21.44	
		50	50	21.34	21.38	21.42	
		100	0	21.15	21.11	21.07	20.5±1.0
	16QAM	1	0	20.91	20.91	20.82	20.0±1.0
		1	50	20.78	20.94	20.91	
		1	99	20.95	20.72	20.9	
		50	0	20.42	20.64	20.44	20.0±1.0
		50	25	20.46	20.42	20.48	
		50	50	20.39	20.38	20.39	
		100	0	20.29	20.22	20.2	19.5±1.0



3. LTE Band 5 Conducted Power Test Verdict:

LTE FDD Band 5				Conducted Power(dBm)			Tune up	
Bandwidth	Modulation	RB size	RB offset	Channel/Frequency				
				20407/824.7	20525/836.5	20643/848.3		
1.4MHz	QPSK	1	0	23.23	23.4	23.28	22.5±1.0	
		1	3	23.2	23.14	23.21		
		1	5	23.24	23.36	23.24		
		3	0	22.86	22.91	22.76	22.0±1.0	
		3	2	22.8	22.74	22.81		
		3	3	22.93	22.94	22.9		
	16QAM	16QAM	6	0	22.55	22.6	22.56	22.0±1.0
			1	0	22.36	22.2	22.4	21.5±1.0
			1	3	22.49	22.45	22.2	
			1	5	22.45	22.2	22.4	
			3	0	21.85	21.85	22.05	21.5±1.0
			3	2	21.88	22	22.13	
3	3	21.91	21.91	22.1				
6	0	21.76	21.76	21.77	21.0±1.0			
Bandwidth	Modulation	RB size	RB offset	Channel/Frequency			Tune up	
3MHz	QPSK	1	0	23.21	23.27	23.14	22.5±1.0	
		1	7	23.2	23.13	23.19		
		1	14	23.35	23.17	23.32		
		8	0	22.87	22.77	22.7	22.0±1.0	
		8	4	22.86	23	22.93		
		8	7	22.87	22.91	22.84		
		15	0	22.64	22.64	22.65	22.0±1.0	
	16QAM	16QAM	1	0	22.44	22.24	22.3	21.5±1.0
			1	7	22.23	22.37	22.48	
			1	14	22.38	22.39	22.25	
			8	0	21.97	22.02	21.87	21.5±1.0
			8	4	22.14	21.96	22.15	
			8	7	21.96	21.87	22.13	
			15	0	21.8	21.73	21.7	21.0±1.0



LTE FDD Band 5				Conducted Power(dBm)			
Bandwidth	Modulation	RB size	RB offset	Channel/Frequency			Tune up
				20425/826.5	20525/836.5	20625/846.5	
5MHz	QPSK	1	0	23.29	23.23	23.15	22.5±1.0
		1	13	23.4	23.23	23.31	
		1	24	23.32	23.38	23.37	
		12	0	22.86	22.83	22.91	22.0±1.0
		12	6	22.85	22.86	22.85	
		12	13	22.82	22.88	22.7	
	25	0	22.63	22.63	22.65	22.0±1.0	
	16QAM	1	0	22.23	22.32	22.38	21.5±1.0
		1	13	22.41	22.25	22.42	
		1	24	22.24	22.44	22.39	
		12	0	22.03	22.1	21.94	21.5±1.0
		12	6	21.86	22.15	22.14	
		12	13	21.92	22.07	21.86	
		25	0	21.78	21.71	21.76	21.0±1.0
Bandwidth	Modulation	RB size	RB offset	Channel/Frequency			Tune up
				20450/829	20525/836.5	20600/844	
10MHz	QPSK	1	0	23.2	23.41	23.34	22.5±1.0
		1	25	23.14	23.17	23.24	
		1	49	23.15	23.18	23.34	
		25	0	22.87	22.97	22.75	22.0±1.0
		25	13	22.85	22.81	22.92	
		25	25	22.8	22.79	22.87	
		50	0	22.6	22.55	22.64	22.0±1.0
	16QAM	1	0	22.33	22.31	22.4	21.5±1.0
		1	25	22.22	22.42	22.47	
		1	49	22.25	22.2	22.39	
		25	0	21.99	22.14	21.88	21.5±1.0
		25	13	22.03	22.08	22.04	
		25	25	22.08	21.95	22.15	
		50	0	21.79	21.73	21.77	21.0±1.0



4. LTE Band 7 Conducted Power Test Verdict:

LTE FDD Band 7				Conducted Power(dBm)			Tune up
Bandwidth	Modulation	RB size	RB offset	Channel/Frequency			
				20775/2502.5	21100/2535	21425/2567.5	
5MHz	QPSK	1	0	21.79	21.73	21.76	21.0±1.0
		1	13	21.67	21.6	21.73	
		1	24	21.73	21.67	21.8	
		12	0	21.24	21.37	21.2	20.5±1.0
		12	6	21.21	21.21	21.43	
		12	13	21.35	21.29	21.5	
		25	0	21.08	21.11	21.14	20.5±1.0
	16QAM	1	0	20.8	20.72	20.95	20.0±1.0
		1	13	20.87	20.78	20.78	
		1	24	20.73	20.89	20.73	
		12	0	20.53	20.64	20.64	20.0±1.0
		12	6	20.53	20.61	20.38	
		12	13	20.37	20.54	20.52	
		25	0	20.23	20.26	20.2	19.5±1.0
Bandwidth	Modulation	RB size	RB offset	Channel/Frequency			Tune up
10MHz	QPSK	1	0	21.63	21.86	21.68	21.0±1.0
		1	25	21.78	21.72	21.87	
		1	49	21.79	21.86	21.75	
		25	0	21.43	21.31	21.33	20.5±1.0
		25	13	21.46	21.31	21.24	
		25	25	21.24	21.3	21.42	
		50	0	21.11	21.14	21.12	20.5±1.0
	16QAM	1	0	20.71	20.77	20.85	20.0±1.0
		1	25	20.7	20.98	21	
		1	49	20.7	20.79	20.87	
		25	0	20.36	20.48	20.63	20.0±1.0
		25	13	20.47	20.42	20.47	
		25	25	20.57	20.45	20.65	
		50	0	20.3	20.27	20.27	19.5±1.0



LTE FDD Band 7				Conducted Power(dBm)			
Bandwidth	Modulation	RB size	RB offset	Channel/Frequency			Tune up
				20825/2507.5	21100/2535	21375/2562.5	
15MHz	QPSK	1	0	21.89	21.65	21.67	21.0±1.0
		1	38	21.9	21.89	21.73	
		1	74	21.89	21.85	21.8	
		36	0	21.5	21.36	21.39	20.5±1.0
		36	18	21.4	21.21	21.4	
		36	39	21.33	21.27	21.31	
		75	0	21.13	21.05	21.15	20.5±1.0
	16QAM	1	0	20.89	20.94	20.71	20.0±1.0
		1	38	20.71	20.77	20.96	
		1	74	20.9	20.86	20.71	
		36	0	20.42	20.35	20.55	20.0±1.0
		36	18	20.36	20.44	20.65	
		36	39	20.57	20.64	20.38	
		75	0	20.27	20.23	20.2	
19.5±1.0							
Bandwidth	Modulation	RB size	RB offset	Channel/Frequency			Tune up
				20850/2510	21100/2535	21350/2560	
20MHz	QPSK	1	0	21.71	21.96	21.62	21.0±1.0
		1	50	21.71	21.9	21.64	
		1	99	21.9	21.68	21.8	
		50	0	21.21	21.49	21.36	20.5±1.0
		50	25	21.38	21.33	21.37	
		50	50	21.5	21.23	21.2	
		100	0	21.13	21.09	21.09	
	20.5±1.0						
	16QAM	1	0	20.81	20.73	20.97	20.0±1.0
		1	50	20.75	20.89	20.99	
		1	99	20.86	20.93	20.93	
		50	0	20.41	20.62	20.61	20.0±1.0
		50	25	20.61	20.61	20.62	
		50	50	20.35	20.56	20.48	
100		0	20.25	20.27	20.22		
19.5±1.0							



5. LTE Band 12 Conducted Power Test Verdict:

LTE FDD Band 12				Conducted Power(dBm)						
Bandwidth	Modulation	RB size	RB offset	Channel/Frequency			Tune up			
				23017/699.7	23095/707.5	23173/715.3				
1.4MHz	QPSK	1	0	23.35	23.2	23.19	22.5±1.0			
		1	3	23.39	23.11	23.25				
		1	5	23.22	23.17	23.23				
		3	0	22.72	22.7	23	22.0±1.0			
		3	2	23	22.76	22.87				
		3	3	22.73	22.82	22.82				
	16QAM	16QAM	6	0	22.61	22.63	22.61	22.0±1.0		
			1	0	22.37	22.46	22.23	21.5±1.0		
			1	3	22.44	22.5	22.31			
			1	5	22.48	22.49	22.24			
			3	0	22.09	22.1	21.85	21.5±1.0		
			3	2	21.95	22.07	21.98			
			3	3	21.91	21.98	22.15			
			6	0	21.7	21.76	21.78	21.0±1.0		
Bandwidth	Modulation	RB size	RB offset	Channel/Frequency			Tune up			
				23025/700.5	23095/707.5	23165/714.5				
3MHz	QPSK	1	0	23.27	23.18	23.16	22.5±1.0			
		1	7	23.11	23.37	23.18				
		1	14	23.31	23.24	23.39				
		16QAM	16QAM	8	0	22.88	22.78	22.83	22.0±1.0	
				8	4	22.84	22.95	22.94		
				8	7	22.99	22.91	22.83		
				15	0	22.62	22.6	22.64	22.0±1.0	
	16QAM			16QAM	1	0	22.5	22.32	22.28	21.5±1.0
					1	7	22.31	22.26	22.28	
		1	14		22.46	22.23	22.36			
		8	0		21.93	22.05	21.96	21.5±1.0		
		8	4		21.99	21.99	22.04			
		8	7		22.03	22.15	22.06			
		15	0		21.73	21.74	21.7		21.0±1.0	



LTE FDD Band 12				Conducted Power(dBm)			
Bandwidth	Modulation	RB size	RB offset	Channel/Frequency			Tune up
				23035/701.5	23095/707.5	23155/713.5	
5MHz	QPSK	1	0	23.28	23.2	23.2	22.5±1.0
		1	13	23.26	23.18	23.27	
		1	24	23.12	23.22	23.32	
		12	0	22.77	22.82	22.88	22.0±1.0
		12	6	22.98	22.71	22.83	
		12	13	22.99	22.88	22.82	
	25	0	22.63	22.56	22.63	22.0±1.0	
	16QAM	1	0	22.29	22.44	22.43	21.5±1.0
		1	13	22.41	22.29	22.29	
		1	24	22.5	22.35	22.31	
		12	0	21.87	21.98	22.04	21.5±1.0
		12	6	22.06	21.87	21.97	
12		13	21.88	21.92	22.08		
25	0	21.78	21.77	21.71	21.0±1.0		
Bandwidth	Modulation	RB size	RB offset	Channel/Frequency			Tune up
				23060/704	23095/707.5	23130/711	
10MHz	QPSK	1	0	23.36	23.45	22.99	22.5±1.0
		1	25	23.32	23.11	23.34	
		1	49	23.16	23.14	23.18	
		25	0	22.76	23	22.85	22.0±1.0
		25	13	22.77	22.88	22.84	
		25	25	22.86	22.78	22.84	
	50	0	22.61	22.57	22.58	22.0±1.0	
	16QAM	1	0	22.36	22.41	22.5	21.5±1.0
		1	25	22.47	22.32	22.25	
		1	49	22.21	22.21	22.4	
		25	0	22	21.91	22.11	21.5±1.0
		25	13	22.02	21.86	22.15	
25		25	22.09	22.11	21.91		
50	0	21.73	21.8	21.79	21.0±1.0		



6. LTE Band 17 Conducted Power Test Verdict:

LTE FDD Band 17				Conducted Power(dBm)			
Bandwidth	Modulation	RB size	RB offset	Channel/Frequency			Tune up
				23755/706.5	23790/710	23825/713.5	
5MHz	QPSK	1	0	22.6	22.68	22.71	22.0±1.0
		1	13	22.86	22.63	22.79	
		1	24	22.85	22.88	22.87	
		12	0	22.49	22.49	22.36	21.5±1.0
		12	6	22.24	22.48	22.23	
		12	13	22.43	22.38	22.41	
		25	0	22.1	22.05	22.13	21.5±1.0
	16QAM	1	0	21.72	21.83	21.76	21.0±1.0
		1	13	21.72	21.89	21.99	
		1	24	21.98	21.73	21.95	
		12	0	21.61	21.37	21.38	21.0±1.0
		12	6	21.45	21.57	21.52	
		12	13	21.35	21.47	21.52	
		25	0	21.24	21.23	21.22	20.5±1.0
Bandwidth	Modulation	RB size	RB offset	Channel/Frequency			Tune up
				23780/709	23790/710	23800/711	
10MHz	QPSK	1	0	22.89	22.92	22.9	22.0±1.0
		1	25	22.61	22.62	22.72	
		1	49	22.73	22.89	22.6	
		25	0	22.37	22.49	22.27	21.5±1.0
		25	13	22.43	22.29	22.3	
		25	25	22.41	22.36	22.2	
		50	0	22.12	22.08	22.1	21.5±1.0
	16QAM	1	0	21.72	21.96	21.83	21.0±1.0
		1	25	21.87	21.86	21.92	
		1	49	21.76	21.94	21.8	
		25	0	21.42	21.5	21.56	21.0±1.0
		25	13	21.62	21.42	21.41	
		25	25	21.36	21.36	21.58	
		50	0	21.3	21.21	21.21	20.5±1.0



7. LTE Band 25 Conducted Power Test Verdict:

LTE FDD Band 25				Conducted Power(dBm)			
Bandwidth	Modulation	RB size	RB offset	Channel/Frequency			Tune up
				26047/1850.7	26365/1882.5	26683/1914.3	
1.4MHz	QPSK	1	0	22.68	22.71	22.72	22.0±1.0
		1	3	22.63	22.74	22.52	
		1	5	22.79	22.65	22.71	
		3	0	22.21	22.3	22.29	21.5±1.0
		3	2	22.38	22.27	22.3	
		3	3	22.36	22.15	22.4	
		6	0	22	22.05	22	21.5±1.0
	16QAM	1	0	21.73	21.81	21.81	21.0±1.0
		1	3	21.85	21.69	21.67	
		1	5	21.8	21.84	21.92	
		3	0	21.45	21.33	21.41	21.0±1.0
		3	2	21.48	21.56	21.46	
		3	3	21.45	21.58	21.52	
		6	0	21.18	21.19	21.22	20.5±1.0
Bandwidth	Modulation	RB size	RB offset	Channel/Frequency			Tune up
				26055/1851.5	26365/1882.5	26675/1913.5	
3MHz	QPSK	1	0	22.55	22.78	22.62	22.0±1.0
		1	7	22.64	22.8	22.73	
		1	14	22.56	22.51	22.6	
		8	0	22.32	22.38	22.33	21.5±1.0
		8	4	22.18	22.43	22.27	
		8	7	22.2	22.37	22.44	
		15	0	22.03	22.1	22.04	21.5±1.0
	16QAM	1	0	21.67	21.94	21.77	21.0±1.0
		1	7	21.79	21.91	21.69	
		1	14	21.83	21.87	21.68	
		8	0	21.37	21.43	21.36	21.0±1.0
		8	4	21.45	21.56	21.6	
		8	7	21.41	21.51	21.49	
		15	0	21.2	21.2	21.21	20.5±1.0



LTE FDD Band 25				Conducted Power(dBm)			
Bandwidth	Modulation	RB size	RB offset	Channel/Frequency			Tune up
				26065/1852.5	26365/1882.5	26665/1912.5	
5MHz	QPSK	1	0	22.67	22.56	22.65	22.0±1.0
		1	13	22.58	22.78	22.78	
		1	24	22.56	22.53	22.52	
		12	0	22.23	22.27	22.45	21.5±1.0
		12	6	22.31	22.27	22.27	
		12	13	22.17	22.24	22.41	
		25	0	22.06	22.01	22.05	21.5±1.0
	16QAM	1	0	21.74	21.81	21.76	21.0±1.0
		1	13	21.65	21.76	21.67	
		1	24	21.76	21.89	21.66	
		12	0	21.4	21.47	21.49	21.0±1.0
		12	6	21.51	21.43	21.42	
		12	13	21.39	21.36	21.34	
		25	0	21.17	21.15	21.15	20.5±1.0
Bandwidth	Modulation	RB size	RB offset	Channel/Frequency			Tune up
				26090/1855	26365/1882.5	26640/1910	
10MHz	QPSK	1	0	22.68	22.63	22.69	22.0±1.0
		1	25	22.51	22.62	22.66	
		1	49	22.55	22.73	22.7	
		25	0	22.15	22.33	22.44	21.5±1.0
		25	13	22.31	22.28	22.2	
		25	25	22.32	22.4	22.39	
		50	0	22.08	22.06	22.08	21.5±1.0
	16QAM	1	0	21.68	21.81	21.75	21.0±1.0
		1	25	21.82	21.83	21.75	
		1	49	21.7	21.81	21.7	
		25	0	21.37	21.34	21.43	21.0±1.0
		25	13	21.44	21.36	21.6	
		25	25	21.41	21.59	21.33	
		50	0	21.21	21.16	21.18	20.5±1.0



LTE FDD Band 25				Conducted Power(dBm)			
Bandwidth	Modulation	RB size	RB offset	Channel/Frequency			Tune up
				26115/1857.5	26365/1882.5	26615/1907.5	
15MHz	QPSK	1	0	22.56	22.79	22.78	22.0±1.0
		1	38	22.58	22.79	22.68	
		1	74	22.56	22.59	22.53	
		36	0	22.38	22.22	22.37	21.5±1.0
		36	18	22.17	22.25	22.34	
		36	39	22.34	22.23	22.32	
		75	0	22.04	22.02	22.08	21.5±1.0
	16QAM	1	0	21.68	21.7	21.81	21.0±1.0
		1	38	21.66	21.73	21.66	
		1	74	21.91	21.88	21.82	
		36	0	21.36	21.52	21.35	21.0±1.0
		36	18	21.41	21.34	21.5	
		36	39	21.54	21.56	21.56	
		75	0	21.17	21.24	21.16	20.5±1.0
Bandwidth	Modulation	RB size	RB offset	Channel/Frequency			Tune up
				26140/1860	26365/1882.5	26590/1905	
20MHz	QPSK	1	0	22.41	22.37	22.82	22.0±1.0
		1	50	22.65	22.66	22.77	
		1	99	22.52	22.57	22.66	
		50	0	22.24	22.17	22.36	21.5±1.0
		50	25	22.25	22.25	22.15	
		50	50	22.2	22.34	22.32	
		100	0	22.06	22.01	22.08	21.5±1.0
	16QAM	1	0	21.67	21.91	21.94	21.0±1.0
		1	50	21.66	21.91	21.91	
		1	99	21.88	21.66	21.82	
		50	0	21.44	21.35	21.51	21.0±1.0
		50	25	21.31	21.3	21.56	
		50	50	21.57	21.55	21.4	
		100	0	21.21	21.19	21.18	20.5±1.0



8. LTE Band 41 Conducted Power Test Verdict:

LTE TDD Band 41				Conducted Power(dBm)			
Bandwidth	Modulation	RB size	RB offset	Channel/Frequency			Tune up
				39675/2498.5	40620/2593	41565/2687.5	
5MHz	QPSK	1	0	20.83	20.91	21	20.5±1.0
		1	13	21.06	21.05	20.84	
		1	24	20.83	20.86	20.98	
		12	0	20.61	20.55	20.55	20.0±1.0
		12	6	20.57	20.59	20.5	
		12	13	20.67	20.45	20.72	
		25	0	20.38	20.37	20.34	19.5±1.0
	16QAM	1	0	20.11	20.06	19.98	19.5±1.0
		1	13	20.17	19.96	20.13	
		1	24	20.04	20.19	20	
		12	0	19.78	19.6	19.62	19.0±1.0
		12	6	19.86	19.68	19.81	
		12	13	19.84	19.6	19.89	
		25	0	19.5	19.51	19.5	19.0±1.0
Bandwidth	Modulation	RB size	RB offset	Channel/Frequency			Tune up
				39700/2501	40620/2593	41540/2685	
10MHz	QPSK	1	0	20.94	21.09	20.86	20.5±1.0
		1	25	21	21.1	21.07	
		1	49	20.88	20.84	20.98	
		25	0	20.61	20.67	20.65	20.0±1.0
		25	13	20.75	20.6	20.61	
		25	25	20.65	20.67	20.63	
		50	0	20.36	20.31	20.4	19.5±1.0
	16QAM	1	0	20.06	20.22	20.24	19.5±1.0
		1	25	20.02	20.16	20.2	
		1	49	20	20.09	20.12	
		25	0	19.84	19.74	19.69	19.0±1.0
		25	13	19.86	19.67	19.82	
		25	25	19.74	19.8	19.67	
		50	0	19.49	19.47	19.5	19.0±1.0



LTE TDD Band 41				Conducted Power(dBm)			
Bandwidth	Modulation	RB size	RB offset	Channel/Frequency			Tune up
				39725/2503.5	40620/2593	41515/2682.5	
15MHz	QPSK	1	0	21.04	21.02	20.84	20.5±1.0
		1	38	20.98	20.97	21.07	
		1	74	20.92	20.94	21.01	
		36	0	20.7	20.67	20.46	20.0±1.0
		36	18	20.63	20.5	20.75	
		36	39	20.69	20.67	20.45	
		75	0	20.31	20.39	20.38	19.5±1.0
	16QAM	1	0	20.2	20.05	20.16	19.5±1.0
		1	38	20.08	19.99	20.02	
		1	74	20.17	19.98	20.16	
		36	0	19.6	19.62	19.88	19.0±1.0
		36	18	19.69	19.62	19.72	
		36	39	19.8	19.87	19.82	
		75	0	19.5	19.53	19.48	19.0±1.0
Bandwidth	Modulation	RB size	RB offset	Channel/Frequency			Tune up
				39750/2506	40620/2593	41490/2680	
20MHz	QPSK	1	0	20.95	21.16	20.89	20.5±1.0
		1	50	20.87	20.94	20.8	
		1	99	20.85	20.93	20.86	
		50	0	20.7	20.75	20.53	20.0±1.0
		50	25	20.71	20.65	20.59	
		50	50	20.69	20.72	20.63	
		100	0	20.31	20.39	20.4	19.5±1.0
	16QAM	1	0	20.19	20.21	20.21	19.5±1.0
		1	50	20.01	20.08	19.98	
		1	99	20.19	20.04	20.04	
		50	0	19.72	19.78	19.62	19.0±1.0
		50	25	19.71	19.77	19.75	
		50	50	19.88	19.82	19.69	
		100	0	19.49	19.52	19.52	19.0±1.0



9. LTE Band 66 Conducted Power Test Verdict:

LTE FDD Band 66				Conducted Power(dBm)			
Bandwidth	Modulation	RB size	RB offset	Channel/Frequency			Tune up
				131979/1710.7	132322/1745	132665/1779.3	
1.4MHz	QPSK	1	0	21.78	21.67	21.7	21.0±1.0
		1	3	21.8	21.76	21.61	
		1	5	21.66	21.63	21.54	
		3	0	21.39	21.36	21.21	20.5±1.0
		3	2	21.15	21.43	21.17	
		3	3	21.15	21.33	21.23	
		6	0	21.04	21.07	21	20.5±1.0
	16QAM	1	0	20.85	20.73	20.7	20.0±1.0
		1	3	20.82	20.74	20.78	
		1	5	20.67	20.69	20.89	
		3	0	20.34	20.33	20.49	20.0±1.0
		3	2	20.58	20.49	20.45	
		3	3	20.38	20.38	20.4	
		6	0	20.19	20.19	20.18	19.5±1.0
Bandwidth	Modulation	RB size	RB offset	Channel/Frequency			Tune up
				131987/1711.5	12322/1745	132657/1778.5	
3MHz	QPSK	1	0	21.6	21.66	21.79	21.0±1.0
		1	7	21.55	21.69	21.53	
		1	14	21.64	21.74	21.79	
		8	0	21.35	21.21	21.3	20.5±1.0
		8	4	21.17	21.17	21.35	
		8	7	21.31	21.41	21.37	
		15	0	21.05	21.03	21.02	20.5±1.0
	16QAM	1	0	20.67	20.75	20.76	20.0±1.0
		1	7	20.7	20.87	20.75	
		1	14	20.74	20.8	20.93	
		8	0	20.41	20.42	20.54	20.0±1.0
		8	4	20.41	20.6	20.42	
		8	7	20.53	20.44	20.45	
		15	0	20.23	20.19	20.25	19.5±1.0



LTE FDD Band 66				Conducted Power(dBm)			
Bandwidth	Modulation	RB size	RB offset	Channel/Frequency			Tune up
				131997/1712.5	132322/1745	132647/1777.5	
5MHz	QPSK	1	0	21.65	21.63	21.78	21.0±1.0
		1	13	21.68	21.51	21.72	
		1	24	21.56	21.76	21.51	
		12	0	21.31	21.2	21.42	20.5±1.0
		12	6	21.37	21.25	21.45	
		12	13	21.16	21.31	21.31	
		25	0	21	21.09	21.02	21.02
	16QAM	1	0	20.67	20.87	20.76	20.0±1.0
		1	13	20.93	20.88	20.66	
		1	24	20.85	20.82	20.68	
		12	0	20.44	20.49	20.3	20.0±1.0
		12	6	20.39	20.51	20.38	
		12	13	20.54	20.3	20.42	
		25	0	20.16	20.2	20.21	19.5±1.0
Bandwidth	Modulation	RB size	RB offset	Channel/Frequency			Tune up
10MHz	QPSK	1	0	21.75	21.74	21.71	21.0±1.0
		1	25	21.54	21.76	21.65	
		1	49	21.7	21.64	21.61	
		25	0	21.23	21.23	21.38	20.5±1.0
		25	13	21.37	21.26	21.27	
		25	25	21.2	21.44	21.16	
		50	0	21.01	21.02	21.1	20.5±1.0
	16QAM	1	0	20.9	20.91	20.68	20.0±1.0
		1	25	20.74	20.72	20.88	
		1	49	20.8	20.85	20.67	
		25	0	20.54	20.33	20.47	20.0±1.0
		25	13	20.53	20.58	20.44	
		25	25	20.56	20.46	20.48	
		50	0	20.22	20.19	20.21	19.5±1.0



LTE FDD Band 66				Conducted Power(dBm)			
Bandwidth	Modulation	RB size	RB offset	Channel/Frequency			Tune up
				132047/1717.5	132322/1745	132597/1772.5	
15MHz	QPSK	1	0	21.73	21.65	21.73	21.0±1.0
		1	38	21.52	21.54	21.68	
		1	74	21.74	21.52	21.68	
		36	0	21.21	21.41	21.36	20.5±1.0
		36	18	21.25	21.45	21.43	
		36	39	21.28	21.26	21.18	
		75	0	21.06	21.01	21.03	20.5±1.0
	16QAM	1	0	20.85	20.7	20.84	20.0±1.0
		1	38	20.94	20.68	20.7	
		1	74	20.78	20.79	20.85	
		36	0	20.43	20.51	20.56	20.0±1.0
		36	18	20.41	20.54	20.5	
		36	39	20.59	20.38	20.52	
		75	0	20.25	20.2	20.2	19.5±1.0
Bandwidth	Modulation	RB size	RB offset	Channel/Frequency			Tune up
				132072/1720	132322/1745	132572/1770	
20MHz	QPSK	1	0	21.68	21.81	21.74	21.0±1.0
		1	50	21.62	21.65	21.62	
		1	99	21.57	21.56	21.55	
		50	0	21.15	21.45	21.3	20.5±1.0
		50	25	21.38	21.39	21.33	
		50	50	21.27	21.18	21.36	
		100	0	21.1	21.06	21.01	20.5±1.0
	16QAM	1	0	20.84	20.67	20.9	20.0±1.0
		1	50	20.9	20.72	20.88	
		1	99	20.82	20.65	20.76	
		50	0	20.48	20.34	20.59	20.0±1.0
		50	25	20.47	20.59	20.44	
		50	50	20.52	20.32	20.52	
		100	0	20.15	20.17	20.22	19.5±1.0

7.4 WIFI Conducted Power

WLAN 2.4GHz Band Conducted Power

Channel/Freq.(MHz)	Maximum Conducted Out Power (dBm)		
	802.11b	802.11g	802.11n(HT20)
1(2412)	16.32	14.77	12.52
6(2437)	16.17	15.17	13.11
11(2462)	16.52	15.48	13.46
Channel/Freq.(MHz)	Maximum Conducted Out Power (dBm)		
	802.11n(HT40)		
3(2422)	11.09		
6(2437)	11.33		
9(2452)	11.05		

WLAN 5GHz Band Conducted Power

U-NII-1 AVGSA Output Power

Mode	Test Frequency (MHz)	Max Conducted Output Power (dBm)
802.11n (20MHz)	5180	11.28
802.11n (20MHz)	5220	11.49
802.11n (20MHz)	5240	11.78
802.11n (40MHz)	5190	11.52
802.11n (40MHz)	5230	11.93
802.11a (20MHz)	5180	12.26
802.11a (20MHz)	5220	12.46
802.11a (20MHz)	5240	12.76
802.11ac (20MHz)	5180	11.20
802.11ac (20MHz)	5220	11.47
802.11ac (20MHz)	5240	11.48
802.11ac (40MHz)	5190	11.74
802.11ac (40MHz)	5230	11.92



U-NII-2a AVGSA Output Power

Mode	Test Frequency (MHz)	Max Conducted Output Power (dBm)
802.11n (20MHz)	5260	11.76
802.11n (20MHz)	5300	12.16
802.11n (20MHz)	5320	11.75
802.11n (40MHz)	5270	11.44
802.11n (40MHz)	5310	11.78
802.11a (20MHz)	5260	12.38
802.11a (20MHz)	5300	12.58
802.11a (20MHz)	5320	12.73
802.11ac (20MHz)	5260	11.23
802.11ac (20MHz)	5300	11.71
802.11ac (20MHz)	5320	11.34
802.11ac (40MHz)	5270	11.29
802.11ac (40MHz)	5310	11.58



U-NII-2C AVGSA Output Power

Mode	Test Frequency (MHz)	Max Conducted Output Power (dBm)
802.11n (20MHz)	5500	11.95
802.11n (20MHz)	5600	12.35
802.11n (20MHz)	5700	12.62
802.11n (40MHz)	5510	11.39
802.11n (40MHz)	5590	12.21
802.11n (40MHz)	5670	12.67
802.11a (20MHz)	5500	12.73
802.11a (20MHz)	5600	12.74
802.11a (20MHz)	5700	12.62
802.11ac (20MHz)	5500	11.16
802.11ac (20MHz)	5600	11.73
802.11ac (20MHz)	5700	12.13
802.11ac (40MHz)	5510	11.53
802.11ac (40MHz)	5590	12.13
802.11ac (40MHz)	5670	12.60



U-NII-3 AVGSA Output Power

Mode	Test Frequency (MHz)	Max Conducted Output Power (dBm)
802.11a (20MHz)	5745	12.67
802.11a (20MHz)	5785	12.33
802.11a (20MHz)	5825	12.82
802.11n (20MHz)	5745	11.91
802.11n (20MHz)	5785	11.78
802.11n (20MHz)	5825	11.98
802.11n (40MHz)	5755	11.58
802.11n (40MHz)	5795	11.23
802.11ac (20MHz)	5745	11.15
802.11ac (20MHz)	5785	11.50
802.11ac (20MHz)	5825	11.69
802.11ac (40MHz)	5755	11.24
802.11ac (40MHz)	5795	11.70

7.5 Bluetooth Output Power

Channel	Frequency (MHz)	BT3.0 Output Power(dBm)		
		GFSK	$\pi/4$ -DQPSK	8-DPSK
CH 0	2402	6.11	6.11	6.21
CH 39	2441	7.43	7.38	7.65
CH 78	2480	6.57	6.52	6.75
Channel	Frequency (MHz)	BT4.0 Output Power(dBm)		
		GFSK		
CH 0	2402	-3.504		
CH 20	2442	-2.258		
CH 39	2480	-3.285		

Note:

1. Per KDB248227 D01 v02r02, choose the highest output power channel to test SAR and determine further SAR exclusion
2. For each frequency band, testing at higher data rates and higher order modulations is not required when the maximum average output power for each of these configurations is less than 1/4dB higher than those measured at lowest data rate
3. Per KDB248227 D01 v02r02, 802.11g /11n-HT20/11n-HT40 is not required. . When the highest reported SAR for DSSS is adjusted by the ratio of OFDM to DSSS specified maximum output power and the adjusted SAR is $\leq 1.2\text{W/Kg}$. Thus the SAR can be excluded.

8. SAR test Exclusion and estimate SAR calculation:

Note:

1. Per KDB 447498 D01v06, the 1-g and 10-g SAR test exclusion thresholds for 100MHz to 6GHz at test separation distances $\leq 50\text{mm}$ are determined by: $[(\text{max. power of channel, including tune-up tolerance, mW}) / (\text{min. test separation distance, mm})] \cdot \sqrt{f}$ (GHz) ≤ 3.0 for 1-g SAR and ≤ 7.5 for 10-g extremity SAR
 - (1) f(GHz) is the RF channel transmit frequency in GHz
 - (2) Power and distance are round to the nearest mW and mm before calculation
 - (3) The result is rounded to one decimal place for comparison
 - (4) If the test separation distance(antenna-user) is $< 5\text{mm}$, 5mm is used for excluded SAR calculation
 - (5)

BT3.0 Max Power (dBm)	mW	Test Distance (mm)	Frequency(GHz)	Exclusion Thresholds
8.0	6.310	5	2.45	1.975

Per KDB 447498 D01v06 exclusion thresholds is $1.975 < 3$, RF exposure evaluation is not required.

BT estimated SAR value = Exclusion Thresholds / 7.5 = $1.975 / 7.5 = 0.263\text{W/Kg}$

BT3.0 Max Power (dBm)	mW	Test Distance (mm)	Frequency(GHz)	Exclusion Thresholds
8.0	6.310	10	2.45	0.988

Per KDB 447498 D01v06 exclusion thresholds is $0.988 < 3$, RF exposure evaluation is not required.

BT estimated SAR value = Exclusion Thresholds / 7.5 = $0.988 / 7.5 = 0.132\text{W/Kg}$

BT4.0 Max Power (dBm)	mW	Test Distance (mm)	Frequency(GHz)	Exclusion Thresholds
-3.0	0.501	5	2.45	0.157

Per KDB 447498 D01v06 exclusion thresholds is $0.157 < 3$, RF exposure evaluation is not required.

BT estimated SAR value = Exclusion Thresholds / 7.5 = $0.157 / 7.5 = 0.021\text{W/Kg}$

BT4.0 Max Power (dBm)	mW	Test Distance (mm)	Frequency(GHz)	Exclusion Thresholds
-3.0	0.501	10	2.45	0.078

Per KDB 447498 D01v06 exclusion thresholds is $0.078 < 3$, RF exposure evaluation is not required.

BT estimated SAR value = Exclusion Thresholds / 7.5 = $0.078 / 7.5 = 0.010\text{W/Kg}$

The estimated SAR value is used for simultaneous transmission analysis.

Antenna Location:





Antenna-to-User (Edge Side) distance (mm):

Antenna	Front	Back	Edge A	Edge B	Edge C	Edge D
WWAN Main Antenna	12	6	141	20	4	5
WIFI/BT	16	5	7	5	133	47

Note: The diagonal distance of the overall section is 15.5cm.

The Body SAR measurement positions of each band are as below:

Antenna	Front	Back	Edge A	Edge B	Edge C	Edge D
WWAN Antenna Body-worn	Yes	Yes	No	No	No	No
WWAN Antenna hotspot	Yes	Yes	No	Yes	Yes	Yes
WIFI Antenna Body-worn	Yes	Yes	No	No	No	No
WIFI Antenna hotspot	Yes	Yes	Yes	Yes	No	No

Note: According to KDB 941225 D06 v02r01, when antenna-to-edge>2.5cm, SAR is not required.

9. Scaling Factor calculation

Operation Mode	Channel /Frequency	Output Power(dBm)	Tune up Power in tolerance (dBm)	Max. Tune up(dBm)	Scaling Factor
GSM850	128/824.2	31.96	31.5 ± 1.0	32.50	1.132
	190/836.6	32.14	31.5 ± 1.0	32.50	1.086
	251/848.8	32.35	31.5 ± 1.0	32.50	1.035
GPRS850 (GPRS 4Tx)	128/824.2	27.01	26.5 ± 1.0	27.50	1.119
	190/836.6	27.10	26.5 ± 1.0	27.50	1.096
	251/848.8	27.32	26.5 ± 1.0	27.50	1.042
GSM1900	512/1850.2	29.64	29.0 ± 1.0	30.00	1.086
	661/1880.0	29.83	29.0 ± 1.0	30.00	1.040
	810/1909.8	29.72	29.0 ± 1.0	30.00	1.067
GPRS1900 (GPRS 4Tx)	512/1850.2	25.13	24.5 ± 1.0	25.50	1.089
	661/1880.0	25.34	24.5 ± 1.0	25.50	1.038
	810/1909.8	25.26	24.5 ± 1.0	25.50	1.057
WCDMA850	4132/826.4	22.32	21.5 ± 1.0	22.50	1.042
	4183/836.6	22.42	21.5 ± 1.0	22.50	1.019
	4233/846.6	22.38	21.5 ± 1.0	22.50	1.028
WCDMA1900	9262/1852.4	22.45	21.5 ± 1.0	22.50	1.012
	9400/1880.0	22.27	21.5 ± 1.0	22.50	1.054
	9538/1907.6	22.42	21.5 ± 1.0	22.50	1.019
LTE B2 20MHz 1RB#0	18700/1860	21.60	21.0 ± 1.0	22.00	1.096
	18900/1880	21.93	21.0 ± 1.0	22.00	1.016
	19100/1900	21.66	21.0 ± 1.0	22.00	1.081
LTE B2 20MHz 50RB#0	18700/1860	21.27	20.5 ± 1.0	21.50	1.054
	18900/1880	21.48	20.5 ± 1.0	21.50	1.005
	19100/1900	21.37	20.5 ± 1.0	21.50	1.030
LTE B4 20MHz 1RB#0	20050/1720	21.80	21.0 ± 1.0	22.00	1.047
	20175/1732.5	21.99	21.0 ± 1.0	22.00	1.002
	20300/1745	21.86	21.0 ± 1.0	22.00	1.033
LTE B4 20MHz 50RB#0	20050/1720	21.24	20.5 ± 1.0	21.50	1.062
	20175/1732.5	21.46	20.5 ± 1.0	21.50	1.009
	20300/1745	21.27	20.5 ± 1.0	21.50	1.054
LTE B5 10MHz 1RB#0	20450/829	23.20	22.5 ± 1.0	23.50	1.072
	20525/836.5	23.41	22.5 ± 1.0	23.50	1.021
	20600/844	23.34	22.5 ± 1.0	23.50	1.038
LTE B5 10MHz 25RB#0	20450/829	22.87	22.0 ± 1.0	23.00	1.030
	20525/836.5	22.97	22.0 ± 1.0	23.00	1.007
	20600/844	22.75	22.0 ± 1.0	23.00	1.059



LTE B7 20MHz 1RB#0	20850/2510	21.71	21.0 ± 1.0	22.00	1.069
	21100/2535	21.96	21.0 ± 1.0	22.00	1.009
	21350/2560	21.62	21.0 ± 1.0	22.00	1.091
LTE B7 20MHz 50RB#0	20850/2510	21.21	20.5 ± 1.0	21.50	1.069
	21100/2535	21.49	20.5 ± 1.0	21.50	1.002
	21350/2560	21.36	20.5 ± 1.0	21.50	1.033
LTE B12 10MHz 1RB#0	23060/704	23.36	22.5 ± 1.0	23.50	1.033
	23095/707.5	23.45	22.5 ± 1.0	23.50	1.012
	23130/711	22.99	22.5 ± 1.0	23.50	1.125
LTE B12 10MHz 25RB#0	23060/704	22.76	22.0 ± 1.0	23.00	1.057
	23095/707.5	23.00	22.0 ± 1.0	23.00	1.000
	23130/711	22.85	22.0 ± 1.0	23.00	1.035
LTE B17 10MHz 1RB#0	23780/709	22.89	22.0 ± 1.0	23.00	1.026
	23790/710	22.92	22.0 ± 1.0	23.00	1.019
	23800/711	22.90	22.0 ± 1.0	23.00	1.023
LTE B17 10MHz 25RB#0	23780/709	22.37	21.5 ± 1.0	22.50	1.030
	23790/710	22.49	21.5 ± 1.0	22.50	1.002
	23800/711	22.27	21.5 ± 1.0	22.50	1.054
LTE B25 20MHz 1RB#0	26140/1860	22.41	22.0 ± 1.0	23.00	1.146
	26365/1882.5	22.37	22.0 ± 1.0	23.00	1.156
	26590/1905	22.82	22.0 ± 1.0	23.00	1.042
LTE B25 20MHz 50RB#0	26140/1860	22.24	21.5 ± 1.0	22.50	1.062
	26365/1882.5	22.17	21.5 ± 1.0	22.50	1.079
	26590/1905	22.36	21.5 ± 1.0	22.50	1.033
LTE B41 20MHz 1RB#0	39750/2506	20.95	20.5 ± 1.0	21.50	1.135
	40620/2593	21.16	20.5 ± 1.0	21.50	1.081
	41490/2680	20.89	20.5 ± 1.0	21.50	1.151
LTE B41 20MHz 50RB#0	39750/2506	20.70	20.0 ± 1.0	21.00	1.072
	40620/2593	20.75	20.0 ± 1.0	21.00	1.059
	41490/2680	20.53	20.0 ± 1.0	21.00	1.114
LTE B66 20MHz 1RB#0	132072/1720	21.68	21.0 ± 1.0	22.00	1.076
	132322/1745	21.81	21.0 ± 1.0	22.00	1.045
	132572/1770	21.74	21.0 ± 1.0	22.00	1.062
LTE B66 20MHz 50RB#0	132072/1720	21.15	20.5 ± 1.0	21.50	1.084
	132322/1745	21.45	20.5 ± 1.0	21.50	1.012
	132572/1770	21.30	20.5 ± 1.0	21.50	1.047
WIFI 2.4G 802.11b	1/2412	16.32	16.0 ± 1.0	17.00	1.169
	6/2437	16.17	16.0 ± 1.0	17.00	1.211
	11/2462	16.52	16.0 ± 1.0	17.00	1.117



WIFI 5G BAND I	48/5240	12.76	12.0 ± 1.0	13.00	1.057
WIFI5G BAND II	64/5320	12.73	12.0 ± 1.0	13.00	1.064
WIFI5G BANDIII	120/5600	12.74	12.0 ± 1.0	13.00	1.062
WIFI5G BANDIV	165/5825	12.82	12.0 ± 1.0	13.00	1.042
CDMA BC0 1XRTT(RC1 SO55)	1013/824.7	23.35	22.5 ± 1.0	23.50	1.035
	384/836.5	23.26	22.5 ± 1.0	23.50	1.057
	777/848.3	22.94	22.5 ± 1.0	23.50	1.138
CDMA BC0 1XRTT(RC3 SO32)	1013/824.7	23.16	22.5 ± 1.0	23.50	1.081
	384/836.5	23.04	22.5 ± 1.0	23.50	1.112
	777/848.3	22.76	22.5 ± 1.0	23.50	1.186
CDMA BC0 (1xEVDO (Rel.A))	1013/824.7	22.94	22.0 ± 1.0	23.00	1.014
	384/836.5	22.87	22.0 ± 1.0	23.00	1.030
	777/848.3	22.56	22.0 ± 1.0	23.00	1.107

Note: for LTE power tolerance, only QPSK modulation mode was provide here.

10. Test Results

Results overview of GSM850

Test Position of Head	Channel /Frequency	Mode	SAR Value (W/kg)1-g	Power drift(%)	Scaled Factor	Scaled SAR (W/Kg)1-g	SAR Plot.
Left Cheek	251/848.8	Voice	0.311	-2.52	1.035	0.322	/
Left Tilt 15°	251/848.8	Voice	0.288	-1.40	1.035	0.298	/
Right Cheek	251/848.8	Voice	0.332	-1.95	1.035	0.344	Yes
Right Tilt 15°	251/848.8	Voice	0.283	-2.48	1.035	0.293	/
Body-worn(10mm)	Channel /Frequency	Mode	SAR Value (W/kg)1-g	Power drift(%)	Scaled Factor	Scaled SAR (W/Kg)1-g	SAR Plot.
Back Upward	128/824.2	GPRS 4Tx	1.039	-1.59	1.119	1.163	/
Back Upward	190/836.6	GPRS 4Tx	1.068	-2.67	1.096	1.171	/
Back Upward	251/848.8	GPRS 4Tx	1.132	-0.50	1.042	1.180	Yes
Back Upward Repeat	128/824.2	GPRS 4Tx	0.991	-1.67	1.119	1.109	/
Back Upward Repeat	190/836.6	GPRS 4Tx	1.026	-2.71	1.096	1.124	/
Back Upward Repeat	251/848.8	GPRS 4Tx	1.081	-0.23	1.042	1.126	/
Face Upward	128/824.2	GPRS 4Tx	0.712	1.98	1.119	0.797	/
Face Upward	190/836.6	GPRS 4Tx	0.754	-1.45	1.096	0.826	/
Face Upward	251/848.8	GPRS 4Tx	0.799	-4.16	1.042	0.833	/



Hotspot(10mm)	Channel /Frequency	Mode	SAR Value (W/kg)1-g	Power drift(%)	Scaled Factor	Scaled SAR (W/Kg)1-g	SAR Plot.
Back Upward	128/824.2	GPRS 4Tx	1.039	-1.59	1.119	1.163	/
Back Upward	190/836.6	GPRS 4Tx	1.068	-2.67	1.096	1.171	/
Back Upward	251/848.8	GPRS 4Tx	1.132	-0.50	1.042	1.180	Yes
Back Upward Repeat	128/824.2	GPRS 4Tx	0.991	-1.67	1.119	1.109	/
Back Upward Repeat	190/836.6	GPRS 4Tx	1.026	-2.71	1.096	1.124	/
Back Upward Repeat	251/848.8	GPRS 4Tx	1.081	-0.23	1.042	1.126	/
Face Upward	128/824.2	GPRS 4Tx	0.712	1.98	1.119	0.797	/
Face Upward	190/836.6	GPRS 4Tx	0.754	-1.45	1.096	0.826	/
Face Upward	251/848.8	GPRS 4Tx	0.799	-4.16	1.042	0.833	/
Edge B	128/824.2	GPRS 4Tx	0.856	-1.87	1.119	0.958	/
Edge B	190/836.6	GPRS 4Tx	0.874	-2.67	1.096	0.958	/
Edge B	251/848.8	GPRS 4Tx	0.927	-2.45	1.042	0.966	/
Edge B Repeat	128/824.2	GPRS 4Tx	0.816	-3.92	1.119	0.913	/
Edge B Repeat	190/836.6	GPRS 4Tx	0.845	-4.22	1.096	0.926	/
Edge B Repeat	251/848.8	GPRS 4Tx	0.893	-1.58	1.042	0.931	/
Edge C	251/848.8	GPRS 4Tx	0.526	-2.14	1.042	0.548	/
Edge D	251/848.8	GPRS 4Tx	0.752	-3.24	1.042	0.784	/

Results overview of GSM1900

Test Position of Head	Channel /Frequency	Mode	SAR Value (W/kg)1-g	Power drift(%)	Scaled Factor	Scaled SAR (W/Kg)1-g	SAR Plot.
Left Cheek	661/1880.0	Voice	0.110	-2.54	1.040	0.114	Yes
Left Tilt 15°	661/1880.0	Voice	0.086	3.60	1.040	0.089	/
Right Cheek	661/1880.0	Voice	0.045	-1.37	1.040	0.047	/
Right Tilt 15°	661/1880.0	Voice	0.044	-1.24	1.040	0.046	/
Body-worn(10mm)	Channel /Frequency	Mode	SAR Value (W/kg)1-g	Power drift(%)	Scaled Factor	Scaled SAR (W/Kg)1-g	SAR Plot.
Back Upward	512/1850.2	GPRS 4Tx	1.082	-2.84	1.089	1.178	/
Back Upward	661/1880.0	GPRS 4Tx	1.141	4.97	1.038	1.184	Yes
Back Upward	810/1909.8	GPRS 4Tx	1.113	-1.97	1.057	1.176	/
Back Upward Repeat	512/1850.2	GPRS 4Tx	1.026	-3.44	1.089	1.117	/
Back Upward Repeat	661/1880.0	GPRS 4Tx	1.120	-2.89	1.038	1.162	/
Back Upward Repeat	810/1909.8	GPRS 4Tx	1.085	-3.33	1.057	1.147	/
Face Upward	661/1880.0	GPRS 4Tx	0.448	1.03	1.038	0.465	/
Hotspot(10mm)	Channel /Frequency	Mode	SAR Value (W/kg)1-g	Power drift(%)	Scaled Factor	Scaled SAR (W/Kg)1-g	SAR Plot.
Back Upward	512/1850.2	GPRS 4Tx	1.082	-2.84	1.089	1.178	/
Back Upward	661/1880.0	GPRS 4Tx	1.141	4.97	1.038	1.184	Yes
Back Upward	810/1909.8	GPRS 4Tx	1.113	-1.97	1.057	1.176	/
Back Upward Repeat	512/1850.2	GPRS 4Tx	1.026	-3.44	1.089	1.117	/
Back Upward Repeat	661/1880.0	GPRS 4Tx	1.120	-2.89	1.038	1.162	/
Back Upward Repeat	810/1909.8	GPRS 4Tx	1.085	-3.33	1.057	1.147	/
Face Upward	661/1880.0	GPRS 4Tx	0.448	1.03	1.038	0.465	/
Edge B	661/1880.0	GPRS 4Tx	0.087	1.00	1.038	0.090	/
Edge C	661/1880.0	GPRS 4Tx	0.551	-3.85	1.038	0.572	/
Edge D	661/1880.0	GPRS 4Tx	0.180	1.81	1.038	0.187	/

Results overview of WCDMA850

Test Position of Head	Channel /Frequency	Mode	SAR Value (W/kg)1-g	Power drift(%)	Scaled Factor	Scaled SAR (W/Kg)1-g	SAR Plot.
Left Cheek	4183/836.6	RMC	0.298	-4.45	1.019	0.304	/
Left Tilt 15°	4183/836.6	RMC	0.254	-4.42	1.019	0.259	/
Right Cheek	4183/836.6	RMC	0.356	-1.26	1.019	0.363	Yes
Right Tilt 15°	4183/836.6	RMC	0.280	-3.68	1.019	0.285	/
Body-worn(10mm)	Channel /Frequency	Mode	SAR Value (W/kg)1-g	Power drift(%)	Scaled Factor	Scaled SAR (W/Kg)1-g	SAR Plot.
Back Upward	4183/836.6	RMC	0.745	4.48	1.019	0.759	Yes
Face Upward	4183/836.6	RMC	0.222	-0.12	1.019	0.226	/
Hotspot(10mm)	Channel /Frequency	Mode	SAR Value (W/kg)1-g	Power drift(%)	Scaled Factor	Scaled SAR (W/Kg)1-g	SAR Plot.
Back Upward	4183/836.6	RMC	0.745	4.48	1.019	0.759	Yes
Face Upward	4183/836.6	RMC	0.222	-0.12	1.019	0.226	/
Edge B	4183/836.6	RMC	0.263	-3.04	1.019	0.268	/
Edge C	4183/836.6	RMC	0.050	-2.06	1.019	0.051	/
Edge D	4183/836.6	RMC	0.205	-4.38	1.019	0.209	/

Results overview of WCDMA1900

Test Position of Head	Channel /Frequency	Mode	SAR Value (W/kg)1-g	Power drift(%)	Scaled Factor	Scaled SAR (W/Kg)1-g	SAR Plot.
Left Cheek	9400/1880.0	RMC	0.185	3.27	1.012	0.187	Yes
Left Tilt 15°	9400/1880.0	RMC	0.147	4.86	1.012	0.149	/
Right Cheek	9400/1880.0	RMC	0.117	-3.45	1.012	0.118	/
Right Tilt 15°	9400/1880.0	RMC	0.091	-1.42	1.012	0.092	/
Body-worn(10mm)	Channel /Frequency	Mode	SAR Value (W/kg)1-g	Power drift(%)	Scaled Factor	Scaled SAR (W/Kg)1-g	SAR Plot.
Back Upward	9262/1852.4	RMC	1.161	-0.89	1.012	1.174	Yes
Back Upward	9400/1880.0	RMC	1.110	-2.44	1.054	1.170	/
Back Upward	9538/1907.6	RMC	1.138	-0.53	1.019	1.159	/
Back Upward Repeat	9262/1852.4	RMC	1.128	-2.88	1.012	1.141	/
Back Upward Repeat	9400/1880.0	RMC	1.054	-1.97	1.054	1.111	/
Back Upward Repeat	9538/1907.6	RMC	1.102	-3.23	1.019	1.122	/
Face Upward	9400/1880.0	RMC	0.600	-3.66	1.012	0.607	/
Hotspot(10mm)	Channel /Frequency	Mode	SAR Value (W/kg)1-g	Power drift(%)	Scaled Factor	Scaled SAR (W/Kg)1-g	SAR Plot.
Back Upward	9262/1852.4	RMC	1.161	-0.89	1.012	1.174	Yes
Back Upward	9400/1880.0	RMC	1.110	-2.44	1.054	1.170	/
Back Upward	9538/1907.6	RMC	1.138	-0.53	1.019	1.159	/
Back Upward Repeat	9262/1852.4	RMC	1.128	-2.88	1.012	1.141	/
Back Upward Repeat	9400/1880.0	RMC	1.054	-1.97	1.054	1.111	/
Back Upward Repeat	9538/1907.6	RMC	1.102	-3.23	1.019	1.122	/
Face Upward	9400/1880.0	RMC	0.600	-3.66	1.012	0.607	/
Edge B	9400/1880.0	RMC	0.125	2.48	1.012	0.126	/
Edge C	9400/1880.0	RMC	0.779	-4.52	1.012	0.788	/
Edge D	9400/1880.0	RMC	0.279	3.15	1.012	0.282	/



Results overview of FDD LTE Band 2, QPSK, 20MHz Bandwidth

Test Position of Head	Channel /Frequency	Mode	SAR Value (W/kg)1-g	Power drift(%)	Scaled Factor	Scaled SAR (W/Kg)1-g	SAR Plot.
1RB#0							
Left Cheek	18900/1880	Data	0.180	3.730	1.016	0.183	Yes
Left Tilt 15°	18900/1880	Data	0.158	3.810	1.016	0.161	/
Right Cheek	18900/1880	Data	0.164	-1.620	1.016	0.167	/
Right Tilt 15°	18900/1880	Data	0.074	-1.530	1.016	0.075	/
50%RB#0							
Left Cheek	18900/1880	Data	0.168	-0.370	1.005	0.169	/
Left Tilt 15°	18900/1880	Data	0.135	-2.640	1.005	0.136	/
Right Cheek	18900/1880	Data	0.152	-2.810	1.005	0.153	/
Right Tilt 15°	18900/1880	Data	0.059	-1.590	1.005	0.059	/
Body-worn(10mm)	Channel /Frequency	Mode	SAR Value (W/kg)1-g	Power drift(%)	Scaled Factor	Scaled SAR (W/Kg)1-g	SAR Plot.
1RB#0							
Back Upward	18700/1860	Data	1.065	1.220	1.096	1.168	/
Back Upward	18900/1880	Data	1.161	0.800	1.016	1.180	Yes
Back Upward	19100/1900	Data	1.088	0.540	1.081	1.177	/
Back Upward Repeat	18700/1860	Data	1.026	-1.990	1.096	1.125	/
Back Upward Repeat	18900/1880	Data	1.133	-3.780	1.016	1.151	/
Back Upward Repeat	19100/1900	Data	1.055	-2.110	1.081	1.141	/
Face Upward	18900/1880	Data	0.653	-3.490	1.016	0.664	/
50%RB#0							
Back Upward	18700/1860	Data	1.008	-1.850	1.054	1.062	/
Back Upward	18900/1880	Data	1.081	-2.070	1.005	1.086	/
Back Upward	19100/1900	Data	1.033	0.560	1.030	1.064	/
Back Upward Repeat	18700/1860	Data	0.972	-3.510	1.054	1.024	/
Back Upward Repeat	18900/1880	Data	1.022	-4.290	1.005	1.027	/
Back Upward Repeat	19100/1900	Data	0.994	-1.550	1.030	1.024	/
Face Upward	18900/1880	Data	0.603	-3.510	1.005	0.606	/



Hotspot(10mm)	Channel /Frequency	Mode	SAR Value (W/kg)1-g	Power drift(%)	Scaled Factor	Scaled SAR (W/Kg)1-g	SAR Plot.
1RB#0							
Back Upward	18700/1860	Data	1.065	1.220	1.096	1.168	/
Back Upward	18900/1880	Data	1.161	0.800	1.016	1.180	Yes
Back Upward	19100/1900	Data	1.088	0.540	1.081	1.177	/
Back Upward Repeat	18700/1860	Data	1.026	-1.990	1.096	1.125	/
Back Upward Repeat	18900/1880	Data	1.133	-3.780	1.016	1.151	/
Back Upward Repeat	19100/1900	Data	1.055	-2.110	1.081	1.141	/
Face Upward	18900/1880	Data	0.653	-3.490	1.016	0.664	/
Edge B	18900/1880	Data	0.106	2.020	1.016	0.108	/
Edge C	18900/1880	Data	0.733	-2.880	1.016	0.745	/
Edge D	18900/1880	Data	0.250	-2.250	1.016	0.254	/
50%RB#0							
Back Upward	18700/1860	Data	1.008	-1.850	1.054	1.062	/
Back Upward	18900/1880	Data	1.081	-2.070	1.005	1.086	/
Back Upward	19100/1900	Data	1.033	0.560	1.030	1.064	/
Back Upward Repeat	18700/1860	Data	0.972	-3.510	1.054	1.024	/
Back Upward Repeat	18900/1880	Data	1.022	-4.290	1.005	1.027	/
Back Upward Repeat	19100/1900	Data	0.994	-1.550	1.030	1.024	/
Face Upward	18900/1880	Data	0.603	-3.510	1.005	0.606	/
Edge B	18900/1880	Data	0.085	-2.710	1.005	0.085	/
Edge C	18900/1880	Data	0.698	-4.680	1.005	0.701	/
Edge D	18900/1880	Data	0.221	-4.250	1.005	0.222	/



Results overview of FDD LTE Band 4, QPSK, 20MHz Bandwidth

Test Position of Head	Channel /Frequency	Mode	SAR Value (W/kg)1-g	Power drift(%)	Scaled Factor	Scaled SAR (W/Kg)1-g	SAR Plot.
1RB#0							
Left Cheek	20175/1732.5	Data	0.218	1.040	1.002	0.219	Yes
Left Tilt 15°	20175/1732.5	Data	0.169	0.280	1.002	0.169	/
Right Cheek	20175/1732.5	Data	0.176	-3.370	1.002	0.176	/
Right Tilt 15°	20175/1732.5	Data	0.086	-1.170	1.002	0.086	/
50%RB#0							
Left Cheek	20175/1732.5	Data	0.187	-3.980	1.009	0.189	/
Left Tilt 15°	20175/1732.5	Data	0.135	-2.870	1.009	0.136	/
Right Cheek	20175/1732.5	Data	0.146	-1.330	1.009	0.147	/
Right Tilt 15°	20175/1732.5	Data	0.073	-0.880	1.009	0.074	/
Body-worn(10mm)	Channel /Frequency	Mode	SAR Value (W/kg)1-g	Power drift(%)	Scaled Factor	Scaled SAR (W/Kg)1-g	SAR Plot.
1RB#0							
Back Upward	20175/1732.5	Data	0.790	-3.150	1.002	0.792	Yes
Face Upward	20175/1732.5	Data	0.349	-1.650	1.002	0.350	/
50%RB#0							
Back Upward	20175/1732.5	Data	0.755	-2.970	1.009	0.762	/
Face Upward	20175/1732.5	Data	0.310	-3.790	1.009	0.313	/
Hotspot(10mm)	Channel /Frequency	Mode	SAR Value (W/kg)1-g	Power drift(%)	Scaled Factor	Scaled SAR (W/Kg)1-g	SAR Plot.
1RB#0							
Back Upward	20175/1732.5	Data	0.790	-3.150	1.002	0.792	Yes
Face Upward	20175/1732.5	Data	0.349	-1.650	1.002	0.350	/
Edge B	20175/1732.5	Data	0.121	-2.450	1.002	0.121	/
Edge C	20175/1732.5	Data	0.510	-2.920	1.002	0.511	/
Edge D	20175/1732.5	Data	0.228	-3.460	1.002	0.229	/
50%RB#0							
Back Upward	20175/1732.5	Data	0.755	-2.970	1.009	0.762	/
Face Upward	20175/1732.5	Data	0.310	-3.790	1.009	0.313	/
Edge B	20175/1732.5	Data	0.097	-4.410	1.009	0.098	/
Edge C	20175/1732.5	Data	0.482	-0.880	1.009	0.486	/
Edge D	20175/1732.5	Data	0.203	1.240	1.009	0.205	/



Results overview of FDD LTE Band 5, QPSK, 10MHz Bandwidth

Test Position of Head	Channel /Frequency	Mode	SAR Value (W/kg)1-g	Power drift(%)	Scaled Factor	Scaled SAR (W/Kg)1-g	SAR Plot.
1RB#0							
Left Cheek	20525/836.5	Data	0.318	-3.850	1.021	0.325	/
Left Tilt 15°	20525/836.5	Data	0.284	-1.010	1.021	0.290	/
Right Cheek	20525/836.5	Data	0.400	-3.500	1.021	0.408	Yes
Right Tilt 15°	20525/836.5	Data	0.260	-4.350	1.021	0.265	/
50%RB#0							
Left Cheek	20525/836.5	Data	0.288	-1.840	1.007	0.290	/
Left Tilt 15°	20525/836.5	Data	0.243	-2.330	1.007	0.245	/
Right Cheek	20525/836.5	Data	0.374	-1.520	1.007	0.377	/
Right Tilt 15°	20525/836.5	Data	0.213	-0.740	1.007	0.214	/
Body-worn(10mm)	Channel /Frequency	Mode	SAR Value (W/kg)1-g	Power drift(%)	Scaled Factor	Scaled SAR (W/Kg)1-g	SAR Plot.
1RB#0							
Back Upward	20525/836.5	Data	0.603	-2.880	1.021	0.616	Yes
Face Upward	20525/836.5	Data	0.309	4.930	1.021	0.315	/
50%RB#0							
Back Upward	20525/836.5	Data	0.568	-1.550	1.007	0.572	/
Face Upward	20525/836.5	Data	0.254	-2.970	1.007	0.256	/
Hotspot(10mm)	Channel /Frequency	Mode	SAR Value (W/kg)1-g	Power drift(%)	Scaled Factor	Scaled SAR (W/Kg)1-g	SAR Plot.
1RB#0							
Back Upward	20525/836.5	Data	0.603	-2.880	1.021	0.616	Yes
Face Upward	20525/836.5	Data	0.309	4.930	1.021	0.315	/
Edge B	20525/836.5	Data	0.272	-2.990	1.021	0.278	/
Edge C	20525/836.5	Data	0.161	2.000	1.021	0.164	/
Edge D	20525/836.5	Data	0.392	-3.190	1.021	0.400	/
50%RB#0							
Back Upward	20525/836.5	Data	0.568	-1.550	1.007	0.572	/
Face Upward	20525/836.5	Data	0.254	-2.970	1.007	0.256	/
Edge B	20525/836.5	Data	0.230	-3.340	1.007	0.232	/
Edge C	20525/836.5	Data	0.129	-3.750	1.007	0.130	/
Edge D	20525/836.5	Data	0.361	-4.960	1.007	0.364	/



Results overview of FDD LTE Band 7, QPSK, 20MHz Bandwidth

Test Position of Head	Channel /Frequency	Mode	SAR Value (W/kg)1-g	Power drift(%)	Scaled Factor	Scaled SAR (W/Kg)1-g	SAR Plot.
1RB#0							
Left Cheek	21100/2535	Data	0.048	-4.030	1.009	0.048	Yes
Left Tilt 15°	21100/2535	Data	0.030	-3.980	1.009	0.030	/
Right Cheek	21100/2535	Data	0.028	-4.620	1.009	0.028	/
Right Tilt 15°	21100/2535	Data	0.019	-4.110	1.009	0.019	/
50%RB#0							
Left Cheek	21100/2535	Data	0.040	-1.590	1.002	0.040	/
Left Tilt 15°	21100/2535	Data	0.025	-2.440	1.002	0.025	/
Right Cheek	21100/2535	Data	0.022	-1.270	1.002	0.022	/
Right Tilt 15°	21100/2535	Data	0.014	-3.060	1.002	0.014	/
Body-worn(10mm)	Channel /Frequency	Mode	SAR Value (W/kg)1-g	Power drift(%)	Scaled Factor	Scaled SAR (W/Kg)1-g	SAR Plot.
1RB#0							
Back Upward	21100/2535	Data	0.459	2.220	1.009	0.463	Yes
Face Upward	21100/2535	Data	0.198	-4.910	1.009	0.200	/
50%RB#0							
Back Upward	21100/2535	Data	0.421	-4.500	1.002	0.422	/
Face Upward	21100/2535	Data	0.164	-4.210	1.002	0.164	/
Hotspot(10mm)	Channel /Frequency	Mode	SAR Value (W/kg)1-g	Power drift(%)	Scaled Factor	Scaled SAR (W/Kg)1-g	SAR Plot.
1RB#0							
Back Upward	21100/2535	Data	0.459	2.220	1.009	0.463	/
Face Upward	21100/2535	Data	0.198	-4.910	1.009	0.200	/
Edge B	21100/2535	Data	0.126	-1.340	1.009	0.127	/
Edge C	21100/2535	Data	0.562	1.480	1.009	0.567	Yes
Edge D	21100/2535	Data	0.078	0.480	1.009	0.079	/
50%RB#0							
Back Upward	21100/2535	Data	0.421	-4.500	1.002	0.422	/
Face Upward	21100/2535	Data	0.164	-4.210	1.002	0.164	/
Edge B	21100/2535	Data	0.096	-2.950	1.002	0.096	/
Edge C	21100/2535	Data	0.521	-3.610	1.002	0.522	/
Edge D	21100/2535	Data	0.062	-1.230	1.002	0.062	/



Results overview of FDD LTE Band 12, QPSK, 10MHz Bandwidth

Test Position of Head	Channel /Frequency	Mode	SAR Value (W/kg)1-g	Power drift(%)	Scaled Factor	Scaled SAR (W/Kg)1-g	SAR Plot.
1RB#0							
Left Cheek	23095/707.5	Data	0.026	-4.180	1.012	0.026	/
Left Tilt 15°	23095/707.5	Data	0.021	0.220	1.012	0.021	/
Right Cheek	23095/707.5	Data	0.041	4.650	1.012	0.041	Yes
Right Tilt 15°	23095/707.5	Data	0.032	-1.640	1.012	0.032	/
50%RB#0							
Left Cheek	23095/707.5	Data	0.022	-3.310	1.000	0.022	/
Left Tilt 15°	23095/707.5	Data	0.016	-4.610	1.000	0.016	/
Right Cheek	23095/707.5	Data	0.034	-2.590	1.000	0.034	/
Right Tilt 15°	23095/707.5	Data	0.025	-4.450	1.000	0.025	/
Body-worn(10mm)	Channel /Frequency	Mode	SAR Value (W/kg)1-g	Power drift(%)	Scaled Factor	Scaled SAR (W/Kg)1-g	SAR Plot.
1RB#0							
Back Upward	23095/707.5	Data	0.137	4.530	1.012	0.139	Yes
Face Upward	23095/707.5	Data	0.029	3.160	1.012	0.029	/
50%RB#0							
Back Upward	23095/707.5	Data	0.106	-1.570	1.000	0.106	/
Face Upward	23095/707.5	Data	0.021	-0.480	1.000	0.021	/
Hotspot(10mm)	Channel /Frequency	Mode	SAR Value (W/kg)1-g	Power drift(%)	Scaled Factor	Scaled SAR (W/Kg)1-g	SAR Plot.
1RB#0							
Back Upward	23095/707.5	Data	0.137	4.530	1.012	0.139	Yes
Face Upward	23095/707.5	Data	0.029	3.160	1.012	0.029	/
Edge B	23095/707.5	Data	0.048	3.180	1.012	0.049	/
Edge C	23095/707.5	Data	0.014	-4.100	1.012	0.014	/
Edge D	23095/707.5	Data	0.047	4.210	1.012	0.048	/
50%RB#0							
Back Upward	23095/707.5	Data	0.106	-1.570	1.000	0.106	/
Face Upward	23095/707.5	Data	0.021	-0.480	1.000	0.021	/
Edge B	23095/707.5	Data	0.040	-3.780	1.000	0.040	/
Edge C	23095/707.5	Data	0.011	-2.490	1.000	0.011	/
Edge D	23095/707.5	Data	0.039	-3.330	1.000	0.039	/



Results overview of FDD LTE Band 17, QPSK, 10MHz Bandwidth

Test Position of Head	Channel /Frequency	Mode	SAR Value (W/kg)1-g	Power drift(%)	Scaled Factor	Scaled SAR (W/Kg)1-g	SAR Plot.
1RB#0							
Left Cheek	23790/710	Data	0.025	-4.950	1.019	0.025	/
Left Tilt 15°	23790/710	Data	0.018	-2.670	1.019	0.018	/
Right Cheek	23790/710	Data	0.035	-4.320	1.019	0.036	Yes
Right Tilt 15°	23790/710	Data	0.026	-1.650	1.019	0.026	/
50%RB#0							
Left Cheek	23790/710	Data	0.018	-1.980	1.002	0.018	/
Left Tilt 15°	23790/710	Data	0.013	-2.470	1.002	0.013	/
Right Cheek	23790/710	Data	0.027	-3.660	1.002	0.027	/
Right Tilt 15°	23790/710	Data	0.020	-4.410	1.002	0.020	/
Body-worn(10mm)	Channel /Frequency	Mode	SAR Value (W/kg)1-g	Power drift(%)	Scaled Factor	Scaled SAR (W/Kg)1-g	SAR Plot.
1RB#0							
Back Upward	23790/710	Data	0.108	-0.360	1.019	0.110	Yes
Face Upward	23790/710	Data	0.022	1.320	1.019	0.022	/
50%RB#0							
Back Upward	23790/710	Data	0.091	-4.120	1.002	0.091	/
Face Upward	23790/710	Data	0.014	-3.230	1.002	0.014	/
Hotspot(10mm)	Channel /Frequency	Mode	SAR Value (W/kg)1-g	Power drift(%)	Scaled Factor	Scaled SAR (W/Kg)1-g	SAR Plot.
1RB#0							
Back Upward	23790/710	Data	0.108	-0.360	1.019	0.110	Yes
Face Upward	23790/710	Data	0.022	1.320	1.019	0.022	/
Edge B	23790/710	Data	0.036	-2.360	1.019	0.037	/
Edge C	23790/710	Data	0.015	-3.520	1.019	0.015	/
Edge D	23790/710	Data	0.030	3.660	1.019	0.031	/
50%RB#0							
Back Upward	23790/710	Data	0.091	-4.120	1.002	0.091	/
Face Upward	23790/710	Data	0.014	-3.230	1.002	0.014	/
Edge B	23790/710	Data	0.030	-2.940	1.002	0.030	/
Edge C	23790/710	Data	0.011	-1.260	1.002	0.011	/
Edge D	23790/710	Data	0.023	-0.550	1.002	0.023	/



Results overview of FDD LTE Band 25, QPSK, 20MHz Bandwidth

Test Position of Head	Channel /Frequency	Mode	SAR Value (W/kg)1-g	Power drift(%)	Scaled Factor	Scaled SAR (W/Kg)1-g	SAR Plot.
1RB#0							
Left Cheek	26590/1905	Data	0.079	-1.220	1.042	0.082	Yes
Left Tilt 15°	26590/1905	Data	0.063	4.380	1.042	0.066	/
Right Cheek	26590/1905	Data	0.057	-4.670	1.042	0.059	/
Right Tilt 15°	26590/1905	Data	0.047	-4.940	1.042	0.049	/
50%RB#0							
Left Cheek	26590/1905	Data	0.071	0.840	1.033	0.073	/
Left Tilt 15°	26590/1905	Data	0.055	-1.050	1.033	0.057	/
Right Cheek	26590/1905	Data	0.048	-2.670	1.033	0.050	/
Right Tilt 15°	26590/1905	Data	0.040	-3.420	1.033	0.041	/
Body-worn(10mm)	Channel /Frequency	Mode	SAR Value (W/kg)1-g	Power drift(%)	Scaled Factor	Scaled SAR (W/Kg)1-g	SAR Plot.
1RB#0							
Back Upward	26590/1905	Data	0.720	-1.010	1.042	0.750	Yes
Face Upward	26590/1905	Data	0.362	-4.060	1.042	0.377	/
50%RB#0							
Back Upward	26590/1905	Data	0.692	-4.210	1.033	0.715	/
Face Upward	26590/1905	Data	0.325	-3.740	1.033	0.336	/
Hotspot(10mm)	Channel /Frequency	Mode	SAR Value (W/kg)1-g	Power drift(%)	Scaled Factor	Scaled SAR (W/Kg)1-g	SAR Plot.
1RB#0							
Back Upward	26590/1905	Data	0.720	-1.010	1.042	0.750	Yes
Face Upward	26590/1905	Data	0.362	-4.060	1.042	0.377	/
Edge B	26590/1905	Data	0.048	1.000	1.042	0.050	/
Edge C	26590/1905	Data	0.456	-2.270	1.042	0.475	/
Edge D	26590/1905	Data	0.147	2.170	1.042	0.153	/
50%RB#0							
Back Upward	26590/1905	Data	0.692	-4.210	1.033	0.715	/
Face Upward	26590/1905	Data	0.325	-3.740	1.033	0.336	/
Edge B	26590/1905	Data	0.040	-2.520	1.033	0.041	/
Edge C	26590/1905	Data	0.421	-1.670	1.033	0.435	/
Edge D	26590/1905	Data	0.110	-2.490	1.033	0.114	/



Results overview of FDD LTE Band 41, QPSK, 20MHz Bandwidth

Test Position of Head	Channel /Frequency	Mode	SAR Value (W/kg)1-g	Power drift(%)	Scaled Factor	Scaled SAR (W/Kg)1-g	SAR Plot.
1RB#0							
Left Cheek	40620/2593	Data	0.092	4.050	1.081	0.099	Yes
Left Tilt 15°	40620/2593	Data	0.078	-1.890	1.081	0.084	/
Right Cheek	40620/2593	Data	0.023	-3.550	1.081	0.025	/
Right Tilt 15°	40620/2593	Data	0.019	-3.440	1.081	0.021	/
50%RB#0							
Left Cheek	40620/2593	Data	0.081	-1.590	1.059	0.086	/
Left Tilt 15°	40620/2593	Data	0.065	-2.940	1.059	0.069	/
Right Cheek	40620/2593	Data	0.020	3.060	1.059	0.021	/
Right Tilt 15°	40620/2593	Data	0.015	1.550	1.059	0.016	/
Body-worn(10mm)	Channel /Frequency	Mode	SAR Value (W/kg)1-g	Power drift(%)	Scaled Factor	Scaled SAR (W/Kg)1-g	SAR Plot.
1RB#0							
Back Upward	40620/2593	Data	0.306	-0.760	1.081	0.331	Yes
Face Upward	40620/2593	Data	0.133	-2.420	1.081	0.144	/
50%RB#0							
Back Upward	40620/2593	Data	0.288	0.590	1.059	0.305	/
Face Upward	40620/2593	Data	0.105	1.540	1.059	0.111	/
Hotspot(10mm)	Channel /Frequency	Mode	SAR Value (W/kg)1-g	Power drift(%)	Scaled Factor	Scaled SAR (W/Kg)1-g	SAR Plot.
1RB#0							
Back Upward	40620/2593	Data	0.306	-0.760	1.081	0.331	/
Face Upward	40620/2593	Data	0.133	-2.420	1.081	0.144	/
Edge B	40620/2593	Data	0.084	-4.600	1.081	0.091	/
Edge C	40620/2593	Data	0.455	-2.830	1.081	0.492	Yes
Edge D	40620/2593	Data	0.065	2.330	1.081	0.070	/
50%RB#0							
Back Upward	40620/2593	Data	0.288	0.590	1.059	0.305	/
Face Upward	40620/2593	Data	0.105	1.540	1.059	0.111	/
Edge B	40620/2593	Data	0.072	-0.540	1.059	0.076	/
Edge C	40620/2593	Data	0.418	3.570	1.059	0.443	/
Edge D	40620/2593	Data	0.052	4.510	1.059	0.055	/



Results overview of FDD LTE Band 66, QPSK, 20MHz Bandwidth

Test Position of Head	Channel /Frequency	Mode	SAR Value (W/kg)1-g	Power drift(%)	Scaled Factor	Scaled SAR (W/Kg)1-g	SAR Plot.
1RB#0							
Left Cheek	132322/1745	Data	0.103	-4.530	1.045	0.108	Yes
Left Tilt 15°	132322/1745	Data	0.055	-4.540	1.045	0.057	/
Right Cheek	132322/1745	Data	0.054	-4.450	1.045	0.056	/
Right Tilt 15°	132322/1745	Data	0.040	-1.570	1.045	0.042	/
50%RB#0							
Left Cheek	132322/1745	Data	0.084	-2.110	1.012	0.085	/
Left Tilt 15°	132322/1745	Data	0.040	0.580	1.012	0.040	/
Right Cheek	132322/1745	Data	0.038	-1.690	1.012	0.038	/
Right Tilt 15°	132322/1745	Data	0.027	1.480	1.012	0.027	/
Body-worn(10mm)	Channel /Frequency	Mode	SAR Value (W/kg)1-g	Power drift(%)	Scaled Factor	Scaled SAR (W/Kg)1-g	SAR Plot.
1RB#0							
Back Upward	132322/1745	Data	0.664	-1.230	1.045	0.694	Yes
Face Upward	132322/1745	Data	0.339	-1.250	1.045	0.354	/
50%RB#0							
Back Upward	132322/1745	Data	0.622	2.640	1.012	0.629	/
Face Upward	132322/1745	Data	0.301	-3.670	1.012	0.304	/
Hotspot(10mm)	Channel /Frequency	Mode	SAR Value (W/kg)1-g	Power drift(%)	Scaled Factor	Scaled SAR (W/Kg)1-g	SAR Plot.
1RB#0							
Back Upward	132322/1745	Data	0.664	-1.230	1.045	0.694	Yes
Face Upward	132322/1745	Data	0.339	-1.250	1.045	0.354	/
Edge B	132322/1745	Data	0.049	0.090	1.045	0.051	/
Edge C	132322/1745	Data	0.366	-4.430	1.045	0.382	/
Edge D	132322/1745	Data	0.104	-1.620	1.045	0.109	/
50%RB#0							
Back Upward	132322/1745	Data	0.622	2.640	1.012	0.629	/
Face Upward	132322/1745	Data	0.301	-3.670	1.012	0.304	/
Edge B	132322/1745	Data	0.033	-4.580	1.012	0.033	/
Edge C	132322/1745	Data	0.328	4.210	1.012	0.332	/
Edge D	132322/1745	Data	0.082	3.000	1.012	0.083	/

Results overview of WIFI2.4G 802.11b

Test Position of Head	Channel /Frequency	Mode	SAR Value (W/kg)1-g	Power drift(%)	Scaled Factor	Scaled SAR (W/Kg)1-g	SAR Plot.
Left Cheek	6/2437	DSSS	0.055	1.00	1.211	0.067	/
Left Tilt 15°	6/2437	DSSS	0.042	-3.26	1.211	0.051	/
Right Cheek	6/2437	DSSS	0.127	-4.98	1.211	0.154	Yes
Right Tilt 15°	6/2437	DSSS	0.088	-2.54	1.211	0.107	/
Body-worn(10mm)	Channel /Frequency	Mode	SAR Value (W/kg)1-g	Power drift(%)	Scaled Factor	Scaled SAR (W/Kg)1-g	SAR Plot.
Back Upward	6/2437	DSSS	0.025	1.02	1.211	0.030	/
Face Upward	6/2437	DSSS	0.047	-1.16	1.211	0.057	Yes
Hotspot(10mm)	Channel /Frequency	Mode	SAR Value (W/kg)1-g	Power drift(%)	Scaled Factor	Scaled SAR (W/Kg)1-g	SAR Plot.
Back Upward	6/2437	DSSS	0.025	1.02	1.211	0.030	/
Face Upward	6/2437	DSSS	0.047	-1.16	1.211	0.057	/
Edge A	6/2437	DSSS	0.049	-2.81	1.211	0.059	/
Edge B	6/2437	DSSS	0.240	-3.88	1.211	0.291	Yes

Results overview of WIFI 5G 802.11a-5240

Test Position of Head	Channel /Frequency	Mode	SAR Value (W/kg)1-g	Power drift(%)	Scaled Factor	Scaled SAR (W/Kg)1-g	SAR Plot.
Left Cheek	48/5240	OFDM	0.034	-4.220	1.057	0.036	/
Left Tilt 15°	48/5240	OFDM	0.031	-3.220	1.057	0.033	/
Right Cheek	48/5240	OFDM	0.038	-2.180	1.057	0.040	Yes
Right Tilt 15°	48/5240	OFDM	0.032	-1.050	1.057	0.034	/
Body-worn(10mm)	Channel /Frequency	Mode	SAR Value (W/kg)1-g	Power drift(%)	Scaled Factor	Scaled SAR (W/Kg)1-g	SAR Plot.
Face Upward	48/5240	OFDM	0.138	-0.540	1.057	0.146	Yes
Back Upward	48/5240	OFDM	0.105	1.210	1.057	0.111	/

Results overview of WIFI 5G 802.11a-5320

Test Position of Head	Channel /Frequency	Mode	SAR Value (W/kg)1-g	Power drift(%)	Scaled Factor	Scaled SAR (W/Kg)1-g	SAR Plot.
Left Cheek	64/5320	OFDM	0.026	-2.670	1.064	0.028	/
Left Tilt 15°	64/5320	OFDM	0.023	-3.540	1.064	0.024	/
Right Cheek	64/5320	OFDM	0.030	-4.840	1.064	0.032	Yes
Right Tilt 15°	64/5320	OFDM	0.020	-2.610	1.064	0.021	/
Body-worn(10mm)	Channel /Frequency	Mode	SAR Value (W/kg)1-g	Power drift(%)	Scaled Factor	Scaled SAR (W/Kg)1-g	SAR Plot.
Face Upward	64/5320	OFDM	0.118	3.590	1.064	0.126	Yes
Back Upward	64/5320	OFDM	0.081	4.010	1.064	0.086	/

Results overview of WIFI 5G 802.11a-5600

Test Position of Head	Channel /Frequency	Mode	SAR Value (W/kg)1-g	Power drift(%)	Scaled Factor	Scaled SAR (W/Kg)1-g	SAR Plot.
Left Cheek	120/5600	OFDM	0.030	-2.050	1.062	0.032	/
Left Tilt 15°	120/5600	OFDM	0.027	1.480	1.062	0.029	/
Right Cheek	120/5600	OFDM	0.034	-4.310	1.062	0.036	Yes
Right Tilt 15°	120/5600	OFDM	0.024	-3.240	1.062	0.025	/
Body-worn(10mm)	Channel /Frequency	Mode	SAR Value (W/kg)1-g	Power drift(%)	Scaled Factor	Scaled SAR (W/Kg)1-g	SAR Plot.
Face Upward	120/5600	OFDM	0.125	-2.060	1.062	0.133	Yes
Back Upward	120/5600	OFDM	0.093	2.480	1.062	0.099	/

Results overview of WIFI 5G 802.11a-5825

Test Position of Head	Channel /Frequency	Mode	SAR Value (W/kg)1-g	Power drift(%)	Scaled Factor	Scaled SAR (W/Kg)1-g	SAR Plot.
Left Cheek	165/5825	OFDM	0.038	-1.540	1.042	0.040	/
Left Tilt 15°	165/5825	OFDM	0.033	-3.060	1.042	0.034	/
Right Cheek	165/5825	OFDM	0.042	-2.350	1.042	0.044	Yes
Right Tilt 15°	165/5825	OFDM	0.034	-1.570	1.042	0.035	/
Body-worn(10mm)	Channel /Frequency	Mode	SAR Value (W/kg)1-g	Power drift(%)	Scaled Factor	Scaled SAR (W/Kg)1-g	SAR Plot.
Face Upward	165/5825	OFDM	0.150	-3.910	1.042	0.156	Yes
Back Upward	165/5825	OFDM	0.118	-2.940	1.042	0.123	/

**Results overview of BC0**

Test Position of Head	Channel /Frequency	Mode	SAR Value (W/kg)1-g	Power drift(%)	Scaled Factor	Scaled SAR (W/Kg)1-g	SAR Plot.
Left Cheek	1013/824.7	1XRTT(RC1 SO55)	0.380	-3.05	1.035	0.393	/
Left Tilt 15°	1013/824.7	1XRTT(RC1 SO55)	0.324	-1.64	1.035	0.335	/
Right Cheek	1013/824.7	1XRTT(RC1 SO55)	0.407	-1.31	1.035	0.421	Yes
Right Tilt 15°	1013/824.7	1XRTT(RC1 SO55)	0.349	-1.48	1.035	0.361	/
Body-worn(10mm)	Channel /Frequency	Mode	SAR Value (W/kg)1-g	Power drift(%)	Scaled Factor	Scaled SAR (W/Kg)1-g	SAR Plot.
Back Upward	1013/824.7	1XRTT(RC3 SO32)	0.614	-4.03	1.081	0.664	Yes
Face Upward	1013/824.7	1XRTT(RC3 SO32)	0.276	1.14	1.081	0.298	/
Hotspot(10mm)	Channel /Frequency	Mode	SAR Value (W/kg)1-g	Power drift(%)	Scaled Factor	Scaled SAR (W/Kg)1-g	SAR Plot.
Back Upward	1013/824.7	1X EVDO(Rel.0)	0.614	-4.03	1.014	0.623	Yes
Face Upward	1013/824.7	1X EVDO(Rel.0)	0.276	1.14	1.014	0.280	/
Edge B	1013/824.7	1X EVDO(Rel.0)	0.353	-3.54	1.014	0.358	/
Edge C	1013/824.7	1X EVDO(Rel.0)	0.185	-1.46	1.014	0.188	/
Edge D	1013/824.7	1X EVDO(Rel.0)	0.269	-3.74	1.014	0.273	/

Note:

Per KDB941225 D06 v02r01, When the antenna-to-edge distance is greater than 2.5cm, such position does not need to be tested. As the manufacture requirement the separation distance use 5mm for Hotspot mode.

Per KDB Publication 941225 D01v03r01. RMC 12.2kbps was as primary mode SAR, when the primary mode SAR less than 1.2W/kg, secondary SAR (HSPA) was not requires.

When the 1-g SAR for the mid-band channel or the channel with the highest output power satisfy the following conditions, testing of the other channels in the band is not required. (Per KDB 447498 D01 General RF Exposure Guidance v06)

- ≤ 0.8 W/kg, when the transmission band is ≤ 100 MHz
- ≤ 0.6 W/kg, when the transmission band is between 100 MHz and 200 MHz
- ≤ 0.4 W/kg, when the transmission band is ≥ 200 MHz

11. Simultaneous Transmissions Analysis

Localized Specific Absorption Rate (SAR) of this portable wireless device has been measured in all cases requested by the relevant standards cited in Clause 6 of this report. Maximum localized SAR is **below** exposure limits specified in the relevant standards.

Simultaneous SAR

No.	Transmitter Combinations	Scenario Supported or not	Supported for Mobile Hotspot or not
1	GSM + BT	Yes	No
2	GSM + WIFI 2.4G	Yes	Yes
3	WCDMA +BT	Yes	No
4	WCDMA +WIFI2.4G	Yes	Yes
5	LTE+BT	Yes	No
6	LTE+WIFI2.4G	Yes	Yes
7	WIFI+BT	No	No
8	GSM/WCDMA/LTE+WIFI 5G	Yes	No

Simultaneous Tx Combination of GSM/WCDMA/LTE and BT/WIFI (Head)

Test Position		Left Cheek	Left Tilt	Right Cheek	Right Tilt
Head MAX 1-g SAR(W/Kg)	GSM850	0.322	0.298	0.344	0.293
	GSM1900	0.114	0.089	0.047	0.046
	WCDMA 850	0.304	0.259	0.363	0.285
	WCDMA 1900	0.187	0.149	0.118	0.092
	CDMA BC0	0.393	0.335	0.421	0.361
	LTE Band2	0.183	0.161	0.167	0.075
	LTE Band4	0.219	0.169	0.176	0.086
	LTE Band5	0.325	0.290	0.408	0.265
	LTE Band7	0.048	0.030	0.028	0.019
	LTE Band12	0.026	0.021	0.041	0.032
	LTE Band17	0.025	0.018	0.036	0.026
	LTE Band25	0.082	0.066	0.059	0.049
	LTE Band41	0.099	0.084	0.025	0.021
	LTE Band66	0.108	0.057	0.056	0.042
	2.4G WIFI 802.11b	0.067	0.051	0.154	0.107
	5G WIFI 802.11a	0.040	0.034	0.044	0.035
	BT	*0.263	*0.263	*0.263	*0.263
WIFI2.4G Simultaneous \sum 1-g SAR(W/Kg)		0.460	0.386	0.562	0.468
WIFI5G Simultaneous \sum 1-g SAR(W/Kg)		0.433	0.369	0.452	0.396
BT Simultaneous \sum 1-g SAR(W/Kg)		0.656	0.598	0.671	0.624



Simultaneous Tx Combination of GSM/WCDMA/LTE and BT/WIFI (Body).

Test Position		Face	Back	Edge A	Edge B	Edge C	Edge D
Body-worn 10mm separation MAX 1-g SAR(W/Kg)	GSM850	0.833	1.180	/	/	/	/
	GSM1900	0.465	1.184	/	/	/	/
	WCDMA 850	0.226	0.759	/	/	/	/
	WCDMA 1900	0.607	1.174	/	/	/	/
	CDMA BC0	0.298	0.664	/	/	/	/
	LTE Band2	0.664	1.180	/	/	/	/
	LTE Band4	0.350	0.792	/	/	/	/
	LTE Band5	0.315	0.616	/	/	/	/
	LTE Band7	0.200	0.463	/	/	/	/
	LTE Band12	0.029	0.139	/	/	/	/
	LTE Band17	0.022	0.110	/	/	/	/
	LTE Band25	0.377	0.750	/	/	/	/
	LTE Band41	0.144	0.331	/	/	/	/
	LTE Band66	0.354	0.694	/	/	/	/
	2.4G WIFI 802.11b	0.057	0.030	/	/	/	/
	5G WIFI 802.11a	0.156	0.123	/	/	/	/
	BT	*0.132	*0.132				
2.4G WIFI Simultaneous \sum 1-g SAR(W/Kg)		0.890	1.214	/	/	/	/
5G WIFI Simultaneous \sum 1-g SAR(W/Kg)		0.989	1.307	/	/	/	/
BT Simultaneous \sum 1-g SAR(W/Kg)		0.965	1.316				

Simultaneous Tx Combination of GSM/WCDMA/LTE and WIFI (Body).

Test Position		Face	Back	Edge A	Edge B	Edge C	Edge D
Hotspot 10mm separation MAX 1-g SAR(W/Kg)	GSM850	0.833	1.180	/	0.966	0.548	0.784
	GSM1900	0.465	1.184	/	0.090	0.572	0.187
	WCDMA 850	0.226	0.759	/	0.268	0.051	0.209
	WCDMA 1900	0.607	1.174	/	0.125	0.788	0.282
	CDMA BC0	0.280	0.623	/	0.358	0.188	0.273
	LTE Band2	0.664	1.180	/	0.108	0.745	0.254
	LTE Band4	0.350	0.792	/	0.121	0.511	0.229
	LTE Band5	0.315	0.616	/	0.278	0.164	0.400
	LTE Band7	0.200	0.463	/	0.127	0.567	0.079
	LTE Band12	0.029	0.139	/	0.049	0.014	0.048
	LTE Band17	0.022	0.110	/	0.037	0.015	0.031
	LTE Band25	0.377	0.750	/	0.050	0.475	0.153
	LTE Band41	0.144	0.331	/	0.091	0.492	0.070
	LTE Band66	0.354	0.694	/	0.051	0.382	0.109
	2.4G WIFI 802.11b	0.057	0.030	0.059	0.291	/	/
WIFI Simultaneous \sum 1-g SAR(W/Kg)		0.890	1.214	/	1.257	/	/

The estimated SAR value with * Signal

SAR to Peak Location Separation Ratio (SPLSR)

As the Sum of the SAR is not greater than 1.6 W/kg SPLSR assessment is not required

12.Measurement Uncertainty

No.	Uncertainty Component	Type	Uncertainty Value (%)	Probability Distribution	k	ci	Standard Uncertainty (%) $u_i(\%)$	Degree of freedom ν_{eff} or ν_i
Measurement System								
1	– Probe Calibration	B	5.8	N	1	1	5.8	∞
2	– Axial isotropy	B	3.5	R	$\sqrt{3}$	0.5	1.43	∞
3	– Hemispherical Isotropy	B	5.9	R	$\sqrt{3}$	0.5	2.41	∞
4	– Boundary Effect	B	1	R	$\sqrt{3}$	1	0.58	∞
5	– Linearity	B	4.7	R	$\sqrt{3}$	1	2.71	∞
6	– System Detection Limits	B	1.0	R	$\sqrt{3}$	1	0.58	∞
7	Modulation response	B	3	N	1	1	3.00	
8	– Readout Electronics	B	0.5	N	1	1	0.50	∞
9	– Response Time	B	1.4	R	$\sqrt{3}$	1	0.81	∞
10	– Integration Time	B	3.0	R	$\sqrt{3}$	1	1.73	∞
11	– RF Ambient Conditions	B	3.0	R	$\sqrt{3}$	1	1.73	∞
12	– Probe Position Mechanical tolerance	B	1.4	R	$\sqrt{3}$	1	0.81	∞
13	– Probe Position with respect to Phantom Shell	B	1.4	R	$\sqrt{3}$	1	0.81	∞
14	– Extrapolation, Interpolation and Integration Algorithms for Max. SAR evaluation	B	2.3	R	$\sqrt{3}$	1	1.33	∞
Uncertainties of the DUT								

15	– Position of the DUT	A	2.6	N	$\sqrt{3}$	1	2.6	5
16	– Holder of the DUT	A	3	N	$\sqrt{3}$	1	3.0	5
17	– Output Power Variation –SAR drift measurement	B	5.0	R	$\sqrt{3}$	1	2.89	∞
Phantom and Tissue Parameters								
18	– Phantom Uncertainty(shape and thickness tolerances)	B	4	R	$\sqrt{3}$	1	2.31	∞
19	Uncertainty in SAR correction for deviation(in permittivity and conductivity)	B	2	N	1	1	2.00	
20	– Liquid Conductivity Target –tolerance	B	2.5	R	$\sqrt{3}$	0.6	1.95	∞
21	– Liquid Conductivity –measurement Uncertainty)	B	4	N	$\sqrt{3}$	1	0.92	9
22	– Liquid Permittivity Target tolerance	B	2.5	R	$\sqrt{3}$	0.6	1.95	∞
23	– Liquid Permittivity –measurement uncertainty	B	5	N	$\sqrt{3}$	1	1.15	∞
Combined Standard Uncertainty				RSS			10.63	
Expanded uncertainty (Confidence interval of 95 %)				K=2			21.26	

System Check Uncertainty

No.	Uncertainty Component	Type	Uncertainty Value (%)	Probability Distribution	k	ci	Standard Uncertainty (%) $u_i(\%)$	Degree of freedom V_{eff} or v_i
Measurement System								
1	– Probe Calibration	B	5.8	N	1	1	5.8	∞
2	– Axial isotropy	B	3.5	R	$\sqrt{3}$	0.5	1.43	∞

3	– Hemispherical Isotropy	B	5.9	R	$\sqrt{3}$	0.5	2.41	∞
4	– Boundary Effect	B	1	R	$\sqrt{3}$	1	0.58	∞
5	– Linearity	B	4.7	R	$\sqrt{3}$	1	2.71	∞
6	– System Detection Limits	B	1	R	$\sqrt{3}$	1	0.58	∞
7	Modulation response	B	0	N	1	1	0.00	
8	– Readout Electronics	B	0.5	N	1	1	0.50	∞
9	– Response Time	B	0.00	R	$\sqrt{3}$	1	0.00	∞
10	– Integration Time	B	1.4	R	$\sqrt{3}$	1	0.81	∞
11	– RF Ambient Conditions	B	3.0	R	$\sqrt{3}$	1	1.73	∞
12	– Probe Position Mechanical tolerance	B	1.4	R	$\sqrt{3}$	1	0.81	∞
13	– Probe Position with respect to Phantom Shell	B	1.4	R	$\sqrt{3}$	1	0.81	∞
14	– Extrapolation, Interpolation and Integration Algorithms for Max. SAR evaluation	B	2.3	R	$\sqrt{3}$	1	1.33	∞
Uncertainties of the DUT								
15	Deviation of experimental source from numerical source	A	4	N	1	1	4.00	5
16	Input Power and SAR drift measurement	A	5	R	$\sqrt{3}$	1	2.89	5
17	Dipole Axis to Liquid Distance	B	2	R	$\sqrt{3}$	1	1.2	∞
Phantom and Tissue Parameters								
18	– Phantom Uncertainty(shape)	B	4	R	$\sqrt{3}$	1	2.31	∞



	and thickness tolerances)							
19	Uncertainty in SAR correction for deviation(in permittivity and conductivity)	B	2	N	1	1	2.00	
20	- Liquid Conductivity Target -tolerance	B	2.5	R	$\sqrt{3}$	0.6	1.95	∞
21	- Liquid Conductivity -measurement Uncertainty)	B	4	N	$\sqrt{3}$	1	0.92	9
22	- Liquid Permittivity Target tolerance	B	2.5	R	$\sqrt{3}$	0.6	1.95	∞
23	- Liquid Permittivity -measurement uncertainty	B	5	N	$\sqrt{3}$	1	1.15	∞
Combined Standard Uncertainty				RSS			10.15	
Expanded uncertainty (Confidence interval of 95 %)				K=2			20.29	



13. Equipment List

This table is a complete overview of the SAR measurement equipment. Devices used during the test described are marked .

	EQUIPMENT	Model	Serial number	Calibration Date	Due Date
<input checked="" type="checkbox"/>	SAR Probe	SSE2	SN27/15 EPGO261	2019/03/04	2020/03/03
<input checked="" type="checkbox"/>	Dipole	SID750	SN 23/15 DIP0G750-378	2019/11/27	2020/11/26
<input checked="" type="checkbox"/>	Dipole	SID835	SN 09/13 DIP0G835-217	2019/11/27	2020/11/26
<input type="checkbox"/>	Dipole	SID900	SN 09/13 DIP0G900-215	2019/11/27	2020/11/26
<input checked="" type="checkbox"/>	Dipole	SID1800	SN 09/13 DIP1G800-216	2019/11/27	2020/11/26
<input checked="" type="checkbox"/>	Dipole	SID1900	SN 09/13 DIP2G000-218	2019/11/27	2020/11/26
<input type="checkbox"/>	Dipole	SID2000	SN 09/13 DIP2G000-219	2019/11/27	2020/11/26
<input checked="" type="checkbox"/>	Dipole	SID2450	SN_09/13_DIP2G450-220	2019/11/27	2020/11/26
<input checked="" type="checkbox"/>	Dipole	SID2600	SN 32/14_DIP2G600-338	2019/11/27	2020/11/26
<input checked="" type="checkbox"/>	Dipole	SWG5500	SN15/15 WGA39	2019/11/27	2020/11/26
<input checked="" type="checkbox"/>	Multimeter	Keithley-2000	4014020	2019/04/01	2020/04/01
<input checked="" type="checkbox"/>	System Simulator(Agilent 8960)	E5515C	GB 47200710	2019/10/21	2020/10/21
<input checked="" type="checkbox"/>	System Simulator(R&S)	CMW500	130805	2019/07/30	2020/07/29
<input checked="" type="checkbox"/>	KEYSIGHT	E7515A	MY56040357	2019/04/01	2020/04/01
<input checked="" type="checkbox"/>	Vector Network Analyzer(R&S)	ZVB8	A0802530	2019/04/17	2020/04/17
<input checked="" type="checkbox"/>	PC 3.5 Fixed Match Calibration Kit	ZV-Z32	100571	2019/11/22	2020/11/21
<input checked="" type="checkbox"/>	Dielectric Probe Kit	SCLMP	SN 09/13 OCPG51	2019/11/22	2020/11/21
<input checked="" type="checkbox"/>	Signal Generator	SMU200A	A140801888	2019/04/01	2020/04/01
<input checked="" type="checkbox"/>	Amplifier	Nucletudes	143060	2019/03/26	2020/03/25
<input checked="" type="checkbox"/>	Directional Coupler	DC6180A	305827	2019/03/26	2020/03/25
<input checked="" type="checkbox"/>	Power Meter	NRP2	A140401673	2019/03/26	2020/03/25
<input checked="" type="checkbox"/>	Power Sensor	NPR-Z11	1138.3004.02-114072-nq	2019/03/26	2020/03/25
<input checked="" type="checkbox"/>	Power Meter	NRVS	A0802531	2019/03/26	2020/03/25
<input checked="" type="checkbox"/>	Power Sensor	NRV-Z4	100069	2019/03/26	2020/03/25



ANNEX A: Appendix A: SAR System performance Check Plots

(Please See Appendix A)

ANNEX B: Appendix B: SAR Measurement results Plots

(Please See Appendix B)

ANNEX C: Appendix C: Calibration reports

(Please See Appendix C)

ANNEX D: Appendix D: SAR Test Setup

(Please See Appendix D)

—End of the Report—