

Antenna Specifications

1 Summary

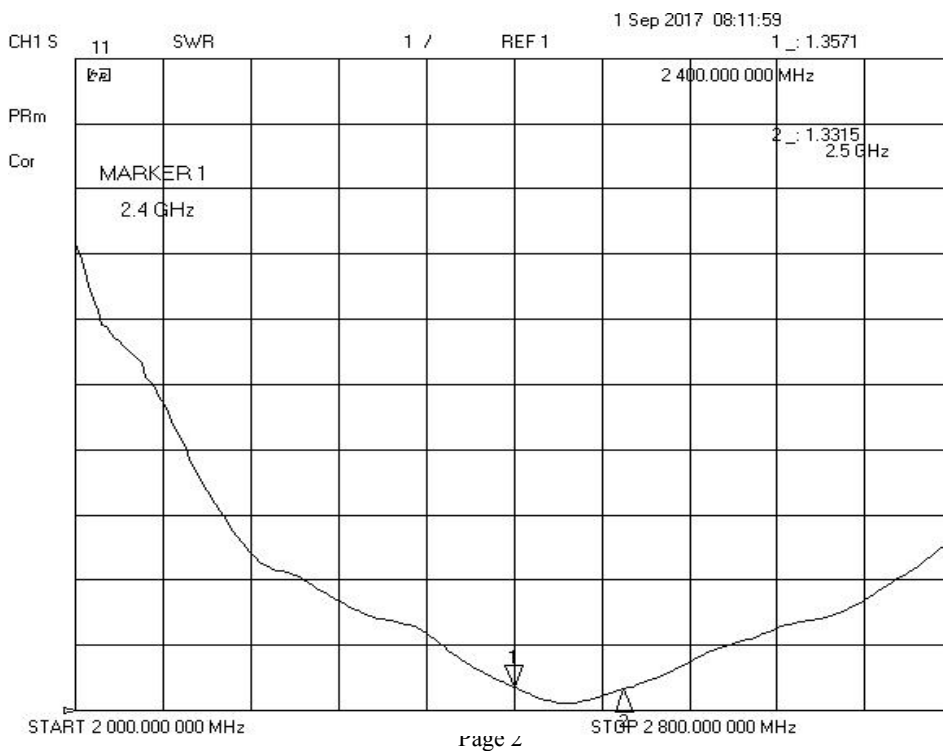
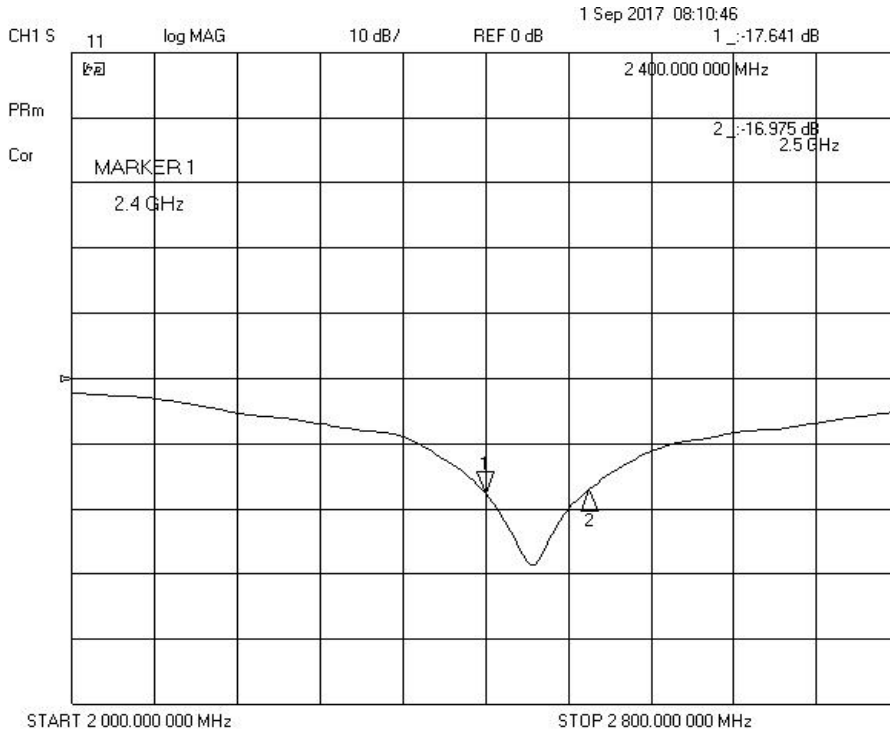
Design Specifications	Typical	Units
天线形式(Antenna Type)	Dipole Antenna	
工作频率(working Frequency)	2400-2500	MHz
增益 (Gain)	4dBi(Max)	DBi
天线效率 (Antenna efficiency)	70%	百分比
电压驻波比 (VSWR)	≤1.5	
极化方式(Ploriaztion)	线极化	
轴比(Axial Ratio)	N/A	N/A
辐射方向(Radiation pattern)	全向	
馈电阻抗(impedance)	50Ω	
功率容量(Power handling)	33	dBm
天线接口(Interface)	SMA	
天线尺寸(Overal dimensions)	Φ10x109mm	
重量(Weight)	6.5g	g
工作温度(Operatin Temp)	-40℃~85℃	℃
储存温度(Storing Temp)	-45℃~85℃	℃

Antenna Specifications

2 VSWR

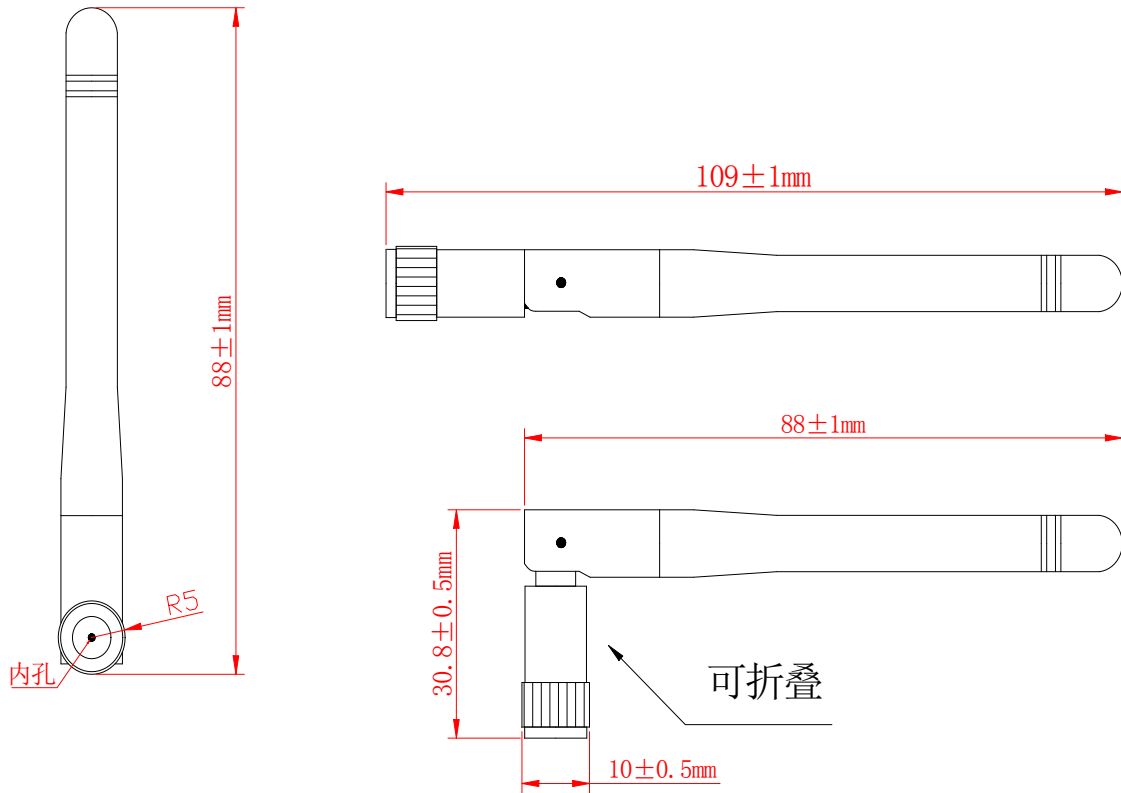
Fre. (MHz)	VSWR
2400	≤ 1.6
2500	≤ 1.7

2.1 SWR log mag



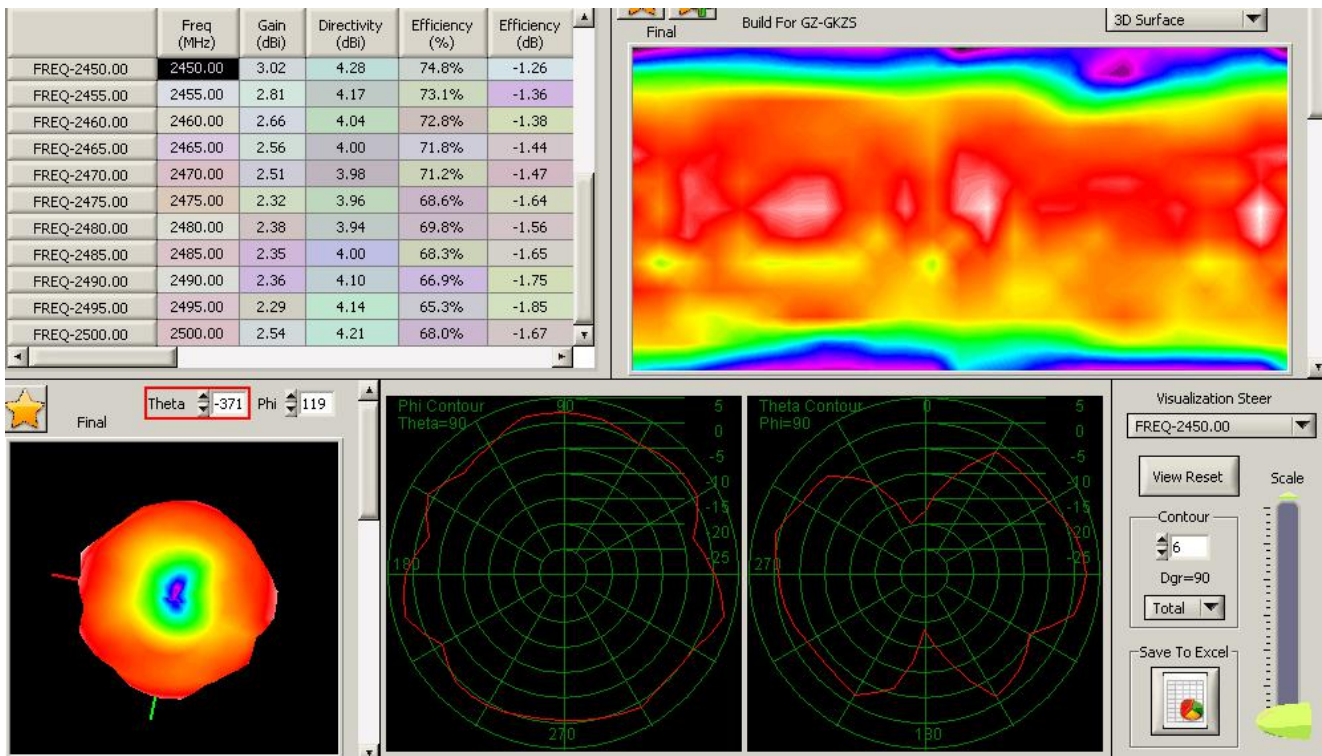
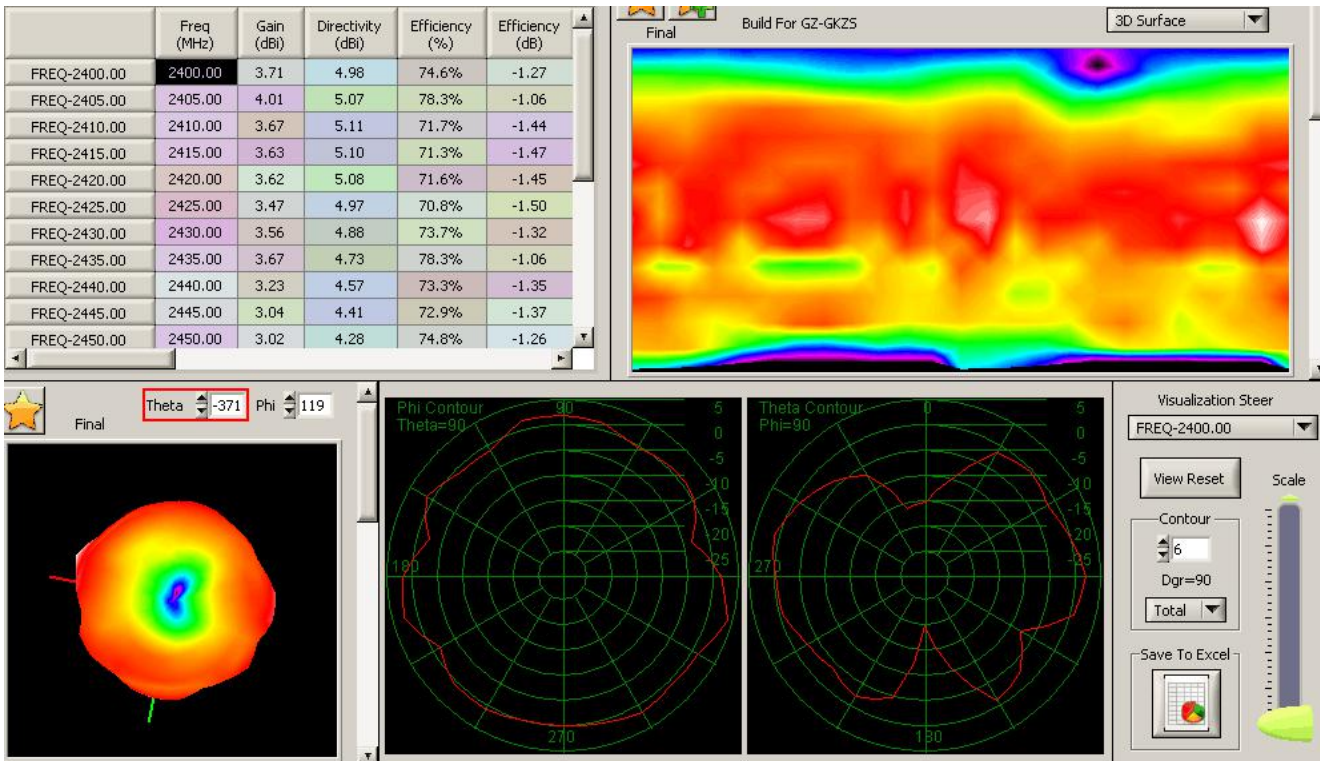
Antenna Specifications

2.2 Antenna Photo



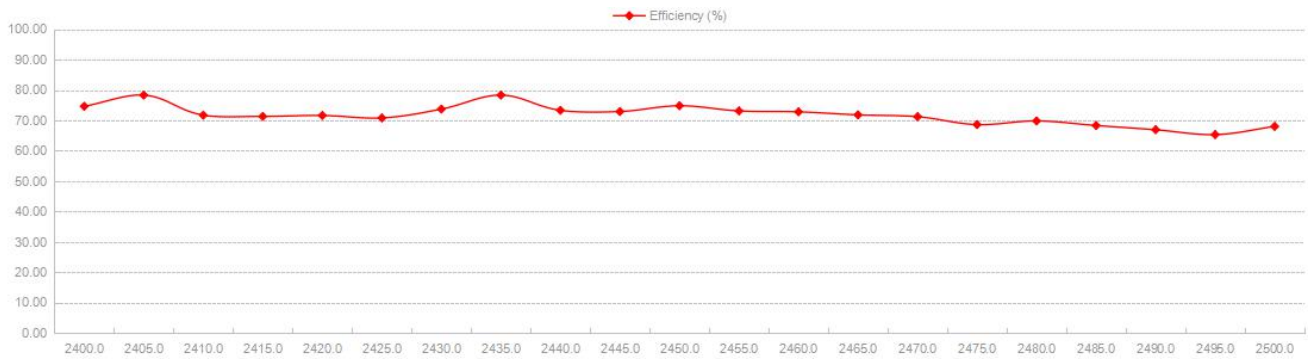
Antenna Specifications

3 Antenna Pattern



Antenna Specifications

4. Efficiency picture:



5. Gain picture:

