

# Imou

## Quick Start Guide

Version 1.0.2

### Packing List



Camera ×1



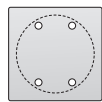
QSG ×1



Power Cable ×1



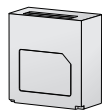
Bracket ×1



Positioning Map ×1

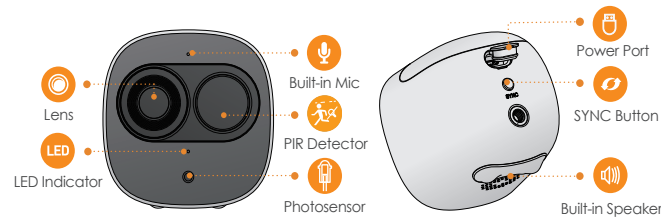


Screw Package ×1



Battery ×1

### Camera Introduction

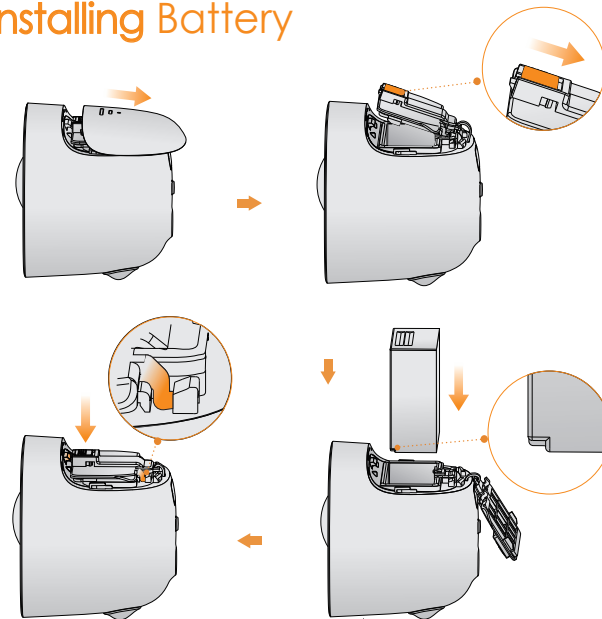


**Note:** Press the SYNC button to pair with the base station.  
Press and hold the SYNC button for 8 s to reset the camera.

The pattern of the LED indicator is included in the following table.

LED Indicator Status	Device Status
Off	<ul style="list-style-type: none"><li>Sleeping mode</li><li>Run out of battery</li></ul>
Green light on	<ul style="list-style-type: none"><li>Alarm is triggered</li><li>Instructed to wake</li></ul>
Green light flashing	Reconnecting Wi-Fi
Green light quick flashing	Waiting for pairing with the base station
Green light stay on for 10 s, then off	Pairing succeeded
Red light stay on for 10 s, then off	Pairing timeout
Red light stay on for 1 s, then off	Reset completed

### Installing Battery



## Safety Instructions

- Do not short circuit the battery with other metal.
- Do not heat the battery or throw it into fire.
- Do not take apart the battery or press it to make it deformed.
- Keep the battery away from children.
- It is recommended to use the original battery.
- Do not use the battery at temperature above 60°C/140°F.
- The battery cannot be charged at temperature below 0°C/32°F.
- Recycle the waste battery as local regulations instructed.

## About the Guide

- This quick start guide is for reference only. Minor difference might be found in user interface.
- All the design and software here are subject to change without prior written notice.
- All trademarks and registered trademarks mentioned are the properties of their respective owners.
- Please visit our website or contact your local service engineer for more information.
- If there is any uncertainty or controversy, please refer to our final explanation.

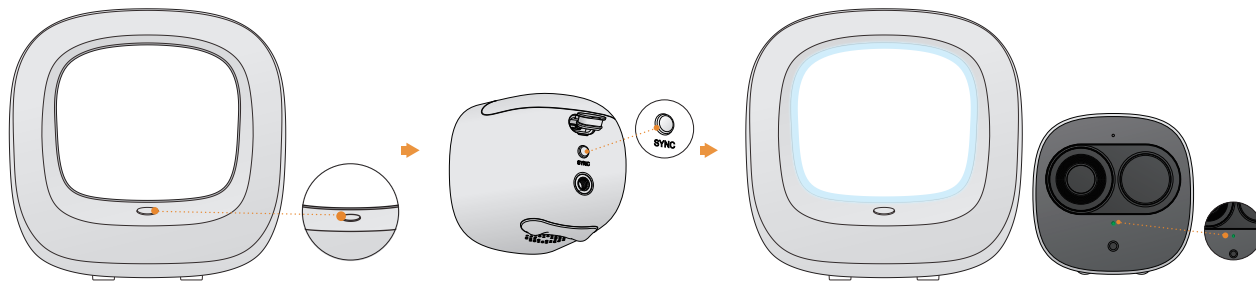
## Pairing with the base station

### Step 1

On the base station: Press the SYNC button, and then the indicator on the base station flashes with white light.

### Step 2

On the camera: Press the SYNC button, and then the indicator on the camera flashes with green light.



### Step 3

The pairing starts, and the indicators flash as described below:

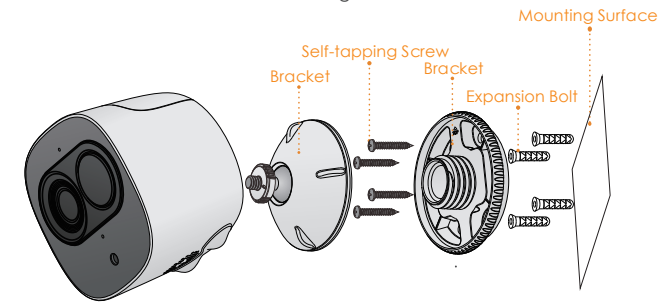
- The system indicator on the base station stays on with white light for 10 s, and then off.
- The indicator on the camera stays on with green light for 10 s, and then off.

The pairing succeeded then.

**Note:** You can pair six cameras at most with one base station, and pair one camera at a time. Keep the distance of the base station and the camera within 30 cm (12 inches) during pairing.

## Installing Camera

**Note:** Make sure the mounting surface is strong enough to hold at least three times of the device weight.



- Step1** Drill screw holes on the mounting surface as the positioning map shows, and then put in the expansion bolts.
- Step2** Open the bracket, and then attach the bottom of the bracket to the mounting surface with the self-tapping screws.
- Step3** Attach the other half of the bracket to the camera, then adjust the lens to the ideal angle, and then fix the bracket.

# Regulatory Information

---

The regulatory information herein might vary according to the model you purchased. Some information is only applicable for the country or region where the product is sold.

## FCC Information



Changes or modifications not expressly approved by the party responsible for compliance could void the user's authority to operate the equipment.

### FCC conditions:

This device complies with part 15 of the FCC Rules. Operation is subject to the following two conditions:

- This device may not cause harmful interference.
- This device must accept any interference received, including interference that may cause undesired operation.

### FCC compliance:

This equipment has been tested and found to comply with the limits for a digital device, pursuant to part 15 of the FCC Rules. This equipment generates, uses, and can radiate radio frequency energy and, if not installed and used in accordance with the instructions, may cause harmful interference to radio communication.

- ✔ For class B device, these limits are designed to provide reasonable protection against harmful interference in a residential installation. However, there is no guarantee that interference will not occur in a particular installation. If this equipment does cause harmful interference to radio or television reception, which can be determined by turning the equipment off and on, the user is encouraged to try to correct the interference by one or more of the following measures:

- Reorient or relocate the receiving antenna.
- Increase the separation between the equipment and receiver.
- Connect the equipment into an outlet on a circuit different from that to which the receiver is connected.
- Consult the dealer or an experienced radio/TV technician for help.

This equipment should be installed and operated with a minimum distance 20cm between the radiator and your body.

## **Battery Replacement and Disposal**

Applicable to products with battery.



**CAUTION**

Risk of explosion if battery is replaced by an incorrect type. Dispose of used batteries according to the instructions.

# **Privacy Protection Notice**

---

As the device user or data controller, you might collect personal data of others such as face, fingerprints, car plate number, Email address, phone number, GPS and so on. You need to be in compliance with the local privacy protection laws and regulations to protect the legitimate rights and interests of other people by implementing measures include but not limited to: providing clear and visible identification to inform data subject the existence of surveillance area and providing related contact.