



ZHEJIANG DAHUA VISION TECHNOLOGY CO., LTD.

Date 2019-10-23

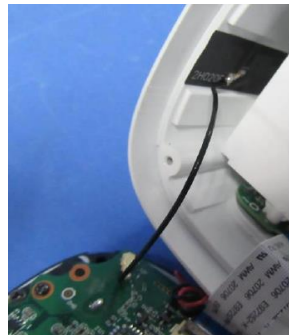
To: SGS North America Inc.
620 Old Peachtree Road
SUITE 100
Suwanee, Georgia
United States

Subject: **FCC Class II Permission Change Request for FCC ID: SVNDH-IPC-BX6E**

Dear Sir/Madam,

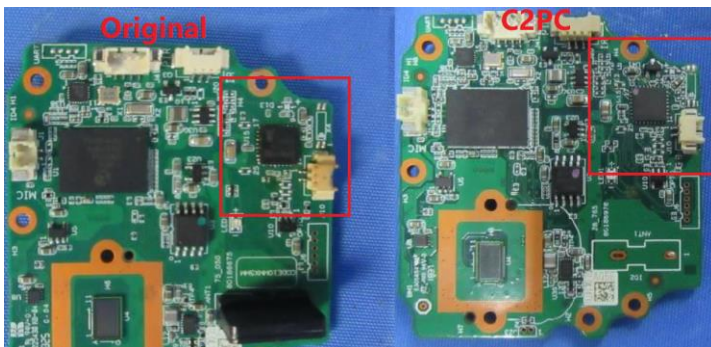
This is to request a Class II Permission Change Request for FCC ID: SVNDH-IPC-BX6E, originally granted on 01/22/2019

The Major change filed under this application is the battery camera changes Wi-Fi antenna, from plug-in antenna to soft FPC antenna with ipex



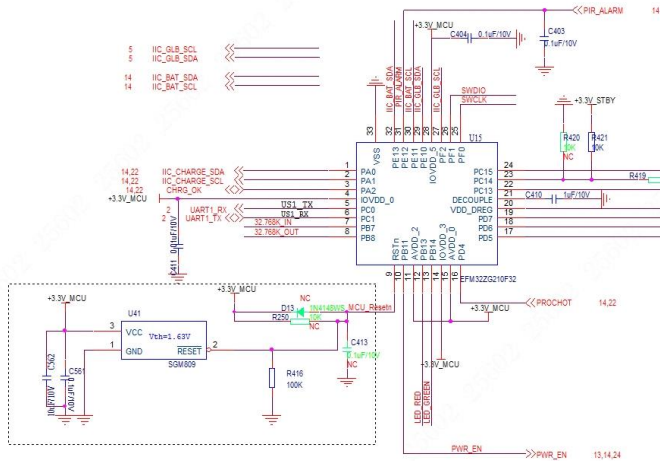
Before change: Integral Antenna, Antenna Gain: 2.3dBi,

After change: FPC Antenna, Antenna Gain:5dBi



Before change

After change



After change, In the new circuit, U41, R416, C562 and C561 are added in the dotted box.

If you have any questions regarding this application, please free to contact me.

Yours Sincerely,

Signature

Contact name: Yolanda Chen

Company Name: **ZHEJIANG DAHUA VISION TECHNOLOGY CO., LTD.**