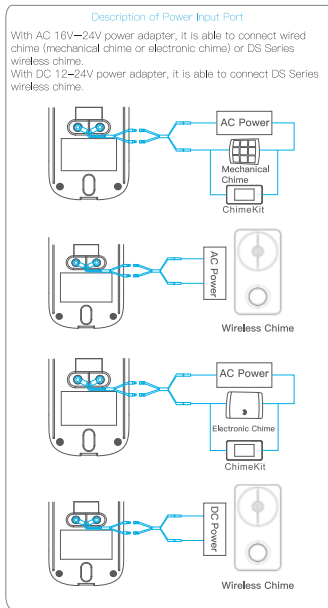
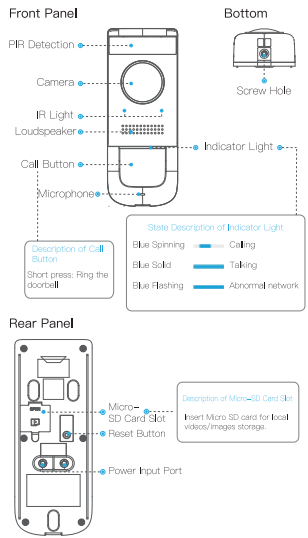


01 Product Appearance



02 Add Device

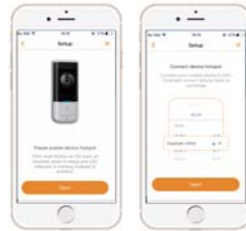
Please ensure that your mobile phone has connected with Wi-Fi.

Step 1: Download and log onto APP

- 1 Connect your smartphone with your Wi-Fi network, scan "Lechange" QR code on the packing box, download and install Lechange App.
- 2 Run Lechange App, and register an account for the first use.

Step 2: Add device

- 1 At device list interface, press "+" to enter "QR Code Scanning" interface.
- 2 Scan QR code on the back of the doorbell to get the SN; you can also manually enter the SN on the next page.
- 3 Press Reset Key on the rear panel of the device. In case of blue spinning light, it means that device hotspot is on.
- 4 Connect mobile phone Wi-Fi with device hotspot. Hotspot Wi-Fi name is Doorbell- device serial number.



- 5 Set password for your doorbell. If this device is not used for the first time, the interface is to enter device password.



- 6 Choose the Wi-Fi network to be connected. Input Wi-Fi network password and press "Connect".



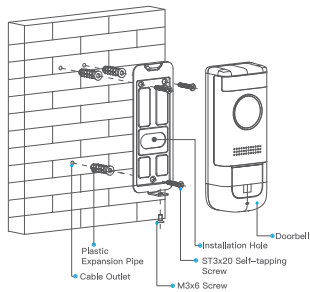
- 7 Please check if device indicator light is blue ON. If the indicator light isn't solid blue, press [Add again], repeat above steps to add it again. If the indicator light is solid blue, it means that the connection is successful.



03 Product Installation

Please ensure that the device has been added successfully.

- 1 Loosen M3x6 screws at the bottom of the device, and dismantle the installation bracket from the device.
- 2 Drill holes in the wall according to screw hole and cable outlet positions of installation bracket, and install plastic expansion pipes.
- 3 Fix the bracket onto the wall with three ST3x20 self-tapping screws.
- 4 Connect cables.
- 5 Put the device into the slot at the top of the bracket from top to bottom.
- 6 Fix the device onto the bracket with M3x6 screws.



04 FAQ

▶ Q: The device cannot boot up?

Please confirm whether power voltage of the device is normal, and whether power cable is well connected.

▶ Q: Connection is overtime?

- a. The device, mobile phone and router are too far away. Please put them within 30cm (12 inches) when configuring.
- b. Please reset the device to factory defaults and follow the guide on App page to try again.

▶ Q: The device is not online?

Please check the state of device indicator light. If blue light flickers all the time, it means that the device fails to connect the network. Please check whether wireless router can connect the network; connect your mobile phone with this wireless network to test it. If it can connect the network, please reset the device and configure again.

▶ Q: How to upgrade the firmware?

Enter "Me > My Device" to find the device, and view cloud upgrade menu. If there is new program prompt (a red dot), click to enter upgrade interface. The device will be rebooted automatically after upgrade.

▶ Q: There is no message when PIR motion detection is triggered?

- a. Please check whether alarm subscription is enabled.
- b. If it is enabled, please check whether corresponding PIR zone is enabled.
- c. Please check whether zone detection distance is set to be a relatively small range.

▶ Q: How to restore factory settings?

Please press Reset Button on the rear panel of the device for 5s. Blue light will be on for 3s and then turn off; the device will reboot automatically and restore factory default settings.

05 Safety Tips and Warnings

The following description is the correct application method of the device. Please read the manual carefully before use, in order to prevent danger and property loss. Strictly conform to the manual during application and keep it properly after reading.

⚠ Caution

- Please don't place and install the device in an area exposed to direct sunlight or near heat generating device.
- Please don't install the device in a humid, dusty or fuliginous area.
- Please keep its horizontal installation, or install it at stable places, and prevent it from falling.
- Please don't drip or splash liquids onto the device; don't put on the device anything filled with liquids, in order to prevent liquids from flowing into the device.
- Please install the device at well-ventilated places; don't block its ventilation opening.
- Use the device only within rated input and output range.
- Please don't dismantle the device arbitrarily.
- Please transport, use and store the device within allowed humidity and temperature range.
- Products with category I structure shall be connected to grid power output socket, which is equipped with protective grounding.

Special Statement

- This document is for reference only. Please refer to the actual product for more details.
- The user's manual and program will be updated in a real-time way according to the product, which won't be further notified.
- The user shall undertake any losses resulting from violation of guidance in the document.
- The document may include technically inaccurate contents, inconsistencies with product functions and operations, or misprint. Final explanations of the company shall prevail.

⚠ Caution

The user is cautioned that changes or modifications not expressly approved by the party responsible for compliance could void the user's authority to operate the equipment.

Note:

This equipment has been tested and found to comply with the limits for a Class B digital device, pursuant to part 15 of the FCC Rules. These limits are designed to provide reasonable protection against harmful interference in a residential installation. This equipment generates, uses and can radiate radio frequency energy and, if not installed and used in accordance with the instructions, may cause harmful interference to radio communications. However, there is no guarantee that interference will not occur in a particular installation. If this equipment does cause harmful interference to radio or television reception, which can be determined by turning the equipment off and on, the user is encouraged to try to correct the interference by one or more of the following measures:

- Reorient or relocate the receiving antenna.
- Increase the separation between the equipment and receiver.
- Connect the equipment into an outlet on a circuit different from that to which the receiver is connected.
- Consult the dealer or an experienced radio/TV technician for help.

FCC RF Radiation Exposure Statement:

This equipment complies with FCC radiation exposure limits set forth for an uncontrolled environment. This equipment should be installed and operated with a minimum distance of 20cm between the radiator and any part of your body.

Privacy Protection Notice

As the device user or data controller, you might collect personal data of others' such as face, fingerprints, car plate number, Email address, phone number, GPS and so on. You need to be in compliance with the local privacy protection laws and regulations to protect the legitimate rights and interests of other people by implementing measures include but not limited to: providing clear and visible identification to inform data subject the existence of surveillance area and providing related contact.

Quick Start Guide Video Doorbell