

Quick Install Instruction

SCT 101 Transmitter



SCR 102 Receiver



Specifications

Transmitter	
Audio input (speakers)	10 VRMS MAX
Audio output (wireless)	48 kHz, 16-bit stereo
Transmission delay	20 mS
Power supply	DC 6 V at 0.3 A
Receiver	
Audio input (wireless)	48 kHz, 16-bit stereo
Audio output (speakers)	50 W (RMS)
Speakers	4 to 8 ohm compatible
Signal-to-noise ratio	100 dB
Total harmonic distortion	< 0.5%
Power supply	DC 24 V at 2.5 A
Power consumption	60 W

CAUTION *Be certain that you are connecting the SCT101 Transmitter to your Home Theater System. Connecting the SCR102 Receiver to the Home Theater System could result in damage to SurroundCast and/or your Home Theater equipment.* **CAUTION**

1 SCS100 SurroundCast Kit Contents

1 SCT101 Transmitter
(Black front, grey enclosure)



1 SCR102 Receiver
(Black front and enclosure)



1 SY-0630 115VAC / 6VDC
Power Adapter for Transmitter



1 GPE603- 100 – 240VAC / 24VDC
Power Adapter for Receiver, AC clip



1 Power Cord for GPE603
Power Adapter



2 Transmitter Input Wires
(black / black - white pair)



2 Stands



2 Safety information

Before you start...

- Read the instructions.
- Do not install this system in close proximity to water or fire.
- Do not expose these products to very hot environments or heat sources.
- Use only the original parts and accessories provided by Soundcast Systems.
- Avoid spilling liquids on any of the components of the system.
- Clean using only a dry cloth.
- This equipment is designed and intended for indoor use only.
- To avoid a tripping hazard, do not place wires in exposed walkways.
- Connect wires by inserting the stripped leads completely inside the spring terminals. Make sure there is no excess stripped wire outside of the spring terminal. Excess stripped wires left outside of spring terminals may cause a short circuit and prevent the unit from functioning properly.
- Connect the SCT101 Transmitter (black front and grey enclosure) to the audio source with supplied input wires. Using speaker wire, connect the SCR102 Receiver (black front and enclosure) to your speakers.

CAUTION! Do not connect the SCR102 Receiver to the audio source. This will damage the Receiver and/or the audio source.

NOTE: This product uses a radio technology that is not compatible with other Soundcast Products. It is designed for the express purpose of in-room surround sound applications.

3 Features

- Compact design
- Works in the 2.4GHz frequency band
- Co-exists with other 2.4GHz devices
- Interference free audio operation
- Designed for in-room transmission range
- Very high quality audio

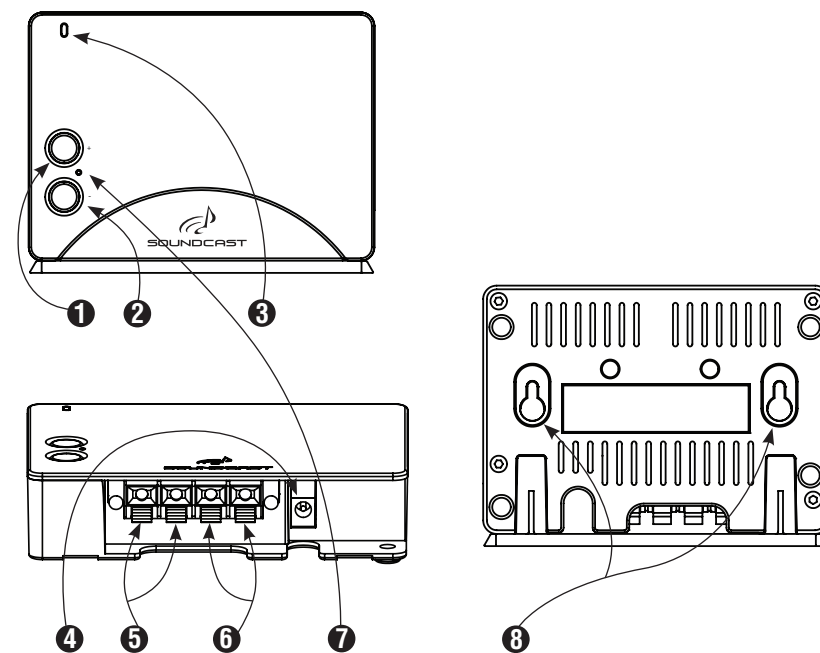
SCT 101 Transmitter

Black/Gray



SCR 102 Receiver

Black/Black



Transmitter and Receiver Units –

- ① Positive (+) volume calibration control
- ② Negative (-) volume calibration control
- ③ Status indicator
- ④ DC jack
- ⑤ Left speaker input terminals
- ⑥ Right speaker input terminals
- ⑦ Re-mating switch access
- ⑧ Wall mounting holes

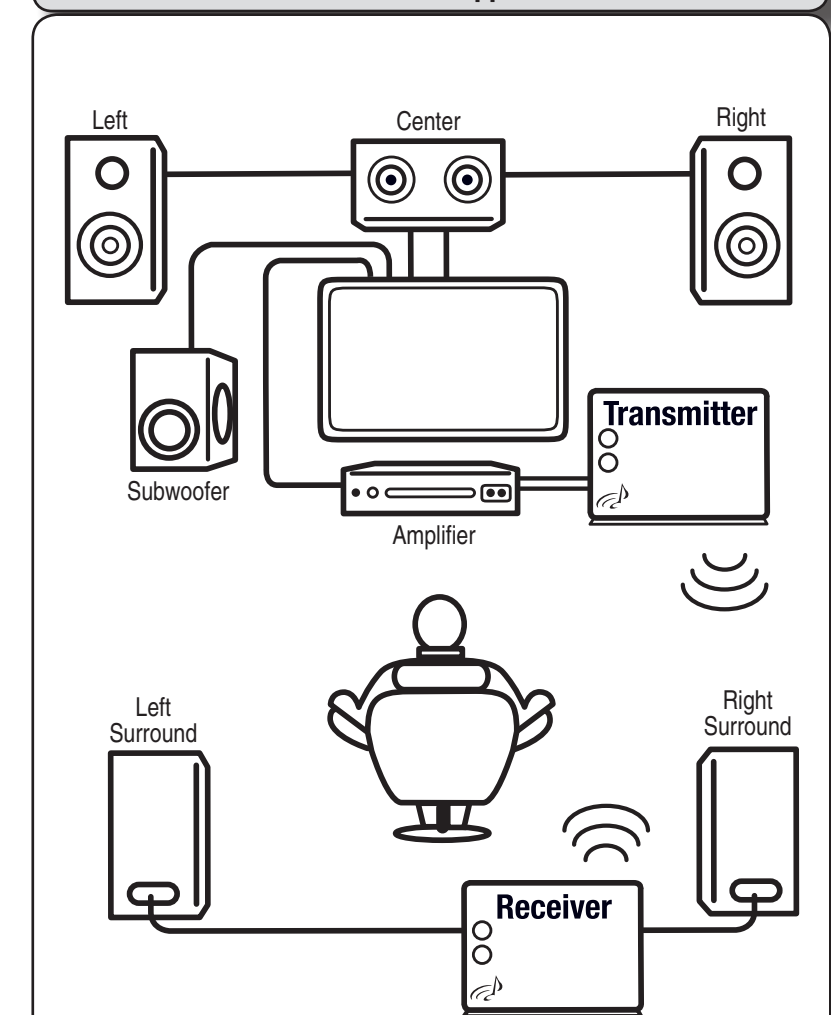
4 Placement

Please observe these guidelines to ensure the reliability and quality of the wireless connection.

1. For best results install both Transmitter and Receiver in a vertical orientation.
2. If the SurroundCast Receiver is wall mounted, optimum performance will occur if it is placed so that the orientation is facing the SurroundCast Transmitter.
3. If the SurroundCast Receiver is mounted in the mounting stand (included), optimum performance will occur if it is placed with an orientation facing the SurroundCast Transmitter.
4. It is also recommended to place both SurroundCast units at least 18 inches away from metallic walls or large metallic blocking objects to ensure a strong wireless link.
5. Prevent heavy objects from falling on the system and and/or exposed electrical wiring near SurroundCast components to avoid the risk of an electric shock.
6. Place SurroundCast components away from other sources of wireless signals such as routers, music networks or any other electronic piece of equipment that uses radio communications including other Soundcast products. A distance of 3 ft. or more between SurroundCast and your other wireless devices is preferable for optimum performance.

5 Setup

Home Theater Application

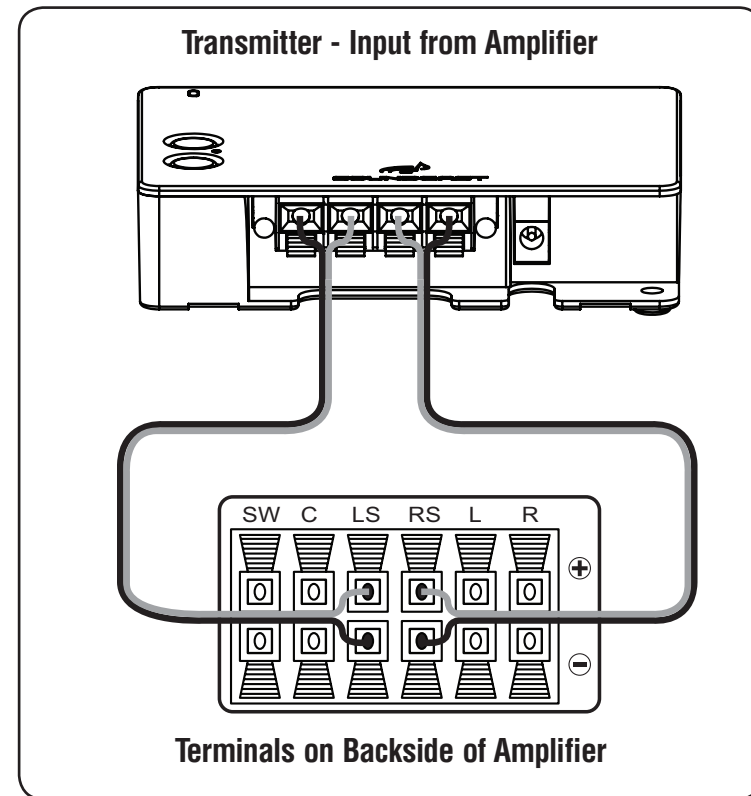


6 Connecting the Transmitter

Connecting the SurroundCast SCT101 Transmitter to your Home Theater System

Note: Turn off your Home Theater System while making connections.

Do not connect the SurroundCast transmitter unit to an AC outlet yet.



To hook up the SurroundCast Transmitter to your Home Theater System simply follow these steps:

1. Find the Left and Right surround (rear) speaker terminals on your equipment.
2. Connect them to the corresponding Left and Right terminals on the SCT101 Transmitter using the input wires provided in the SurroundCast kit.

Make sure to connect positive to positive and negative to negative when connecting the Left and Right channels. The red terminals on the SCT101 Transmitter are positive and the black terminals are negative. The supplied input wires have a white stripe on one conductor that can be used to identify the positive connection.

CAUTION: Be certain that you are connecting the SCT101 Transmitter to your Home Theater System. Connecting the SCR102 Receiver to the Home Theater System could result in damage to SurroundCast and/or your Home Theater equipment.

3. Insert the DC plug of the SY-0630 (6VDC) power adapter into the DC receptacle on the SCT101 Transmitter. Do not plug into AC outlet until you have read Operation Section 7 and 8.

7 Connecting the Receiver

Connecting the SurroundCast SCR102 Receiver to your speakers

On the receiver, please make these connections observing the following steps:

Note: Do not connect the SurroundCast Receiver unit to an AC outlet yet.

1. Connect the Left speaker to the corresponding pair of terminals on the SurroundCast Receiver.
2. Connect the Right speaker to the corresponding pair of terminals on the SurroundCast Receiver.

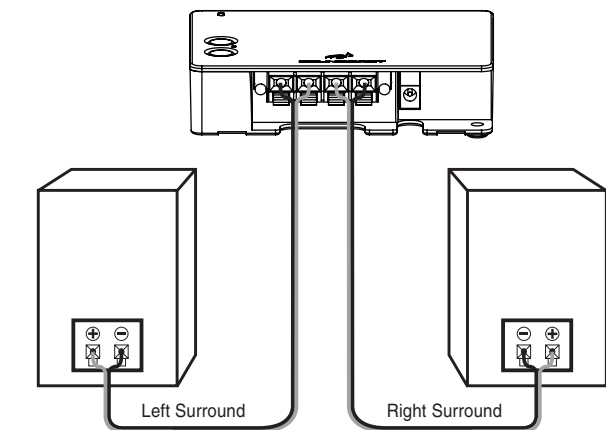
Note: use only passive speakers (not amplified) as using self-powered speakers could damage not only your speakers but also the SCR102 Receiver.

Make sure to connect positive to positive and negative to negative in each case (Red color is commonly used for positive

and black for negative but it might vary depending on the speaker manufacturer). The red terminals on the SCR102 Receiver are positive and the black terminals are negative.

3. Insert the DC plug of GPE603 (24VDC) power adapter into the DC receptacle on the SCR102 Receiver.

Receiver – Output to Speakers



9 Controlling and Calibrating the Audio

1. Control of the volume will always be done using your Home Theater System volume control.

The + and - controls on the SCT101 Transmitter and SCR102 Receiver are only to be used for system calibration, and should rarely need adjustment.

2. In most applications there will be no need to adjust the + and - volume calibration controls. These units have been factory calibrated to allow you to simply connect them and set the volume calibration with your Home Theater System's setup function. However, if your Home Theater System setup function is unable to set the proper level, you may use the + and - volume

calibration controls on the SCT101 or SCR102 during system setup by following these simple steps.

- a. The SCT101 Transmitter and SCR102 Receiver are both furnished with + and - volume calibration controls. The controls perform exactly the same function and are placed on both units for ease of setup in case one of the units is mounted in a place not easily accessible.
 - b. Select the unit that is most accessible. To adjust the level, press the + or - button to the desired level. Once you have set the level, the SurroundCast system will automatically remember that setting and will not need further adjustment.
3. To reset the volume calibration to factory settings, remove power from the SCT101 Transmitter. Press and hold both the + and - buttons while restoring power, and hold the buttons down until the blue indicator starts flashing.

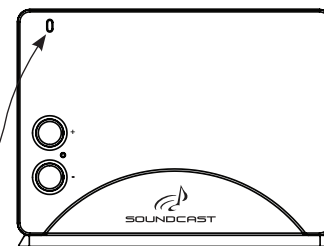
8 Operation

Powering on your SCT101 Transmitter

1. Plug the SY-0630 power adapter of your SCT101 Transmitter into an AC outlet.

2. A blue indicator will flash slowly to indicate that the unit is looking for the receiver to establish a wireless connection.

(blue indicator)



Powering on your SCR102 Receiver

1. Connect the GPE603 power adapter of your SCR102 Receiver to an AC outlet.

Note: This power adapter provides two ways to plug into an AC outlet. The first way is to use the AC clip that is already mounted on the power adapter. Simply plug the power adapter into AC outlet. If there is not enough space to directly plug the unit in, or you desire to locate the power adapter away from the AC outlet, you may remove the AC clip by pressing on the release tab (directly below the AC clip) and then gently sliding the AC clip off. Then insert the 2 pin receptacle of the supplied power cord into the power adapter and plug the power cord into an AC receptacle.

2. The blue indicator will start flashing slowly. After a few seconds, the indicator will stop flashing and remain on to indicate that a wireless connection has been established with the SCT101 Transmitter.

Playing Wireless Audio

Playing audio through your SurroundCast System

1. Once a wireless link has been established between Transmitter and Receiver, turn on your Home Theater System, play a DVD movie or DVD audio disc to verify that there's audio coming from the speakers connected to SurroundCast. We recommend using a disc you're familiar with or a disc that has constant activity in the rear channels so that you can easily confirm that the system is playing audio through the speakers.

2. Make sure your Home Theater System is set to play surround sound (5.1 Audio).

Consult the troubleshooting section if you don't hear any audio or if you notice the audio is out of sync with events on your TV screen.

3. SurroundCast features an Auto Power function that turns both Transmitter and Receiver off when there's no audio signal being fed to the system after approximately 20 minutes. This feature is to provide energy savings when your Home Theater System is not being used. Once the system detects the presence of an audio signal it automatically turns the SurroundCast Transmitter and Receiver on for you. Allow a few seconds for the audio to play through the speakers as the system is waking up.

10 Troubleshooting

Problem	Possible Cause	Solution
No wireless link	One or both SurroundCast components are next to other wireless systems causing interference. Transmitter and Receiver are not mated to each other. NOTE: The SCT101 Transmitter and SCR102 Receiver included in the SCS100 kit are mated to each other at the factory. If a replacement unit is used with the kit, the mating process described here will be required.	Move SurroundCast components at least 3ft. away from your wireless devices. Disconnect any unused wireless equipment. Re-mating process: Using a paper clip or toothpick inserted into the access hole near the + and - buttons on the SCT101 Transmitter (see drawing on the "Features" section), press and hold the re-mating button for 3 seconds. The blue indicator will begin to blink rapidly. Repeat the same procedure on the SCR102 Receiver. After a few seconds, the blue indicators will stop blinking and remain on.
No sound	The volume of your audio source is set to zero. Input wires on the transmitter end are disconnected or connected improperly. Speaker cables on the receiver end are disconnected or connected improperly.	Increase the volume of your Home Theater System. Power the unit off and reconnect the wires making sure they're going all the way in on both ends. Power the unit off and reinstall the cables making sure they are firmly connected on both ends.
No power	Either the transmitter or the receiver is disconnected from the power line or the DC cord is unplugged from the unit.	Connect the components to the AC line. Make sure the cords are firmly connected.
	Your system is connected to a switched outlet.	Connect your system to a different AC outlet.
Sound is not synchronized	Your Surround Receiver hasn't been setup with your new SurroundCast System connected.	Run your Home Theater System speaker setup and make adjustments accordingly. Note: If your Home Theater System has auto calibration features, we recommend to run the auto calibration after SurroundCast is installed. If your Home Theater System does not have auto calibration features, your system may require manual delay adjustments after SurroundCast has been installed to compensate for the additional 20mS delay.

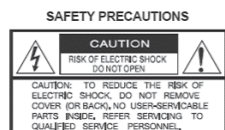
Information to User

This device complies with Part 15 of the FCC Rules. Operation is subject to the following two conditions: (1) This device may not cause harmful interference, and (2) This device must accept any interference received, including interference that may cause undesired operation.

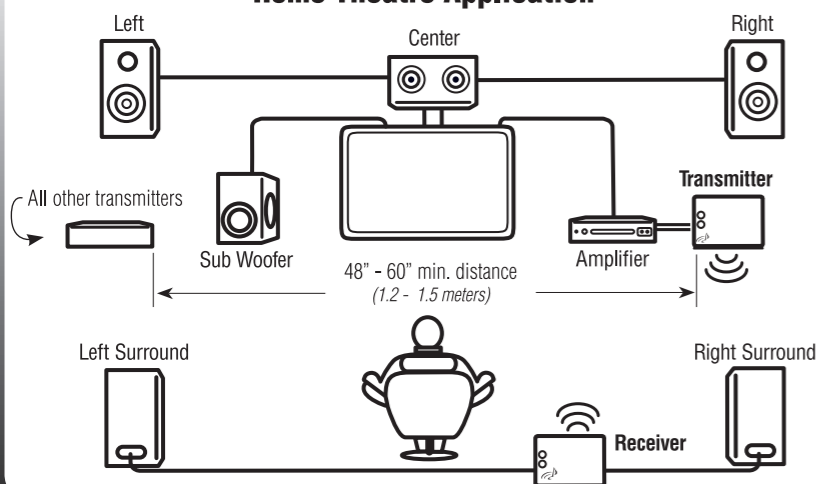
This equipment has been tested and found to comply with the limits for Class B Digital Device, pursuant to Part 15 of the FCC Rules. These limits are designed to provide reasonable protection against harmful interference in a residential installation. This equipment generates and can radiate radio frequency energy and, if not installed and used in accordance with the instructions, may cause harmful interference to radio communications. However, there is no guarantee that interference will not occur in a particular installation. If this equipment does cause harmful interference to radio or television reception, which can be determined by turning the equipment off and on, the user is encouraged to try to correct the interference by one or more of the following measures.

- Reorient or relocate the receiver or transmitter
- Increase the separation between the equipment and receiver
- Connect the equipment into an outlet on a circuit different from that to which the receiver is connected
- Consult the dealer or an experienced radio/TV technician for help

Any changes or modifications not expressly approved by the party responsible for compliance could void the user's authority to operate the equipment.



Home Theatre Application



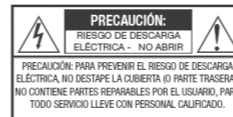
Información para el usuario

Este dispositivo cumple con el apartado 15 de los reglamentos del FCC. Su funcionamiento está sujeto a las dos condiciones siguientes: (1) Este dispositivo no debe causar interferencia dañina, y (2) éste dispositivo debe aceptar cualquier interferencia recibida, incluyendo interferencia que cause un funcionamiento no deseado.

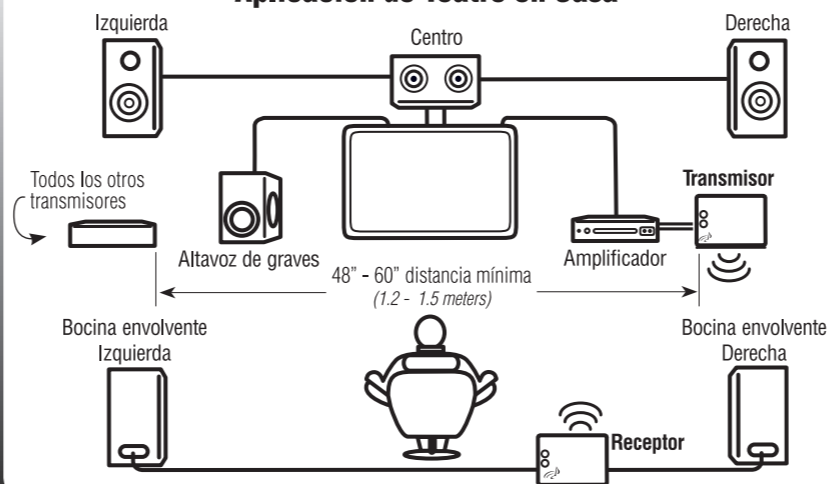
Este equipo ha sido probado y se encontró que cumple con los límites de cualquier dispositivo digital clase B, siguiendo el apartado 15 de los reglamentos del FCC. Estos límites están designados para proveer una protección razonable contra la interferencia dañina en una instalación residencial. Este equipo genera y puede emitir frecuencia y energía radial y de no ser instalado y utilizado de acuerdo con sus instrucciones, podría causar interferencia dañina a comunicaciones por radio. Aunque, no hay garantía de que no ocurra interferencia en una instalación particular. Si éste equipo causa interferencia dañina a recepción de radio o televisión, la cual puede ser determinada apagando y prendiendo el equipo, se sugiere al usuario tratar de corregir la interferencia tomando alguna de las siguientes medidas.

- Re-orienta o cambie de ubicación el receptor o el transmisor
- Incremente la separación entre el equipo y el receptor.
- Conecte el equipo a un tomacorriente de pared que se encuentre en un circuito diferente al que esta conectado el receptor.
- Consulte a su proveedor o a un técnico calificado en radio o TV para obtener asistencia.

Cualquier cambio o modificaciones que no hayan sido expresamente aprobadas por el comité responsable para su cumplimiento podrán anular la autoridad del usuario para operar el equipo.



Aplicación de Teatro en Casa



Informations pour l'utilisateur

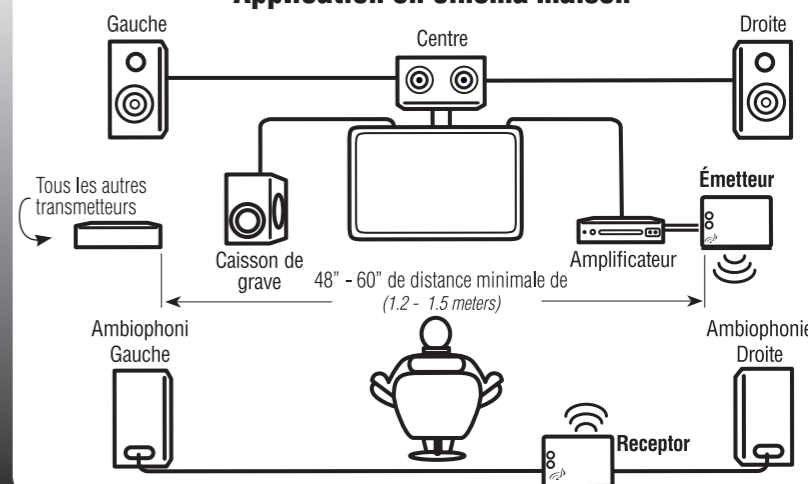
Cet appareil est conforme au chapitre 15 des règles FCC. Son utilisation est soumise aux deux conditions suivantes : (1) cet appareil ne peut pas provoquer d'interférences nuisibles et (2) cet appareil ne peut pas accepter les interférences reçues, y compris les interférences susceptibles de provoquer un fonctionnement erratique. Cet équipement a été testé et déclaré conforme aux spécifications de la Classe B des appareils numériques, suivant le chapitre 15 des Règles FCC. Ces limites sont prévues pour assurer une protection raisonnable contre les interférences nuisibles dans une installation domestique. Cet équipement génère, utilise, et peut émettre de l'énergie à base fréquences radio et, s'il est installé sans tenir compte des recommandations, peut causer des interférences nuisibles aux communications radio. Toutefois, il n'existe pas de garantie que des interférences ne puissent pas apparaître dans des installations particulières. Si cet équipement devait causer des interférences nuisibles aux récepteurs radio ou TV, qui peuvent être déterminées en mettant l'équipement sous ou hors tension, l'utilisateur est invité à remédier à ces interférences par l'une ou l'autre des mesures suivantes :

- Réorienter ou déplacer l'antenne de réception.
- Augmenter l'espace entre l'équipement et le récepteur.
- Connecter l'équipement à une prise ou un circuit différent de celui où est connecté le récepteur.
- Demandez l'assistance du revendeur ou d'un spécialiste radio /TV.

Tout changement ou modification non approuvé expressément par la partie responsable de la conformité pourrait priver l'utilisateur du droit à utiliser l'équipement



Application en cinéma maison



Warranty Service

USA & Canada Warranty

Soundcast Systems warrants to the end user ("Customer") that the hardware product will be free from defects in workmanship and materials, under normal use and service, for the following length of time from the date of purchase from Soundcast or an authorized retailer: One (1) Year. Soundcast Systems' sole obligation under this express warranty shall be, at its option and expense, to repair the defective product or part, deliver to Customer an equivalent product or part to replace the defective item. All products that are replaced will become the property of Soundcast Systems. Replacement products may be new or refurbished. Soundcast Systems warrants any replaced or repaired product or part for a period of ninety (90) days from shipment, or the remainder of the initial warranty period, whichever is longer. In no case shall Soundcast be responsible for damage to any connected audio equipment, including the iPod, resulting from misuse, abuse, neglect, improper installation or testing, unspecified application, modification or alteration of or tampering with Soundcast products.

If you need warranty service on your Soundcast Products

All warranty returns should be sent to Soundcast's Warranty Repair Service Center freight prepaid through the original selling retailer and must be accompanied by a copy of the original sales receipt. Direct returns from consumers will also be accepted, but only if accompanied by a Return Merchandise Authorization number (RMA) issued by Soundcast in advance of any shipment to the Soundcast Warranty Repair Service Center. Units returned without an RMA number to Soundcast may be subject to refusal or significant delays. Please ship the authorized return to Soundcast within 15 days of the issuance of the RMA. Repaired or replacement units will be shipped to you at Soundcast's expense. Any units with no trouble found will be returned to you freight collect. Soundcast Systems will give you the proper return address when the RMA is issued. Do not return the defective unit directly to Soundcast Systems.



SOUNDCAST
For Warranty Service Please Contact:
Soundcast Systems
San Diego, California
US only 1-800-722-1293
www.soundcastsystems.com
customersupport@soundcastsystems.com

Garantía y Servicio

Garantía para Canadá y Estados Unidos

Soundcast Systems garantiza al usuario final ("Cliente") que el equipo se encuentra libre de defectos tanto en materiales como en mano de obra, bajo uso normal y servicio, por un periodo de uno (1) año desde el día de compra a Soundcast o a un proveedor autorizado por Soundcast.

La única obligación de Soundcast Systems expresada en esta garantía debe ser, a su conveniencia y costo, el reparar el producto o parte defectuosa y entregar al cliente un producto equivalente en parte o reemplazo del objeto defectuoso. Todos los productos que son reemplazados serán propiedad de Soundcast Systems. Los productos de reemplazo podrán ser nuevos o reconstruidos. Soundcast Systems garantiza cualquier reemplazo o producto reparado por un periodo de noventa (90) días a partir del día de envío, o el resto del periodo inicial de garantía, cual fuera mayor de ellos.

En ningún caso se responsabilizará a Soundcast por daños a cualquier equipo de audio que haya sido conectado, incluyendo el iPod, como resultado de mal uso, abuso, negligencia, instalación inapropiada o pruebas, aplicaciones no específicas, modificaciones o alteraciones o mal manejo con productos Soundcast.

Si necesita un servicio en garantía para sus productos Soundcast

Todas las devoluciones en garantía deberán ser enviadas al centro de servicios y reparación de garantía de Soundcast, con el flete prepagado, por medio del vendedor original, y el producto deberá ser acompañado por una copia del recibo original de compra. Las devoluciones directas de los compradores, también serán aceptadas, pero solo si son acompañadas de un número de "Autorización de Regreso de Mercancía" (RMA) emitido por Soundcast previo a cualquier envío de mercancía al centro de reparación y servicios en garantía de Soundcast. Las unidades enviadas a Soundcast sin un número de RMA podrán ser rechazadas o sujetas a retrasos considerables. Por favor envíe el equipo a Soundcast con su previa autorización dentro de los siguientes 15 días de emisión del RMA. Reemplazos o unidades reparadas le serán enviadas con cargo a Soundcast. Cualquier unidad recibida libre de defectos le será regresada a costa suya. Soundcast Systems le proporcionará la dirección apropiada para el envío cuando sea emitido el RMA. No envíe su unidad defectuosa directamente a Soundcast Systems.



SOUNDCAST
Para servicio de garantía contacte a:
Soundcast Systems
San Diego, California
US only 1-800-722-1293
www.soundcastsystems.com
customersupport@soundcastsystems.com

iPod es una marca registrada de Apple Computer, Inc. registradas en los EE.UU. y otros países.

Garantie

Garantie pour les Etats-Unis et le Canada

Soundcast Systems certifie à l'utilisateur ("Client") le fonctionnement sans défaut (pièces et main d'oeuvre) de l'appareil en utilisation et en fonctionnement normal, pour la durée suivant à compter de la date d'achat auprès de Soundcast ou d'un revendeur agréé: Un (1) Ans.

La seule obligation de Soundcast Systems au titre de cette garantie expresse sera, à sa discrétion et à ses frais, de réparer l'appareil ou le composant défectueux de celui-ci, de fournir au client un produit ou un composant équivalent en remplacement de l'article défectueux. Tous les produits remplacés deviendront la propriété de Soundcast Systems. Les produits de rechange pourront être neufs ou reconditionnés. Soundcast Systems garantit tout produit ou pièce remplacé ou réparé pendant une période de quatre-vingt-dix (90) jours à compter de la date d'expédition ou pour la durée restante de la période initiale de garantie, la période retenue étant la plus longue de deux. En aucun cas, Soundcast ne saurait être tenu responsable des dommages causés à un équipement audio connecté, y compris l'iPod, qui résulteraient d'un usage abusif, d'une mauvaise utilisation, d'une négligence, d'une installation ou d'essais mal conduits, d'une mise en oeuvre non spécifiée par le fabricant, d'une modification, d'un changement ou du démontage non autorisé d'un appareil de Soundcast.

Pour faire jouer la garantie sur les produits Soundcast

Tous les retours sous garantie devront être renvoyés en port payé au Centre de service pour les réparations sous garantie de Soundcast par l'intermédiaire du revendeur ayant vendu l'appareil et devront être accompagnés d'une copie du justificatif d'achat de l'appareil. Les retours directs par les acheteurs seront également acceptés, mais seulement s'ils sont accompagnés d'un Numéro de Retour d'autorisation de marchandises (RMA) fourni par Soundcast à l'avance avec tout envoi au Centre de réparation sous garantie de Soundcast. Les appareils retournés à Soundcast sans un Numéro de Retour RMA pourront être refusés ou traités avec un délai plus long. Prière de retourner le produit sous garantie retourné avec autorisation à Soundcast dans un délai maximum de 15 jours de la date d'établissement du n° RMA. Les appareils réparés ou remplacés seront expédiés aux frais de Soundcast. Tous les appareils retournés ne présentant aucune déficience seront renvoyés au client en port dû à l'arrivée. Soundcast Systems vous indiquera l'adresse du centre auquel renvoyer votre appareil défectueux lors de la remise du Numéro RMA. Les clients ne doivent pas retourner les appareils défectueux sous garantie directement à Soundcast Systems.



SOUNDCAST
Adresse de contact pour la garantie:
Soundcast Systems
San Diego, California
US only 1-800-722-1293
www.soundcastsystems.com
customersupport@soundcastsystems.com

iPod est une marque déposée de Apple Computer, Inc aux Etats-Unis et d'autres pays.