

Extra-Small Receiver Installation

Read this manual carefully before installing any transmitter or receiver. Complete the programming procedure before installing the receiver in its final location. The installer will need to have access to the receiver's programming button and must be able to view the receiver's LED light during the programming process.

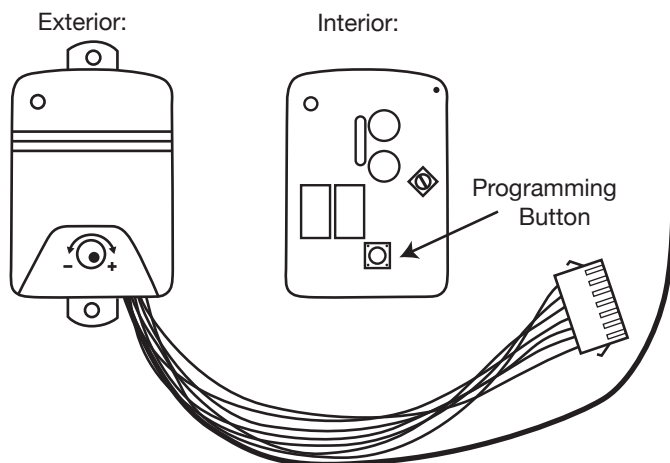
System

The Extra-Small Transmitters and Receivers operate at 433.92 MHz and use code-hopping technology. The receiver will only operate with learned transmitters' signal (see programming transmitter instructions).

Installation

NOTE: Complete the programming instructions before installing the receiver in its final location.

Install the receiver in a location so that the antenna is not surrounded by metal. Metal may cause a reduction in range and inconsistency of signal reception. Door operator motors and power supplies may also cause radio frequency interference. If the receiver is installed in a metal enclosure, drill a hole in the enclosure and thread as much of the antenna as possible through the hole. This will reduce the effects the metal has on the receiver's reception. The receiver comes equipped with a wiring harness for easy installation.



Receiver Wiring Harness:

Orange Wire: Normally Open Relay Output
Brown wire with White Stripe: Normally Open Relay Output Common Connection
Red Wire: 24VAC|24VDC Power
Black Wire: Ground
Purple Wire: 12 VAC|12VDC Power
Brown Wire: Normally Closed Relay Output Common Connection
Yellow Wire: Normally Closed Relay Output

Programming Instructions:

NOTE: Prior to programming, ensure the receiver's LED light blinks red when power is applied. If the LED is not blinking red, disconnect and then reconnect the power.

Programming transmitter(s) into the receiver's memory:

The receiver can learn up to 12 transmitters. Follow the steps below to program your receiver(s).

1. Press the receiver's programming button for less than 2 seconds and release. The LED should change from blinking red to solid green. The receiver has entered programming mode.
2. Press and release the transmitter once and ensure that the receiver's LED changes to solid red. The receiver is learning the transmitter's code.
3. Wait a few seconds and then press the transmitter button again. The receiver's LED should now blink green several times. It has ended its learning procedure. The LED should now be blinking red.

Programming the receivers output activation time:

When the receiver is activated, its outputs will stay in the minimum activation state for approximately 1.5 seconds (default). This time can be adjusted to stay in the activation state for up to 4 hours. See below to adjust the receiver's output activation time.

1. Press the receiver's programming button for 4 seconds and release. The LED should be solid red. The receiver is in the activation time programming mode.
2. Press and release the transmitter button.
3. When the desired time has elapsed (up to 4 hours) press the transmitter button again. The receiver's LED should blink green several times. When the procedure has ended, the LED should be blinking red.

Deleting transmitters from the receiver's memory:

See below to erase the receiver's memory of all previously learned transmitters. NOTE: Deleting previously learned transmitters does not change the receiver's output activation time.

1. Press the receiver's programming button for at least 8 seconds until the receiver's LED starts blinking green, then release the programming button. The LED should now be blinking red.
2. The receiver's memory is now cleared.

Specifications:

Transmitter

Frequency: 433.92 MHz
Dimensions: 1.25 x .875 x .25"
Security Code Method: Code Hopping
Battery Life: 60,000 cycles
Operating Temperatures: -4°F to 122°F

Receiver

Frequency: 433.92 MHz
Dimensions: 2.25 x 1.25 x .75"
Security Code Method: Code Hopping, up to 12 transmitters
Operating Temperatures: -4°F to 122°F
Electrical Rating: 100,000 cycles at 2 Amps. 24 VDC/120 VAC
Input Power: 24 VAC, 24 VDC or 12 VAC, 12VDC
Output: 2 relay outputs: 1 NO 1 NC

FCC ID: SU7TRADCS433

This device complies with Part 15 of the FCC Rules.
Operation is subject to the following two conditions:
(1) This device may not cause harmful interference, and
(2) this device must accept interference received, including interference that may cause undesired operation.
Changes or modifications not expressly approved by the party responsible for compliance could void the user's authority to operate the equipment.



7380 S. Eastern Avenue, Suite 124-320 • Las Vegas, NV 89123
(866) 975-0101 * (866) 975-0404 Fax
www.transmittersolutions.com