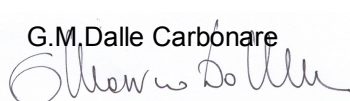


TECHNICAL CONSTRUCTION FILE

PRODOTTO <i>(Product)</i>	Marchio <i>(Brand)</i>	TRANSMITTER SOLUTIONS		
	Serie <i>(Serie)</i>	KEYPAD DOLPHIN		
	Modello <i>(Types)</i>	KPD2641C6P		
DOCUMENTO <i>(Document)</i>	TCF-160	FILE	D:\Prodotti\Tastiere Dolphin\Dolphin 6ch proximity\TCF-160.doc	
N° PAGINE <i>(Page Number)</i>	23	ALLEGATI <i>(Attachments)</i>		0
DATA DI RILASCIO <i>(Date of issue)</i>	30/7/2015		REVISIONE <i>(Revision)</i>	0
Realizzato <i>(Performed)</i> G.M.Dalle Carbonare 	Verificato <i>(Verified)</i> L. Braido 	Approvato <i>(Approved)</i> G.M.Dalle Carbonare 		

SUMMARY

1.0	Introduction	3
2.0	Technical characteristics	4
3.0	System components	4
4.0	Description	7
5.0	Schematic block diagram	9
6.0	Reference regulations	10
7.0	Electrical diagrams	11
8.0	Component Layout.....	15
9.0	Component list.....	17
10.0	PCB Boards	18
11.0	PHOTOS.....	21

1.0 Introduction

The keypad DOLPHIN type KPD2641C6P is an encoded radio keypad operating at 433,92 Mhz in AM/ASK.

Best use of the product is to control: gates, garage doors, rolling shutters, sun-blinds, anti-burglar appliances, lightings, etc.

The code has a very high security encoding system (KeeLoq® Hopping code).

The code sent by the transmitter changes at every activation, avoiding any scanning and copying risk.

A special algorithm allows keeping synchronized transmitter and receiver.

The radio transmission is enabled only after the dialing of a security user code.

There are 6 different channels 1-2-3-4-5-6, that can activate many receivers or relays.

The internal memory can store up to 22 different security user codes and 1 Master code.

The appliance is equipped with a very sensitive proximity sensor, which turns on the backlight, allowing a comfortable dialing of the code. As long as your hand remains next to the keypad the backlight stay on.

The product fully complies with the FCC cfr 47 part 15.

1.1 Product references

BRAND : Transmitter Solutions

SERIES : KEYPAD DOLPHIN

TYPES : KPD2641C6P

MANUFACTURER : CDVI WIRELESS S.p.A.
Via Piave, 23
I-31020 S.PIETRO DI FELETTO (TV)
ITALY
Tel: +39-0438-450860 Fax: +39-0438-455628

CONTACT : Ing. G. Massimo Dalle Carbonare – Product Manager

2.0 Technical characteristics

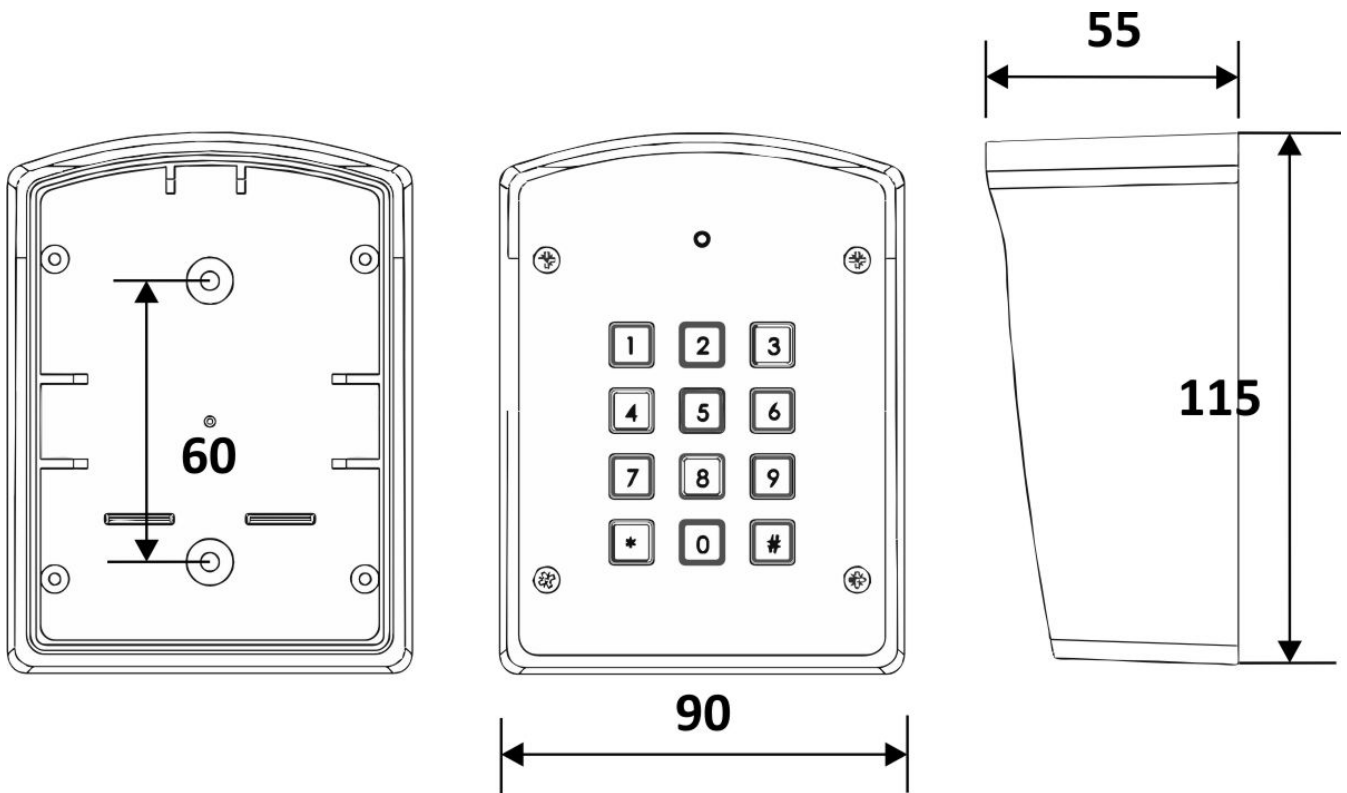
Number of keys:	12
Number of channels:.....	6
Supply:	3,6 Vdc
Battery duration:	about 30 months (with 30 activations / day)
Battery type:	Lithium LS14505
Current consumption:	
Sleep mode	22 μ A
Transmission	30 mA
Carrier frequency:	433,920 MHz
Modulation:	AM/ASK
E.r.p.(rated):	5 - 10 μ W
Modulating signal frequency:	834 bit/sec
Dynamic code system.....	Keeloq® Hopping code
Security Code combinations number:	2exp64
User security code number:	22
Master security code.....	1
Range in open space:.....	from 50 to 100 m
Operating temperature:	from -10 °C to +55 °C
Dimensions:	115 x 90 x 55 mm
Weight:	210 gr
IP Protection Grade:	IP54
Buzzer	

3.0 Mechanical drawings

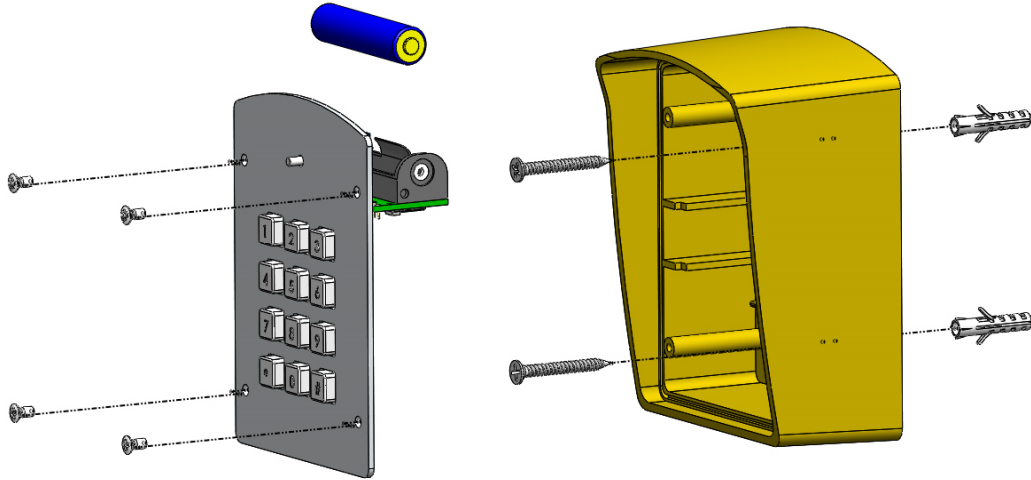
3.1 External view



3.2 Dimensions



3.3 Internal exploded view



4.0 Description

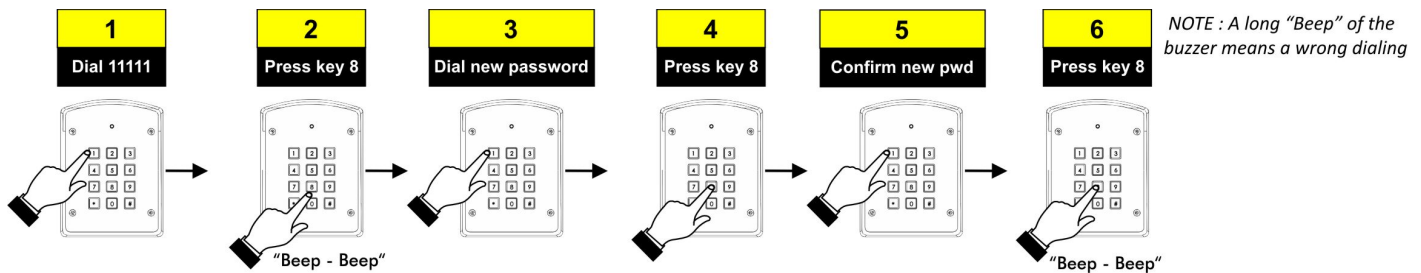
4.1 Master password

The keypad has a Master Password factory-set to “11111”. No radio signal can be transmitted until the Master default Password hasn’t been changed. The Master Password and the User code can have up to 5 digits. If the chosen string is shorter than 5 digits, press the key “#” after the last digit, to complete the number, as indicated below:

Example 1 : User code 123 - Dial: 1,2,3,#.

Example 2 : User code 1234 - Dial: 1,2,3,4,#.

Change master password

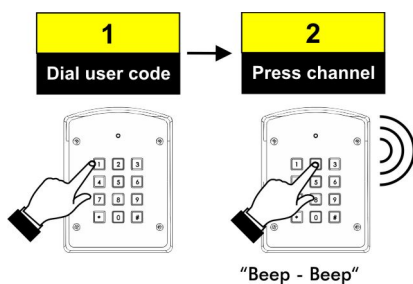


NOTE :

After 8 wrong dials of the master Password, the system disables the password and requests the dialing of the PUK code (Password Unblocking Key)
 The procedure can be followed even if the Master Password is lost, in order to reset the security factory configuration.

4.2 Transmission

For the transmission, first dial the User Code (not the Master Password) and then press the key to activate (1 , 2, 3, 4, 5, 6)



During the transmission the LED blinks and the buzzer sounds a “Beep - Beep”

EXAMPLE:

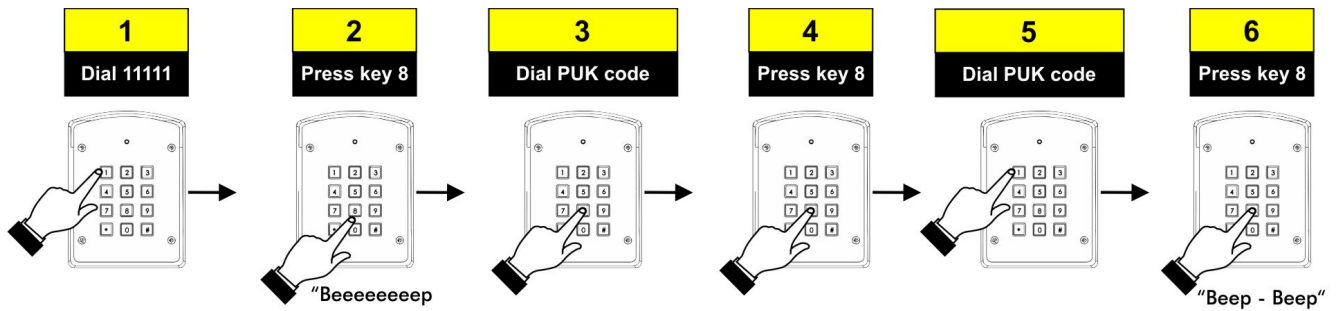
User password = 12345

Channel 1.

Dial : 123451

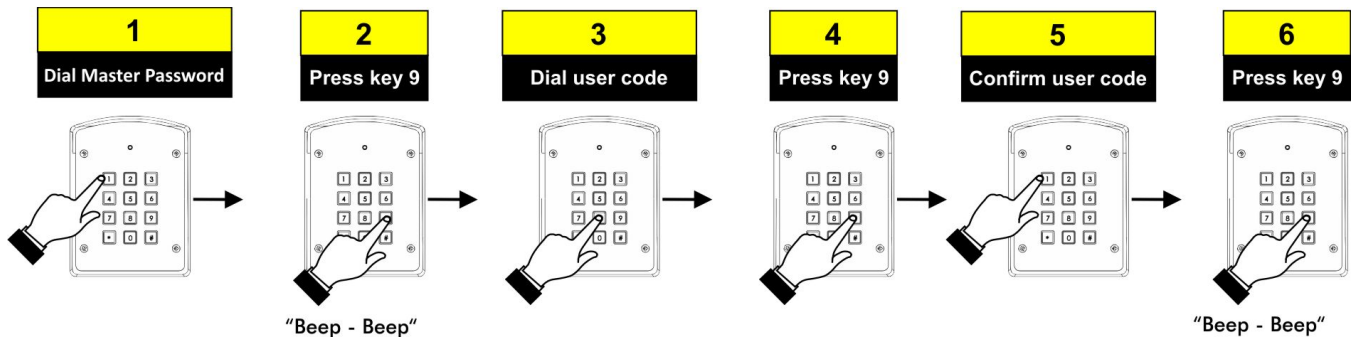
NOTE : The key “*” cancels the dialing; the key “ # “ repeats the last command (within 20 sec.)

4.3 Unblocking master password



The PUK code is given in the product packaging.

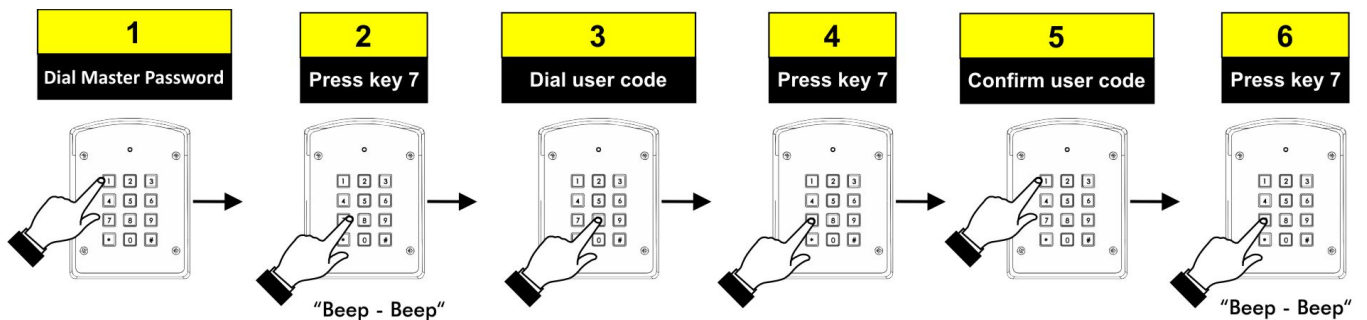
4.4 Add user code



Each user can access to the transmitter by dialing his own code. For this procedure you need to know the Master Password

4.5 Delete user

Follow the following procedure to cancel a user code .



In this case you need to know the Master Password and the User Code to cancel

The device is approved by the FCC and it complies with Part 15 of the FCC Rules.

Its operation is subject to the following 2 conditions:

1. This device may not cause harmful interference.
2. The device must accept any interference that may cause undesired operation.