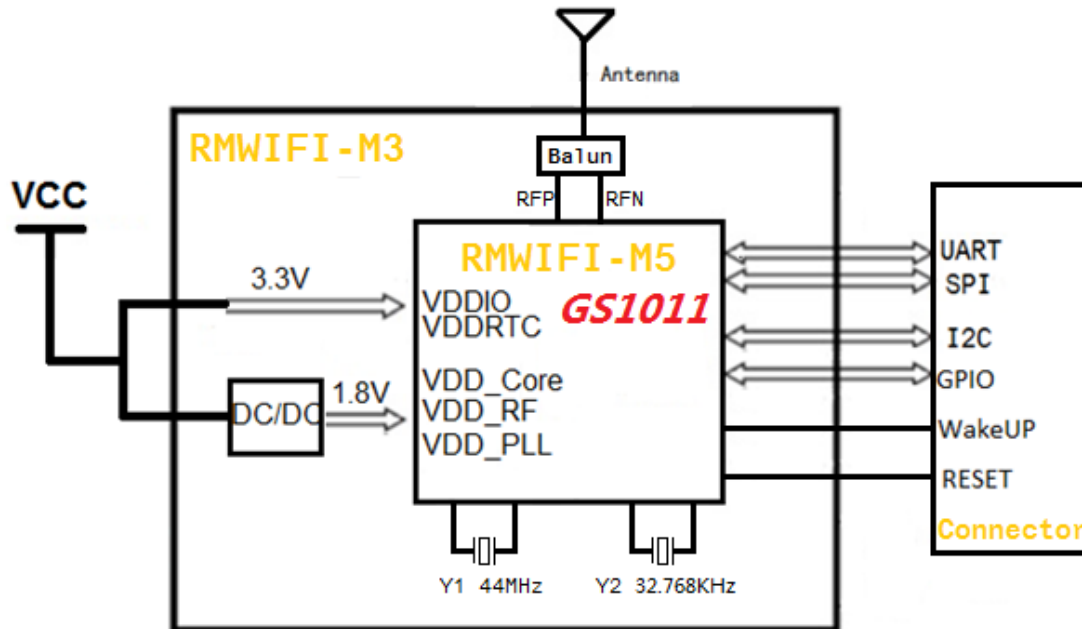


SU3RMWiFi Block



RMWIFI-M3 operates in the unlicensed 2.4 radio bands IEEE 802.11b, which supports Direct Sequence Spread Spectrum (DSSS) 1 Mb/s and 2 Mb/s data rates, and Complementary Code Keyed (CCK) 5.5 Mb/s and 11 Mb/s data rates.

RMWIFI-M3 is based on RMWIFI-M5 module, which contains GS1011 WIFI system-on-chip. The GS1011 have fully integrated RF Transceiver, low power PA and application processor. Both TX and RX chain in the module incorporate internal power control loops.

RMWIFI-M3 carries onboard single supply monitor for 1.8V voltage supply with optional module controlled external regulator enable control pin (DC_DC_CNTL).