

**RAE SYSTEMS INC.**

**PAGE 1 OF 1**

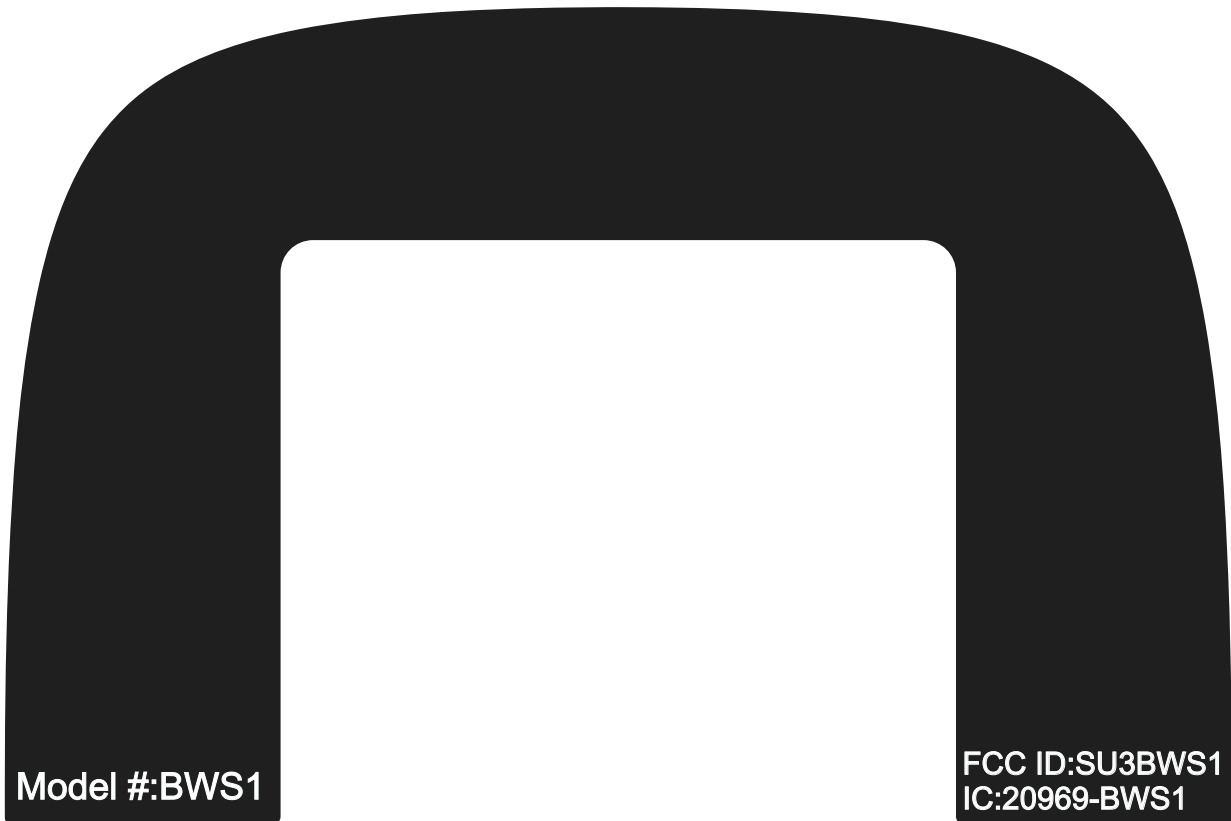
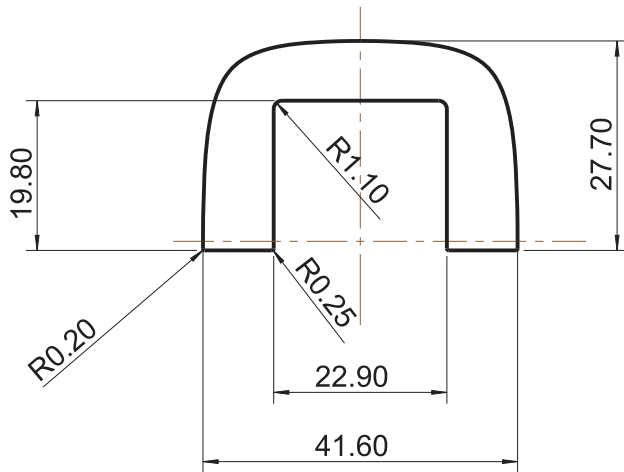
TITLE: LABEL OF BATTERY COVER FOR ALLIGATOR CLIP,CLYDESDALE

PART NO:G05-4005-LBL

DRAWN BY: FengJunjie

REVISION: 1

DATE: 2018-08-14



Label color: Honeywell Grey 85 / R48 G48 B48 / #303030 /NCS S 8500 N

Material Manufacturer: FLEXCON

Product: Thermal Film Select 21830

Surface: anti-static film on top(SciCron ABF-300ESD control film), ESD film

CSA File# 99214

UL File# MH16635CN

REV.	ECO#	CHANGEDBY	DATE	DESCRIPTION

FCC ID:SU3BWS1  
IC:20969-BWS 1

Model #:BWS1

