

**AreaRAEPro**

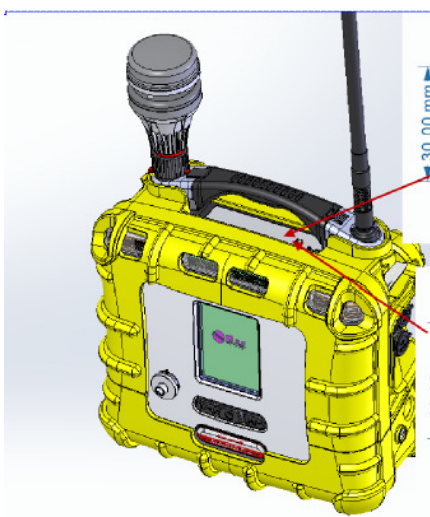
Model: PGM6506A FCC ID: B03-4590A IC: 2006-4590A Contains FCC ID: K1YMM0321TT Contains IC: 2329-AMM0321TT	Model: PGM6506D FCC ID: B03-4590D IC: 2006-4590D Contains FCC ID: K1YMM0321TT Contains IC: 2329-AMM0321TT
29.70 mm	29.70 mm
64.70 mm	64.70 mm

Model: PGM6506E FCC ID: B03-4590E IC: 2006-4590E	Model: PGM6506B FCC ID: B03-4590B IC: 2006-4590B Contains FCC ID: K1YMM0321TT Contains IC: 2329-AMM0321TT
29.70 mm	29.70 mm
64.70 mm	64.70 mm

**AreaRAEPlus**

Model: PGM6520A FCC ID: B03-4590A IC: 2006-4590A Contains FCC ID: K1YMM0321TT Contains IC: 2329-AMM0321TT	Model: PGM6520D FCC ID: B03-4590D IC: 2006-4590D Contains FCC ID: K1YMM0321TT Contains IC: 2329-AMM0321TT
29.70 mm	29.70 mm
64.70 mm	64.70 mm

Model: PGM6520E FCC ID: B03-4590E IC: 2006-4590E	Model: PGM6520B FCC ID: B03-4590B IC: 2006-4590B Contains FCC ID: K1YMM0321TT Contains IC: 2329-AMM0321TT
29.70 mm	29.70 mm
64.70 mm	64.70 mm



**AreaRAEPro**

30.00 mm

140.00 mm

4-R1.5

**RAE**  
 277N, 1st St, San Jose  
 CA95134 USA

**Multiple Gas Detector PGM-65XX**

CE, FCC, IC, Ex II G, Ex II Gc, Ex II Gc IIC T4 Gc, -20°C to Tamb to 50°C, U=17V, U=24V, P=0.788W, L=10µH, C=1000µF, UI=24V, I=250mA, C1, D1 Div2 Group A, B, C, D, T4, ANSI 12.13.01-2013, C22.2 No.152-M1994

XXXXXXATEXXXXX  
 IECEx XXX XX XXXX

WARNING: Read and understand this instruction manual before operation or servicing.  
 AVERTISSEMENT: Lisez et comprenez le manuel d'instructions avant d'utiliser ou de servir.  
 (1) This device may not cause harmful interference, and  
 (2) this device may accept any interference received, including interference that may cause undesired operation.

**AreaRAEPlus**

30.00 mm

140.00 mm

4-R1.5

**RAE**  
 277N, 1st St, San Jose  
 CA95134 USA

**Multiple Gas Detector PGM-65XX**

CE, FCC, IC, Ex II G, Ex II Gc, Ex II Gc IIC T4 Gc, -20°C to Tamb to 50°C, U=17V, U=24V, P=0.788W, L=10µH, C=1000µF, UI=24V, I=250mA, C1, D1 Div2 Group A, B, C, D, T4, ANSI 12.13.01-2013, C22.2 No.152-M1994

XXXXXXATEXXXXX  
 IECEx XXX XX XXXX

WARNING: Read and understand this instruction manual before operation or servicing.  
 AVERTISSEMENT: Lisez et comprenez le manuel d'instructions avant d'utiliser ou de servir.  
 (1) This device may not cause harmful interference, and  
 (2) this device may accept any interference received, including interference that may cause undesired operation.

