

AreaRAEPro

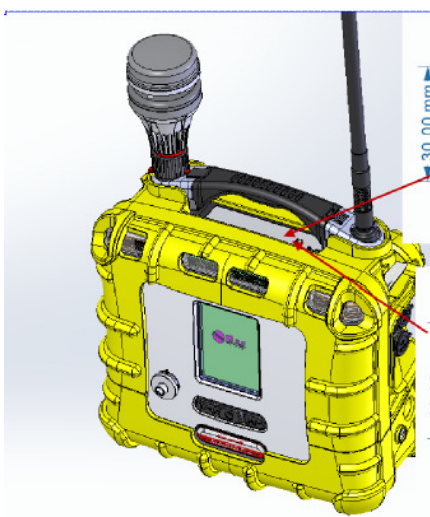
Model: PGM6506A FCC ID: BUL49506A IC: 30966-6506A Contains FCC ID: K1YMM0321TT Contains IC: 23295-AMM0321TT	Model: PGM6506D FCC ID: BUL49506D IC: 30966-6506D Contains FCC ID: K1YMM0321TT Contains IC: 23295-AMM0321TT
29.70 mm	29.70 mm
64.70 mm	64.70 mm

Model: PGM6506E FCC ID: BUL49506E IC: 30966-6506E	Model: PGM6506B FCC ID: BUL49506B IC: 30966-6506B Contains FCC ID: K1YMM0321TT Contains IC: 23295-AMM0321TT
29.70 mm	29.70 mm
64.70 mm	64.70 mm

AreaRAEPlus

Model: PGM6520A FCC ID: BUL49506A IC: 30966-6506A Contains FCC ID: K1YMM0321TT Contains IC: 23295-AMM0321TT	Model: PGM6520D FCC ID: BUL49506D IC: 30966-6506D Contains FCC ID: K1YMM0321TT Contains IC: 23295-AMM0321TT
29.70 mm	29.70 mm
64.70 mm	64.70 mm

Model: PGM6520E FCC ID: BUL49506E IC: 30966-6506E	Model: PGM6520B FCC ID: BUL49506B IC: 30966-6506B Contains FCC ID: K1YMM0321TT Contains IC: 23295-AMM0321TT
29.70 mm	29.70 mm
64.70 mm	64.70 mm



AreaRAEPro

30.00 mm

140.00 mm

4-R1.5

<p>RAE P T S I 2776 N. 1st St., San Jose CA 95134 USA</p>	<p>Multiple Gas Detector PGM-65XX</p> <p>CE</p> <p>XXXX XXATEXXXX IECEx XXX XX XXXX</p> <p>Ex nA [Ic G] IC T4 Gc -20°C to Tamb to 50°C Um: 17V UI: 24V, Po: 750mW, Li: 150mAh, Co: 1000mAh UI: 24V, I: 250mA</p> <p>UL1012 Group A, B, C, D, T4 ANSI 12.13.01-2013 C22.2 No. 152-M1994</p>	
---	---	--

This device is compliant with part 15 of the FCC Rules. Operation is subject to the following two conditions:
(1) This device may not cause harmful interference, and
(2) this device must accept any interference received, including interference that may cause undesired operation.

AreaRAEPlus

30.00 mm

140.00 mm

4-R1.5

<p>RAE P T S I 2776 N. 1st St., San Jose CA 95134 USA</p>	<p>Multiple Gas Detector PGM-65XX</p> <p>CE</p> <p>XXXX XXATEXXXX IECEx XXX XX XXXX</p> <p>Ex nA [Ic G] IC T4 Gc -20°C to Tamb to 50°C Um: 17V UI: 24V, Po: 750mW, Li: 150mAh, Co: 1000mAh UI: 24V, I: 250mA</p> <p>UL1012 Group A, B, C, D, T4 ANSI 12.13.01-2013 C22.2 No. 152-M1994</p>	
---	---	--

This device is compliant with part 15 of the FCC Rules. Operation is subject to the following two conditions:
(1) This device may not cause harmful interference, and
(2) this device must accept any interference received, including interference that may cause undesired operation.

Model: PGM-6560B
 FCC ID: SU3-6560B
 IC: 20969-6560B
 Contains FCC ID: KNYAMI0032AT
 Contains IC: 2329B-GXM24

64.70mm

29.70mm

Model: PGM-6520B
 FCC ID: SU3-6560B
 IC: 20969-6560B
 Contains FCC ID: KNYAMI0032AT
 Contains IC: 2329B-GXM24

64.70mm

29.70mm

30.00 mm

RAE SYSTEMS
 3775N. 1st. St., San Jose
 CA95134, USA

Multiple Gas Detector PGM-65XX

CE Ex II 3G Ex nA [ic Gc] IIC T4 Gc -20°C ≤ Tamb ≤ 50°C

Um:17V Uo:5.2V, Po:0.788W, Lo:198uH, Co:1000uF
 Ji:24V, li:250mA

CI. I Div2 Group A,B,C,D T4
 ANSI 12.13.01-2013
 C22.2 No152-M1984

WARNING: Read and understand instruction manual before operation or servicing.
 AVERTISSEMENT: Lisez et comprenez le manual d'instructions avant d'utiliser ou service.

This device complies with part 15 of the FCC Rules. Operation is subject to the following two conditions:
 (1) This device may not cause harmful interference, and
 (2) this device must accept any interference received, including interference that may cause undesired operation.

140.00 mm