

**AreaRAEPro**

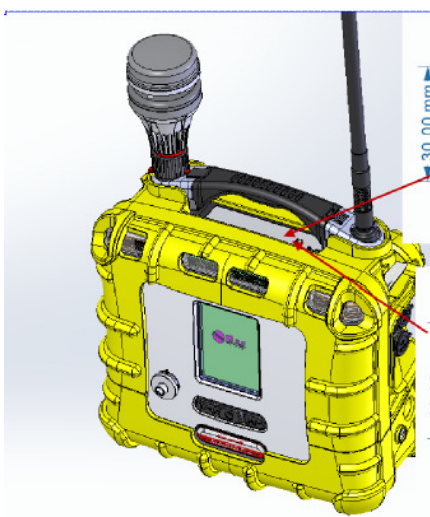
Model: PGM6506A FCC ID: 3026-6506A IC: 3026-6506A Contains FCC ID: K1YMM0321TT Contains IC: 2329-AMM0321TT	Model: PGM6506D FCC ID: 3026-6506D IC: 3026-6506D Contains FCC ID: K1YMM0321TT Contains IC: 2329-AMM0321TT
29.70 mm	29.70 mm
64.70 mm	64.70 mm

Model: PGM6506E FCC ID: 3026-6506E IC: 3026-6506E	Model: PGM6506B FCC ID: 3026-6506B IC: 3026-6506B Contains FCC ID: K1YMM0321TT Contains IC: 2329-AMM0321TT
29.70 mm	29.70 mm
64.70 mm	64.70 mm

**AreaRAEPlus**

Model: PGM6520A FCC ID: 3026-6520A IC: 3026-6520A Contains FCC ID: K1YMM0321TT Contains IC: 2329-AMM0321TT	Model: PGM6520D FCC ID: 3026-6520D IC: 3026-6520D Contains FCC ID: K1YMM0321TT Contains IC: 2329-AMM0321TT
29.70 mm	29.70 mm
64.70 mm	64.70 mm

Model: PGM6520E FCC ID: 3026-6520E IC: 3026-6520E	Model: PGM6520B FCC ID: 3026-6520B IC: 3026-6520B Contains FCC ID: K1YMM0321TT Contains IC: 2329-AMM0321TT
29.70 mm	29.70 mm
64.70 mm	64.70 mm



**AreaRAEPro**

30.00 mm	<b>RAE</b> RAYSON ELECTRONICS 2776 N. 161st, Suite 400 CARBONIA, USA	<b>Multiple Gas Detector PGM-65XX</b> CE IICG Ex nA [Ic G] IC T4 Gc Um: 17V UI: 24V, P: 0.788W, L: 10µH, C: 1000µF UI: 24V, I: 250mA ANSI 12.13.01-2013 C22.2 No.152-M1994	4-R1.5
140.00 mm			

**AreaRAEPlus**

30.00 mm	<b>RAE</b> RAYSON ELECTRONICS 2776 N. 161st, Suite 400 CARBONIA, USA	<b>Multiple Gas Detector PGM-65XX</b> CE IICG Ex nA [Ic G] IC T4 Gc Um: 17V UI: 24V, P: 0.788W, L: 10µH, C: 1000µF UI: 24V, I: 250mA ANSI 12.13.01-2013 C22.2 No.152-M1994	4-R1.5
140.00 mm			

