

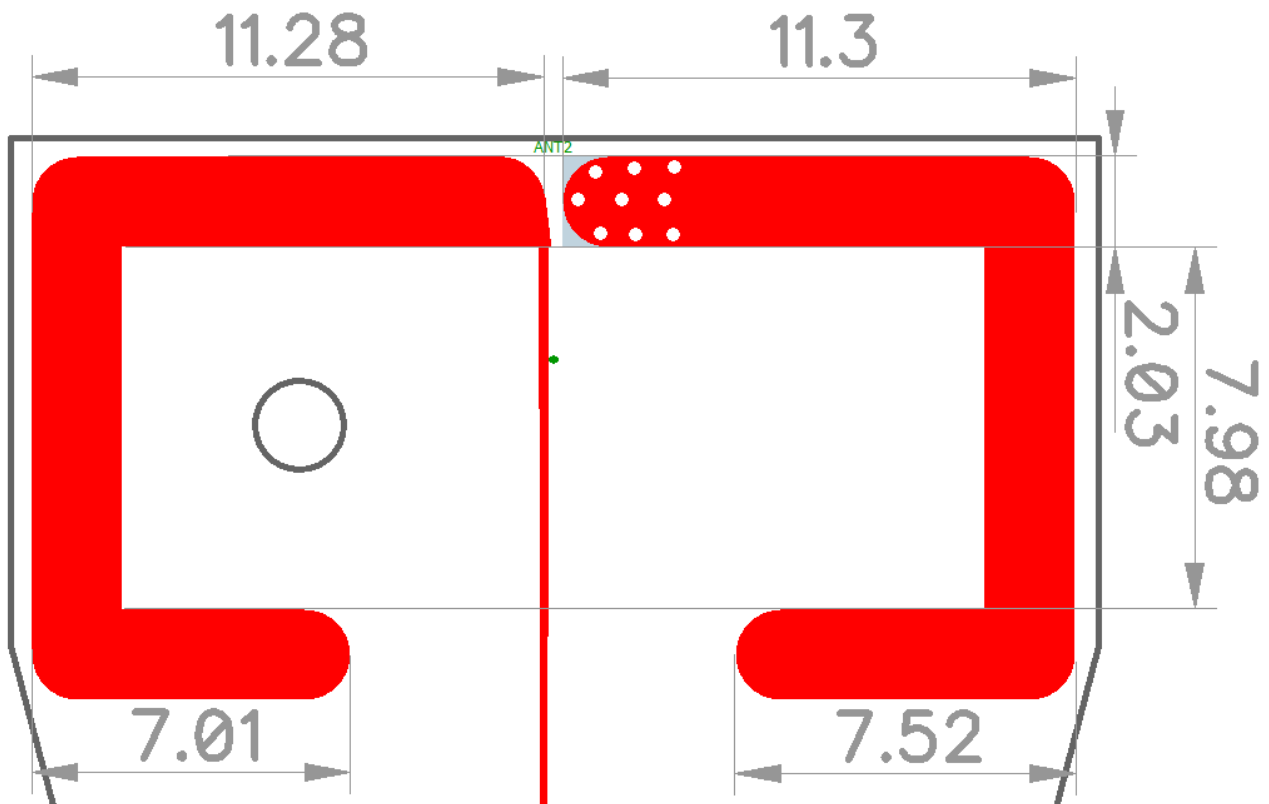
Antenna Describe

1:Antenna describe:

Antenna Plate	PCB Antenna
Model	DT
Antenna Gain	<1.7dbi
Frequency Range	2400~2484MHZ
Connect Type	Direct
Company Name	Everestek inc. 2F.-1, No. 5, Tai-Yuen 1st St., Zhubei City, Hsinchu County

2:External view drawing

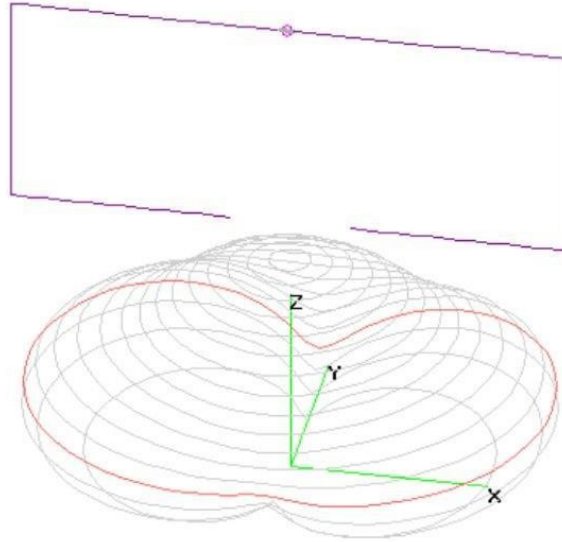
Picture of Antenna



Everestek 2.4GHz DT Module

CT-2400MHz-3D-HPlane

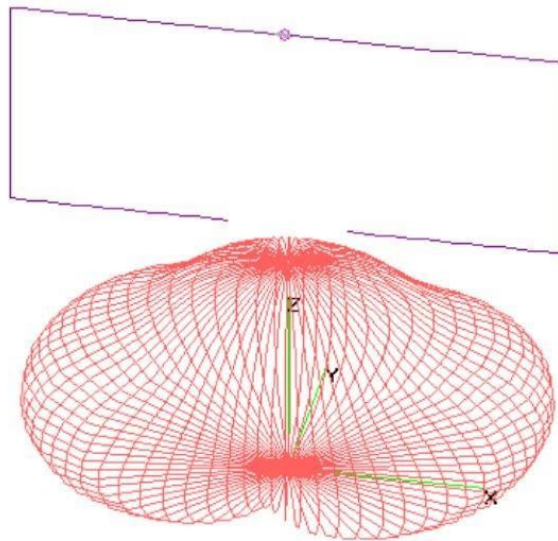
TMODULE2.out Tot-gain 2400 MHz



Theta : 59 Axis : 0.02 mtr Phi : 281

CT-2400MHz -3D-VPlane

TMODULE2.out Tot-gain 2400 MHz



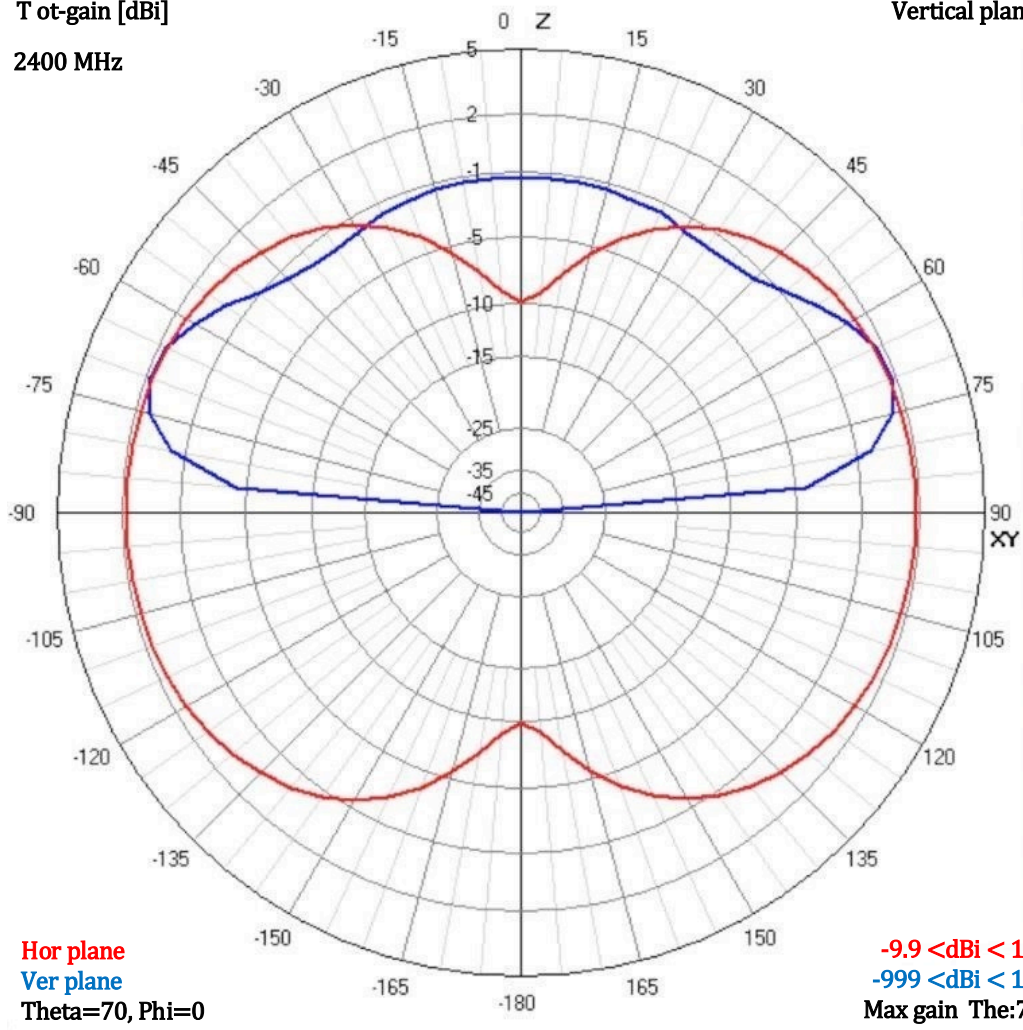
Theta : 59 Axis : 0.02 mtr Phi : 281

CT-2400MHz -VHPlane

Total gain [dBi]

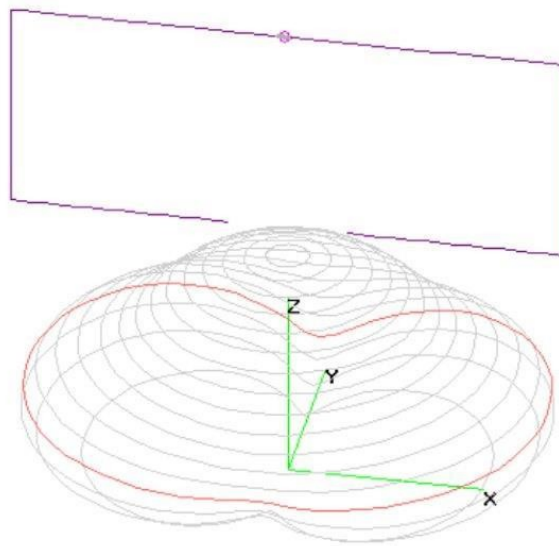
2400 MHz

Vertical plane



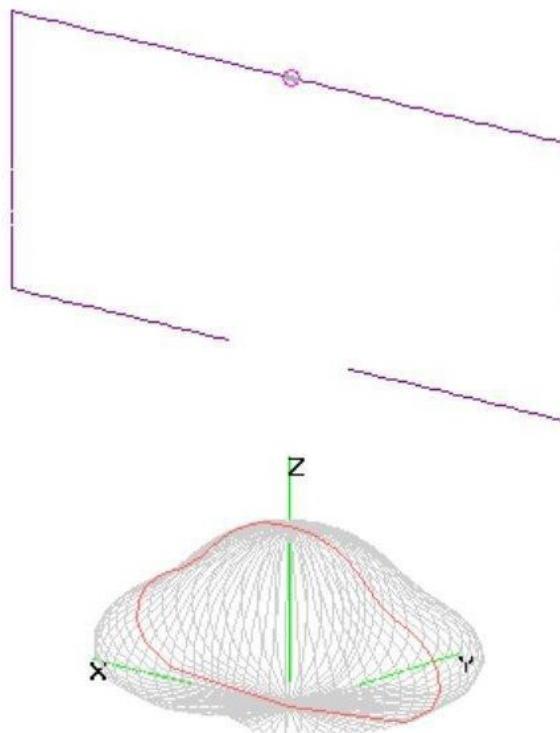
CT-2450MHz -3D-HPlane

TMODULE2.out Tot-gain 2450 MHz



Theta : 59 Axis : 0.02 mtr Phi : 281

CT-2450MHz -3D-VPlane

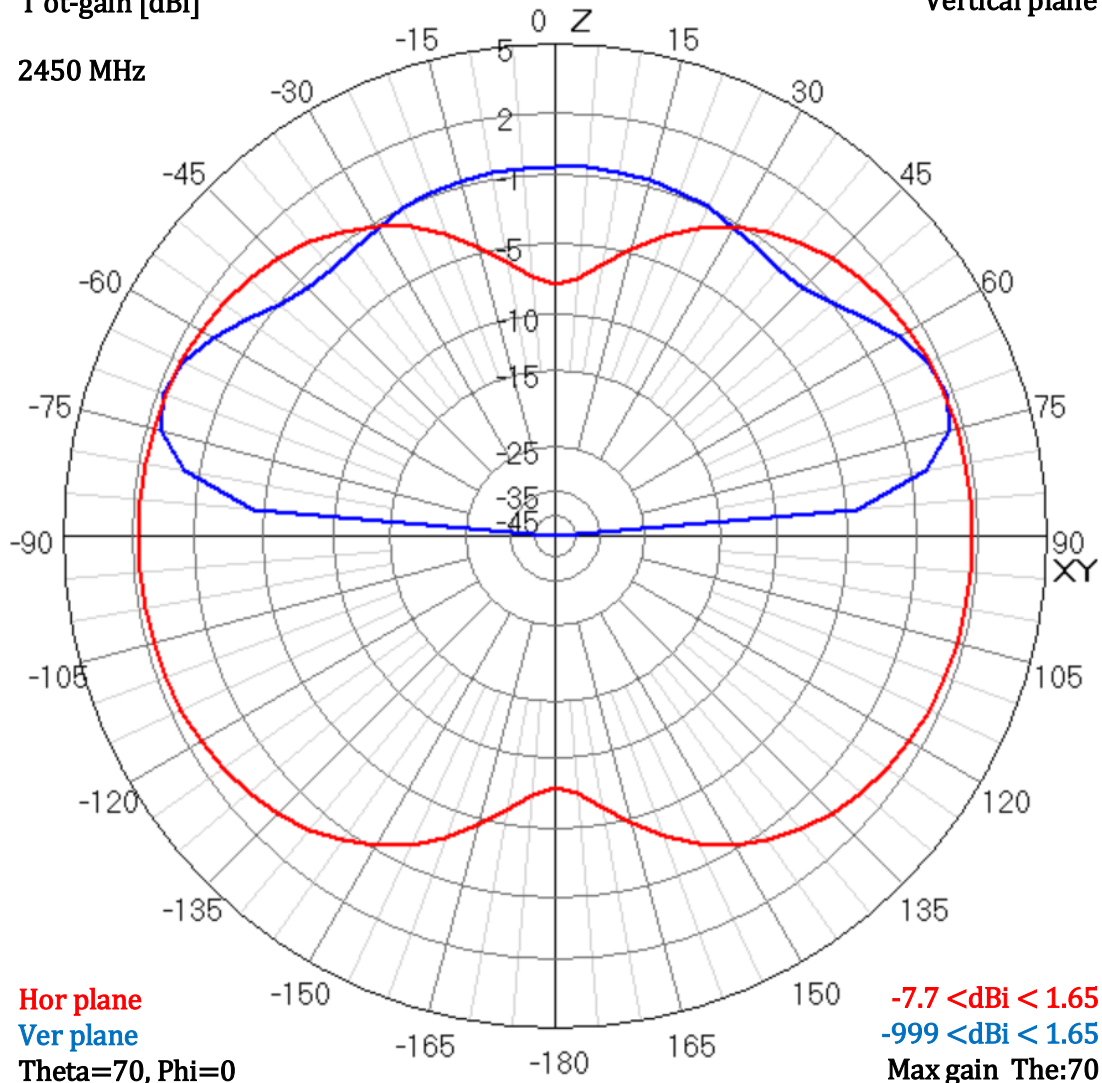


CT-2450MHz -VHPlane

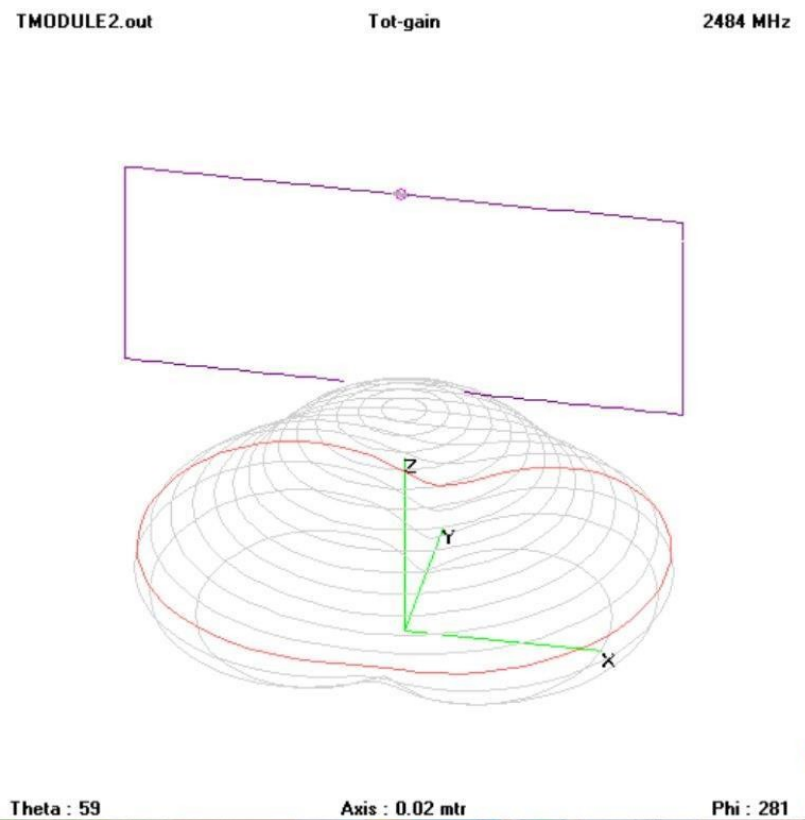
Total-gain [dBi]

Vertical plane

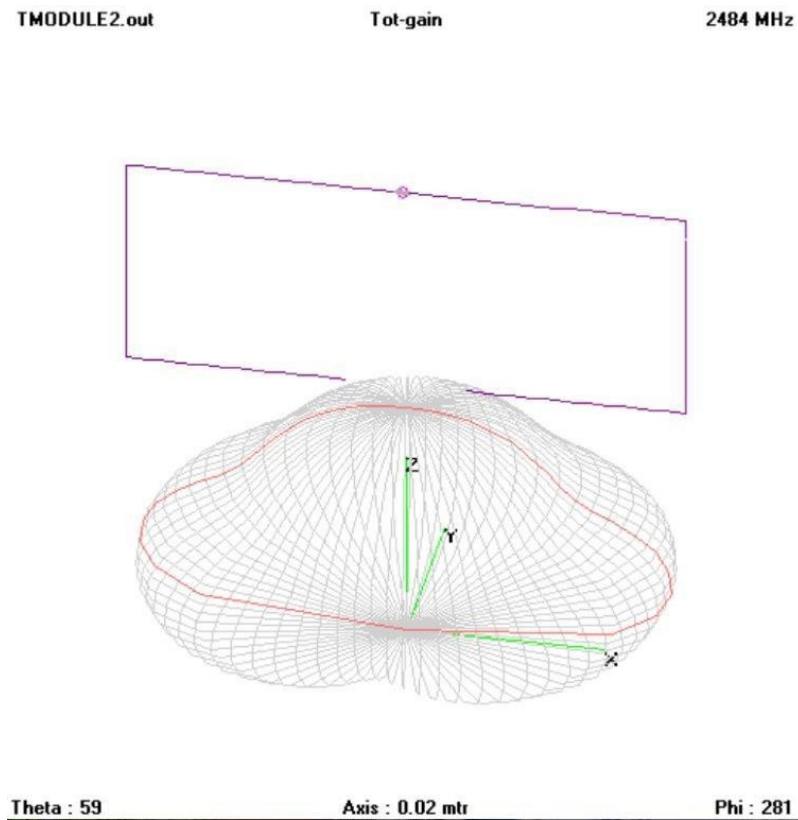
2450 MHz



CT-2484MHz -3D-HPlane



CT-2484MHz -3D-VPlane



CT-2484MHz -VHPlane

Total gain [dBi]
2484 MHz

Vertical plane

