



Model: CM3

Bluetooth wireless sound system with Light show



Instruction Manual

Thank you for purchasing iDance Audio System.

PLEASE READ THIS USER MANUAL COMPLETELY BEFORE OPERATING THIS UNIT AND RETAIN THIS BOOKLET FOR FUTURE REFERENCE.



IMPORTANT SAFETY INSTRUCTIONS

1. Read these instructions.
2. Keep these instructions.
3. Heed all warnings.
4. Follow all instructions.
5. Do not use this apparatus near water.
6. Clean only with a dry cloth.
7. Do not block any ventilation openings. Install in accordance with the manufacturer's instructions.
8. Do not install near any heat sources such as radiators, heat registers, stoves, or other apparatus (including amplifiers) that produce heat.
9. Do not defeat the safety purpose of the polarized or grounding-type plug. A polarized plug has two blades with one wider than the other. A grounding type plug has two blades and a third grounding prong. The wide blade or third prong are provided for your safety. If the provided plug does not fit into your outlet, consult an electrician for replacement of the obsolete outlet.
10. Protect the power cord from being walked on or pinched particularly at plugs, convenience receptacles, and the point where they exit from the apparatus.
11. Only use attachments/accessories specified by the manufacturer.
12. Use only with a cart, stand, tripod, bracket, or table specified by the manufacturer, or sold with the apparatus. When a cart is used, use caution when moving the cart/ apparatus combination to avoid injury from tip-over. Portable Cart Warning.
13. Unplug this apparatus during lightning storms or when unused for long periods of time.
14. Refer all servicing to qualified service personnel. Servicing is required when the apparatus has been damaged in any way, such as power-supply cord or plug is damaged, liquid has been spilled or objects have fallen into the apparatus, the apparatus has been exposed to rain or moisture, does not operate normally, or has been dropped.
15. The apparatus shall not be exposed to dripping or splashing water and no object filled with liquids such as vases shall be placed on the apparatus.
16. The battery shall not be exposed to excessive heat such as sunshine, fire or the like.
17. The MAINS plug is used as disconnect device, which shall remain readily operable.



COMPLIANCE WITH FCC REGULATION

This device complies with Part 15 of the FCC Rules. Operation is subject to the following two conditions:

- (1) this device may not cause harmful interference, and

(2) this device must accept any interference received, including interference that may cause undesired operation.

Note: This equipment has been tested and found to comply with the limits for a Class B digital device, pursuant to Part 15 of the FCC Rules. These limits are designed to provide reasonable protection against harmful interference in a residential installation. This equipment generates, uses and can radiate radio frequency energy and, if not installed and used in accordance with the instructions, may cause harmful interference to radio communications. However, there is no guarantee that interference will not occur in a particular installation. If this equipment does cause harmful interference to radio or television reception, which can be determined by turning the equipment off and on, the user is encouraged to try to correct the interference by one or more of the following measures:

- Reorient or relocate the receiving antenna.
- Increase the separation between the equipment and receiver.
- Connect the equipment into an outlet on a circuit different from that to which the receiver is connected.
- Consult the dealer or an experienced radio/TV technician for help.

FCC RF warning statement: The device has been evaluated to meet general RF exposure requirement. The device can be used in portable exposure condition without restriction.

WARNING

Changes or modifications not expressly approved by the party responsible for compliance could void the user's authority to operate the equipment.

Table of Contents

Your Bluetooth Wireless Sound System	3
Features	
Includes	
Orientation.....	4
Front Features & Controls	
Rear input & Control	
General operation	5
Power connection	
Charging Instructions	
Charging the battery for first time	
Recharging the internal battery	
Battery Note and Care	
Mic connection	
Guitar connection	

Audio Output connection	
Bluetooth operation	6
Pairing a Bluetooth Device for the First Time	
Playing Audio Wirelessly	
USB Player operation	7
Listening to the radio	
Setting the radio station presets	
Auxiliary operation	7
AUX IN Connection	
AUX OUT Connection	
Party Lighting	8
Specifications	8
Trouble Shooting	9

Your Bluetooth Wireless Sound System with Light Show

Features

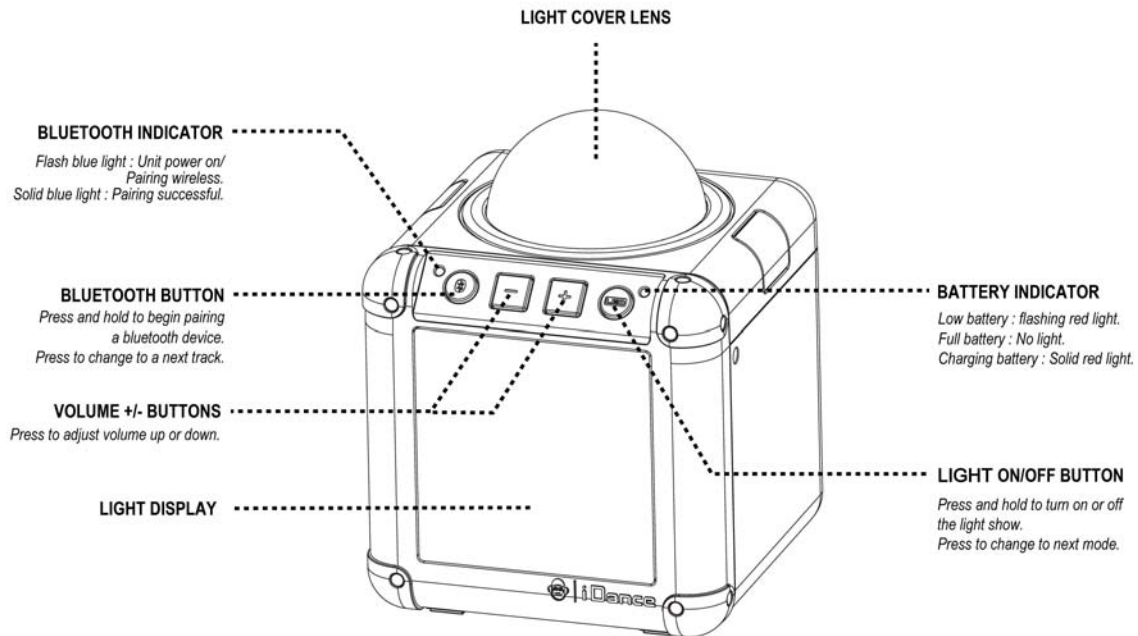
- Supports Bluetooth v2.1
- Supports profile A2DP (Advanced Audio Distribution Profile)
- Supports automatic device pairing
- Wireless range: 33 feet
- USB DC input
- 3.5mm Aux input
- Easy access knob for volume control
- Audio output for external amplifier
- ON/OFF main power switch
- ON/OFF Disco Light switch
- Build-in rechargeable battery
- Build-in speaker
- 3W RMS Power Output

Includes

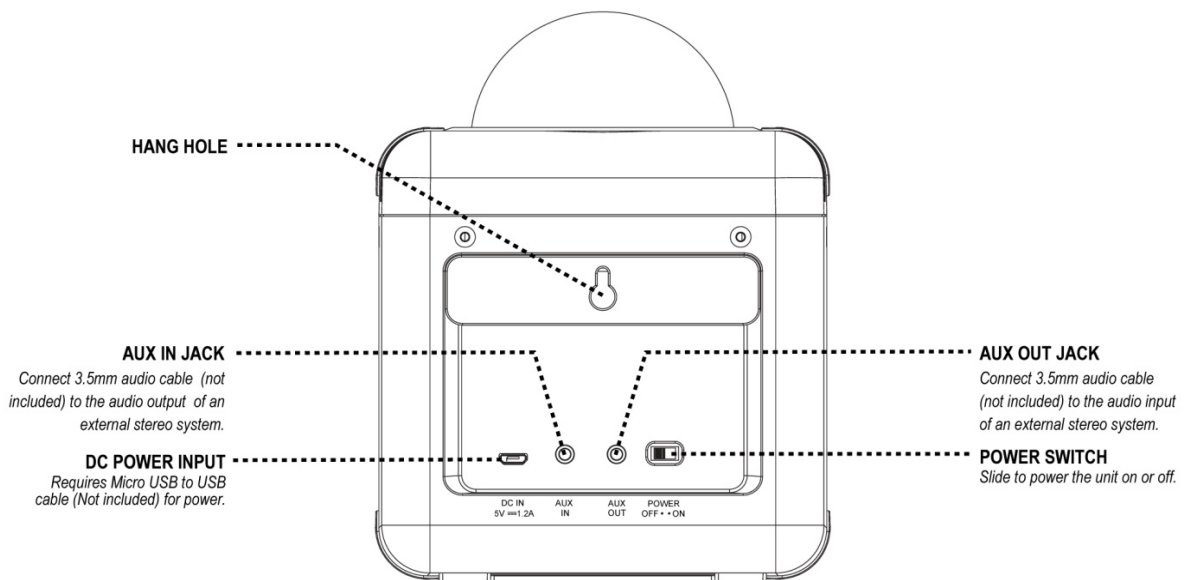
- Micro-USB to USB cable
- User manual

Orientation

Front Features & Controls



Rear input & Controls



General operations

This unit operates on a built-in Li-ion battery that can be recharged either using the USB port on your computer or from a USB power adaptor (not included) with a rated output of DC 5V/1.2A and up.

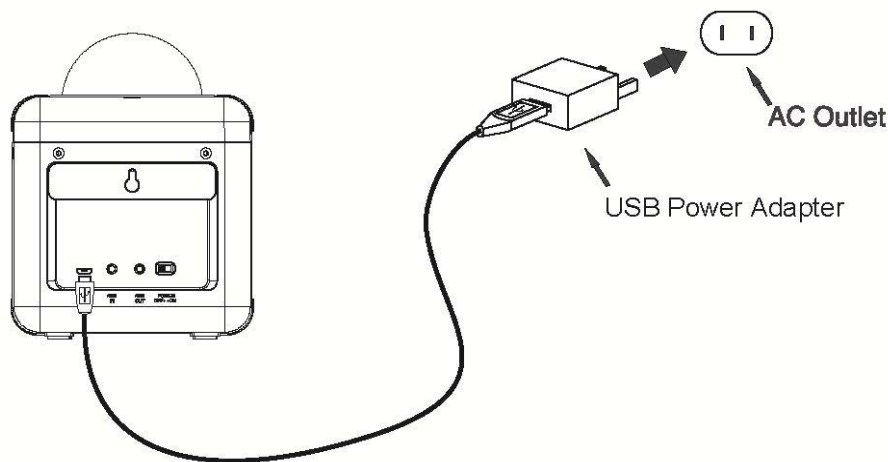
Power Connection

Requires a Micro-USB to USB cable (included)

1. Using a Micro-USB to USB cable (included), connect the larger USB plug to the USB port of a powered on computer or USB power adaptor.

Note: *Be sure the computer is not sleep mode.*

2. Connect the smaller Micro-USB plug into the Micro-USB port of the rear of the unit.
3. Plug the USB power adaptor's AC plugs into an AC outlet.



When the unit is not operated by the AC power or unused for long periods of the time, please remove the power adaptor from the wall outlet and unplug from the main unit.

Charging instructions

This unit operates on a built-in Li-ion battery that can be recharged from the powered on computer or a USB power adaptor (not included) with a rated output of DC 5V/1.2A and up.

CHARGING THE BATTERY FOR FIRST TIME

- 1.) Charge the built-in Li-ion battery a minimum of 8 hours prior to first use.

Connect a Micro-USB to USB cable (see “**Power connection**”) into the main unit and auto to charging the internal Li-ion battery. The **BATTERY INDICATOR** will solid light red while charging.

- 2.) Observe the internal battery charging level by the **BATTERY INDICATOR** when the internal battery charge is low, the **BATTERY INDICATOR** will turn “ON and FLASH” alerting you to recharge the internal battery as soon as possible. The **BATTERY INDICATOR** will turn “OFF” when the unit is fully charged.

RECHARGING THE INTERNAL BATTERY

After prolonged use, the internal battery will become weak and the operation may become intermittent. When the internal battery charge is low, the **BATTERY INDICATOR** will show “ON and FLASH” alerting you to recharge the internal battery as soon as possible.

- Note:**
1. Charging time will vary if you are listening to music while charging the internal battery. We recommend you switch off the unit power during the charging process.
 2. To prolong the life of a rechargeable battery, it is recommended to completely discharge it before fully charging it again.
 3. Rechargeable batteries need to be cycled for maximum performance and longer battery life. If you don't use the player that often, be sure to recharge the battery at least once a month in order to keep the internal battery working properly.



Battery Note and Care

- Do not burn or bury batteries.
- Do not puncture or crush.
- Do not disassemble.
- Do not dispose of batteries in fire, batteries may explode or leak
- Li-ion batteries must be recycled. Do not dispose of in the trash.
- Use only chargers rated for Li-ion cells. Be sure the charger's voltage and current settings are correct for the battery pack being charged.
- Charge batteries on a fireproof surface and away from flammable items or liquids.
- Batteries should NEVER be left unattended while charging. Only adults should charge the batteries.

Follow the manufacturer's instructions for charging the product and do not charge longer than recommended. Unplug the charger when the battery is charged or not in use.

Bluetooth operation

Pairing a Bluetooth Device for the First Time

1. Slide the **POWER ON/OFF** switch on the rear of the unit to ON to turn on the unit. The **PAIR INDICATOR** will light blue and a sound “iDance CUBE mini, Bluetooth on” is heard. The PAIR INDICATOR is flash light and ready to pair (link) with your Bluetooth device.

Make sure no audio cable is connected to AUX IN Jack.

When pairing, remain within 3 feet of the unit.

2. Using the native controls on your Bluetooth device, select the **CM1** in your Bluetooth settings to pair. If your device requests a password, enter the default password “0000”.

Refer to the user's manual for your specific device for instructions on pairing and connecting Bluetooth devices.

3. When successfully paired and connected, a sound “Bluetooth mode” will issue from the unit, the **PAIR INDICATOR** will remain lit.

After initial pairing, the unit will stay paired unless unpaired manually by the user or erased

due to a reset of the device. If your device should become unpaired or you find it is unable to connect, repeat the above steps.

Playing Audio Wirelessly

1. After pairing to a Bluetooth device, use the native controls on the connected Bluetooth Device or press the BLUETOOTH button of the unit to select a track.
2. Play, pause a selected track using the native controls on the connected Bluetooth Device.
3. Audio played through the connected Bluetooth Device will now be heard through the speakers.
4. Press to adjust the volume up or down to obtain the desired volume level.
5. Slide **POWER ON/OFF** switch to turn off the unit.

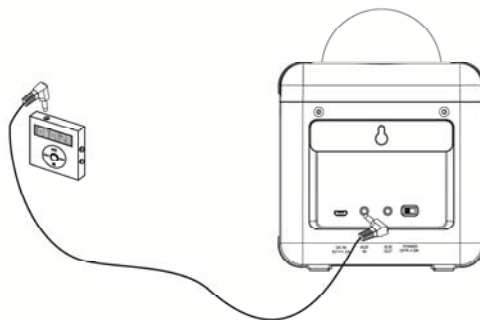
Auxiliary operation

AUX IN Connection

You can play other music sources (iPod, MP3 or other digital audio players) through the speakers of this unit by connecting the **AUX IN** Jack to your external player's audio out jack or headphone jack

1. Plug one end of a 3.5mm audio input cable (not included) into the **AUX IN** Jack on the rear of the unit, and plug the other end of the cable into the audio output on the external music player or other source.
Note: Make sure your external music player is turn ON.
2. Slide the **POWER ON/OFF** switch on the rear of the unit to ON to turn on the unit. **PAIR INDICATOR** will light BLUE and a sound "iDance CUBE mini, Aux mode" is heard.
3. Start playing the device you plugged into **AUX IN** input.
4. Press to adjust the volume up or down to obtain the desired volume level.
5. Slide **POWER ON/OFF** switch to OFF to turn off the unit. Remember to shut down the external player power.

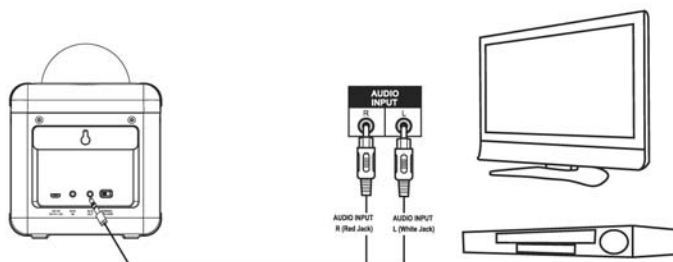
Note: In Bluetooth mode, the audio cable plug into the AUX IN jack, the unit will change to AUX mode automatically.



AUX OUT Connection

Please follow the steps below to connect audio signal from the unit to your home audio system.

1. Locate the multi-colored RCA cables (not included).
2. Connect audio cable's 3.5mm plug to the **AUDIO OUT** jacks of the back side of your unit.
3. Connect the other ends of the audio cable's white and red plugs to the external unit's audio input white and red jacks




Party Lighting

Slide the **POWER ON/OFF** switch on the rear of the unit to ON to turn on the unit and the party light Show. Press and hold the LIGHT button to turn off the light show, press and hold again to turn on the light show. If you are change the mode of light show, press the Light button.

Specification

Power Requirement:

Power Source: DC 5V  1.2A (Micro USB)

Battery: Build-in rechargeable lithium battery

Bluetooth: Bluetooth Specification version 2.1
Support profile A2DP

Audio Power output: 3 W (RMS)

Speaker: 2 Ohms. 3" inch.

Dimensions: 16.7 cm(H) x 12.8 cm(W) x 13.2 cm(D)

Weight: 0.51 Kg.

Trouble Shooting

PROBLEM	POSSIBLE CAUSE	REMEDY
GENERAL		
No Charging	<p>The USB power adaptor (not included) is not plugged into a wall outlet or the USB cable (include) is not plugged into the mini USB jack on the unit.</p> <p>Wall outlet is not functioning.</p> <p>Computer USB port is not functioning.</p>	<p>Plug the USB power adaptor (not included) into a wall outlet and plug the USB cable (included) into the mini jack on the unit.</p> <p>Plug another device into the same outlet to confirm the outlet is working.</p> <p>Make sure your computer power is turned on and try another USB port.</p>
No Sound	<p>The unit battery is exhausted.</p> <p>Volume set too low.</p>	<p>Recharge the unit battery.</p> <p>Press the volume+ button to increase the sound level.</p>
The unit does not to operation of any button.	Under the influence of electrostatic phenomenon, the product may malfunction and require user to reset the unit.	Slide the POWER switch to turn off 10 seconds to reset the unit.
BLUETOOTH		
No sound when playing audio via Bluetooth	<p>Your Bluetooth device has been paired properly.</p> <p>The unit placement out of range.</p> <p>The volume control of your Bluetooth device is set at too low.</p> <p>The volume control of the unit is set at too low.</p>	<p>Pairing your Bluetooth device according to the “Pairing a Bluetooth Device for the First Time” section.</p> <p>Relocate the unit within Bluetooth operating range (30 feet).</p> <p>Increase the volume of your Bluetooth device.</p> <p>Increase the volume of the unit to press to your wish..</p>
AUXILIARY		
No sound in AUX mode	<p>Volume at minimum.</p> <p>External device not connected properly</p>	<p>Adjust the volume knob.</p> <p>Clear contacts pins and connect again.</p>